



US00D412254S

**United States Patent** [19]  
**Gower**

[11] **Patent Number: Des. 412,254**  
[45] **Date of Patent: \*\* Jul. 27, 1999**

[54] **DINING TABLE**

**OTHER PUBLICATIONS**

[75] Inventor: **Andrew Gower**, Berkeley, Calif.

Smith and Hawken, p. 33, Sussex table.

[73] Assignee: **Kingsley-Bate Co. Ltd.**, Fairfax, Va.

*Primary Examiner*—Janice E. Seeger  
*Attorney, Agent, or Firm*—John M. Harrington; Kilpatrick  
Stockton LLP

[\*\*] Term: **14 Years**

[21] Appl. No.: **29/096,354**

[57] **CLAIM**

[22] Filed: **Nov. 11, 1998**

The ornamental design for dining table, as shown and described.

[51] **LOC (6) Cl.** ..... **06-03**

**DESCRIPTION**

[52] **U.S. Cl.** ..... **D6/480; D6/488**

[58] **Field of Search** ..... D6/480-489, 495-499,  
D6/511, 477, 436; 108/50.12, 153.1, 155,  
156, 157.1, 161; 248/188, 188.1, 188.8

FIG. 1 is a front perspective view of a dining table of my new design;

FIG. 2 is a side elevational view of the dining table of FIG. 1 all sides being identical thereto;

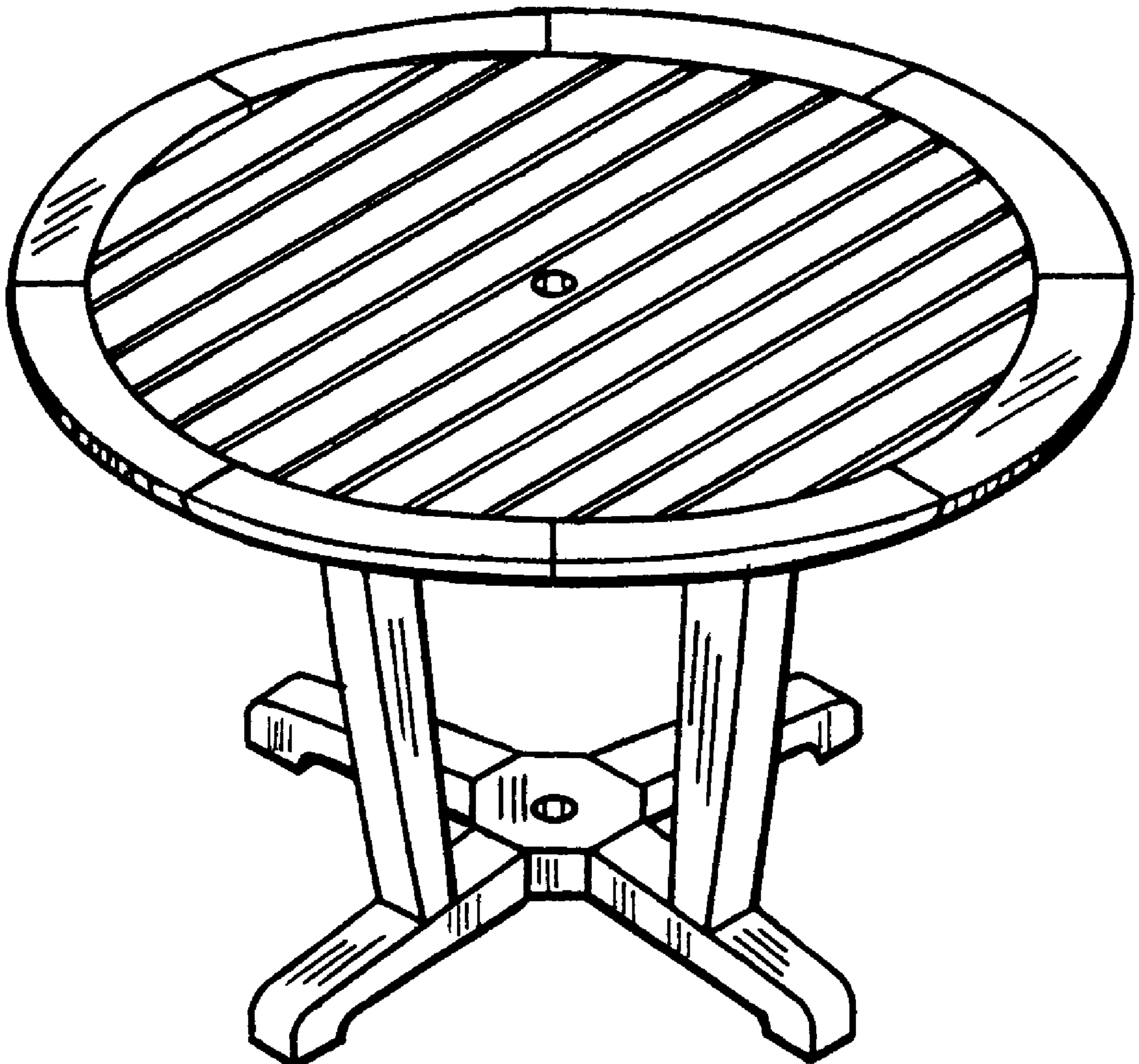
FIG. 3 is a top plan view of the dining table of FIG. 1; and  
FIG. 4 is a bottom plan view of the dining table of FIG. 1.

[56] **References Cited**

**U.S. PATENT DOCUMENTS**

D. 280,371 9/1985 Bayly ..... D6/484  
4,353,659 10/1982 Comte ..... 403/24

**1 Claim, 1 Drawing Sheet**



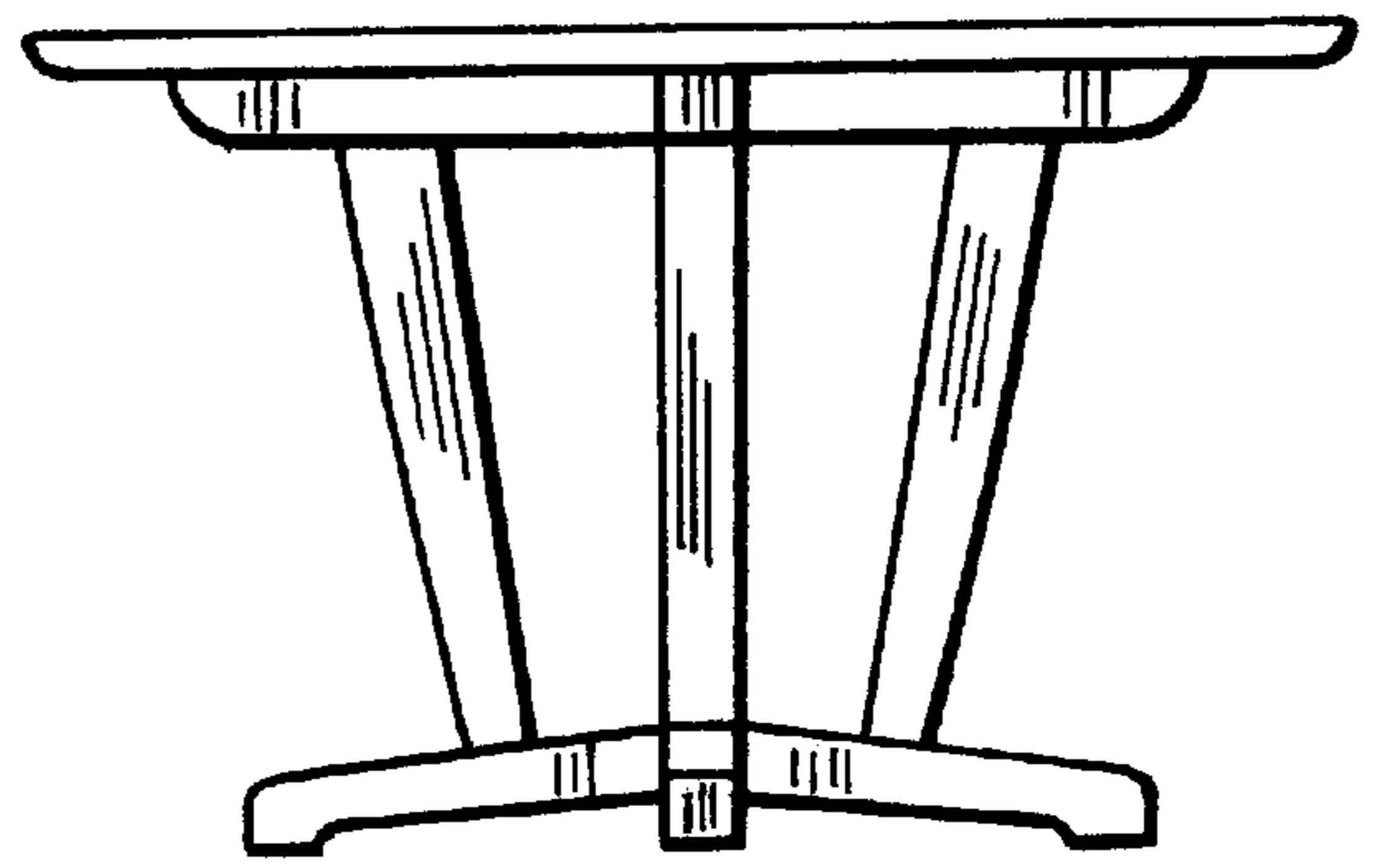


FIG. 2

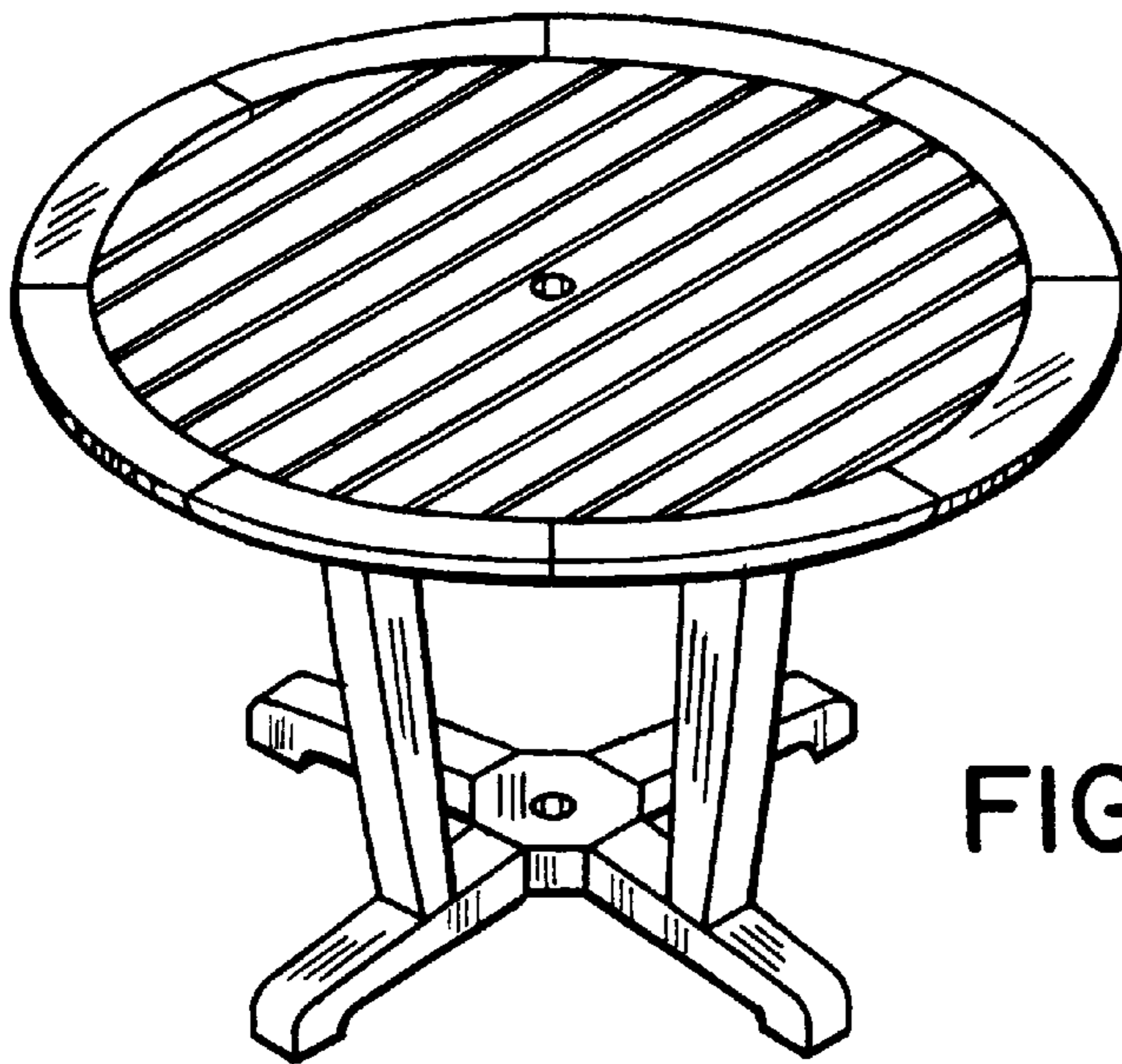


FIG. 1

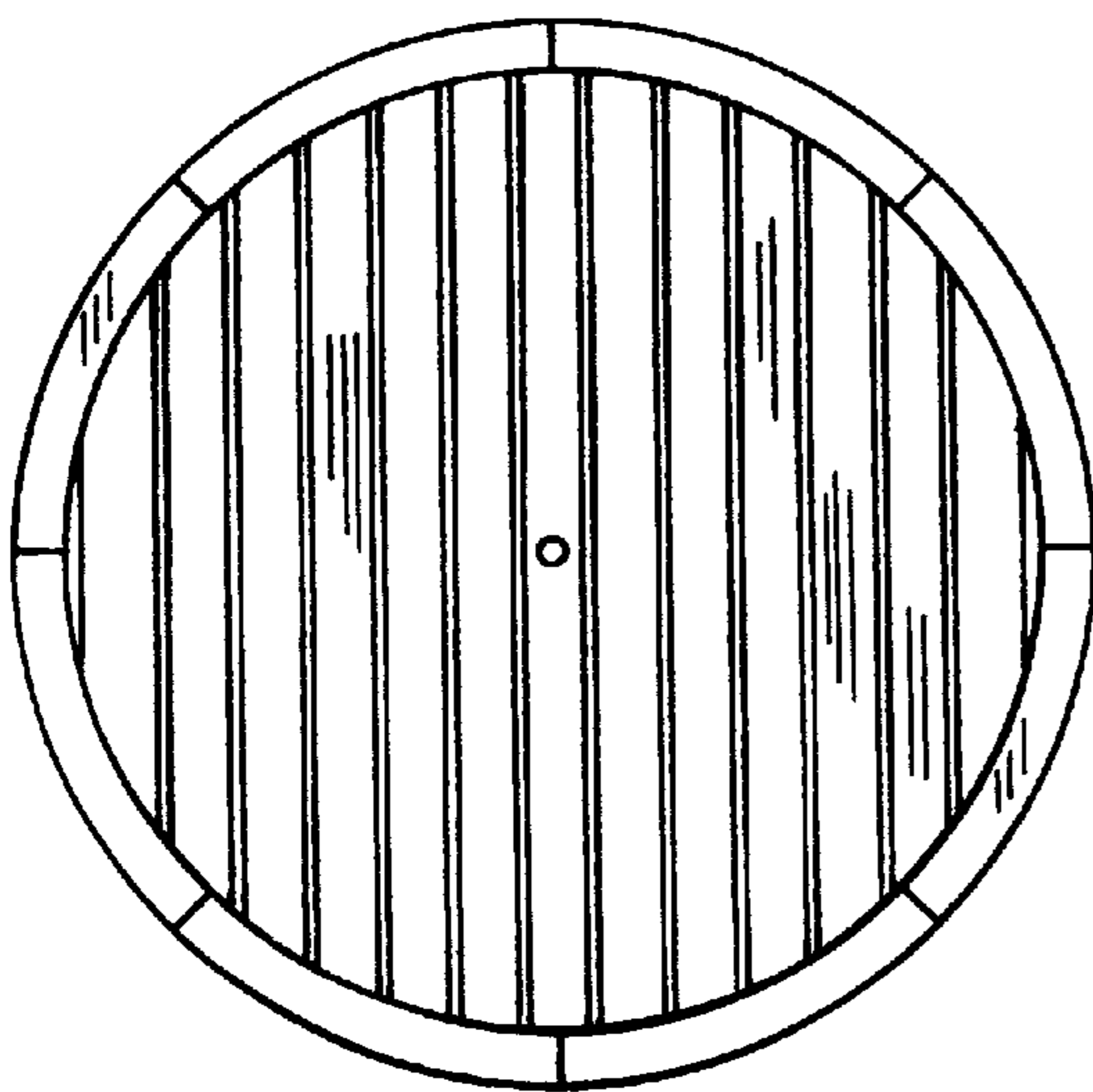


FIG. 3

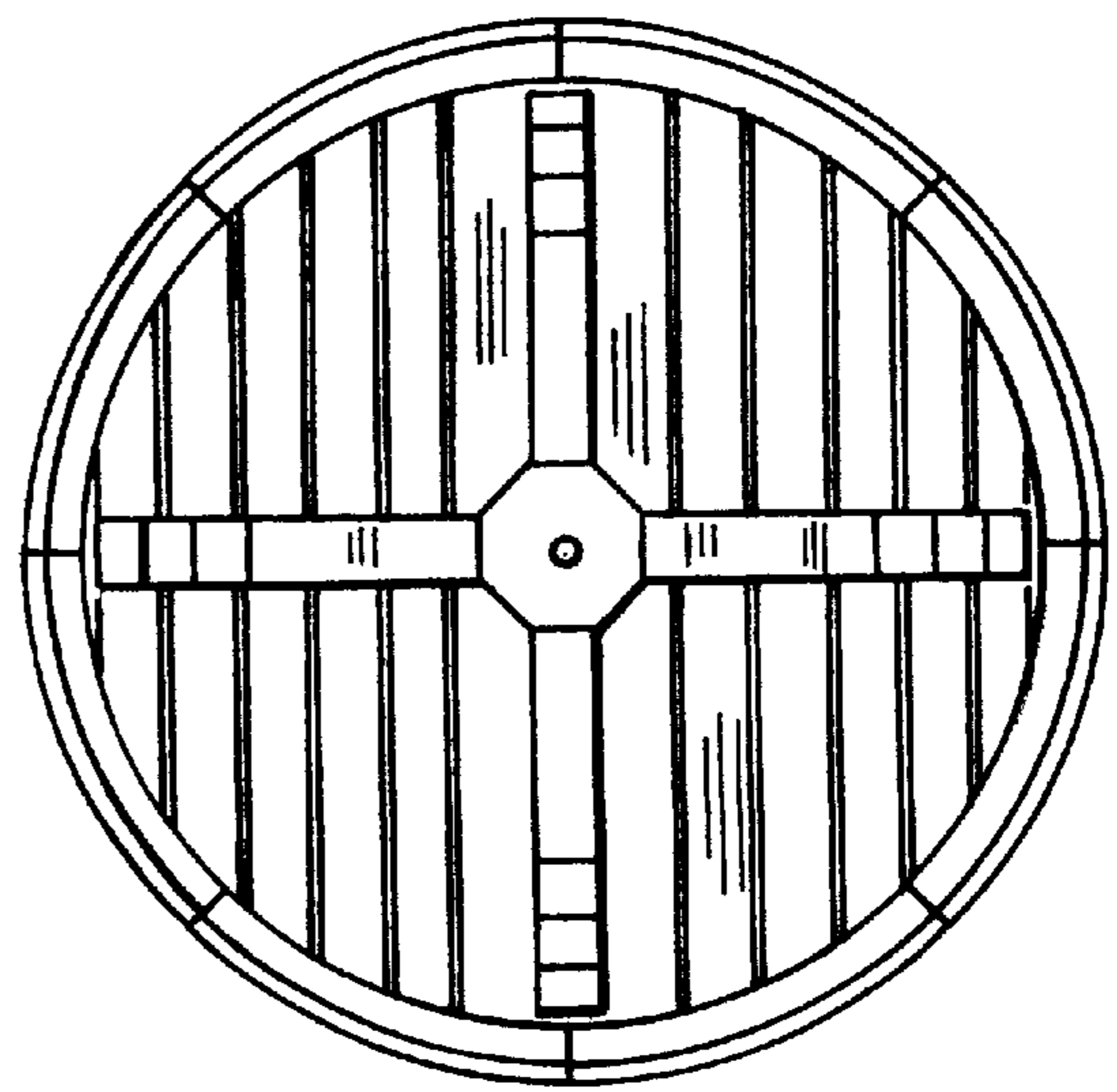


FIG. 4