



US00D412251S

# United States Patent [19] Tseng

[11] Patent Number: **Des. 412,251**

[45] Date of Patent: **\*\* Jul. 27, 1999**

[54] **FOLDABLE CHAIR**

[75] Inventor: **Chuen-Jong Tseng**, Chiayi Hsien, Taiwan

[73] Assignee: **Shin Yen Enterprise Co., Ltd.**, Chiayi Hsien, Taiwan

[\*\*] Term: **14 Years**

[21] Appl. No.: **29/090,081**

[22] Filed: **Jun. 29, 1998**

[51] **LOC (6) Cl.** ..... **06-01**

[52] **U.S. Cl.** ..... **D6/368; D6/375**

[58] **Field of Search** ..... D6/334, 367, 368, D6/374, 375, 500, 501, 502; 297/4, 31, 35

4,514,009	4/1985	Vanderminden et al. ....	D6/368
4,541,666	9/1985	Vanderminden .....	297/31
4,676,548	6/1987	Bradbury .....	D6/335
4,890,882	1/1990	Harrington .....	297/4
5,139,308	8/1992	Ziman .....	297/31
5,350,215	9/1994	DeMars .....	297/35
5,501,505	3/1996	Jablonki .....	297/4
5,588,696	12/1996	Jay et al. ....	297/31

*Primary Examiner*—Doris V. Coles  
*Assistant Examiner*—Mimosa De  
*Attorney, Agent, or Firm*—Ladas & Parry

### [57] CLAIM

The ornamental design for foldable chair, as shown and described.

### DESCRIPTION

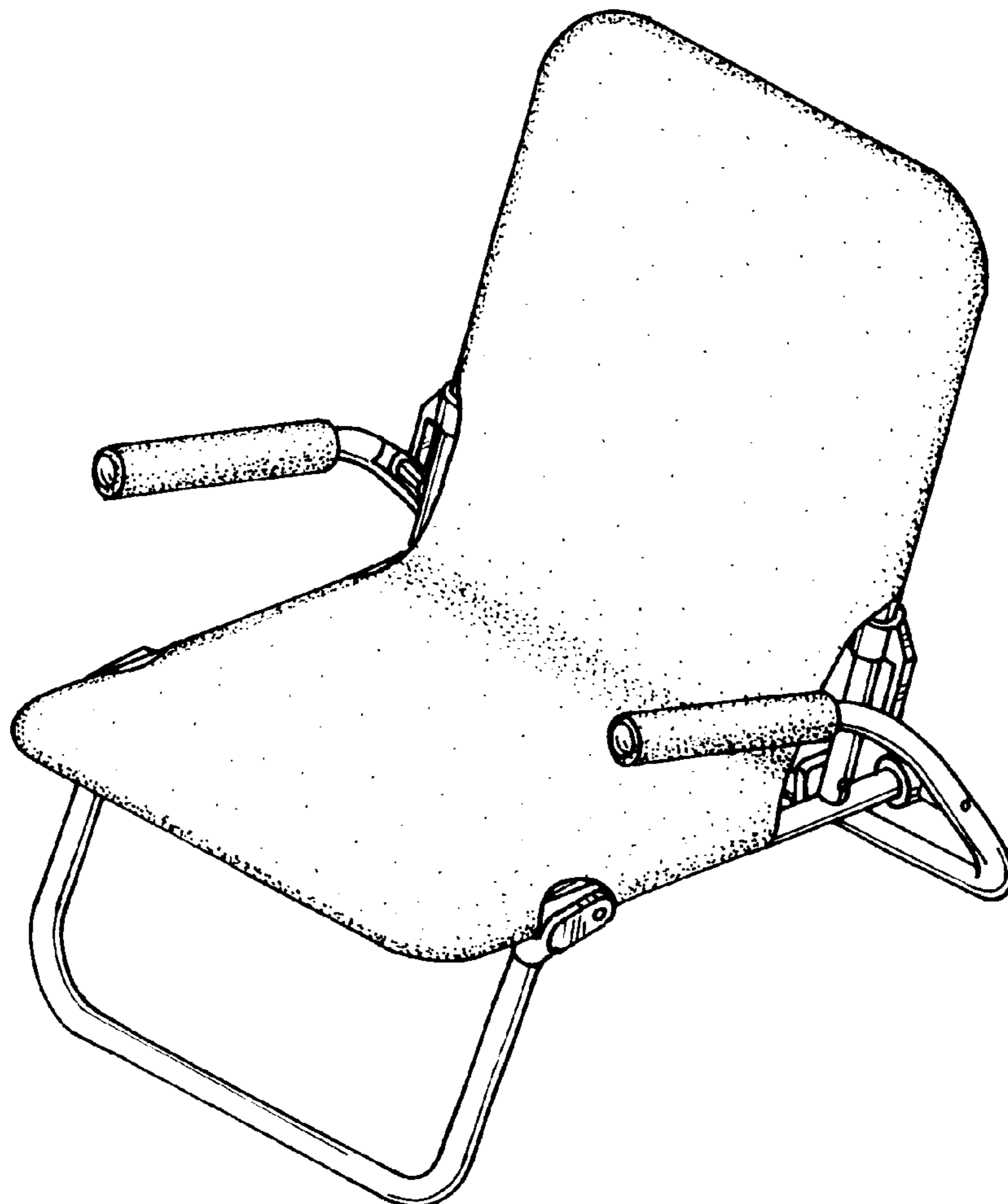
FIG. 1 is a perspective view of foldable chair showing my new design;  
FIG. 2 is a front elevational view thereof;  
FIG. 3 is a rear elevational view thereof;  
FIG. 4 is a left side elevational view thereof;  
FIG. 5 is a right side elevational view thereof;  
FIG. 6 is a top plan view thereof; and,  
FIG. 7 is a bottom plan view thereof.

**1 Claim, 4 Drawing Sheets**

### [56] References Cited

#### U.S. PATENT DOCUMENTS

D. 235,494	6/1975	Juergenson .....	D6/368
D. 298,888	12/1988	Conn .....	D6/368
2,664,944	1/1954	Lundquist .....	D6/368
3,151,909	10/1964	Gerdetz .....	D6/336
4,300,798	11/1981	Musgrove et al. ....	D6/336



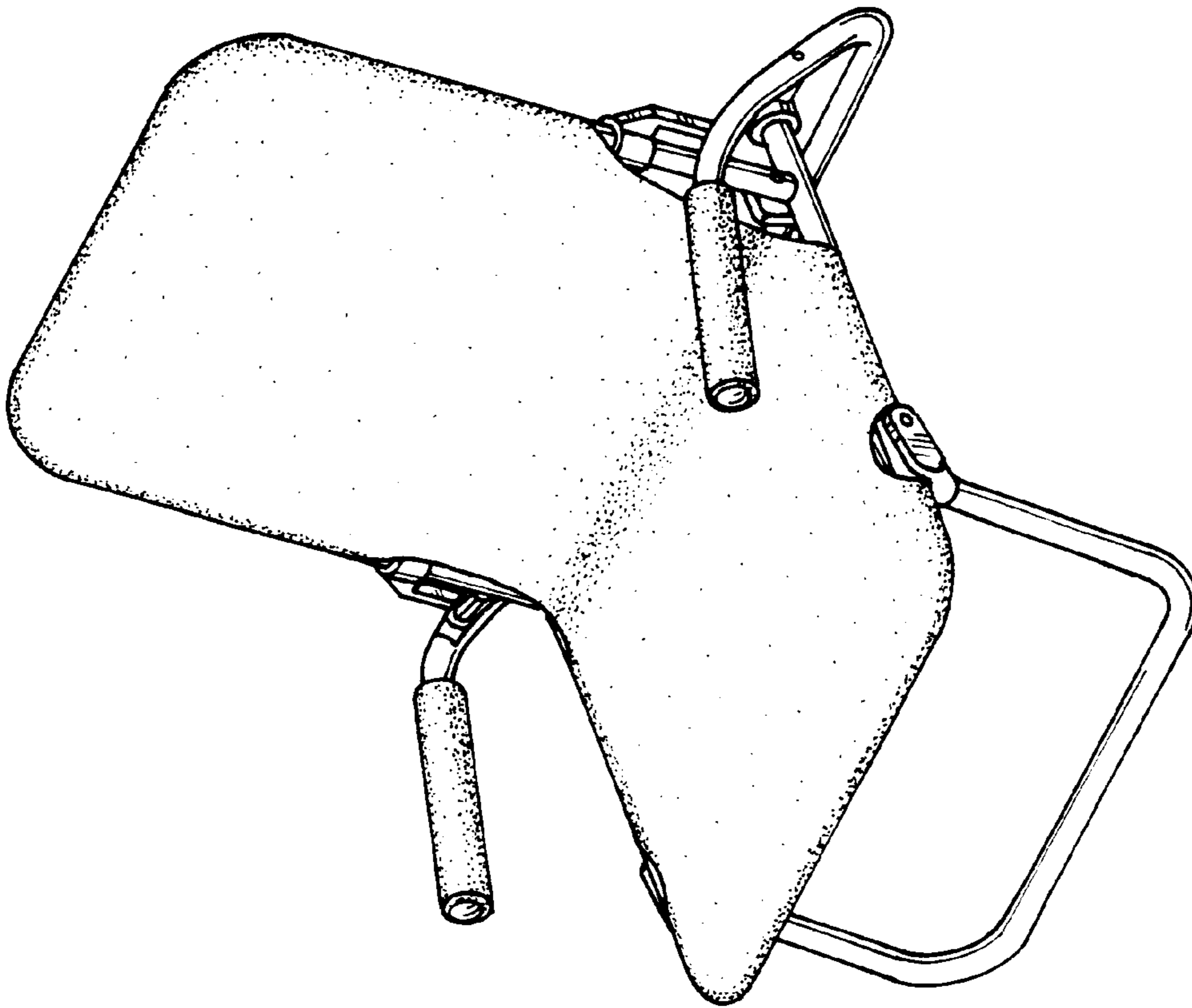


FIG. 1

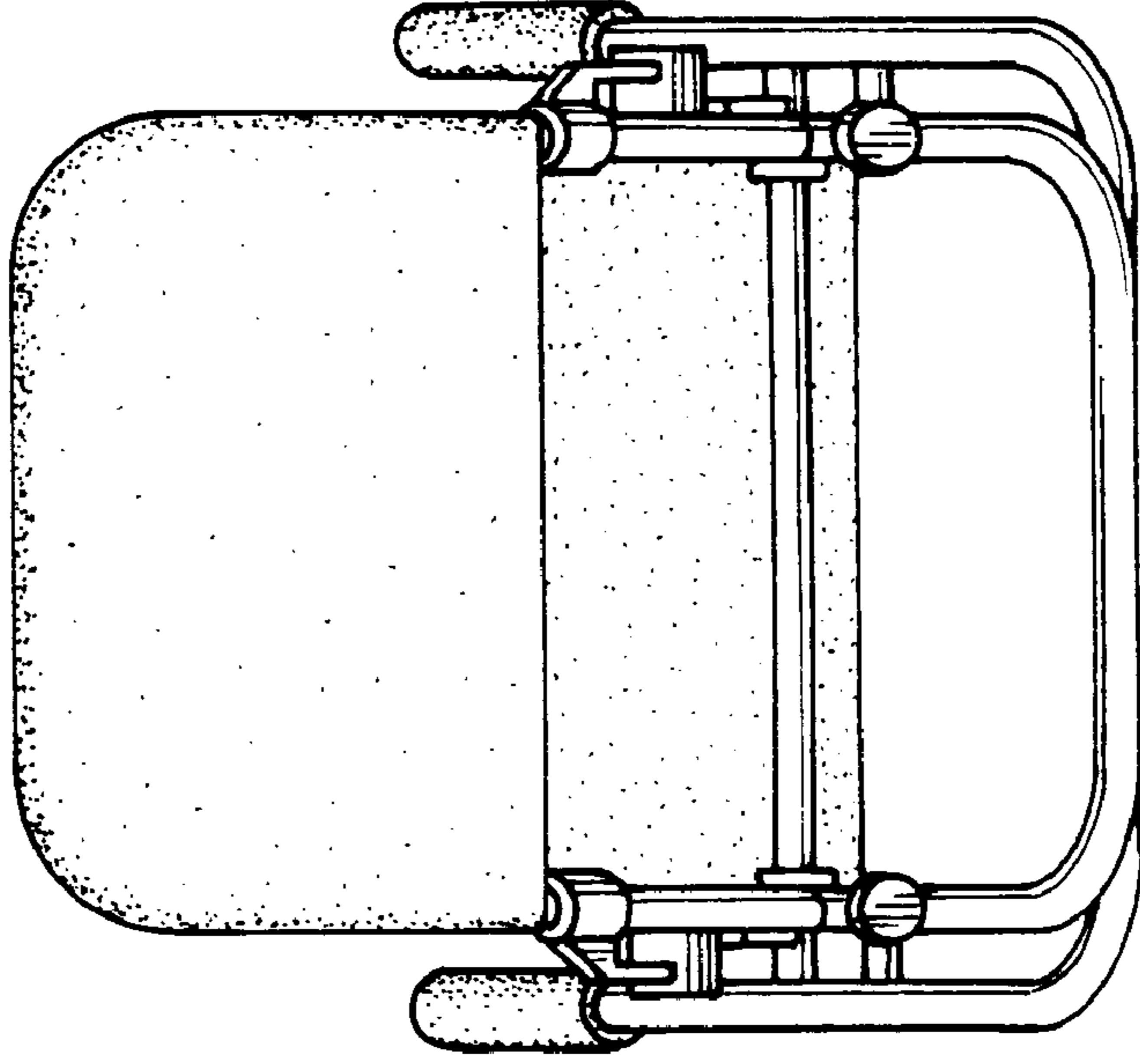


FIG. 3

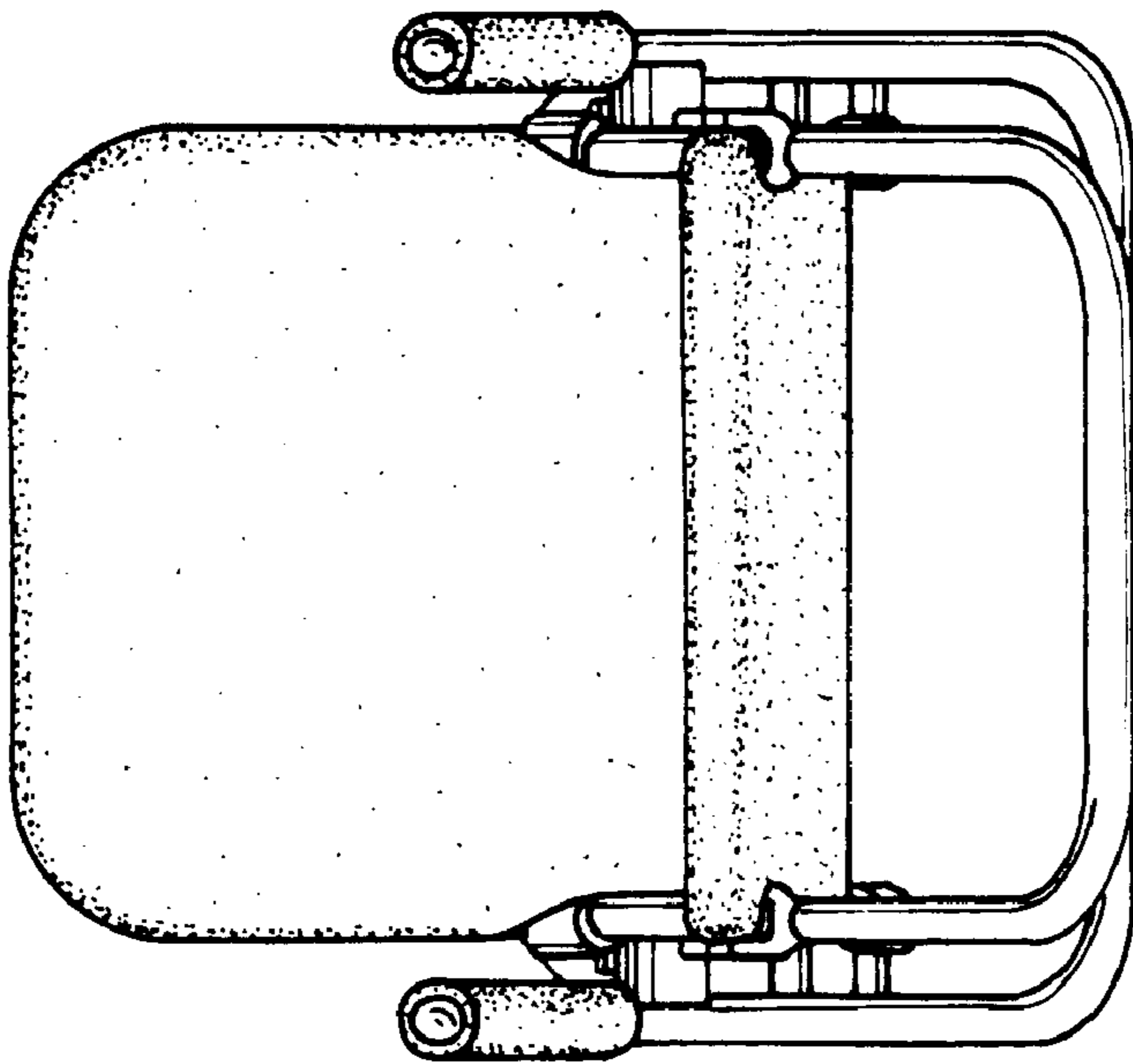


FIG. 2

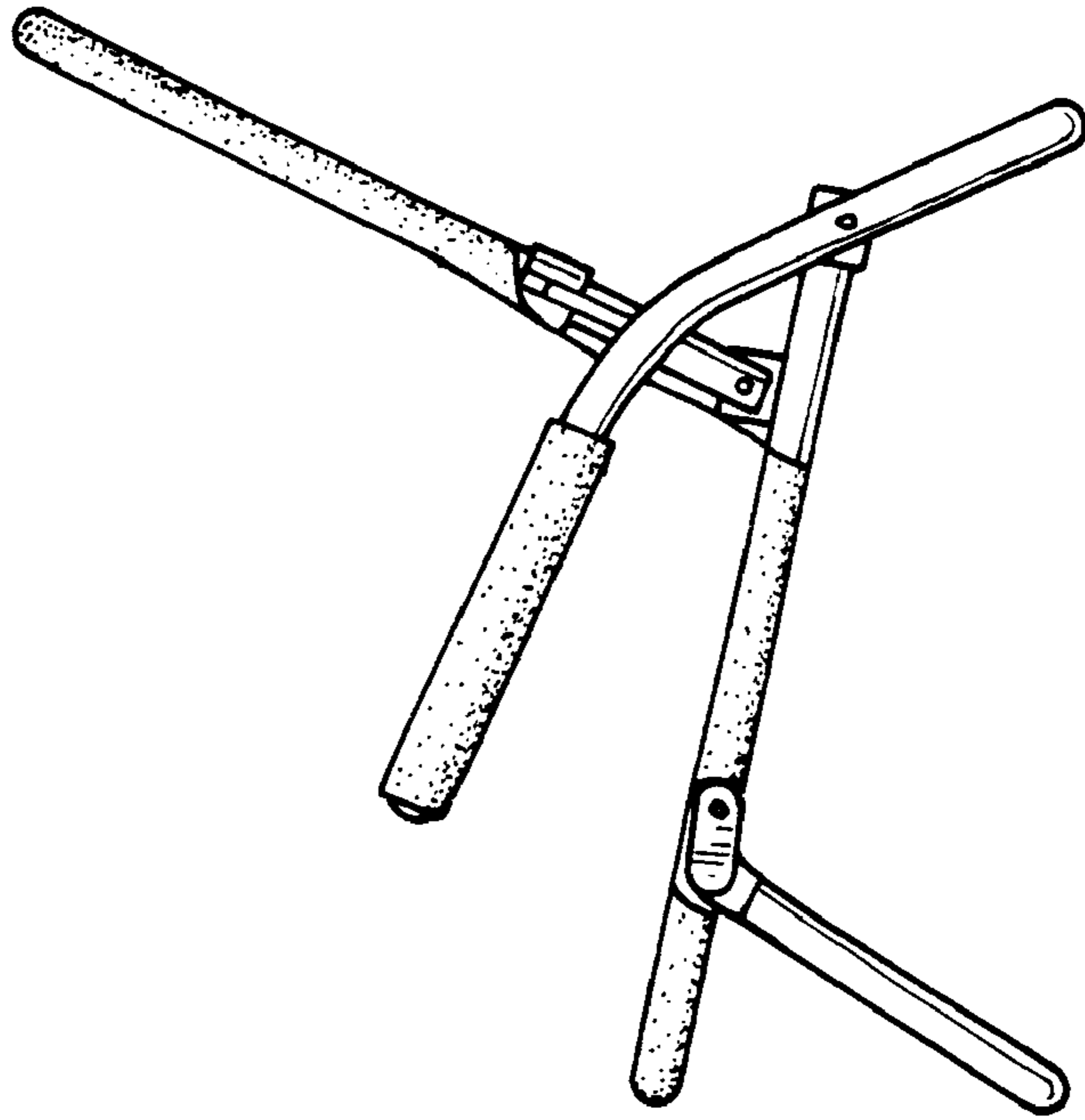


FIG. 5

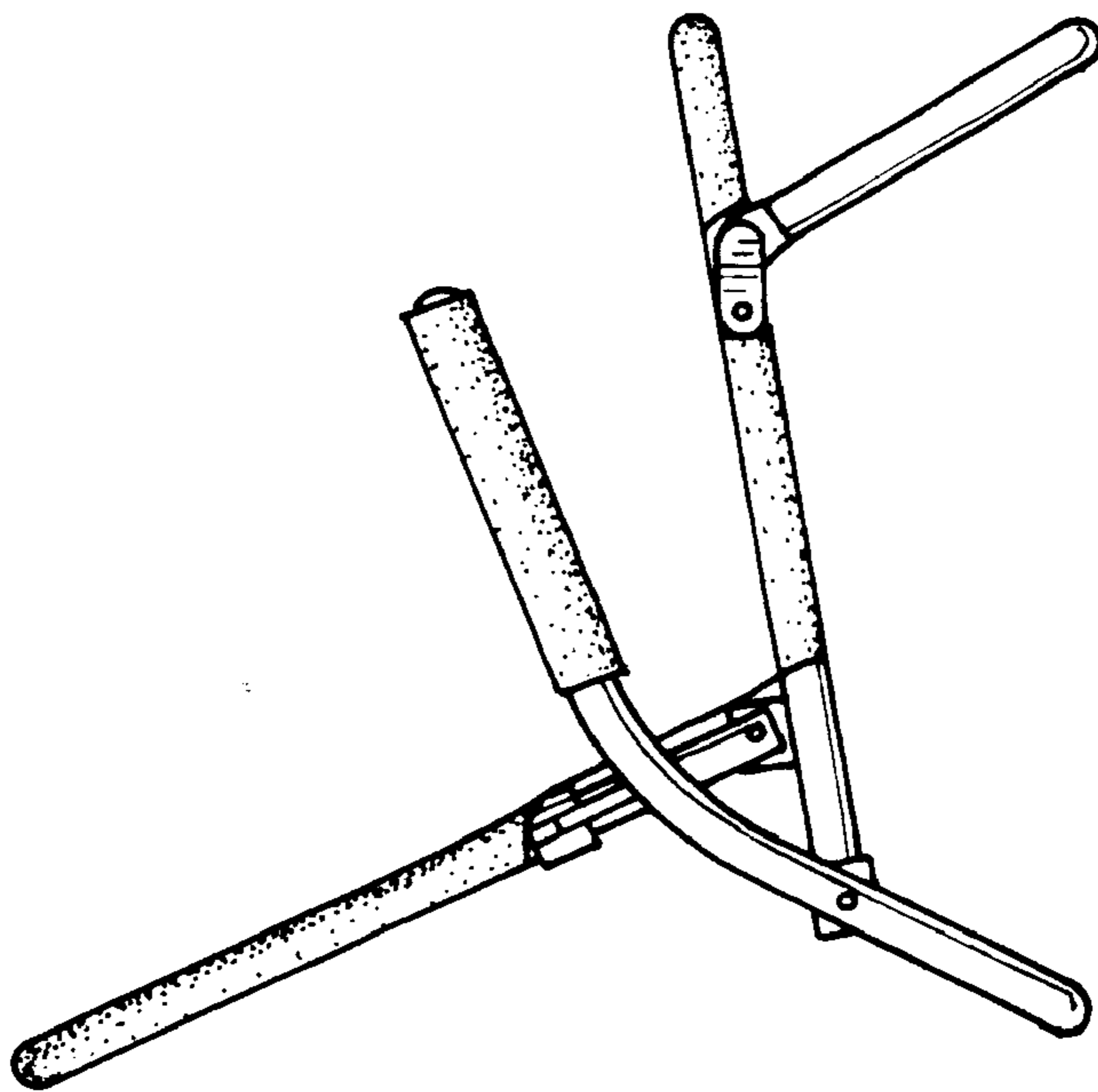


FIG. 4

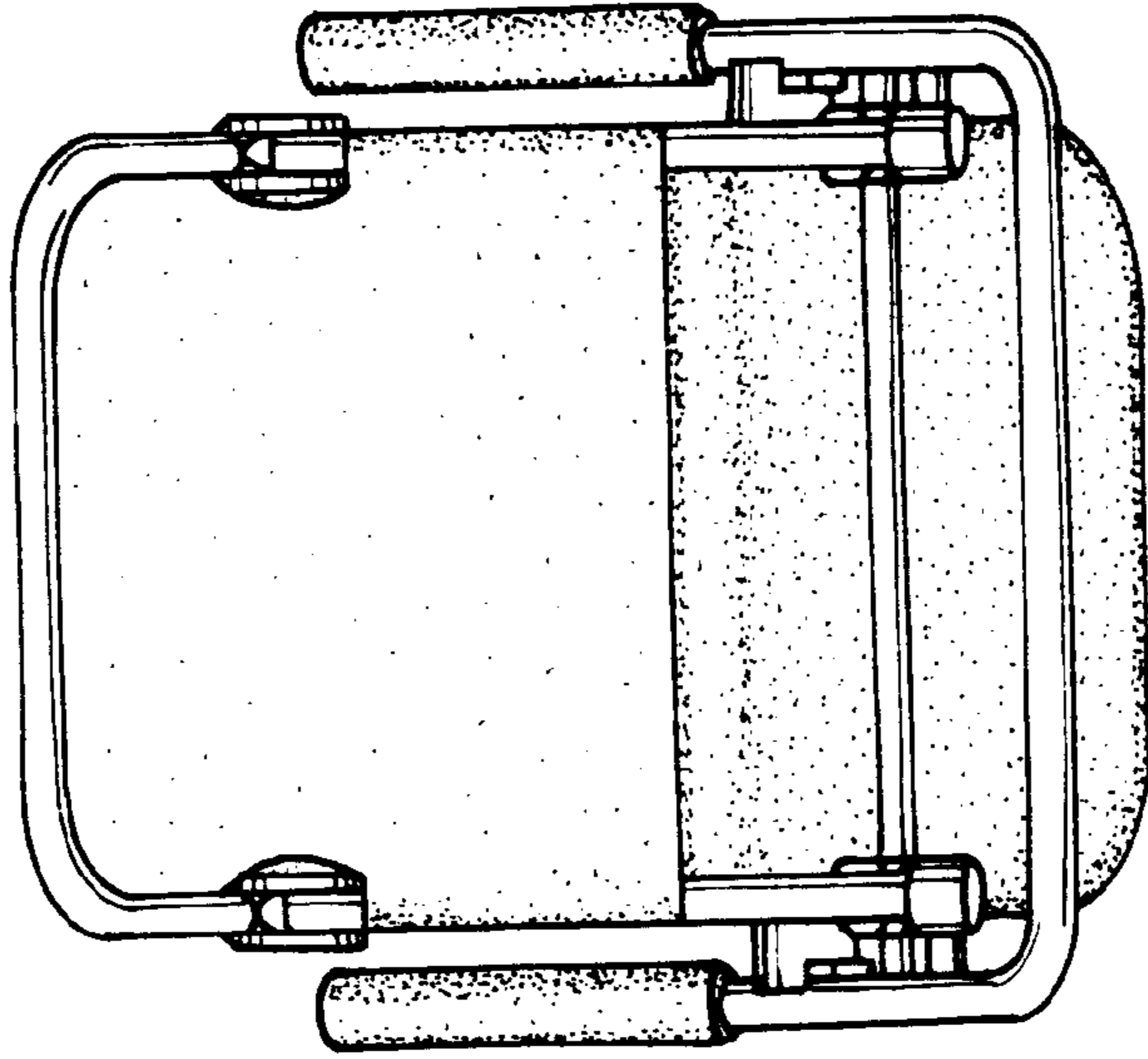


FIG. 7

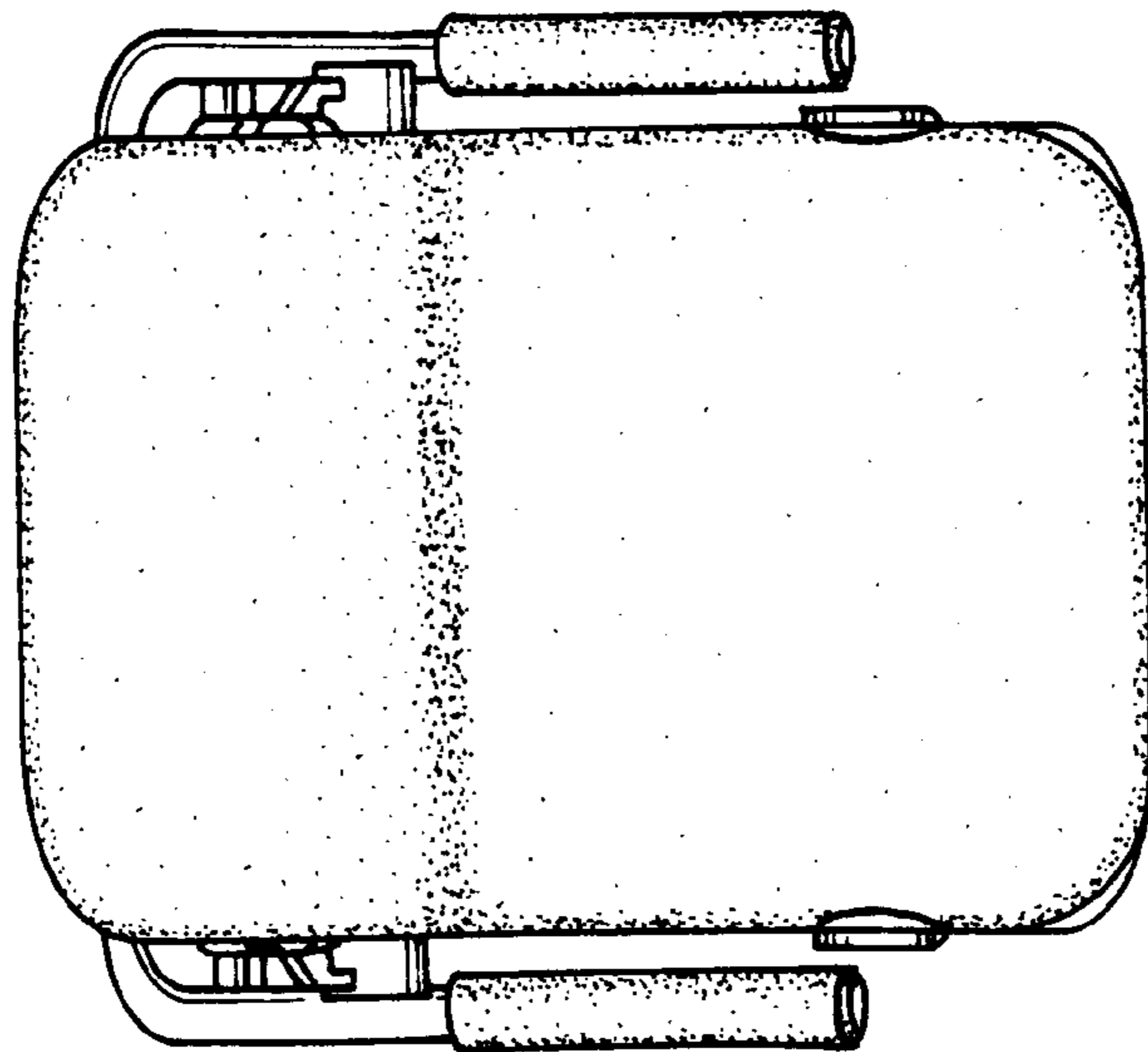


FIG. 6