



US00D412245S

United States Patent [19]
Kopala, Jr.

[11] **Patent Number: Des. 412,245**
[45] **Date of Patent: ** Jul. 27, 1999**

[54] **WRENCH HOLDER**

5,788,303 8/1998 Chia-Hsiang 294/143

[75] Inventor: **Walter W. Kopala, Jr.**, Coto de Caza, Calif.

Primary Examiner—Louis S. Zarfes
Assistant Examiner—Catherine R. Oliver
Attorney, Agent, or Firm—Robert R. Thornton

[73] Assignee: **Alltrade Inc.**, Long Beach, Calif.

[57] **CLAIM**

[**] Term: **14 Years**

The ornamental design for a wrench holder, as shown and described.

[21] Appl. No.: **29/098,124**

[22] Filed: **Dec. 22, 1998**

DESCRIPTION

[51] **LOC (6) Cl.** **03-01**

[52] **U.S. Cl.** **D3/315; D3/905**

[58] **Field of Search** 211/70.6, 60.1,
211/70.2; D8/71; 206/372, 373, 376, 377,
504; 294/143; D3/315, 905, 276, 228

FIG. 1 is a perspective view of a wrench holder showing my new design, with its wrench retaining bar in its closed position;

FIG. 2 is a front elevational view thereof;

FIG. 3 is a top plan view thereof;

FIG. 4 is a rear elevational view thereof;

FIG. 5 is a bottom plan view thereof;

FIG. 6 is a left side elevational view thereof;

FIG. 7 is a right side elevational view thereof; and,

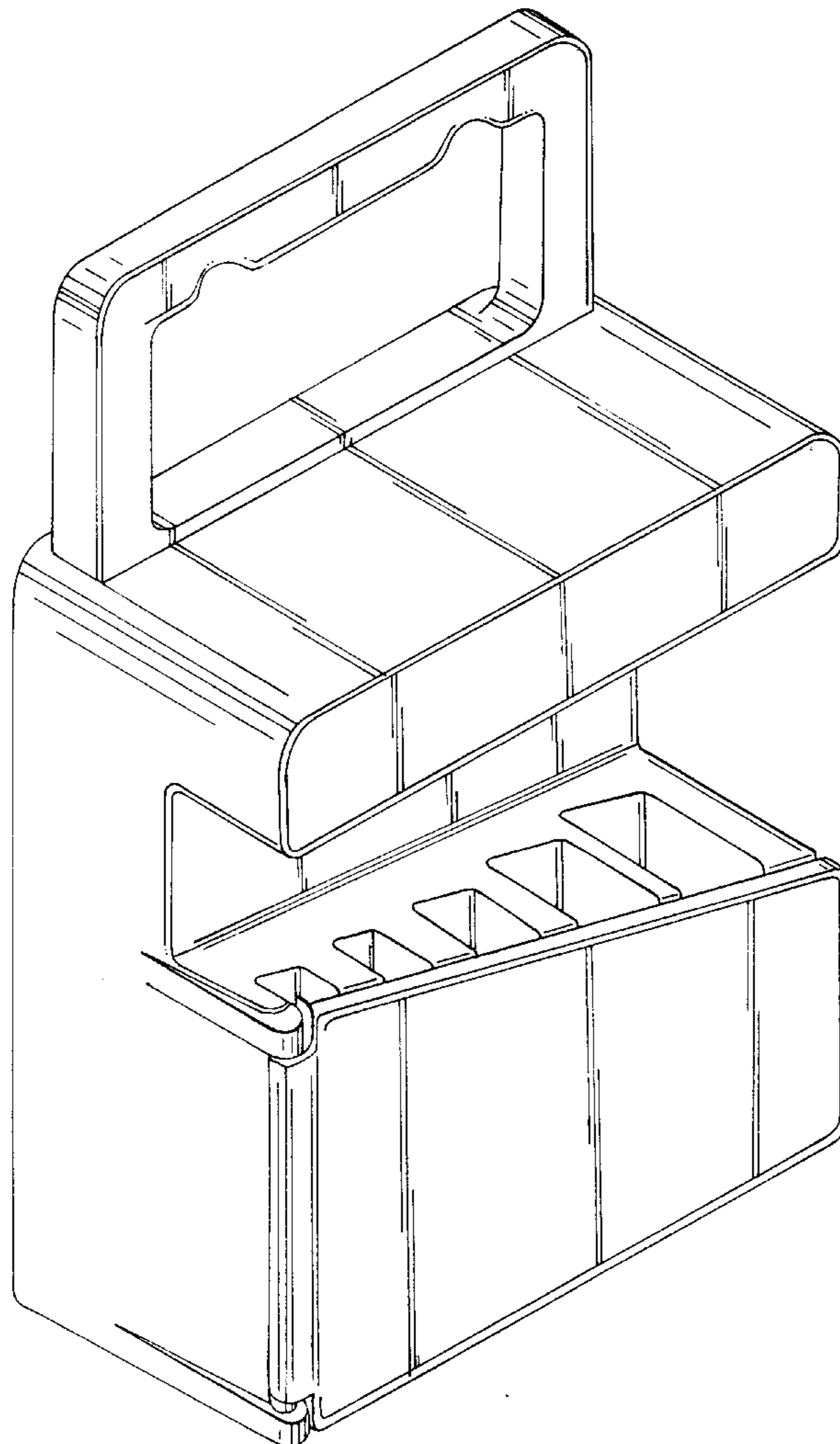
FIG. 8 is a front elevational view thereof with its wrench retaining bar removed for purposes of clarity.

[56] **References Cited**

U.S. PATENT DOCUMENTS

D. 355,826 2/1995 Chow D8/71
D. 365,681 1/1996 Chow D3/315
D. 373,943 9/1996 Fuhrmann D8/71
5,730,303 3/1998 Chow 211/70.6

1 Claim, 5 Drawing Sheets



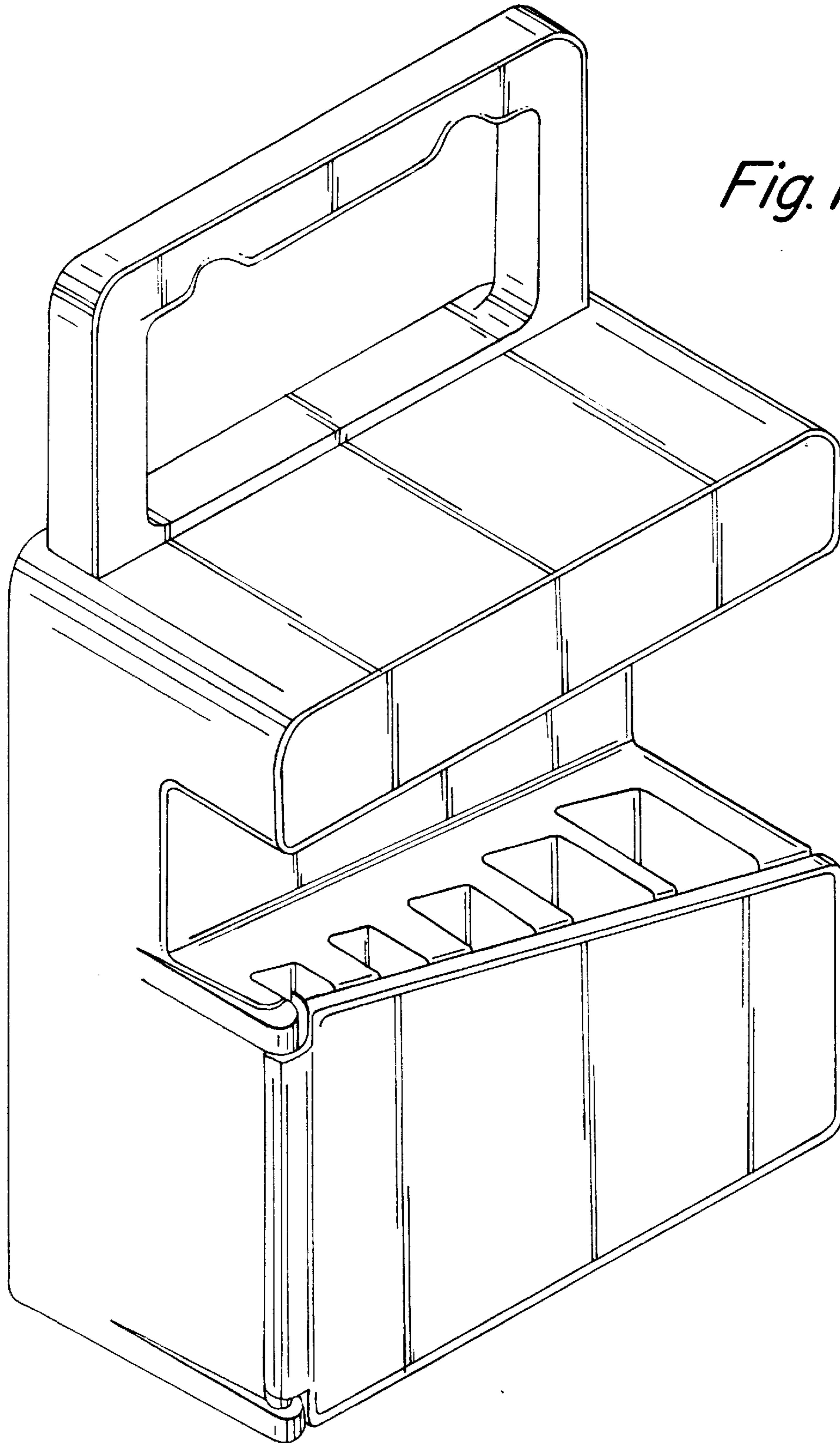


Fig. 1

Fig. 2

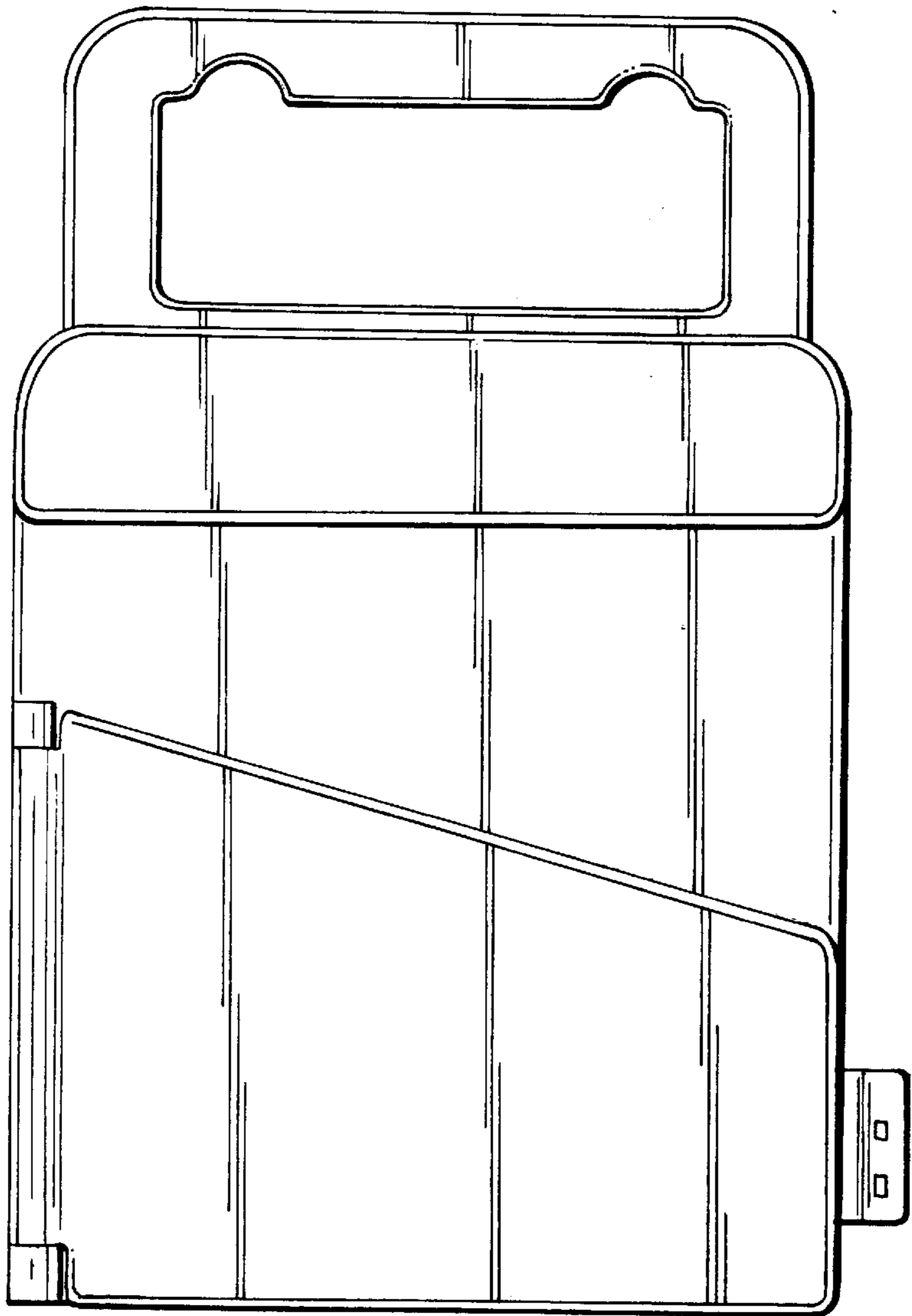


Fig. 3

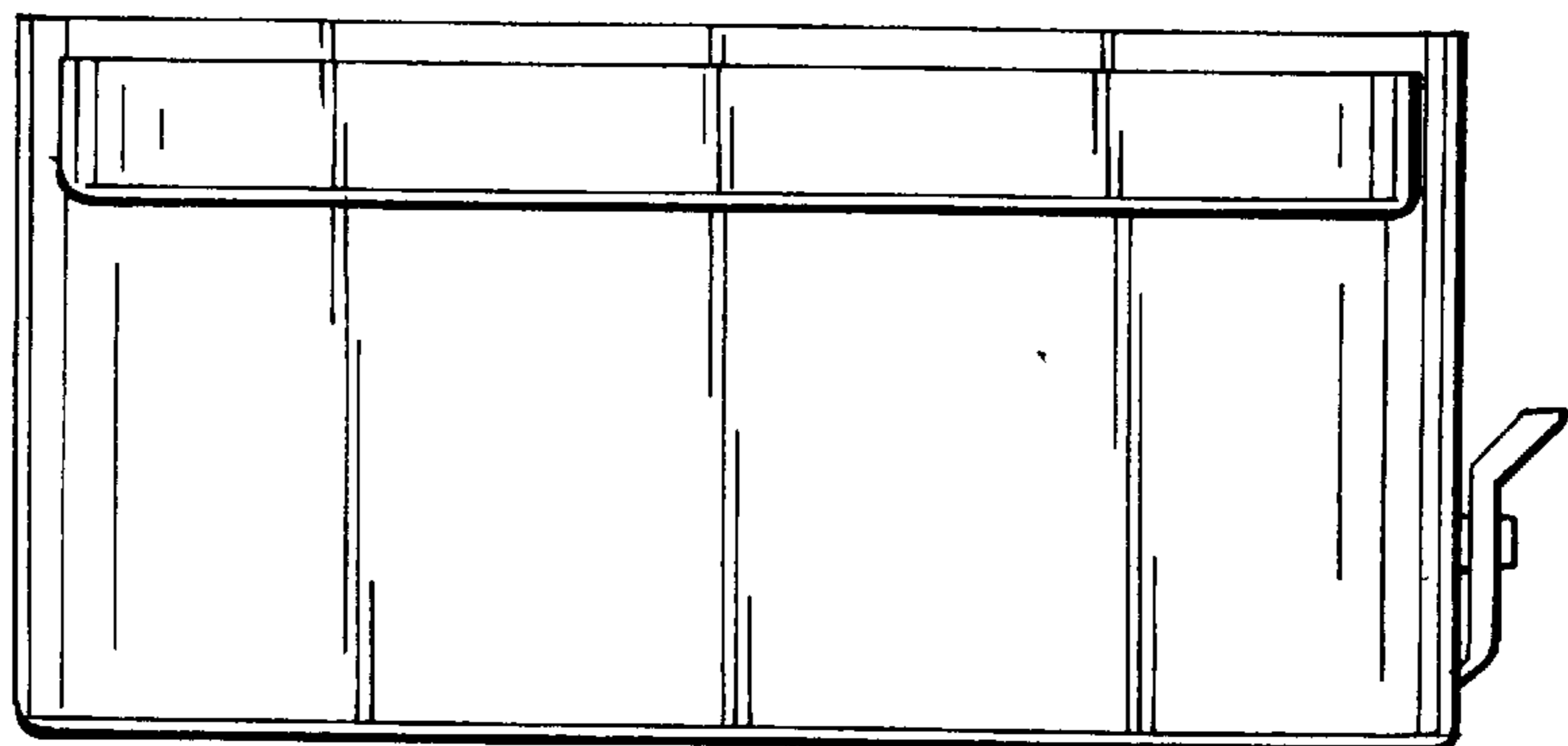


Fig. 4

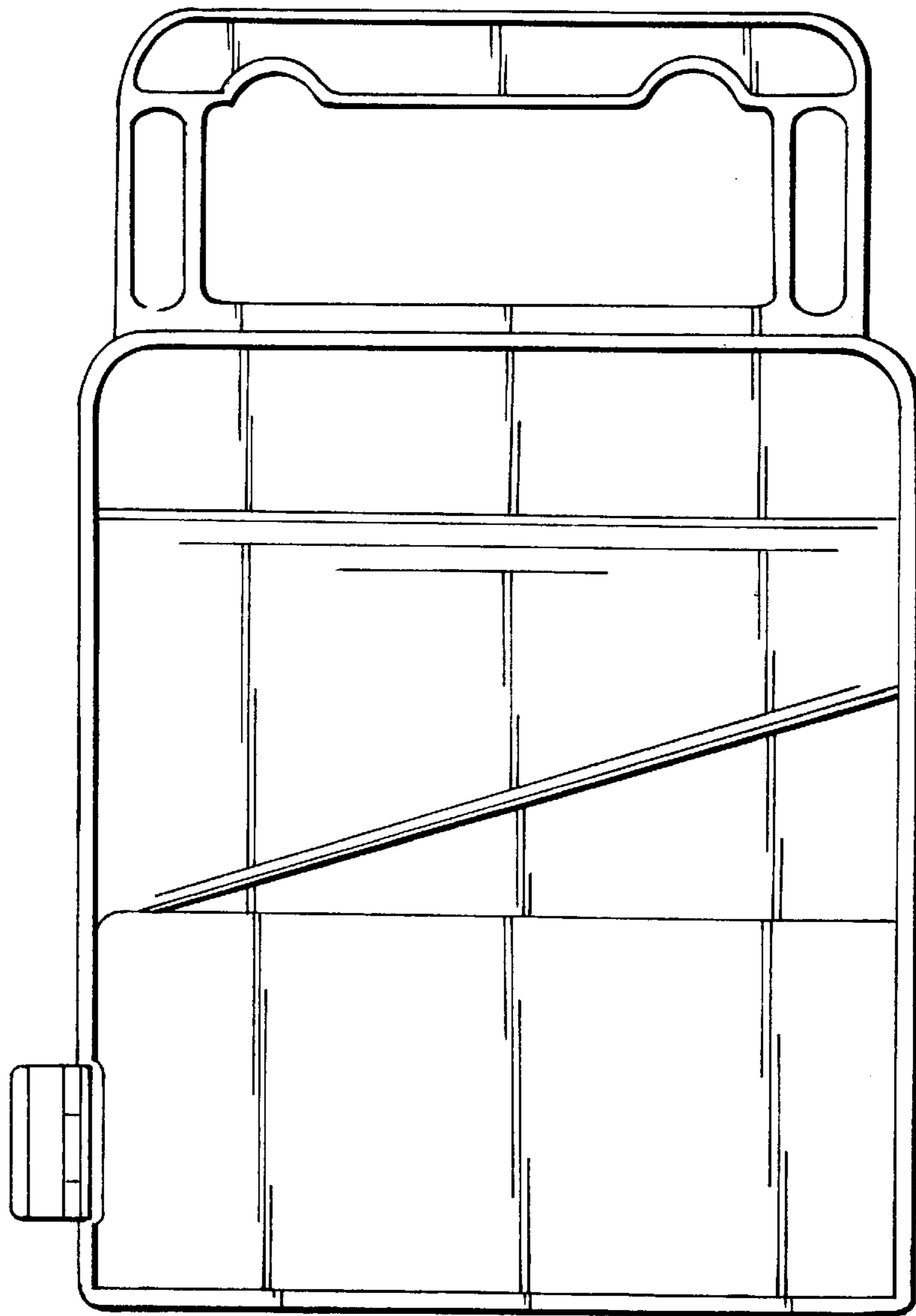
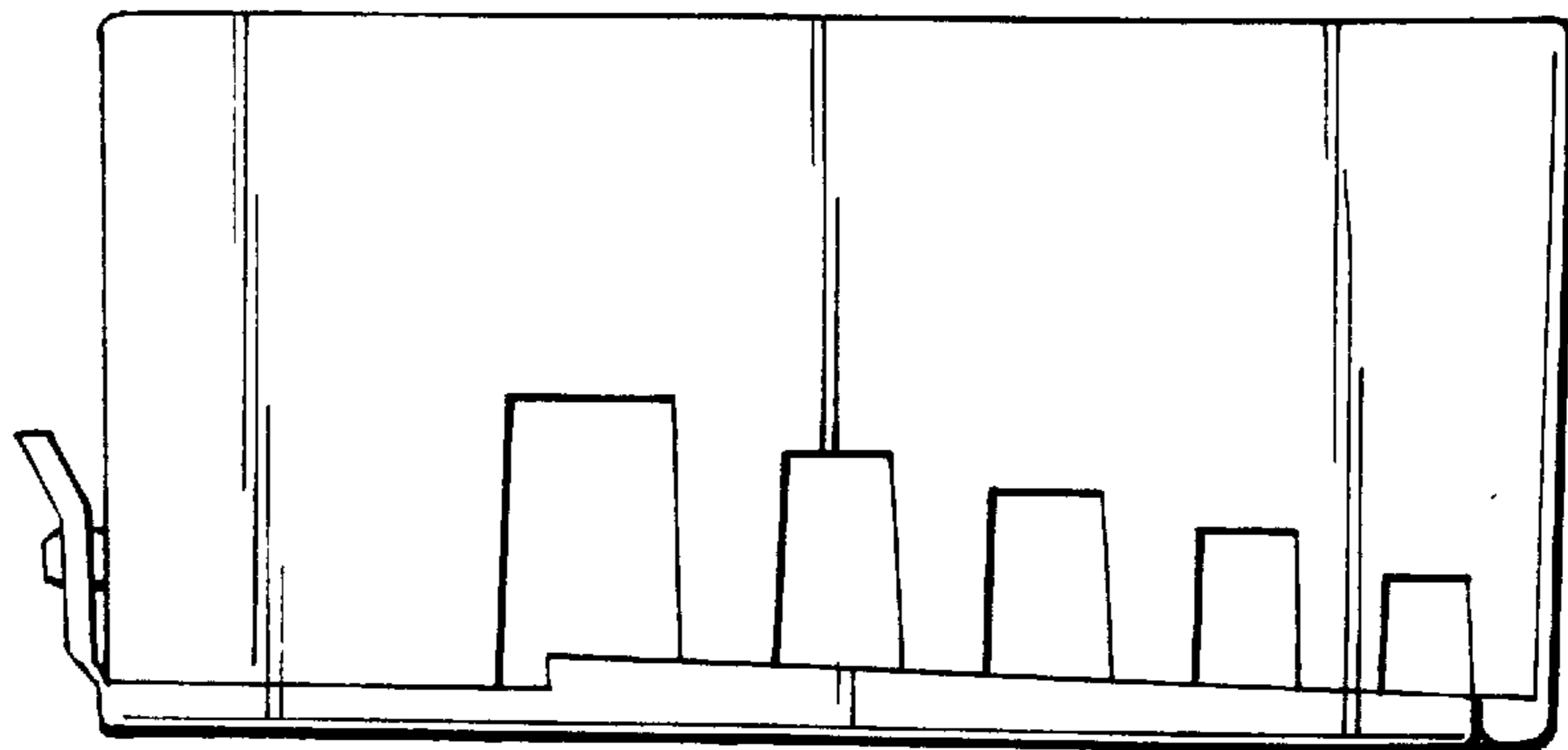


Fig. 5



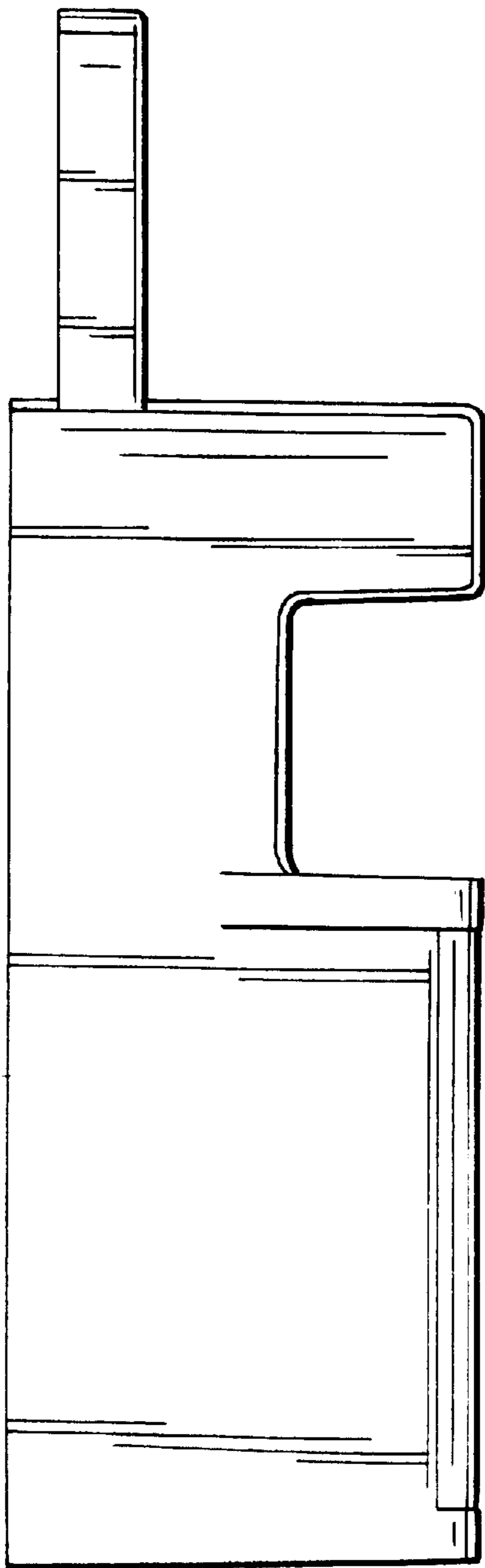


Fig. 6

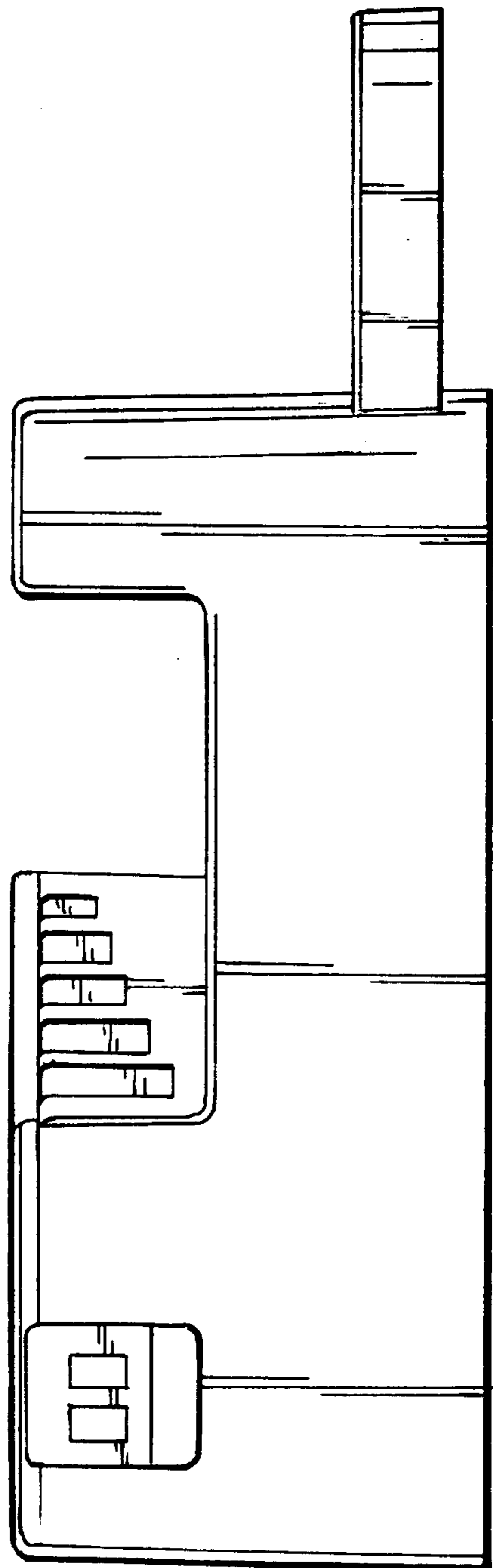


Fig. 7

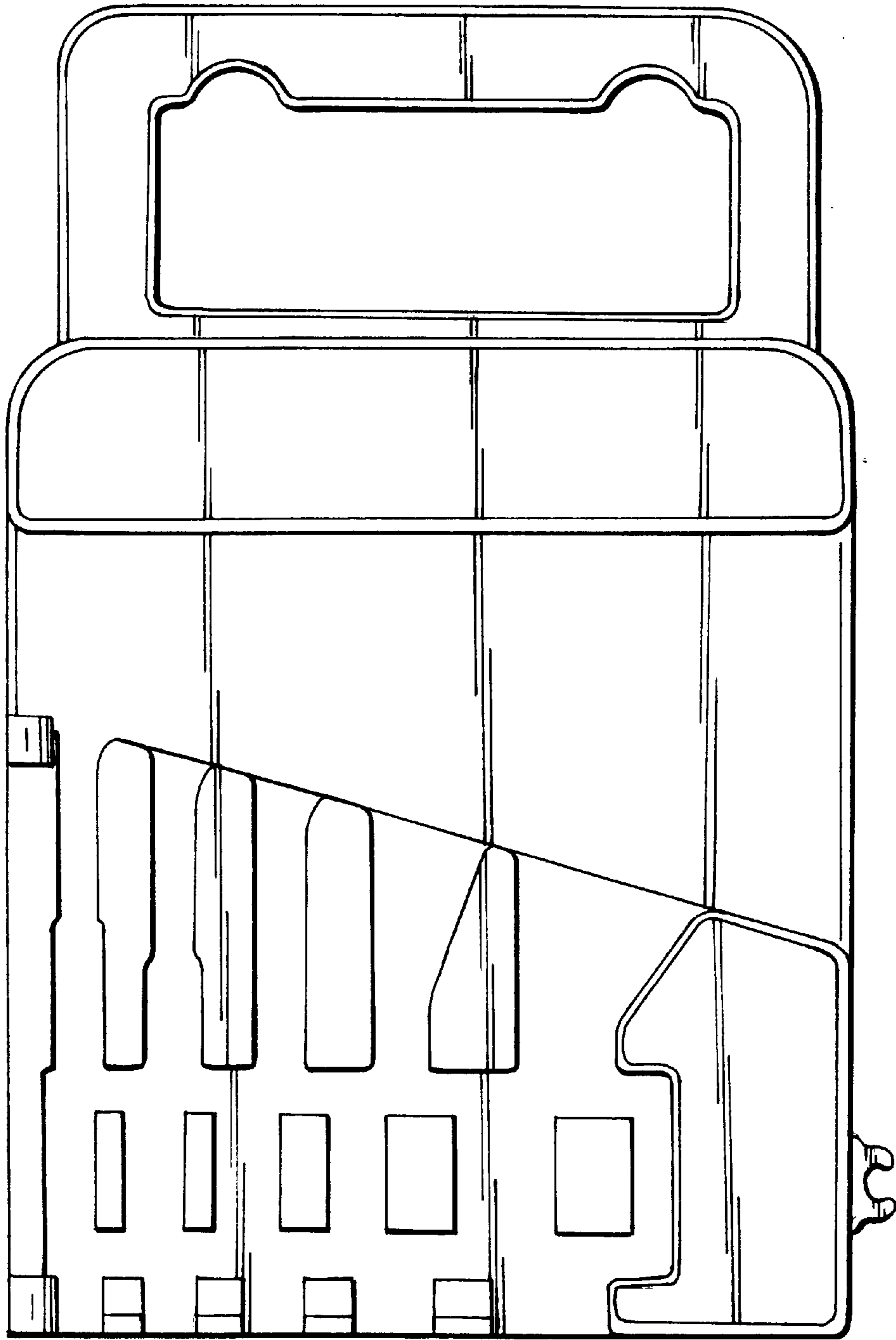


Fig. 8