



US00D412244S

United States Patent [19] Miyahara

[11] Patent Number: Des. 412,244

[45] Date of Patent: ** Jul. 27, 1999

[54] CASE FOR CAMERA

[75] Inventor: Kazuhiko Miyahara, Yokohama, Japan

[73] Assignee: Canon Kabushiki Kaisha, Tokyo, Japan

[**] Term: 14 Years

[21] Appl. No.: 29/097,674

[22] Filed: Dec. 11, 1998

[30] Foreign Application Priority Data

Jun. 26, 1998 [JP] Japan 10-18454

[51] LOC (6) Cl. 03-01

[52] U.S. Cl. D3/267; D2/263

[58] Field of Search D3/215, 218, 263,
D3/267, 268, 219; D16/130, 136, 208,
211; 206/316.2; 224/908

[56] References Cited

U.S. PATENT DOCUMENTS

- D. 247,760 4/1978 Rausch D3/267
- D. 271,822 12/1983 Clancy D3/267
- D. 276,573 12/1984 Yamamoto et al. D3/267

- D. 281,644 12/1985 Akabane D3/267
- D. 310,298 9/1990 Fukushima D3/267
- D. 361,428 8/1995 Akabane et al. D3/267
- 4,000,769 1/1977 Katz 206/316.2
- 4,131,147 12/1978 Schrage 206/316.2
- 5,101,974 4/1992 Alwitt 206/316.2

Primary Examiner—Celia Murphy
Attorney, Agent, or Firm—Fitzpatrick, Cella, Harper & Scinto

[57] CLAIM

The ornamental design for a case for camera, as shown and described.

DESCRIPTION

FIG. 1 is a front view of a case for camera showing my new design;
FIG. 2 is a rear view thereof;
FIG. 3 is a top plan view thereof;
FIG. 4 is a bottom plan view thereof;
FIG. 5 is a left side view thereof;
FIG. 6 is a right side view thereof; and,
FIG. 7 is a perspective view thereof.
The broken lines shown throughout the views are understood to represent conventional stitching.

1 Claim, 4 Drawing Sheets

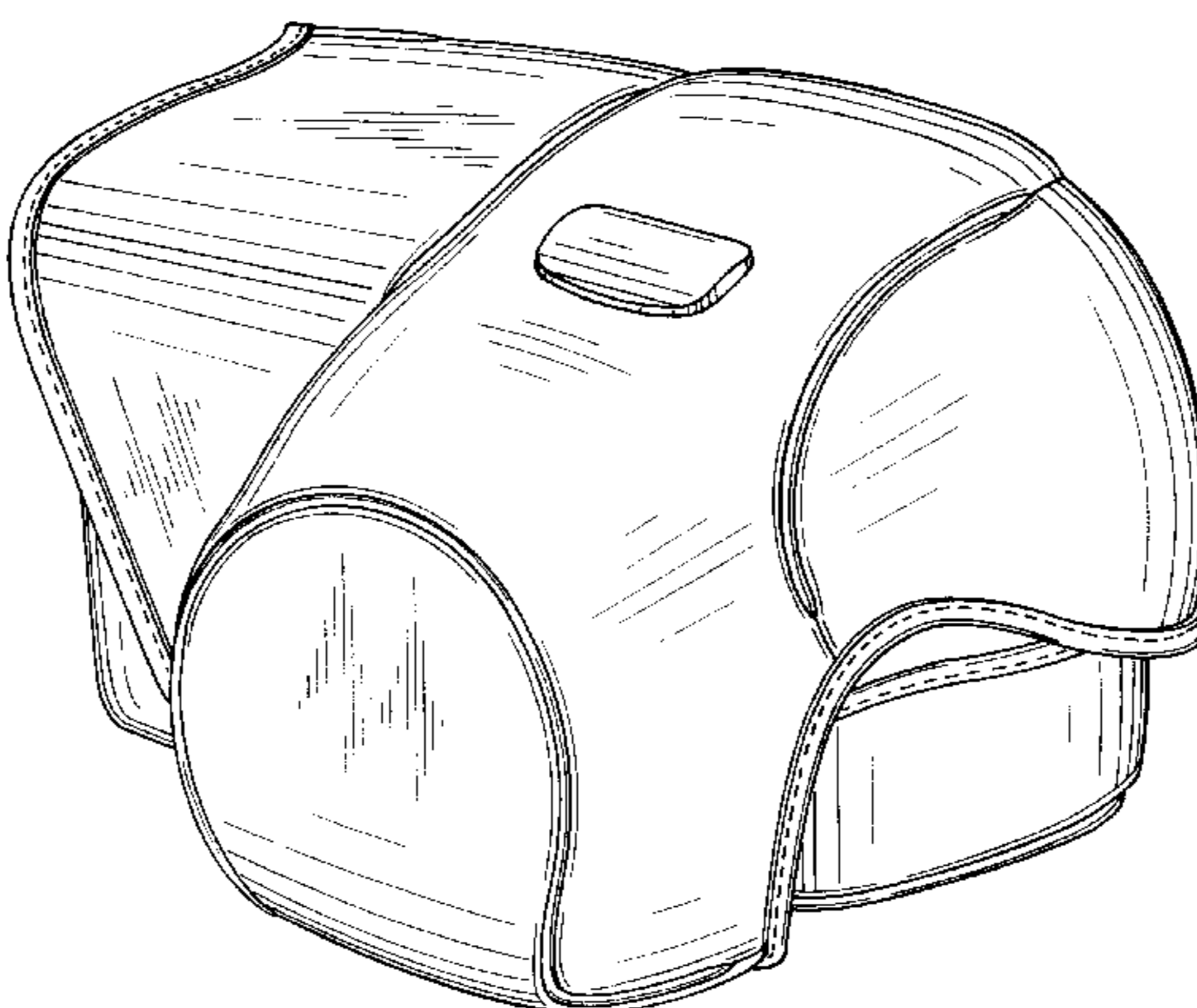
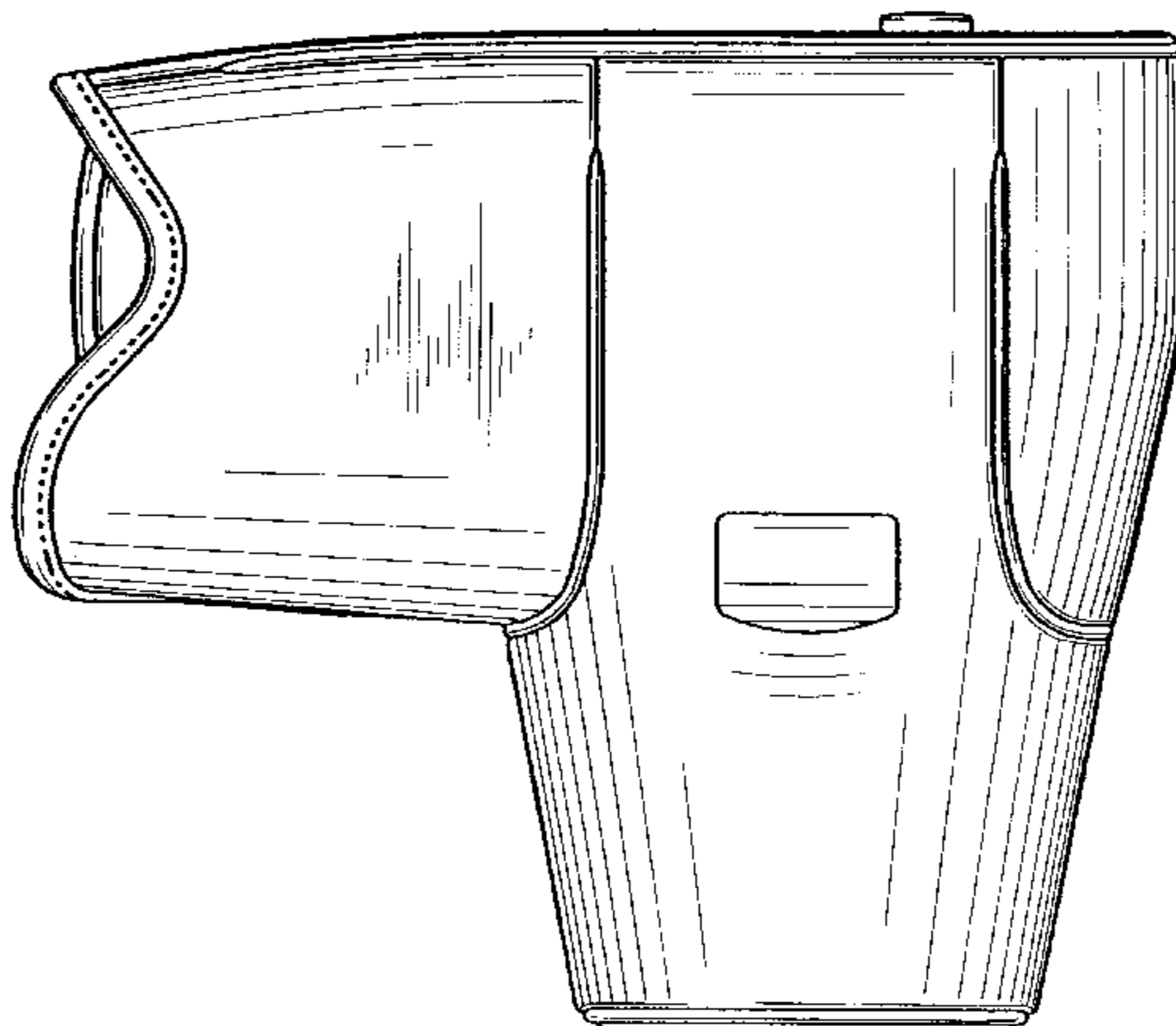


FIG. 1

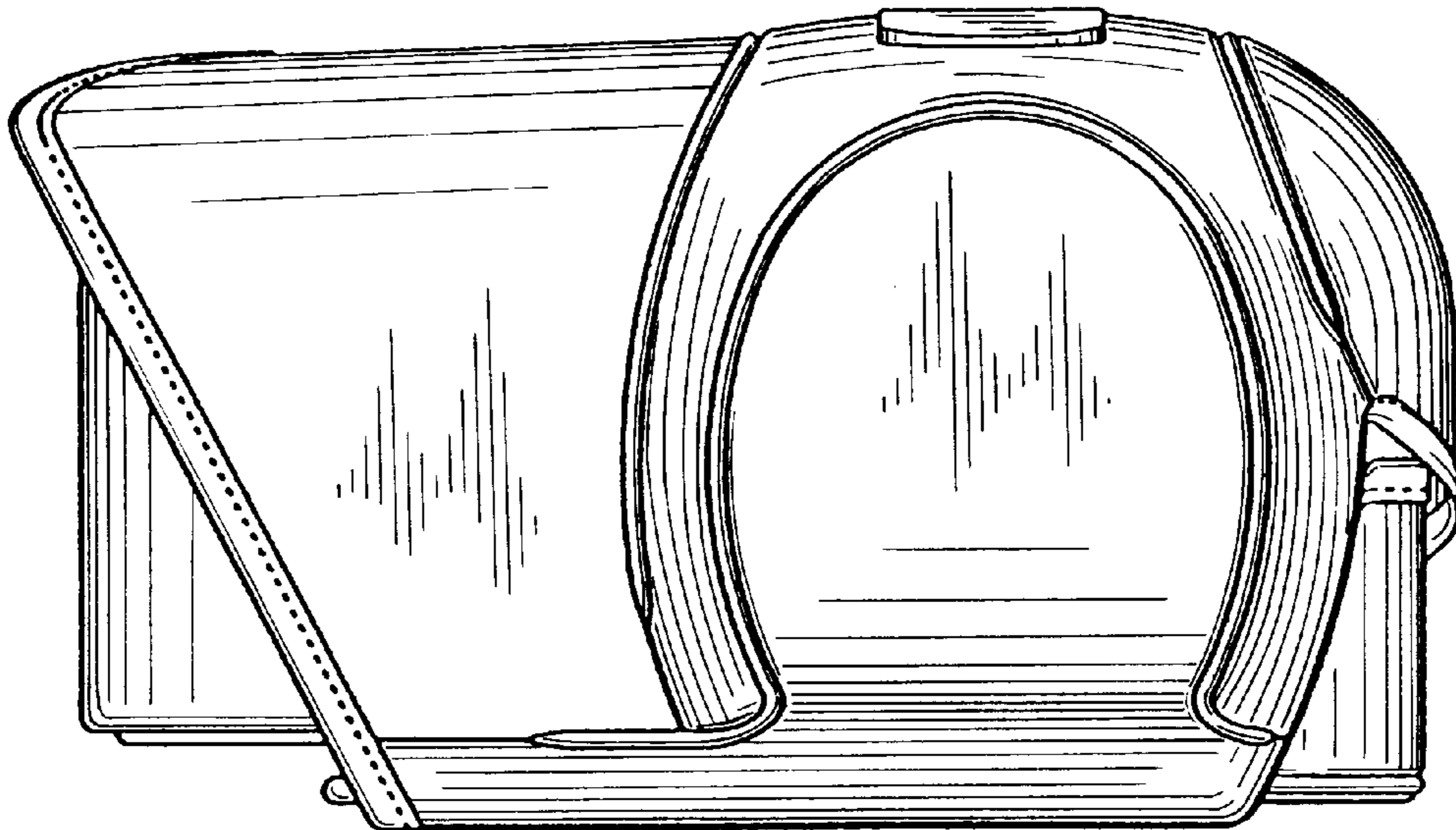


FIG. 2

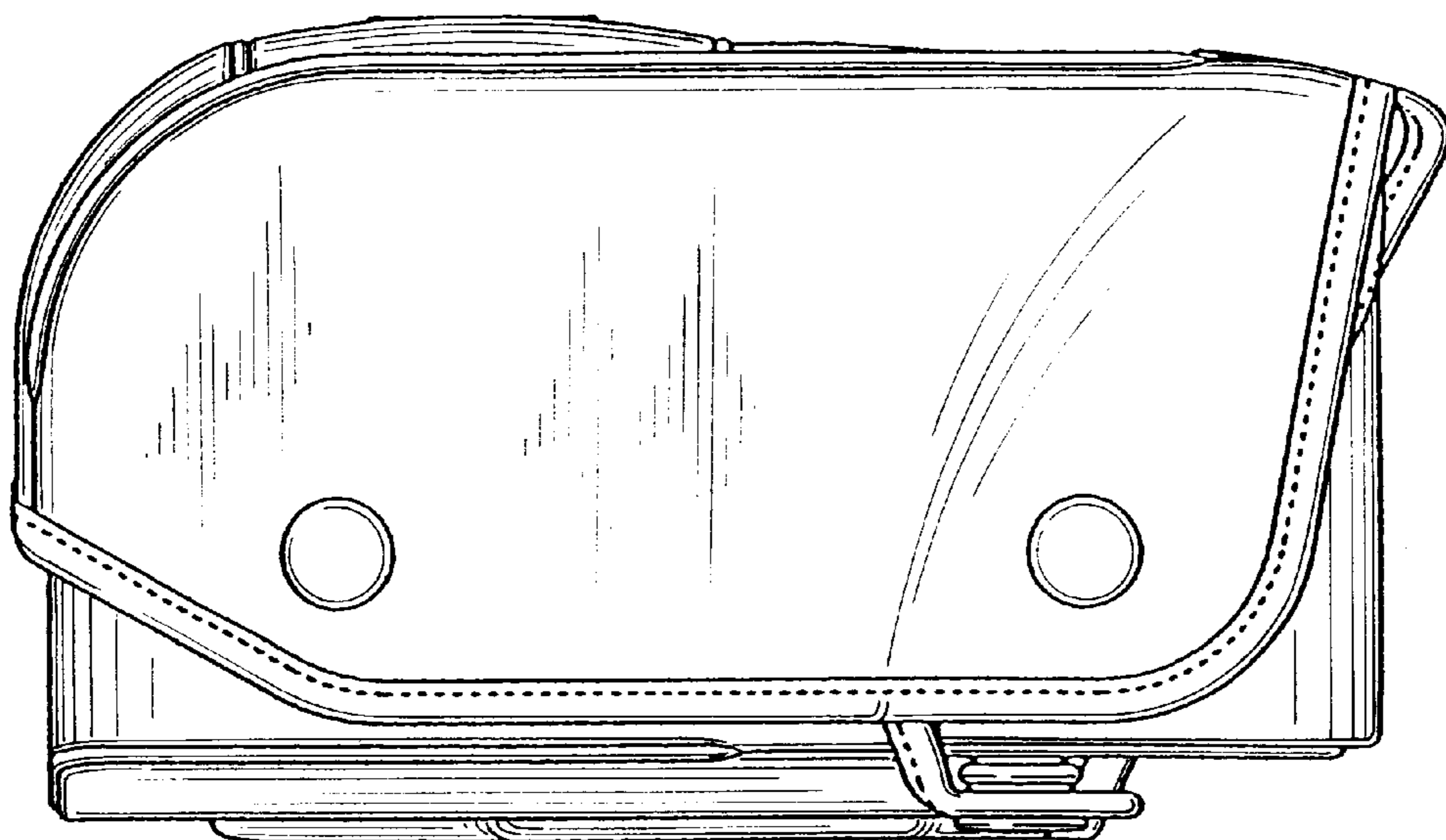


FIG. 3

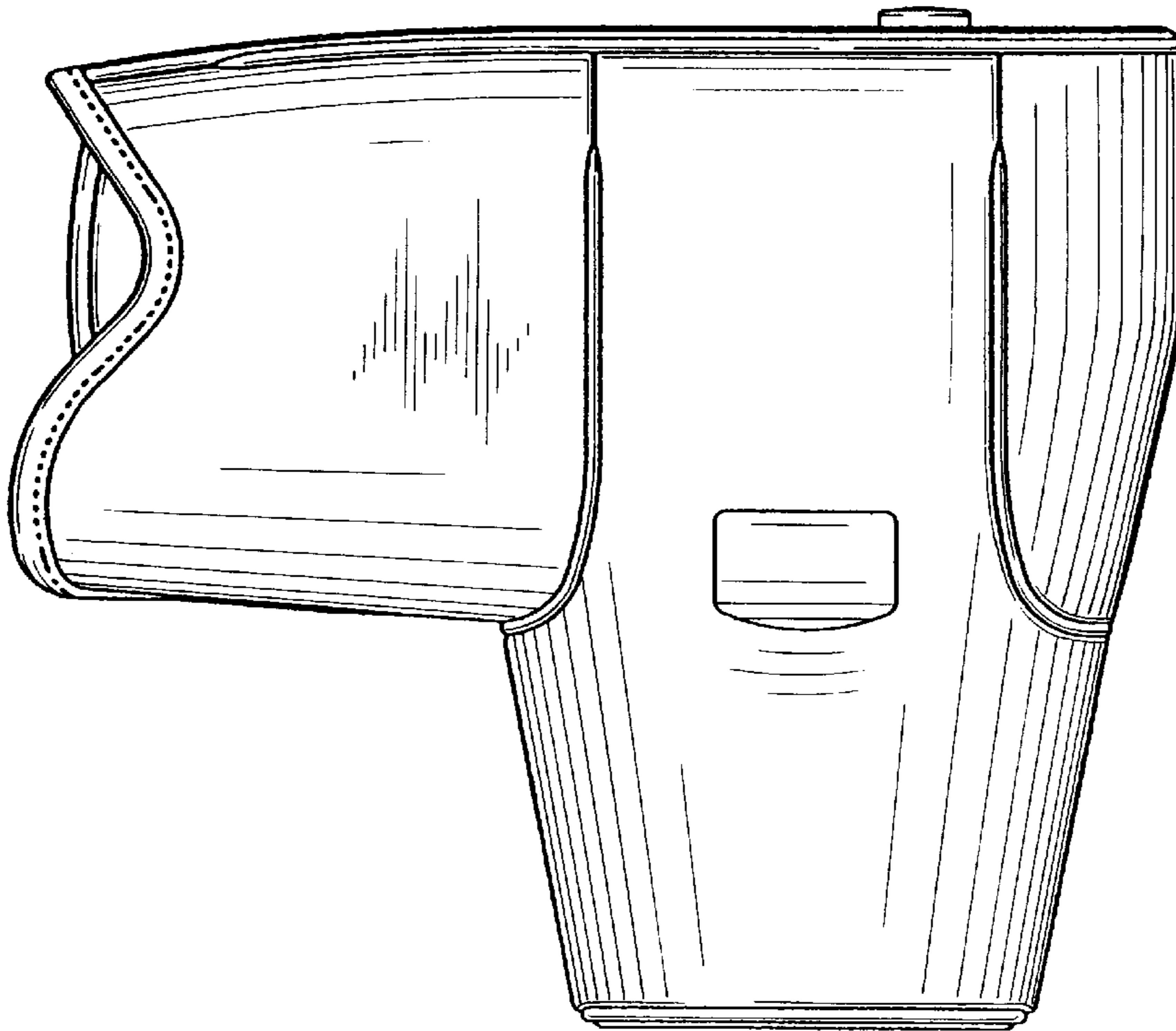


FIG. 4

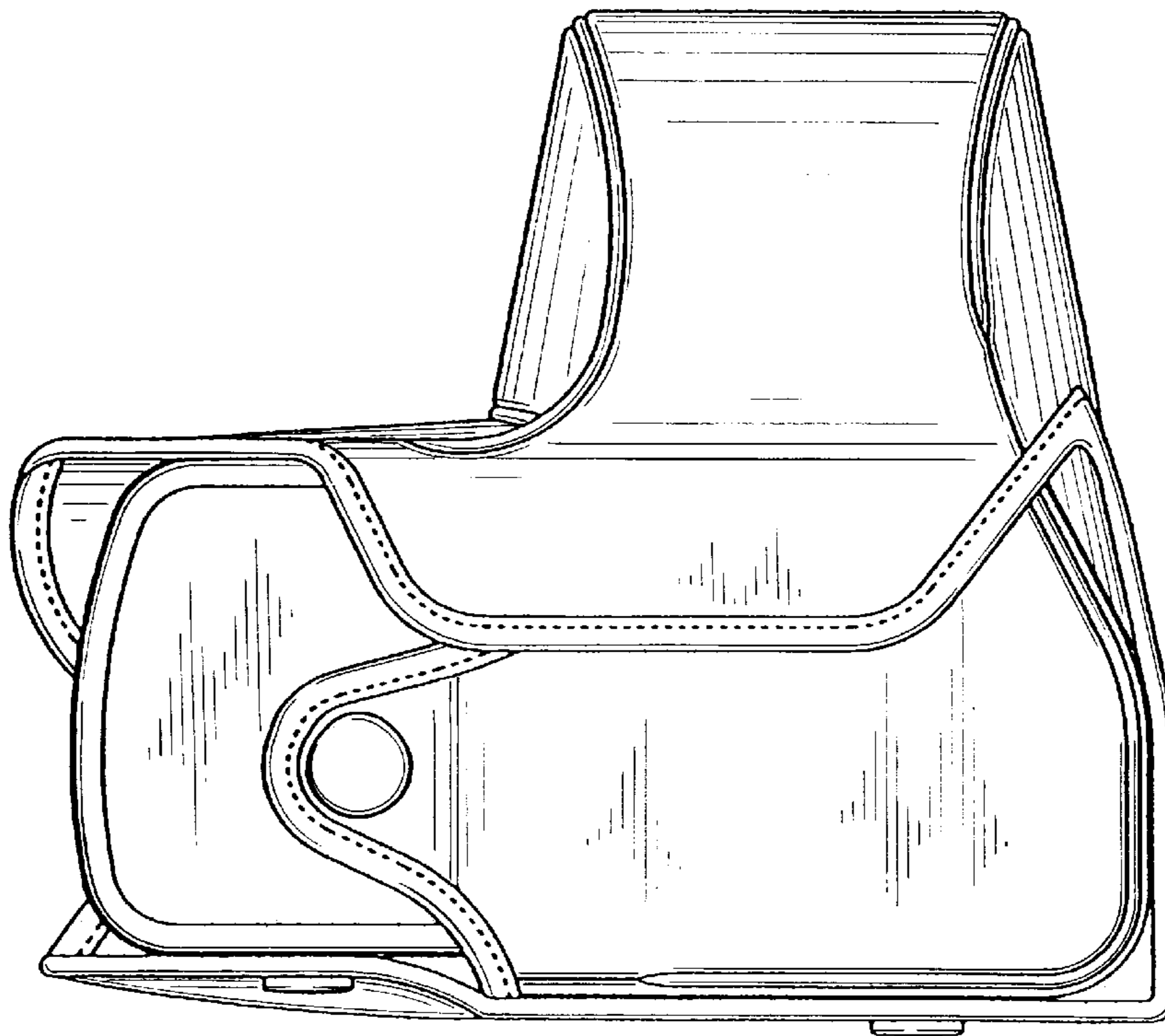


FIG. 5

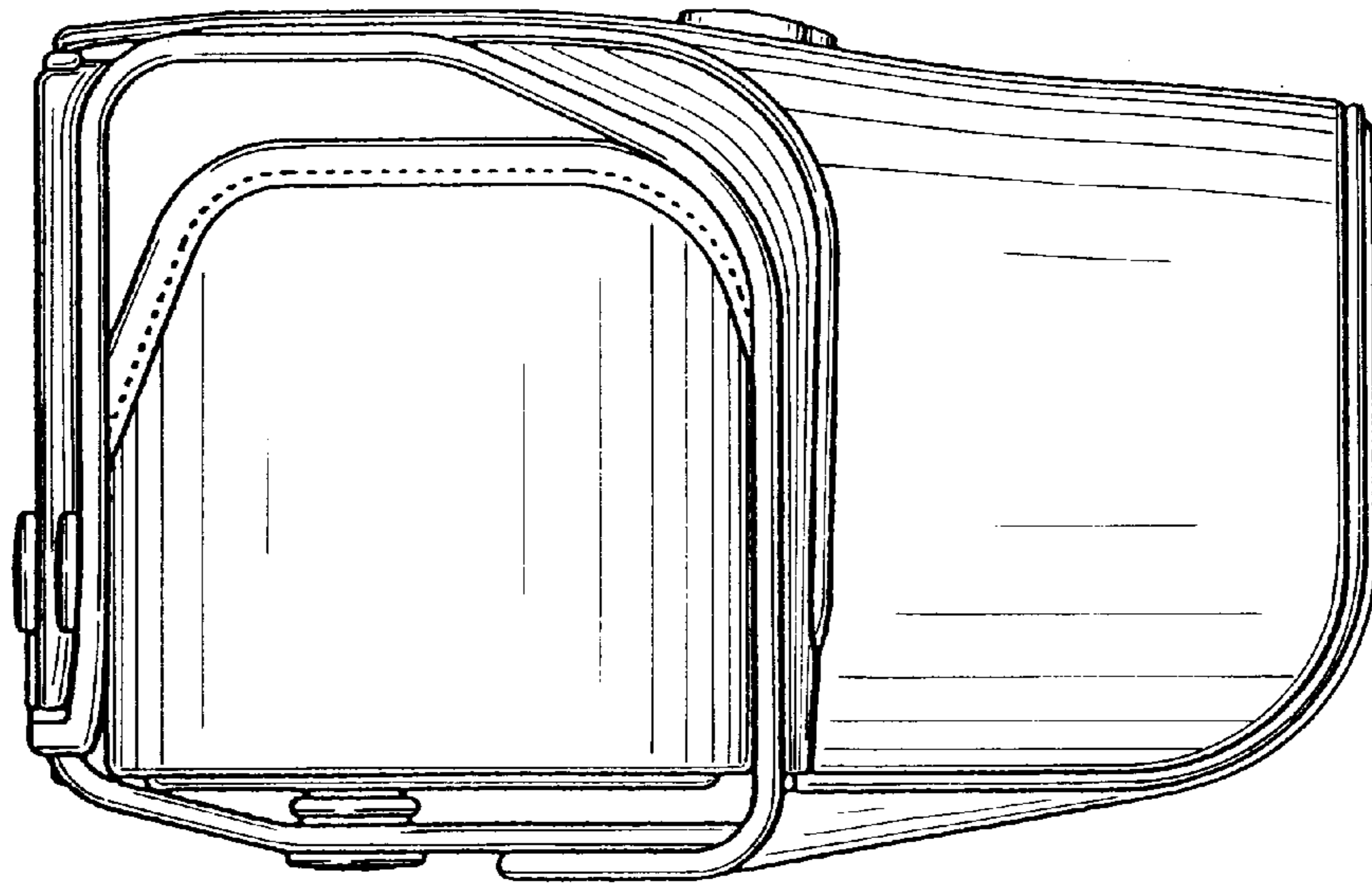


FIG. 6

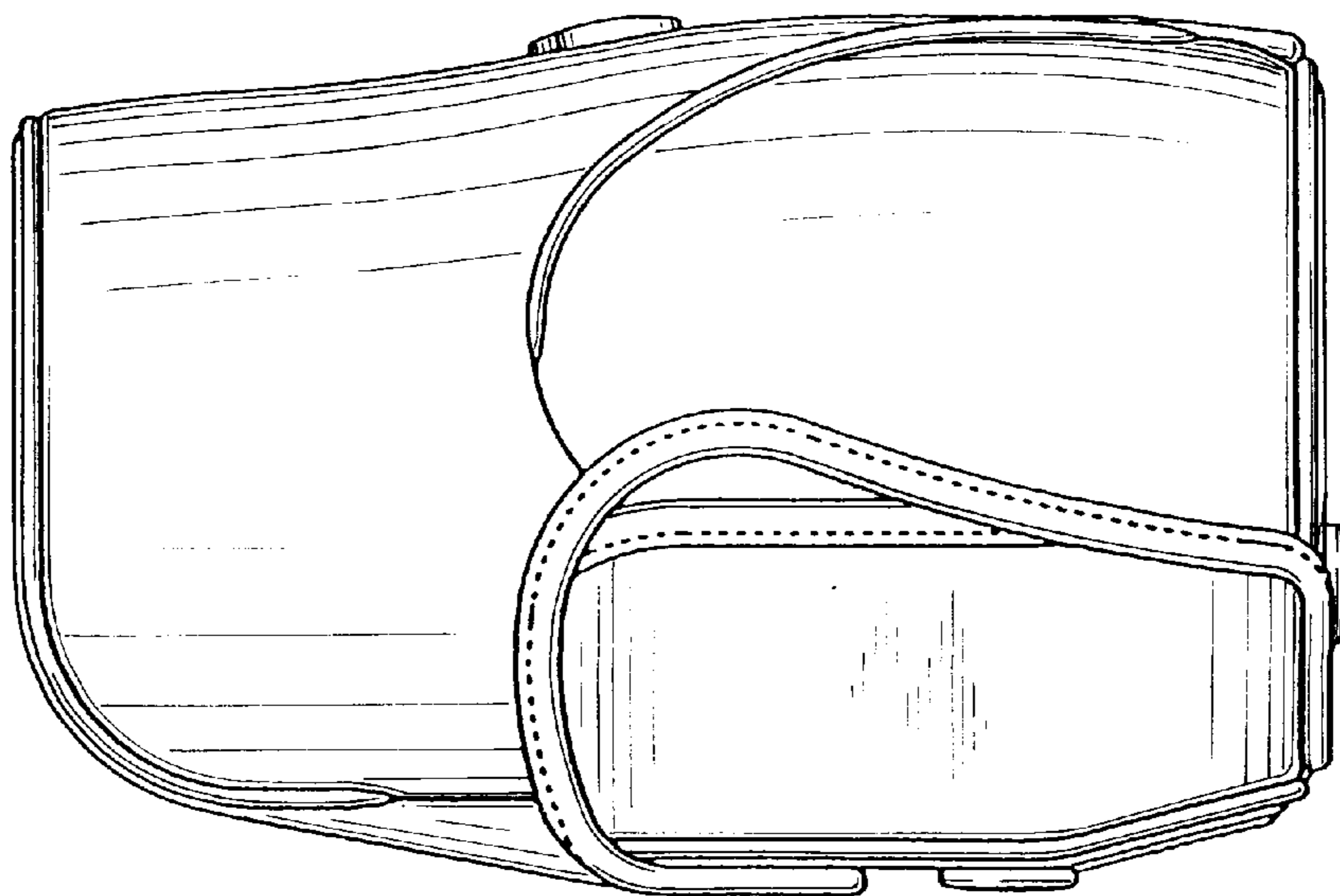


FIG. 7

