



US00D412236S

**United States Patent** [19]  
**von Conta**

[11] **Patent Number: Des. 412,236**  
[45] **Date of Patent: \*\* Jul. 27, 1999**

[54] **SHOE SOLE PERIPHERY**

- [75] Inventor: **Peter von Conta**, Putnum, Conn.
- [73] Assignee: **The Rockport Company, Inc.**,  
Marlborough, Mass.
- [\*\*] Term: **14 Years**
- [21] Appl. No.: **29/084,522**
- [22] Filed: **Mar. 5, 1998**

**Related U.S. Application Data**

- [62] Division of application No. 29/067,380, Mar. 5, 1997, Pat. No. Des. 394,145.
- [51] **LOC (6) Cl.** ..... **02-04**
- [52] **U.S. Cl.** ..... **D2/946; D2/972**
- [58] **Field of Search** ..... D2/969, 947, 951-960,  
D2/902, 907, 908, 910, 911, 912, 972,  
977; 36/114, 50.1, 102, 116

[56] **References Cited**

**U.S. PATENT DOCUMENTS**

D. 296,952	8/1988	Brown et al. .	
D. 329,941	10/1992	Hatfield .....	D2/953
D. 338,326	8/1993	Dolinsky .....	D2/947
D. 366,354	1/1996	Yoshikawa et al. ....	D2/951
D. 378,472	3/1997	Bramani .....	D2/953
D. 388,682	1/1998	Hudson .....	D2/972
D. 390,690	2/1998	Murai et al. ....	D2/953
D. 391,065	2/1998	Keurbis .....	D2/972
D. 393,350	4/1998	Aveni .....	D2/972
D. 394,343	5/1998	Marshall et al. ....	D2/954
D. 398,743	9/1998	Rask .....	D2/972
4,132,016	1/1979	Vaccari .....	36/114

**OTHER PUBLICATIONS**

The W7500, ProWalker 7330 and the W7440 shoes, The Rockport Company Spring 1994 catalog, p. 24.  
 The M3290 XCS shoe, The Rockport Fall 94 catalog, p. 1.  
 The CXT Plus Mid shoe, The Reebok "It's Time to Play" Footwear Spring 1991 catalog.  
 The Pump CXT Mid shoe, The Reebok Footwear Fall 1991 catalog.  
 The Merrill Jungle Runner, Sportstyle Feb. 1998 magazine, p. 60.

*Primary Examiner*—Louis S. Zarfes  
*Assistant Examiner*—G. Andoll  
*Attorney, Agent, or Firm*—Sterne, Kessler, Goldstein, & Fox PLLC

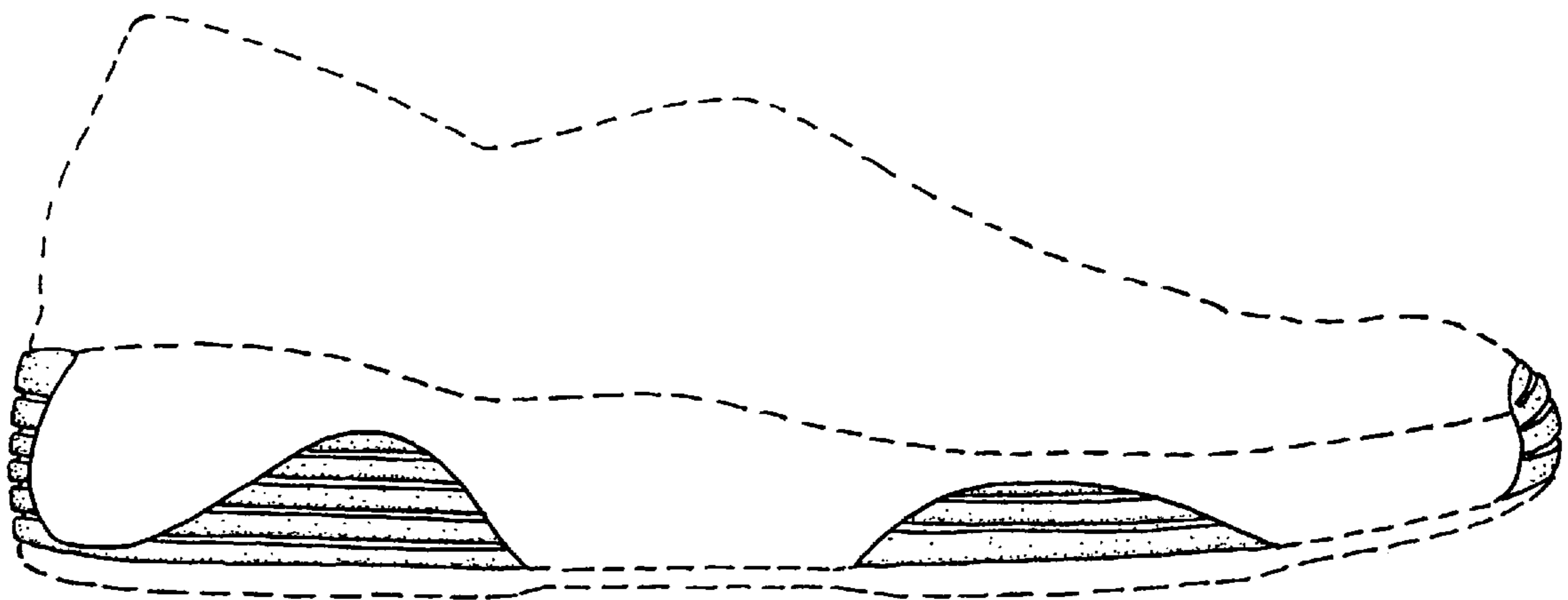
[57] **CLAIM**

The ornamental design for a shoe sole periphery, as shown and described.

**DESCRIPTION**

FIG. 1 is a left side elevational view of a shoe sole periphery showing my new design;  
 FIG. 2 is a right side elevational view thereof;  
 FIG. 3 is a front elevational view thereof;  
 FIG. 4 is a rear elevational view thereof;  
 FIG. 5 is a left side elevational view of a shoe sole periphery showing an alternate embodiment of my new design;  
 FIG. 6 is a right side elevational view thereof;  
 FIG. 7 is a front elevational view thereof; and,  
 FIG. 8 is a rear elevational view thereof.  
 The broken line showing of a shoe sole and of a shoe upper in FIGS. 1-8 is environmental only and forms no part of the claimed design.

**1 Claim, 2 Drawing Sheets**



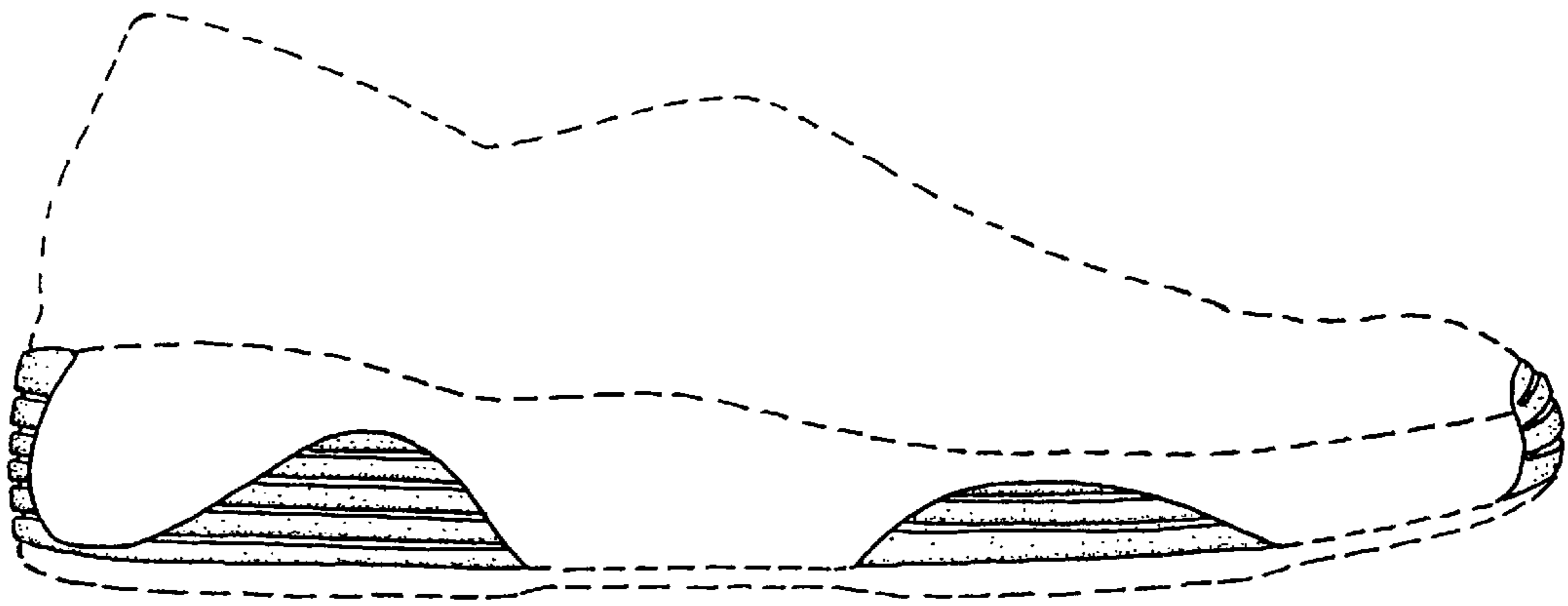


FIG. 1

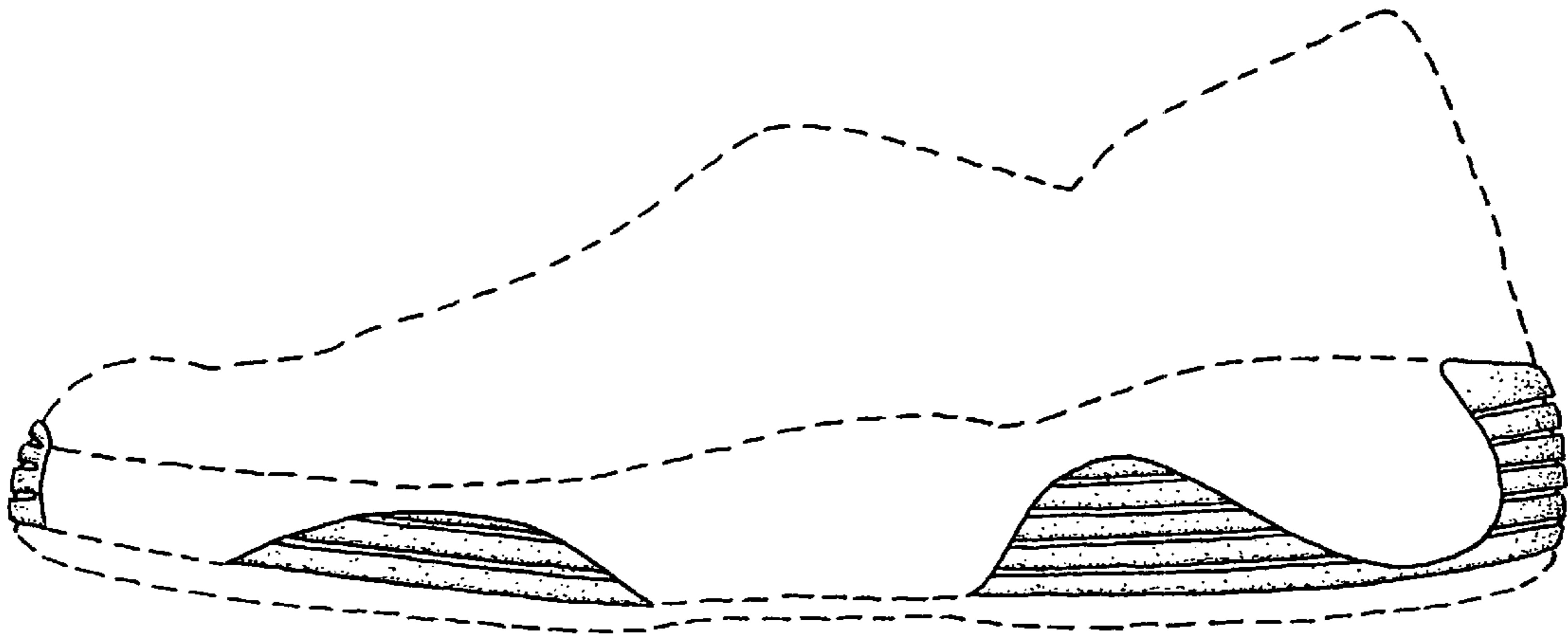


FIG. 2

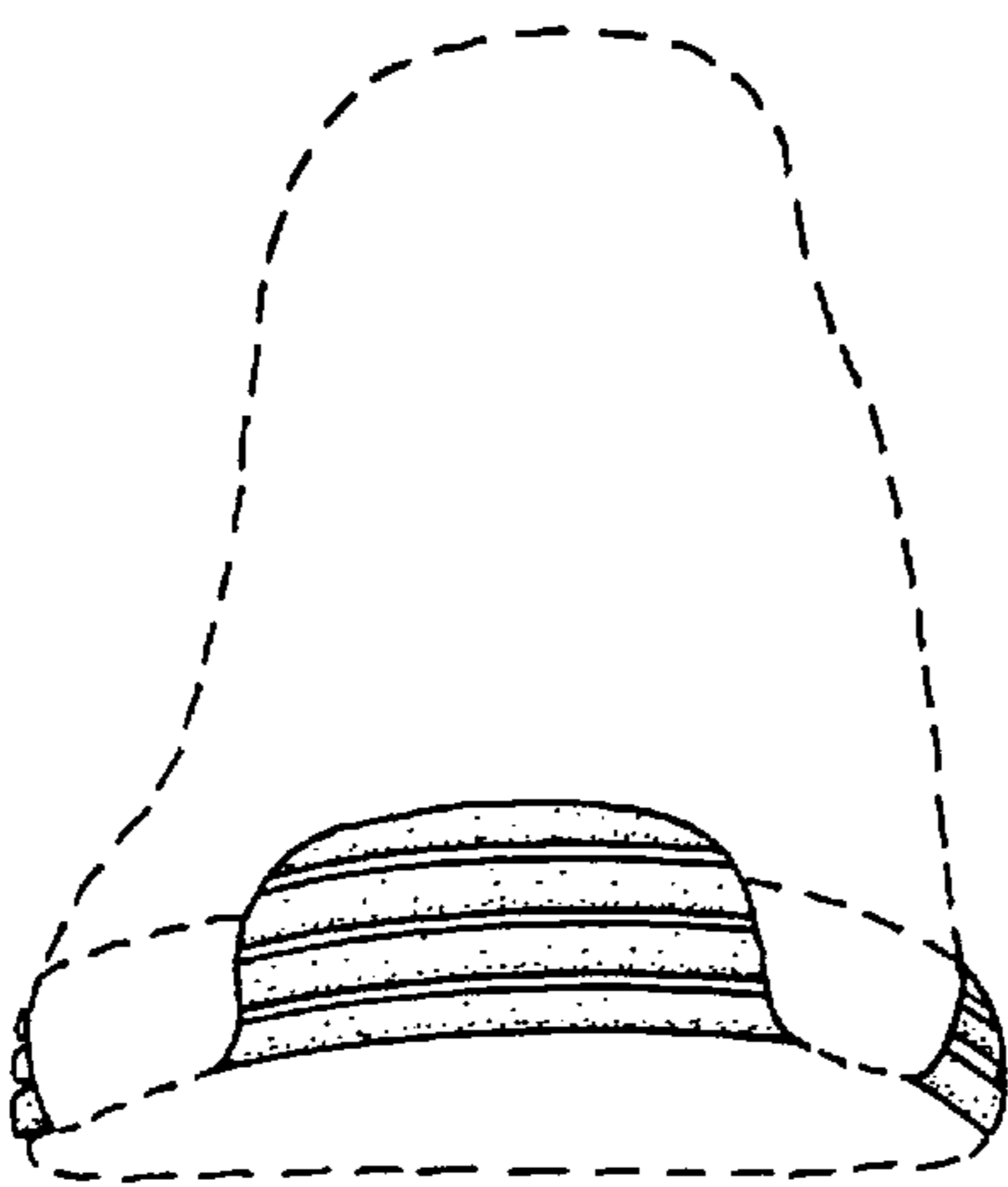


FIG. 3

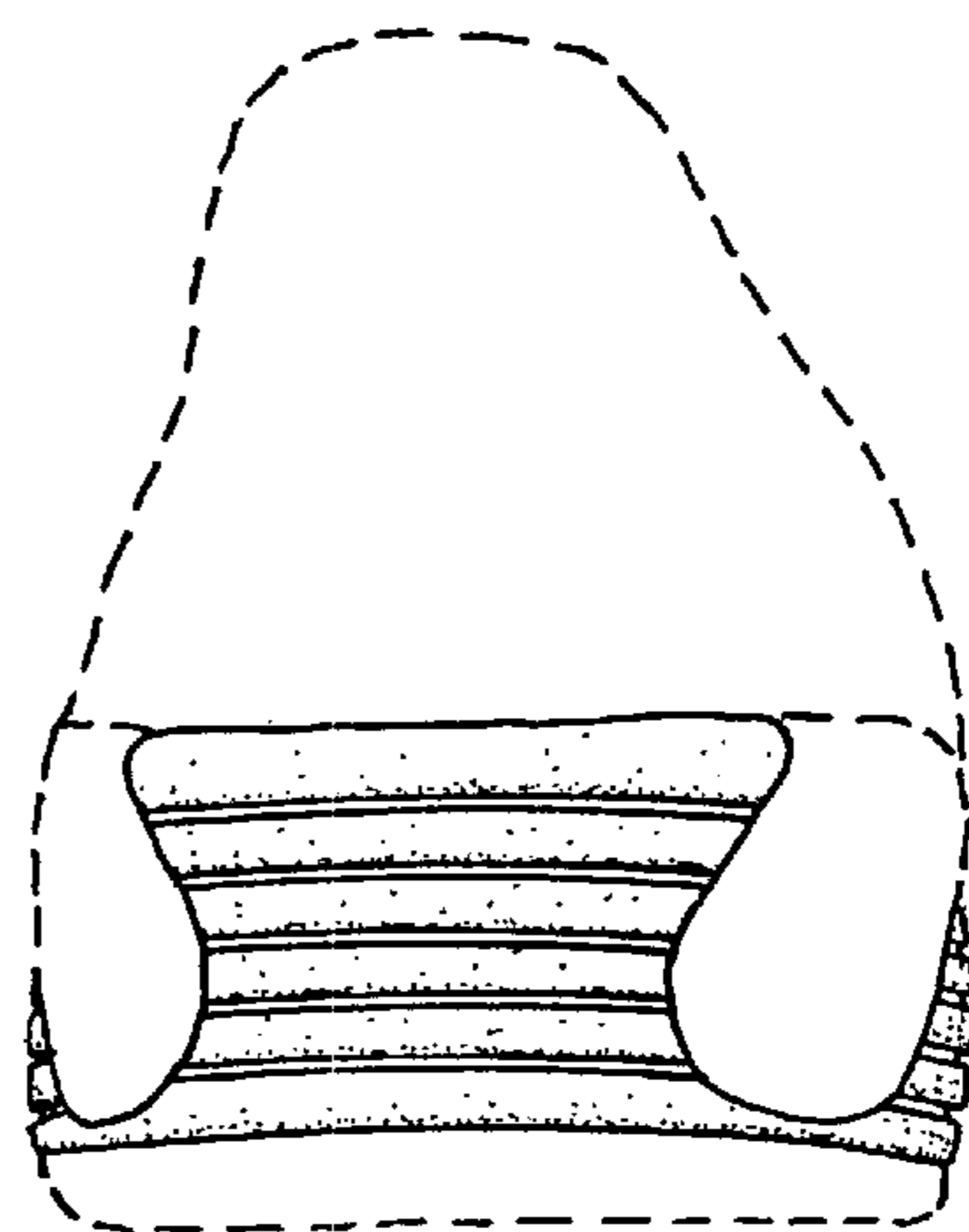


FIG. 4

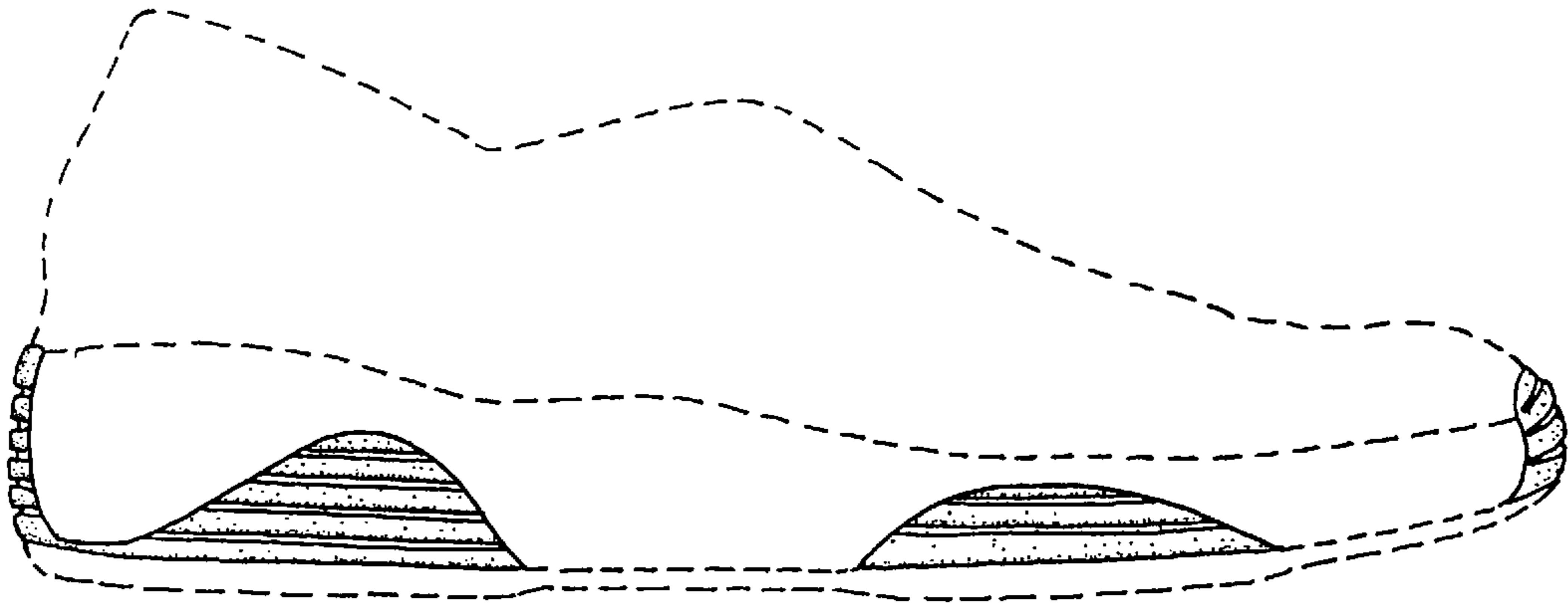


FIG. 5

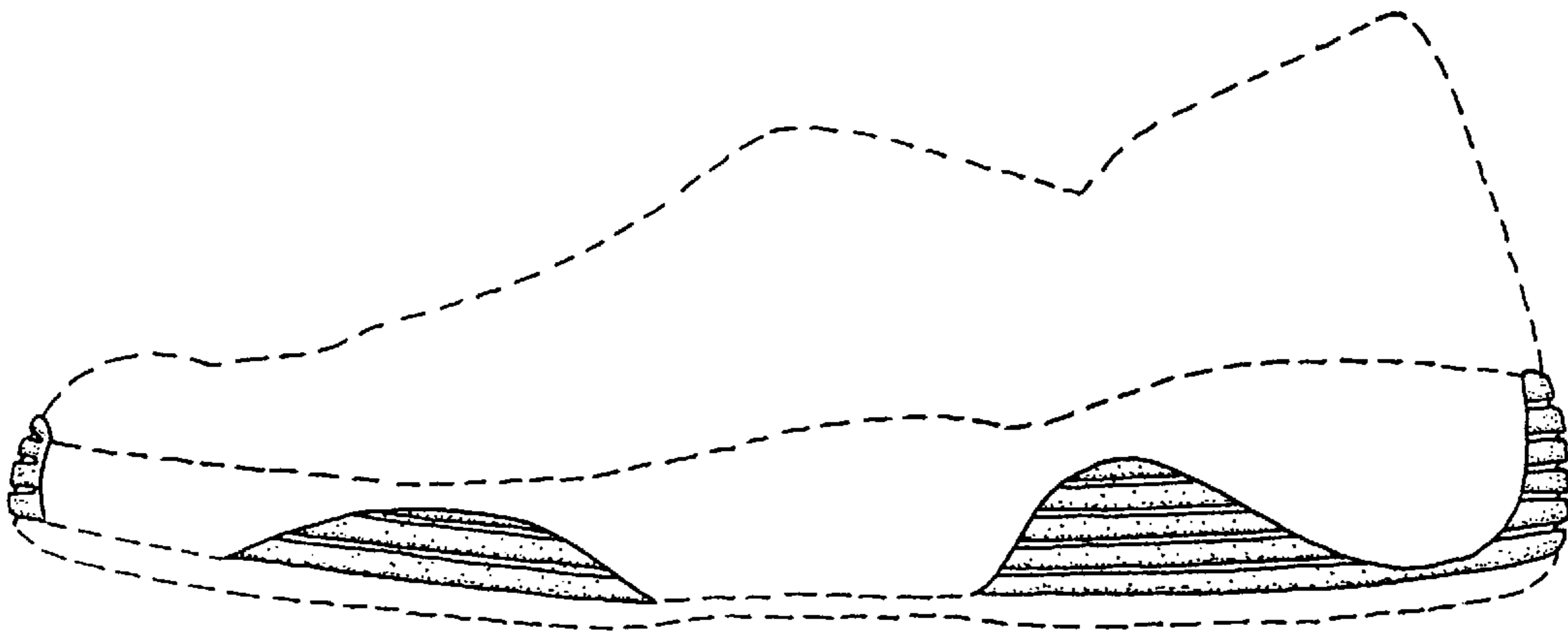


FIG. 6

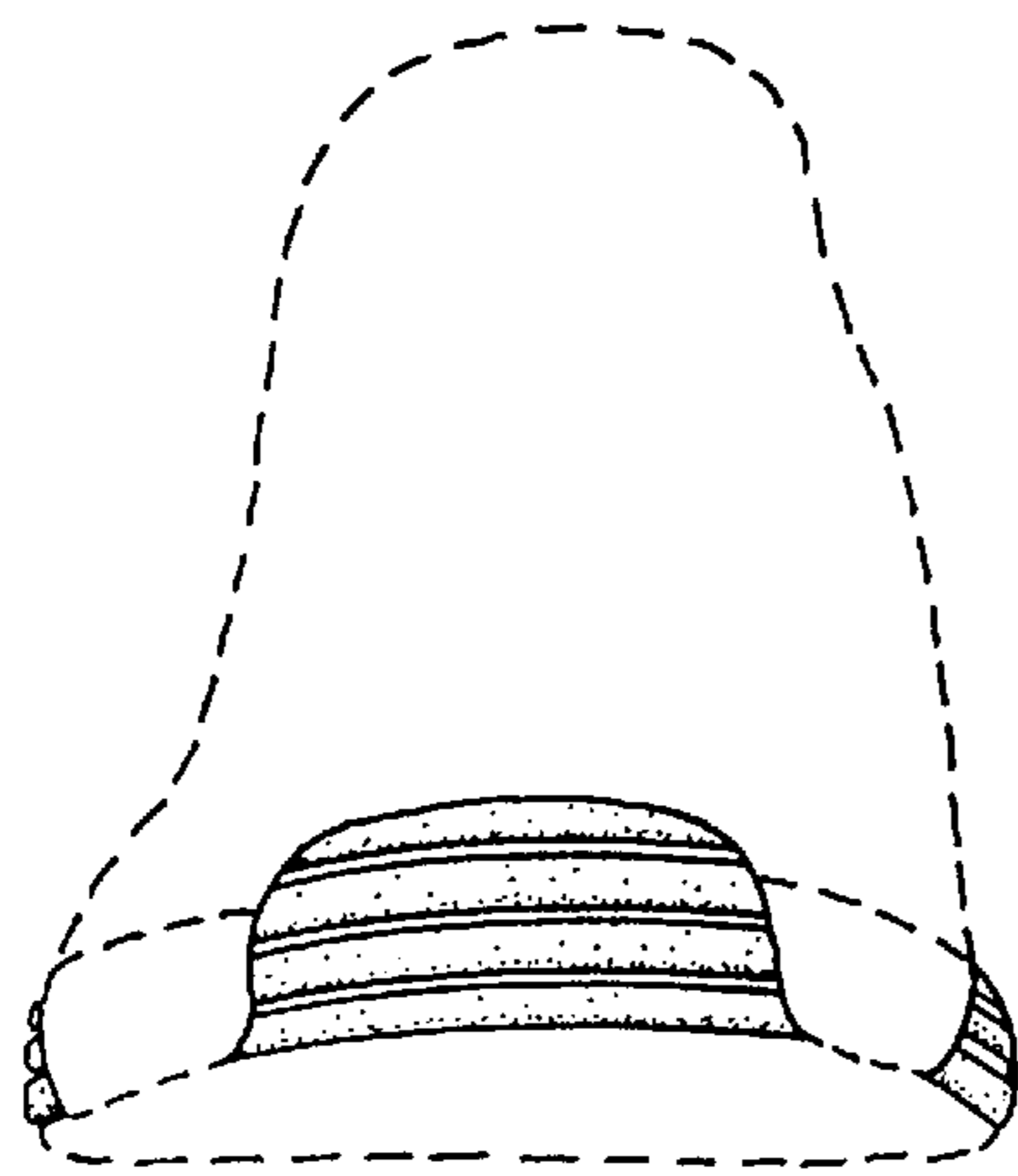


FIG. 7

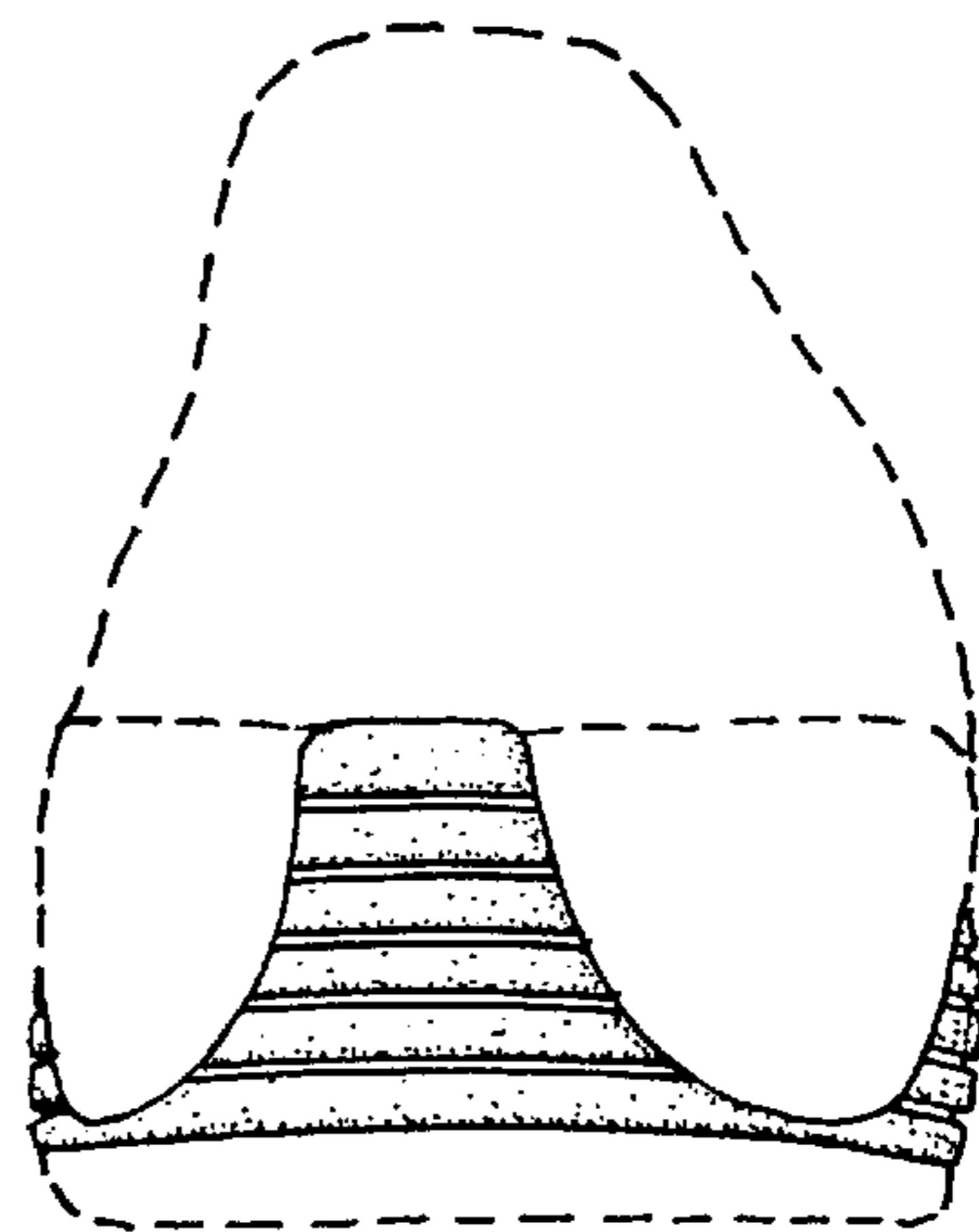


FIG. 8