



US00D412233S

United States Patent [19]
Cajacob et al.

[11] **Patent Number: Des. 412,233**
[45] **Date of Patent: ** Jul. 20, 1999**

[54] **KIOSK**
[75] Inventors: **Carol J. Cajacob**, Long Lake, Minn.;
Phil Marusek, Carlsbad, Calif.; **David R. Schwob**, Eden Prairie, Minn.;
Kimberly J. Voss, San Marcos, Calif.

[73] Assignee: **ScoreCast, Inc.**, Minnetonka, Minn.

[**] Term: **14 Years**

[21] Appl. No.: **29/089,227**

[22] Filed: **Jun. 10, 1998**

[51] **LOC (6) Cl.** **20-01**

[52] **U.S. Cl.** **D99/28; D20/10; D14/102**

[58] **Field of Search** **D99/28, 35, 41; D10/46, 103; D14/102, 100, 113, 130; D20/10, 19, 41; 235/379, 380, 381, 382**

[56] **References Cited**

U.S. PATENT DOCUMENTS

D. 208,981	10/1967	Hansen	D10/46
D. 322,966	1/1992	Kasano et al.	D14/113
D. 324,701	3/1992	Capps	D20/10 X
D. 378,082	2/1997	Wilson	D14/100

D. 378,534	3/1997	Kato et al.	D20/10
D. 388,229	12/1997	Couch	D14/102
D. 389,522	1/1998	Hesselbach et al.	D20/10
D. 391,565	3/1998	Nanjo	D14/130
D. 394,458	5/1998	Watanabe et al.	D20/10
D. 395,129	6/1998	Johnson	D99/28
D. 396,931	8/1998	Ng	D14/113
D. 401,973	12/1998	Isshiki et al.	D20/10
5,721,420	2/1998	May	235/379

Primary Examiner—Paula A. Mortimer
Attorney, Agent, or Firm—Schwegman, Lundberg, Woessner & Kluth, P.A.

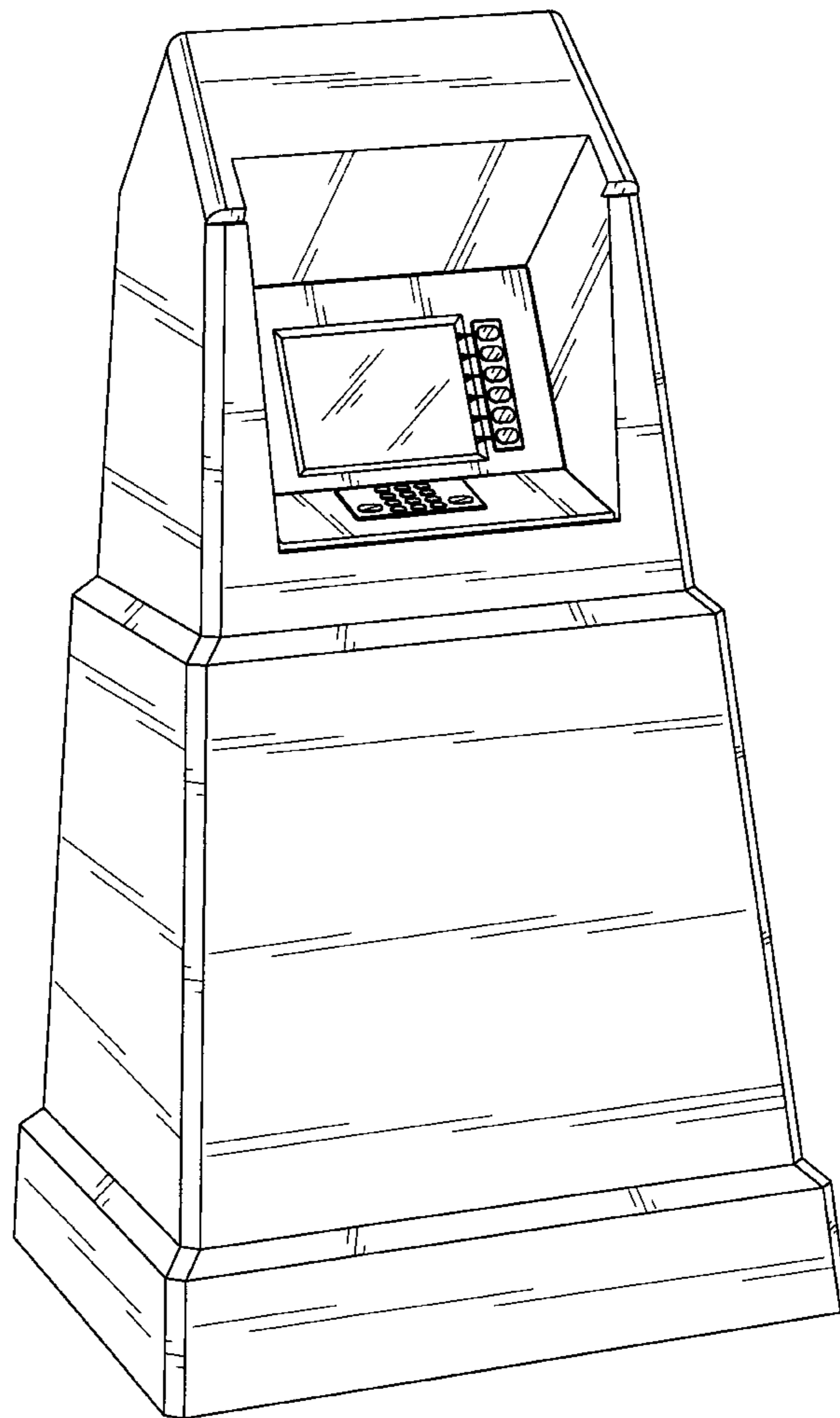
[57] **CLAIM**

The ornamental design for a kiosk, as shown and described.

DESCRIPTION

FIG. 1 is a front perspective view of a kiosk showing our new design;
FIG. 2 is a front elevation of the kiosk of FIG. 1;
FIG. 3 is a rear elevation of the kiosk of FIG. 1;
FIG. 4 is a right side elevation the kiosk of FIG. 1;
FIG. 5 is a left side elevation the kiosk of FIG. 1, and
FIG. 6 is a top plan of the kiosk of FIG. 1; and,
FIG. 7 is a bottom plan of the kiosk of FIG. 1.

1 Claim, 7 Drawing Sheets



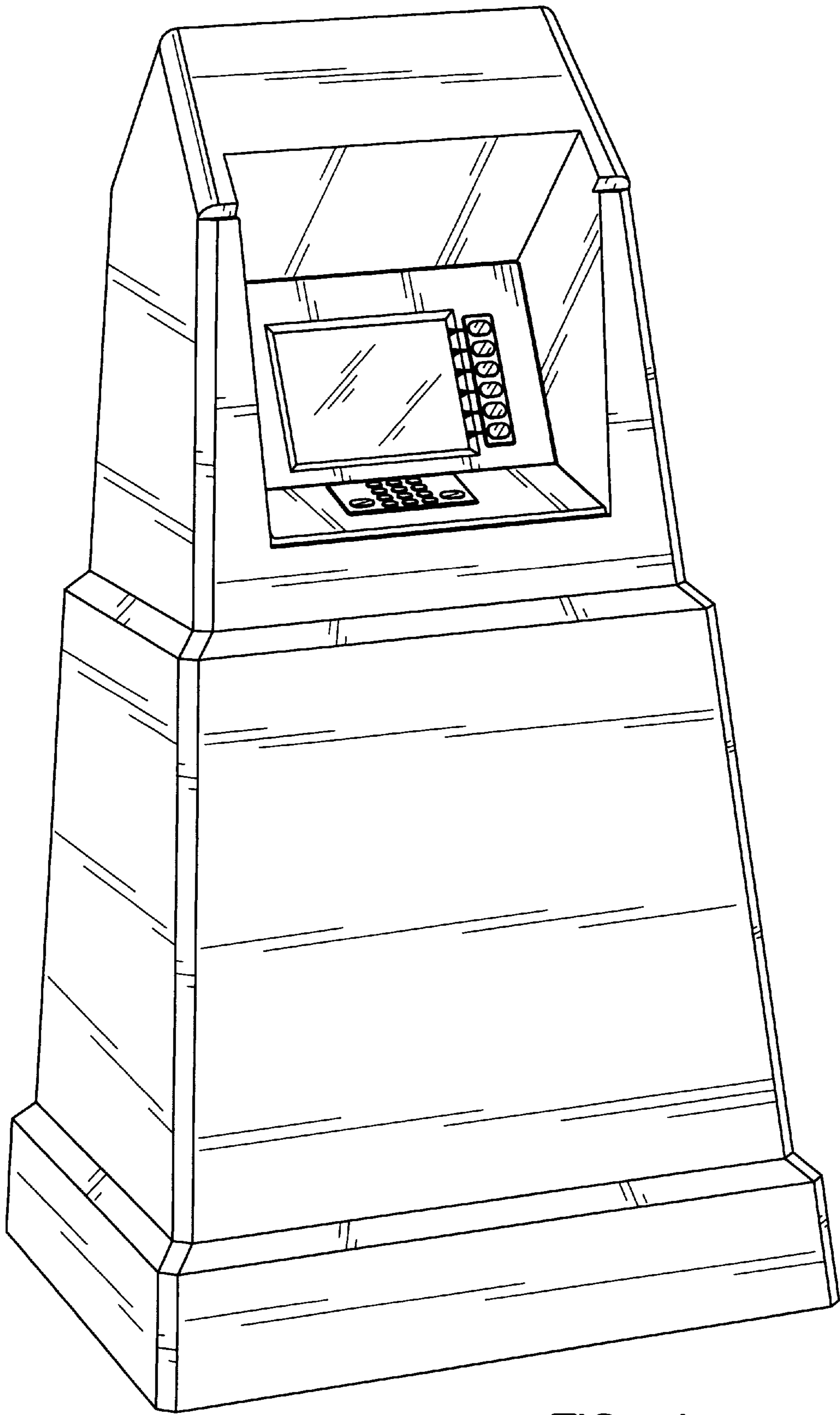


FIG. 1

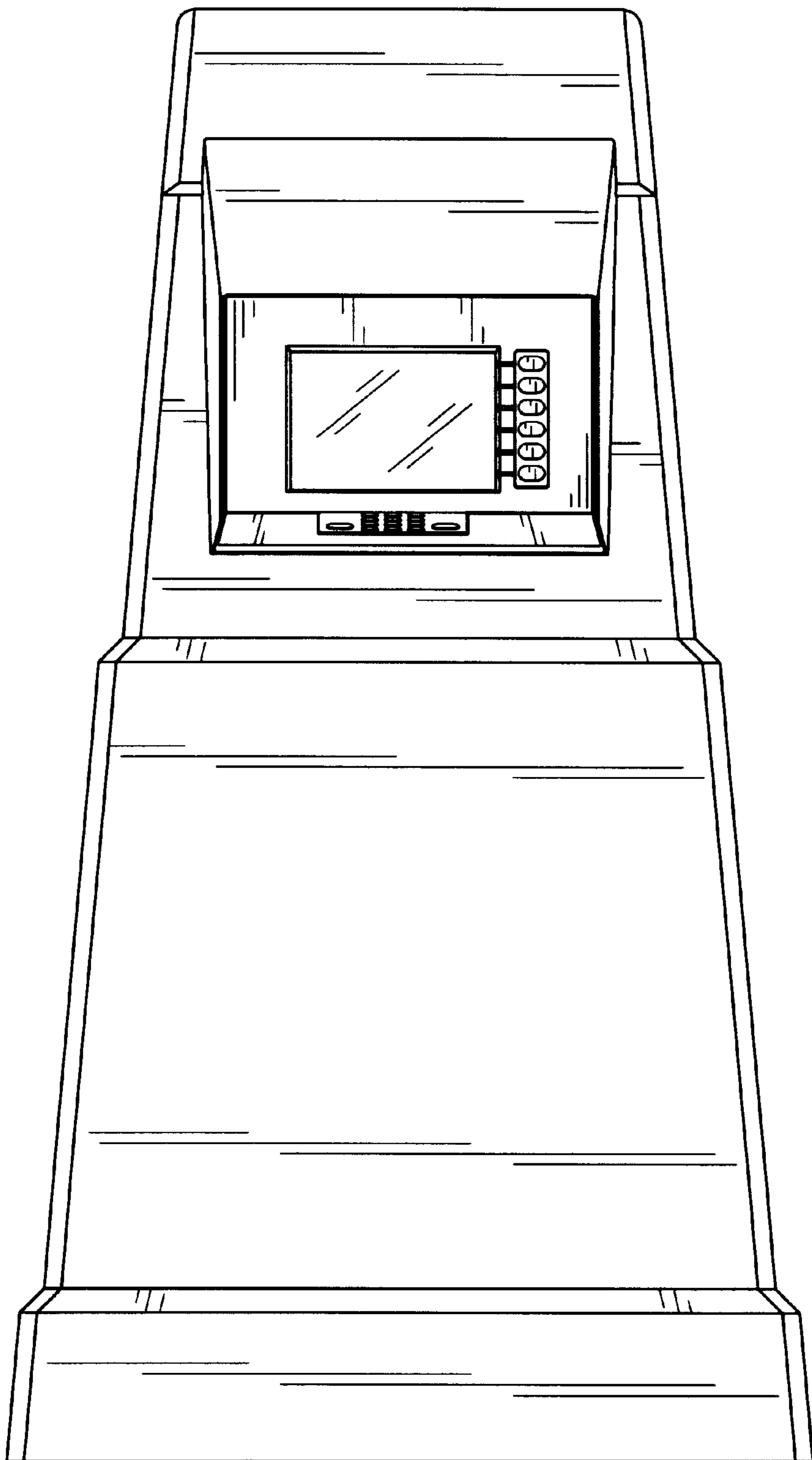


FIG. 2

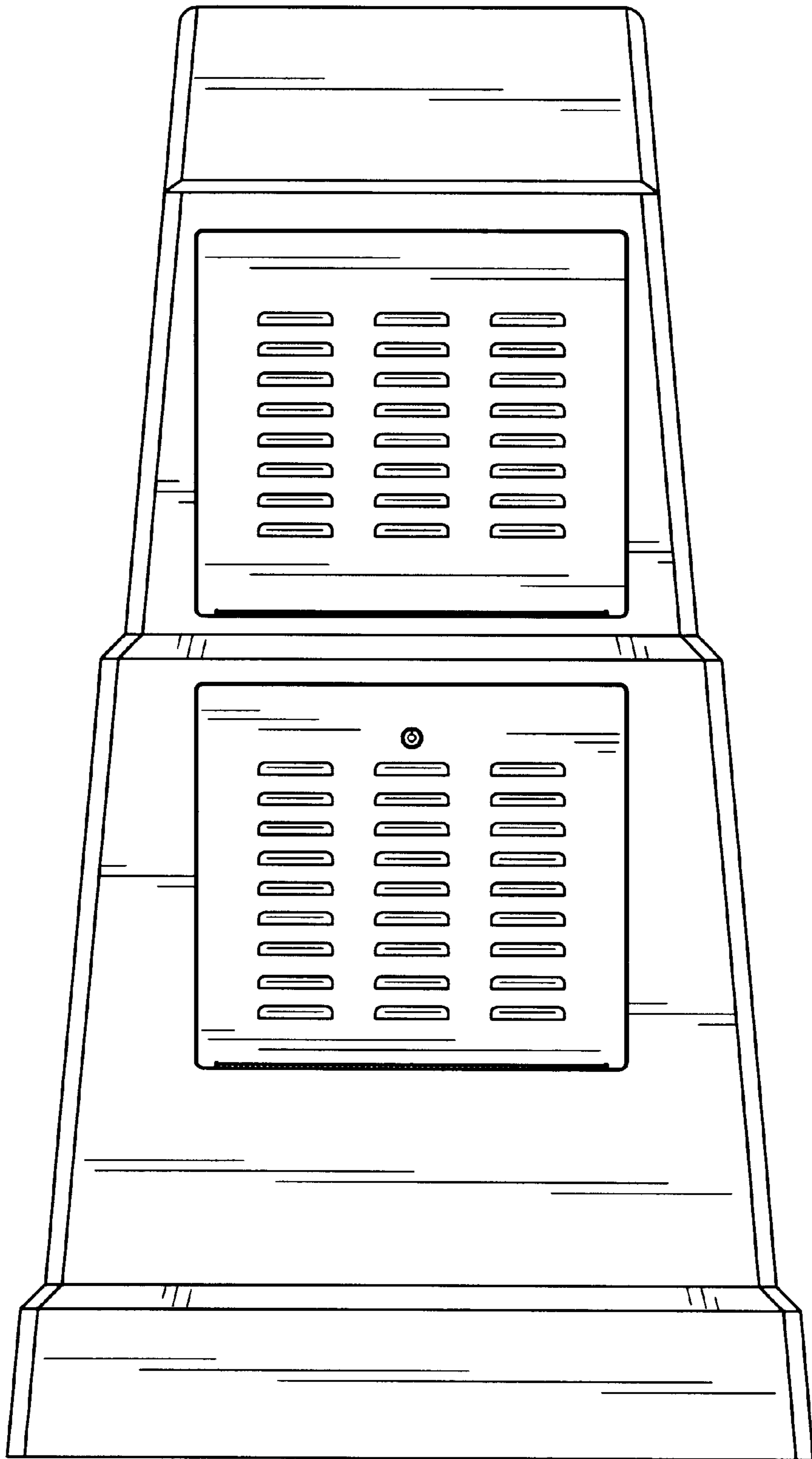


FIG. 3

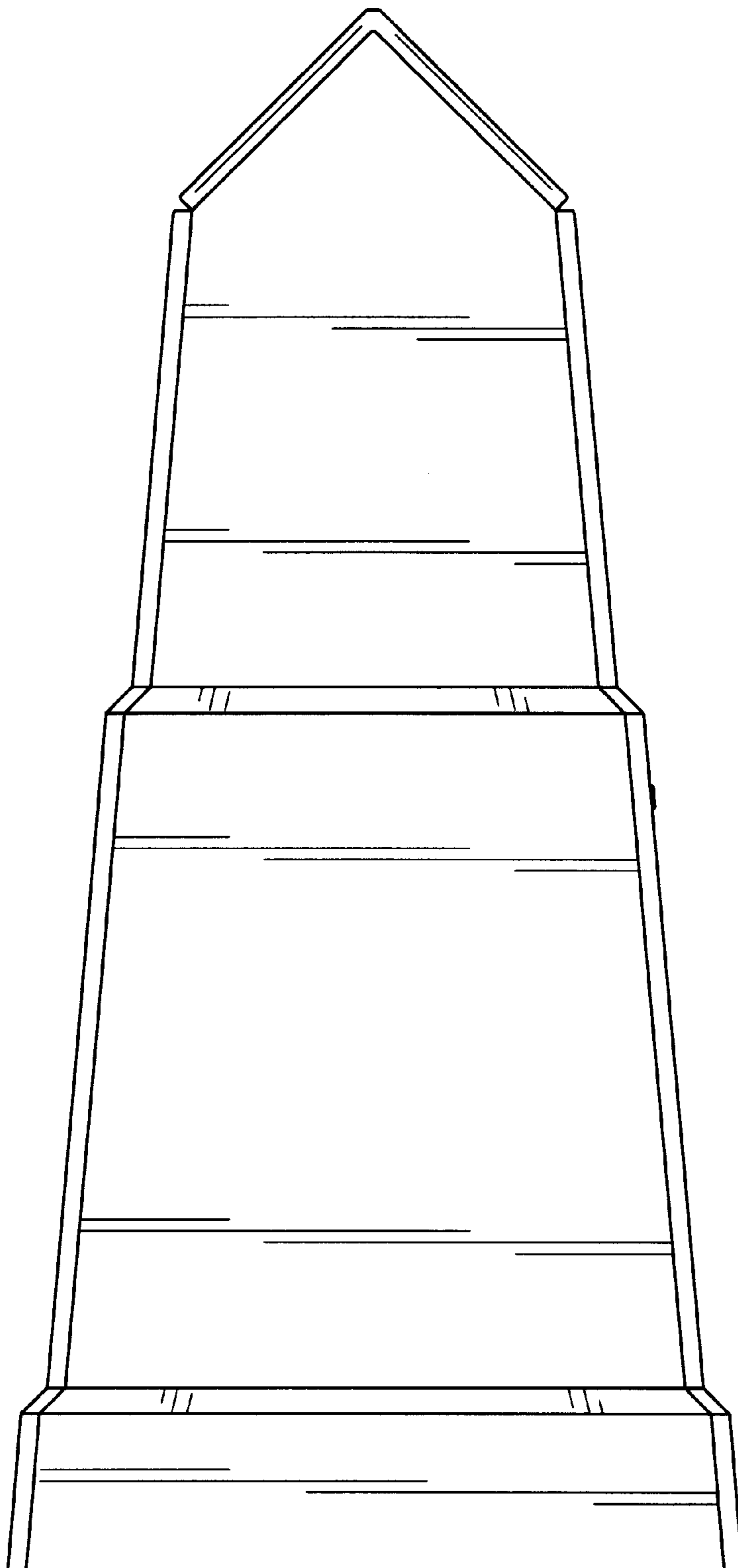


FIG. 4

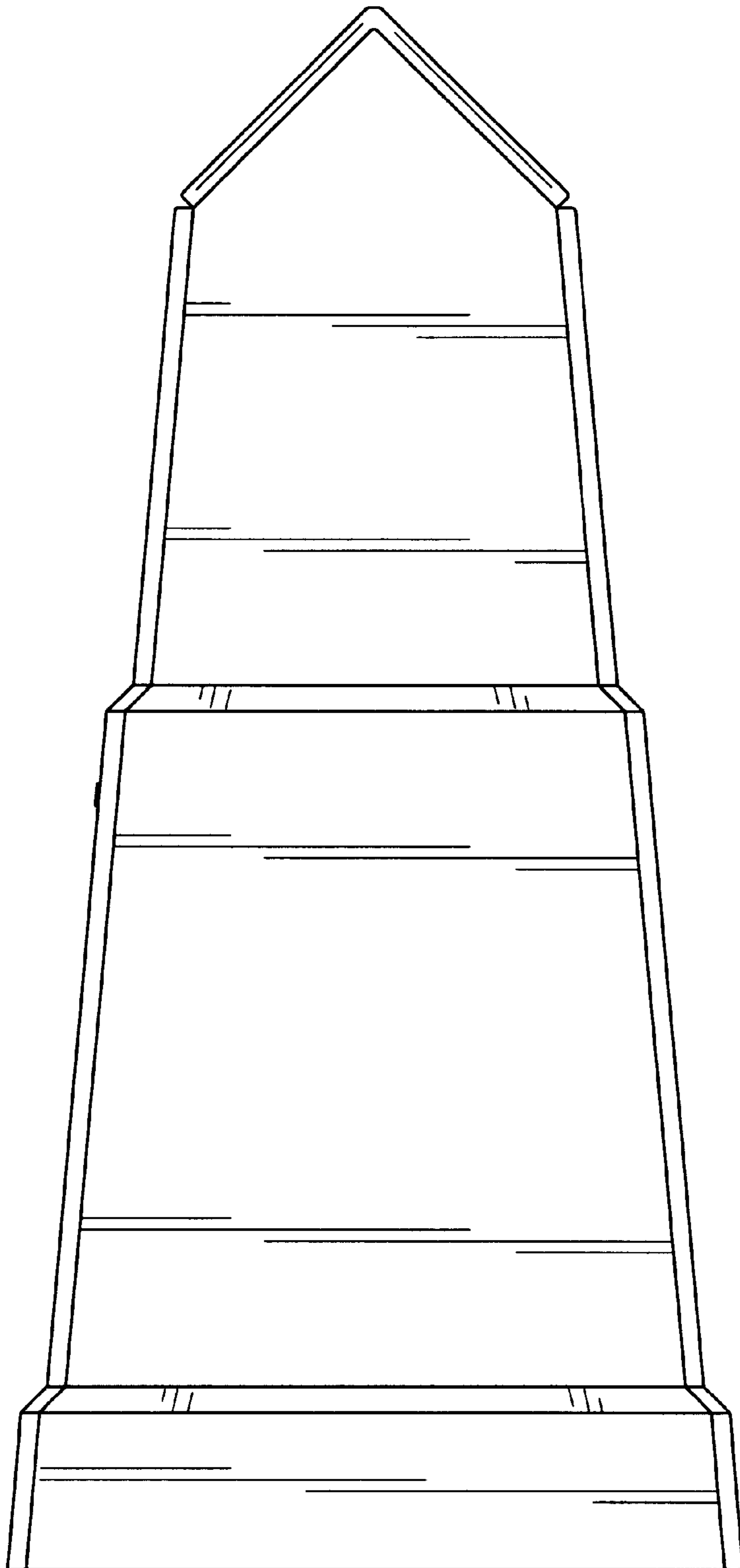


FIG. 5

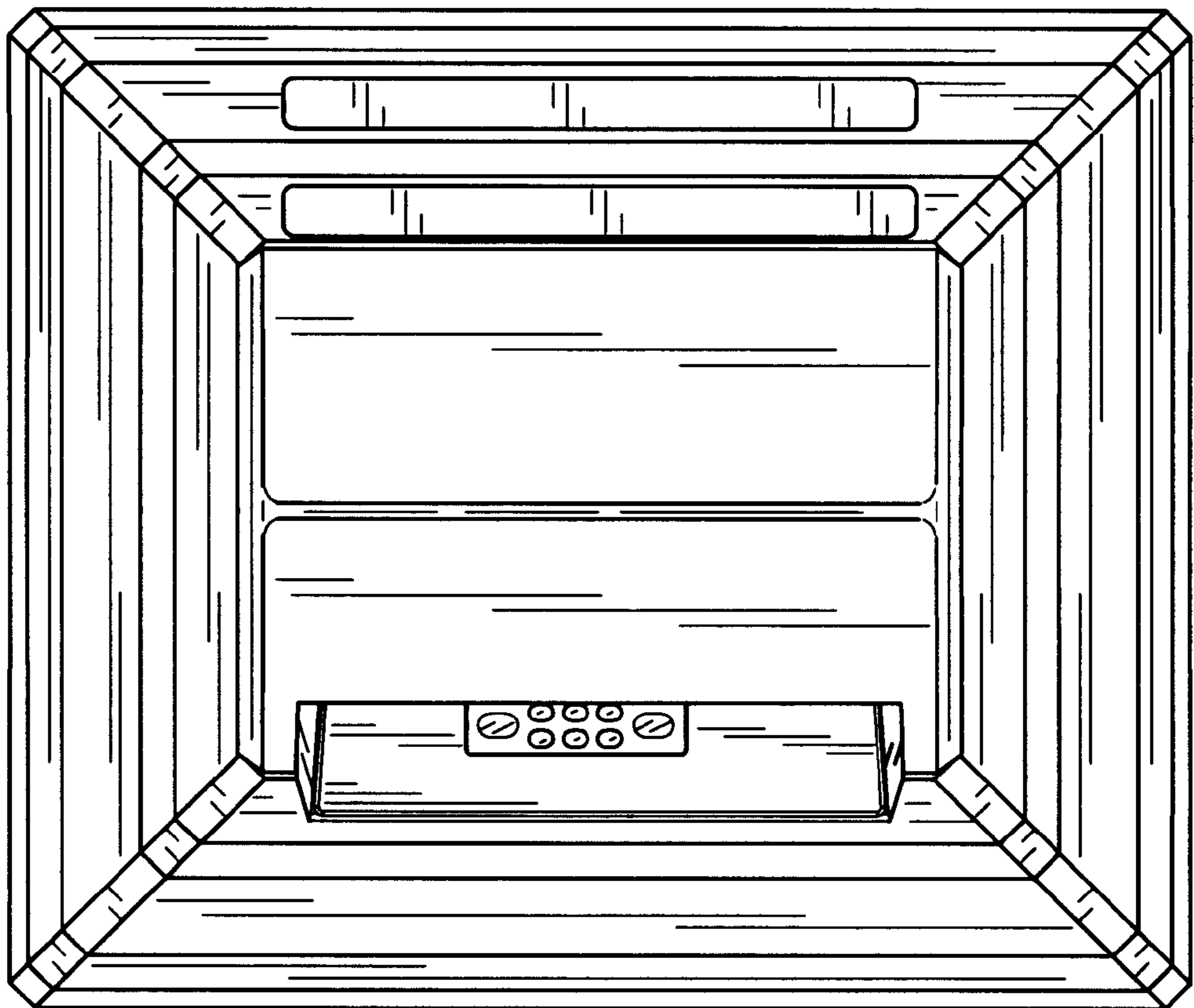


FIG. 6

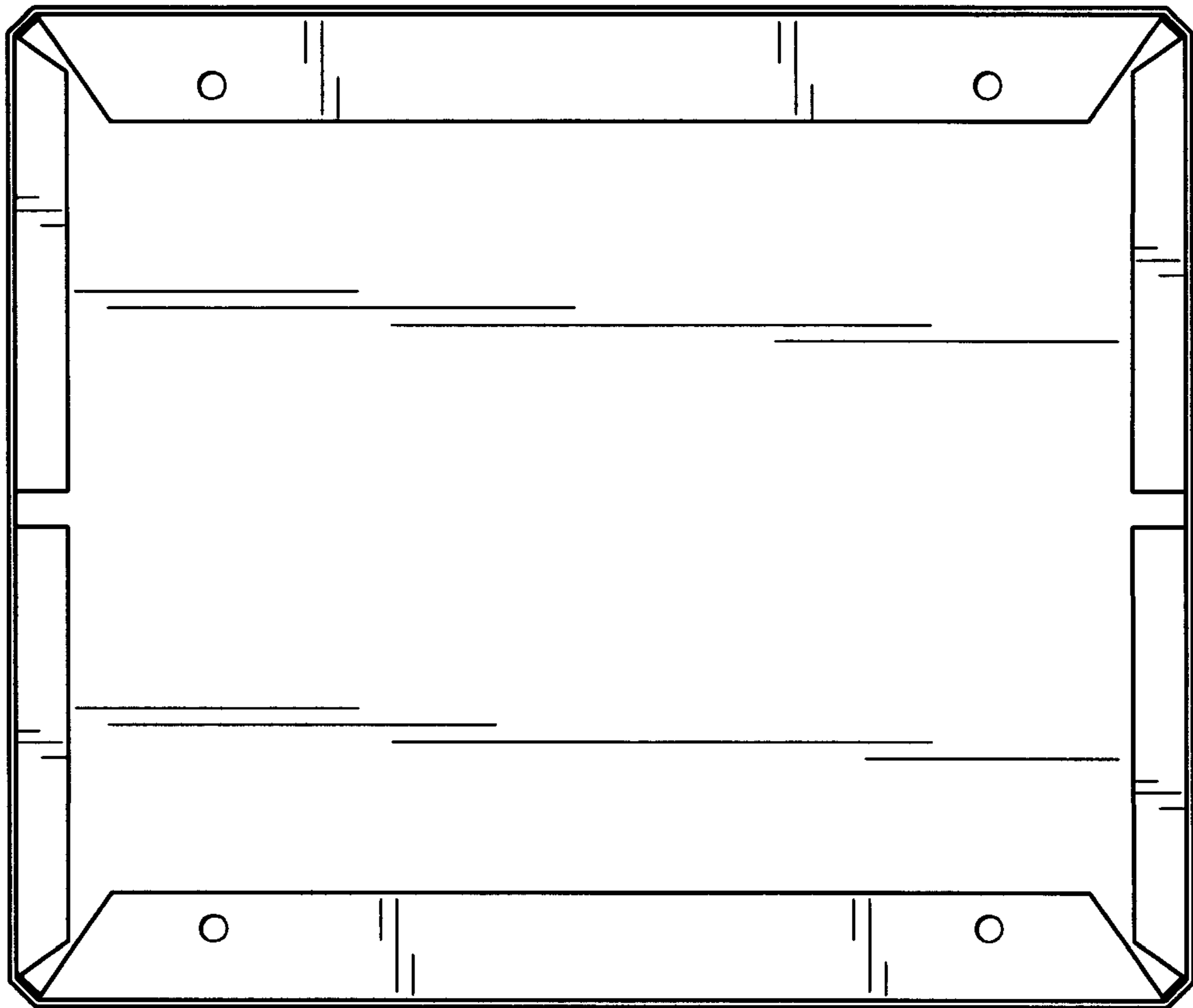


FIG. 7