



US00D412231S

# United States Patent [19]

Williams et al.

[11] Patent Number: **Des. 412,231**

[45] Date of Patent: **\*\* Jul. 20, 1999**

[54] **BOOT DRYER**

[75] Inventors: **Gary Albert Williams**, Langley;  
**Robert Ivor Williams**, West Vancouver,  
both of Canada

[73] Assignee: **Williams Boot & Glove Dryers Inc.**,  
Langley, Canada

[\*\*] Term: **14 Years**

[21] Appl. No.: **29/090,513**

[22] Filed: **Jul. 10, 1998**

### Related U.S. Application Data

[51] **LOC (6) Cl.** ..... **07-05**  
[52] **U.S. Cl.** ..... **D32/58**  
[58] **Field of Search** ..... D32/58, 59; 223/113,  
223/114; D6/315, 317, 320, 323, 552, 567,  
569; 34/103, 104, 106, 239; 211/34, 35,  
37, 38

### [56] References Cited

#### U.S. PATENT DOCUMENTS

D. 310,742 9/1990 Johnson ..... D32/58

D. 367,382 2/1996 Tseng ..... D32/59 X  
D. 383,274 9/1997 Wilson ..... D32/58  
D. 383,276 9/1997 Janney ..... D32/58  
2,943,741 7/1960 Atkinson ..... 211/34  
3,589,522 6/1971 Chiodo ..... 211/34  
5,222,308 6/1993 Barker et al. .... 34/104  
5,632,099 5/1997 Seifert et al. .... 34/106  
5,692,316 12/1997 Antal ..... 34/106

*Primary Examiner*—Susan J. Lucas  
*Assistant Examiner*—Cynthia Ramirez  
*Attorney, Agent, or Firm*—Norman M. Cameron

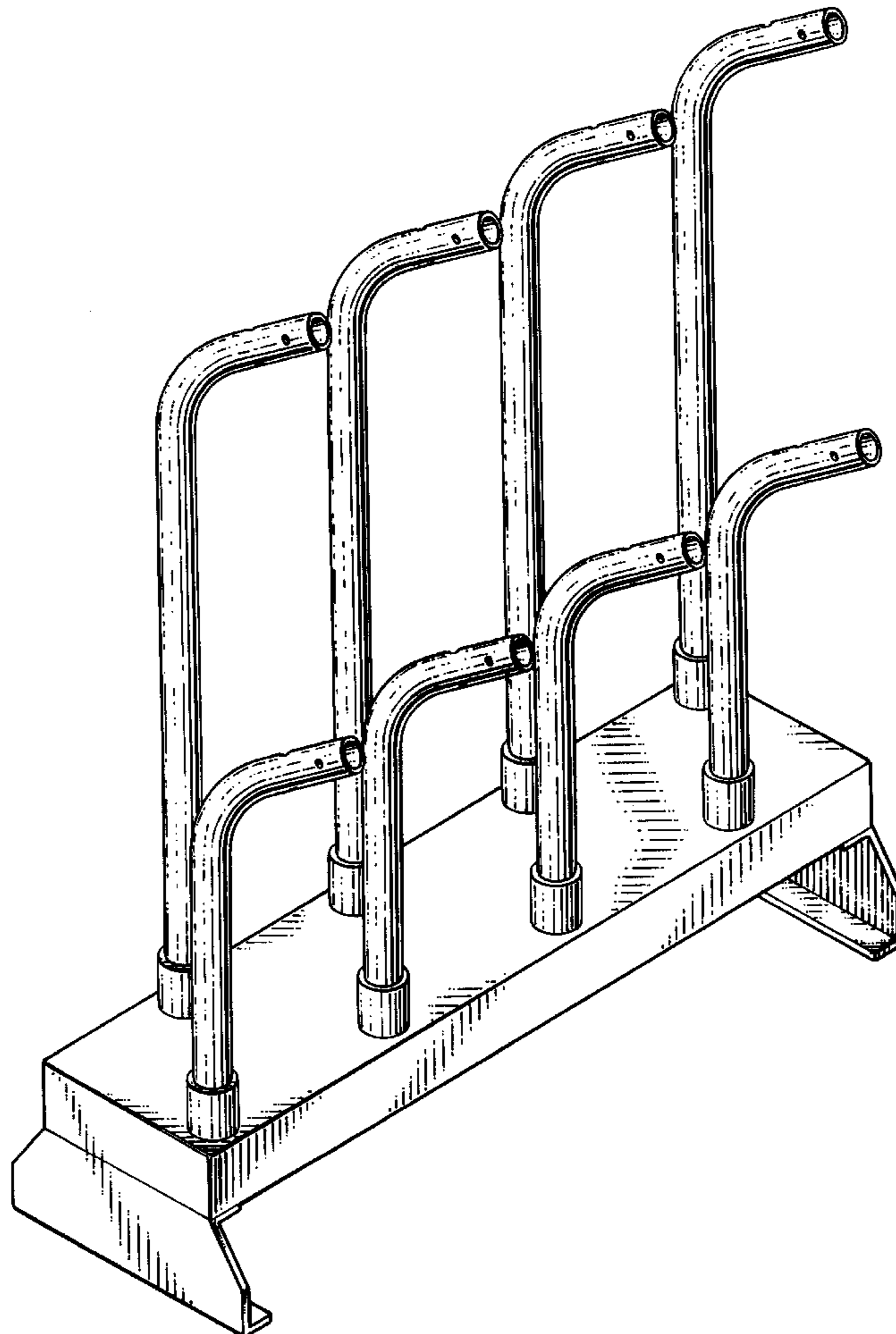
### [57] CLAIM

The ornamental design for the boot dryer, as shown and described.

### DESCRIPTION

FIG. 1 is a top front view of the boot dryer showing the new design;  
FIG. 2 is a side view, the other side being a mirror image thereof;  
FIG. 3 is a front view thereof;  
FIG. 4 is a rear view thereof;  
FIG. 5 is a top plan view thereof; and,  
FIG. 6 is a bottom plan view thereof.

**1 Claim, 5 Drawing Sheets**



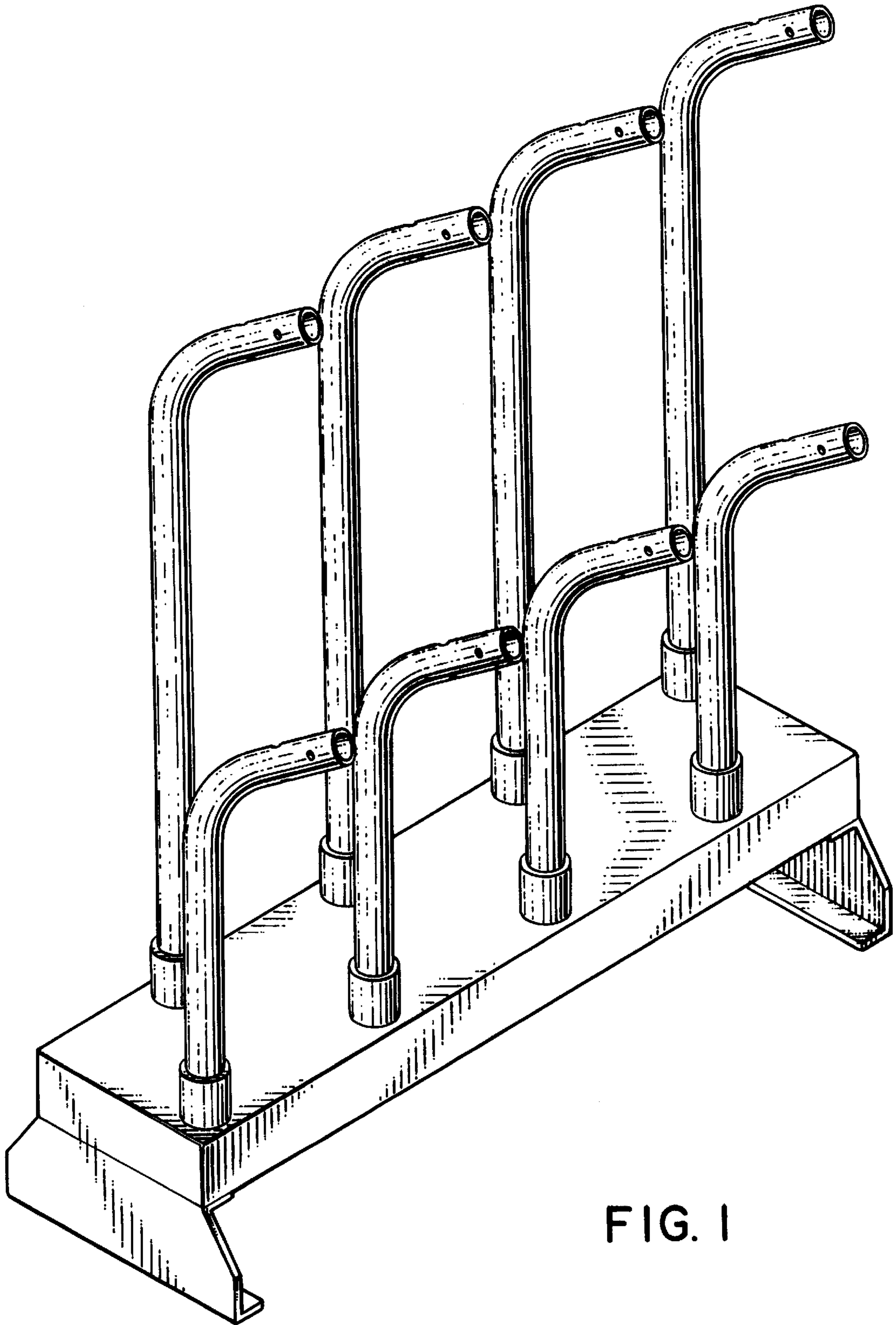


FIG. 1

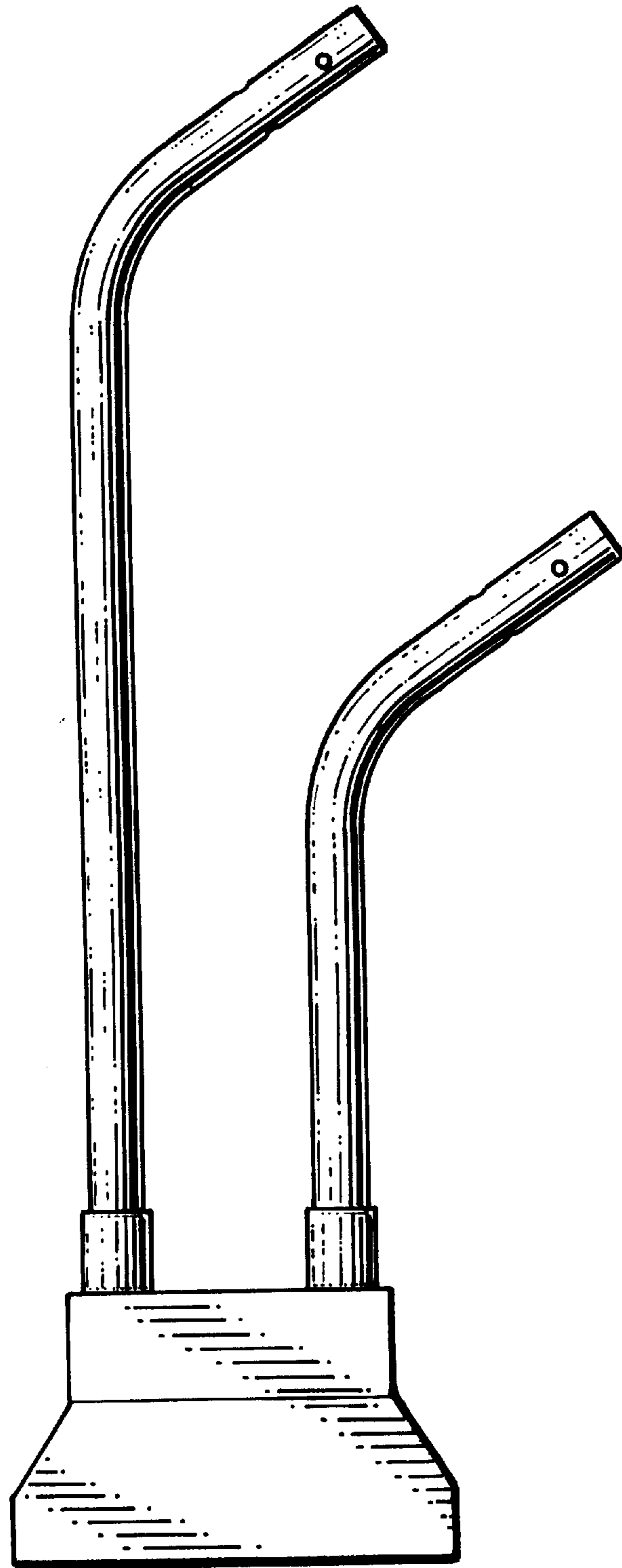


FIG. 2

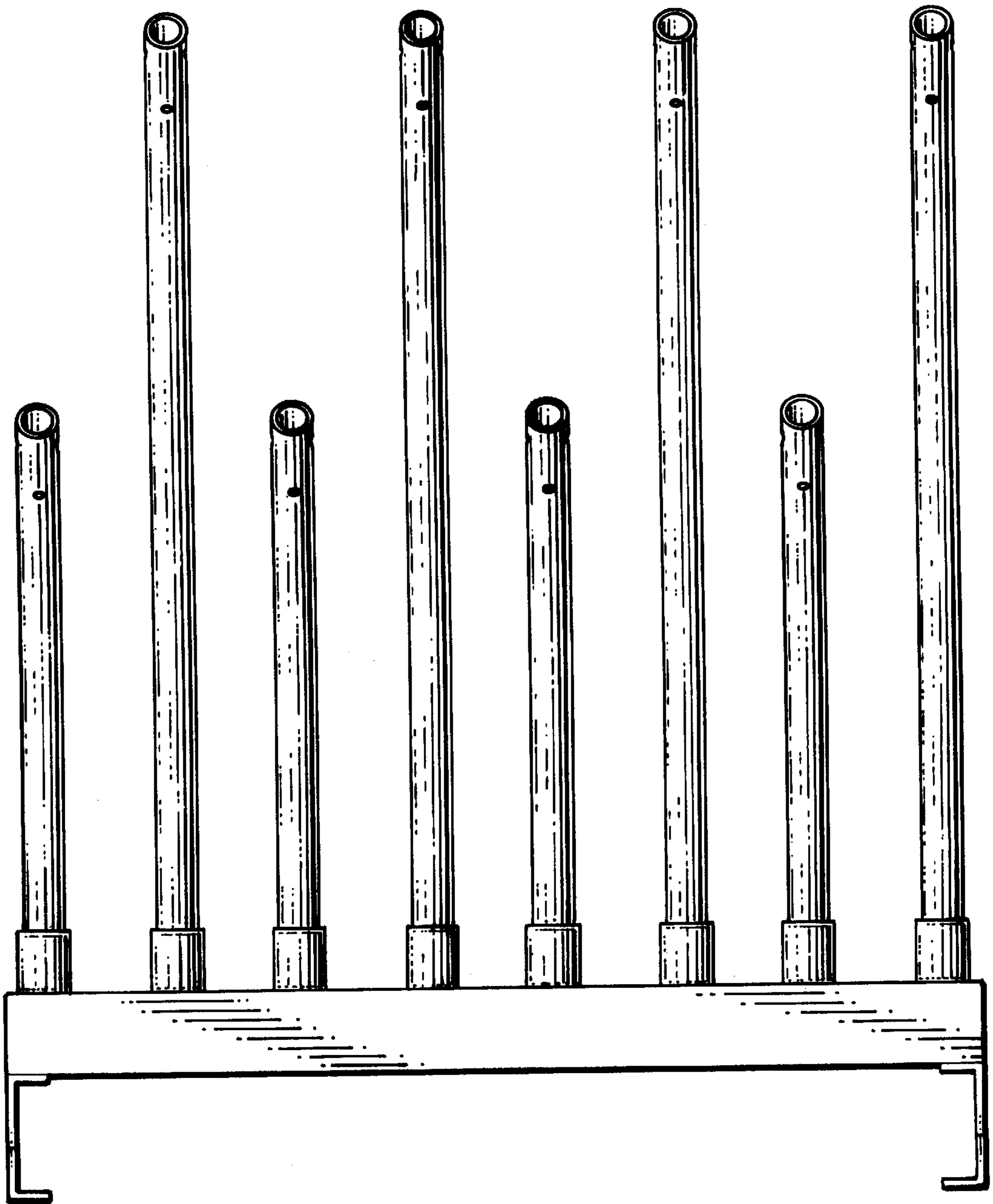


FIG. 3

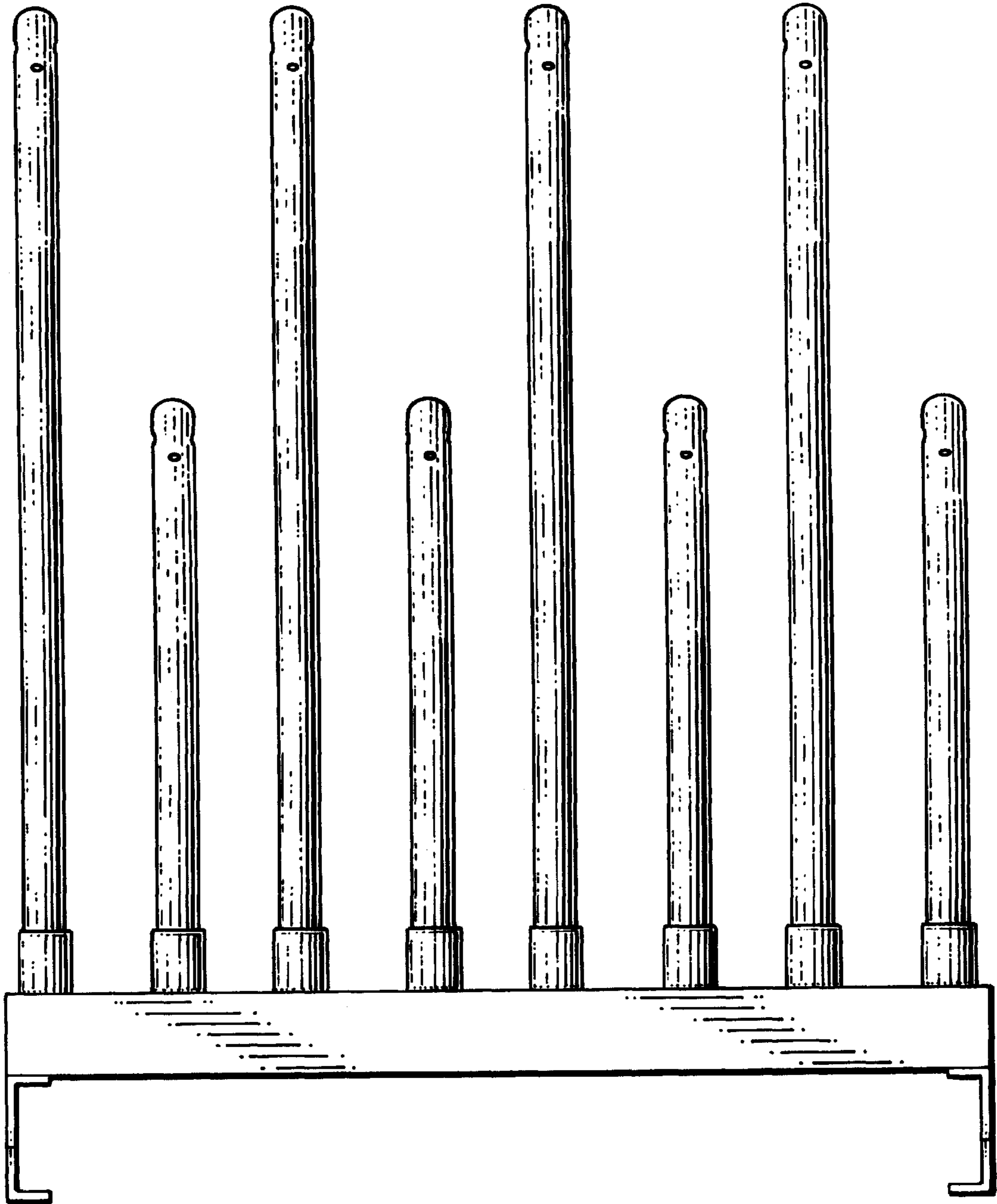


FIG. 4

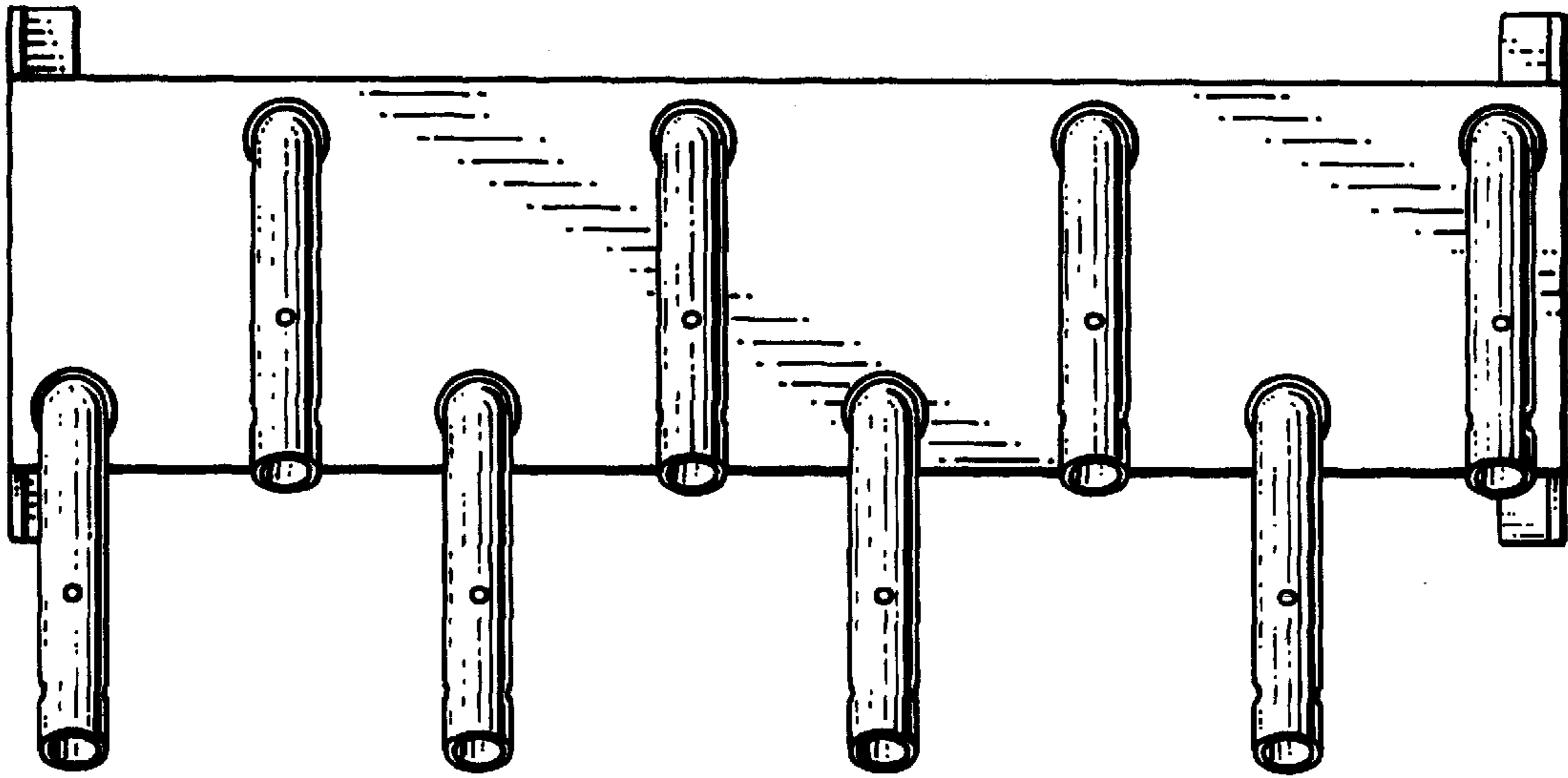


FIG. 5

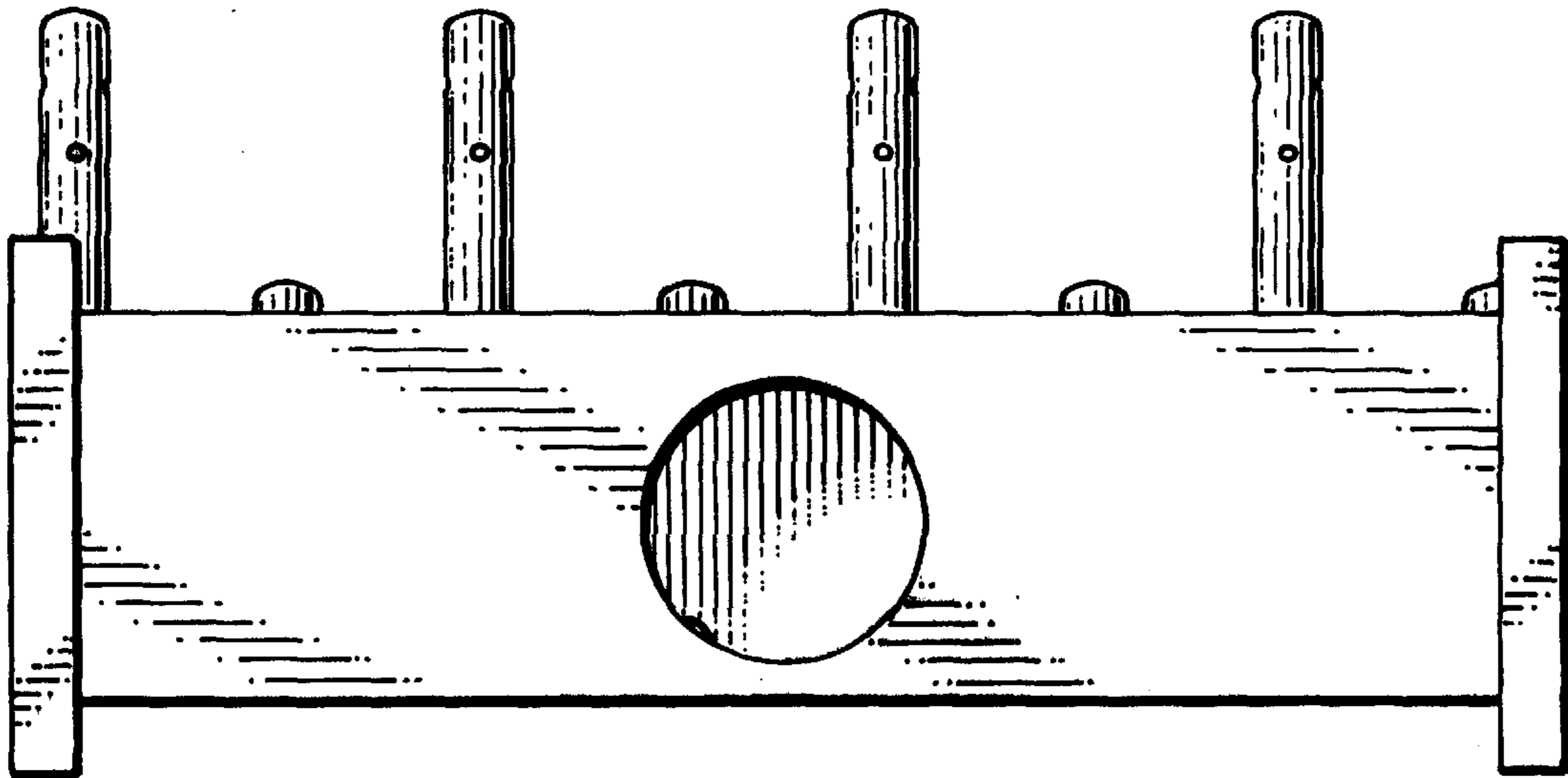


FIG. 6