



US00D412227S

# United States Patent [19]

Wareham et al.

[11] Patent Number: Des. 412,227

[45] Date of Patent: \*\* Jul. 20, 1999

[54] VACUUM CLEANER LOWER PORTION

[75] Inventors: **Richard A. Wareham; David W. Moine**, both of North Canton, Ohio

[73] Assignee: **The Hoover Company**, North Canton, Ohio

[\*\*] Term: **14 Years**

[21] Appl. No.: **29/086,787**

[22] Filed: **Apr. 20, 1998**

[51] LOC (6) Cl. .... **15-05**

[52] U.S. Cl. .... **D32/32**

[58] Field of Search ..... D32/21, 22, 31-34; 15/322, 354, 355, 358, 362, 366, 378, 400, 412, 414, 415.1-422, 422.1

### [56] References Cited

#### U.S. PATENT DOCUMENTS

D. 269,470	6/1983	Essex	.....	D32/32
D. 269,558	6/1983	Essex	.....	D32/22
D. 305,169	12/1989	Essex et al.	.....	D32/31
D. 326,006	5/1992	Moine	.....	D32/32
D. 338,990	8/1993	McKnight	.....	D32/32
D. 356,880	3/1995	Kieft	.....	D32/31
D. 379,695	6/1997	Africa	.....	D32/33

Primary Examiner—Ruth McInroy

Attorney, Agent, or Firm—A. Burgess Lowe; Bruce P. Watson

### [57] CLAIM

The ornamental design for a vacuum cleaner lower portion, as shown and described.

### DESCRIPTION

FIG. 1 is a top plan view of a vacuum cleaner lower portion showing a first embodiment of our new design.

FIG. 2 is a front elevational view thereof;

FIG. 3 is a right side elevational view thereof;

FIG. 4 is a left side elevational view thereof;

FIG. 5 is a rear elevational view thereof;

FIG. 6 is a bottom plan view thereof;

FIG. 7 is a top plan view of second embodiment of our invention;

FIG. 8 is a front elevational view thereof;

FIG. 9 is a right side elevational view thereof;

FIG. 10 is a left side elevational view thereof;

FIG. 11 is a rear elevational view thereof;

FIG. 12 is a bottom plan view thereof;

FIG. 13 is a top plan view of a third and preferred embodiment of our invention;

FIG. 14 is a front elevational view thereof;

FIG. 15 is a right side elevational view thereof;

FIG. 16 is a left side elevational view thereof;

FIG. 17 is a rear elevational view thereof;

FIG. 18 is a bottom plan view thereof;

FIG. 19 is a top plan view of a fourth embodiment of our invention;

FIG. 20 is a front elevational view thereof;

FIG. 21 is a right side elevational view thereof;

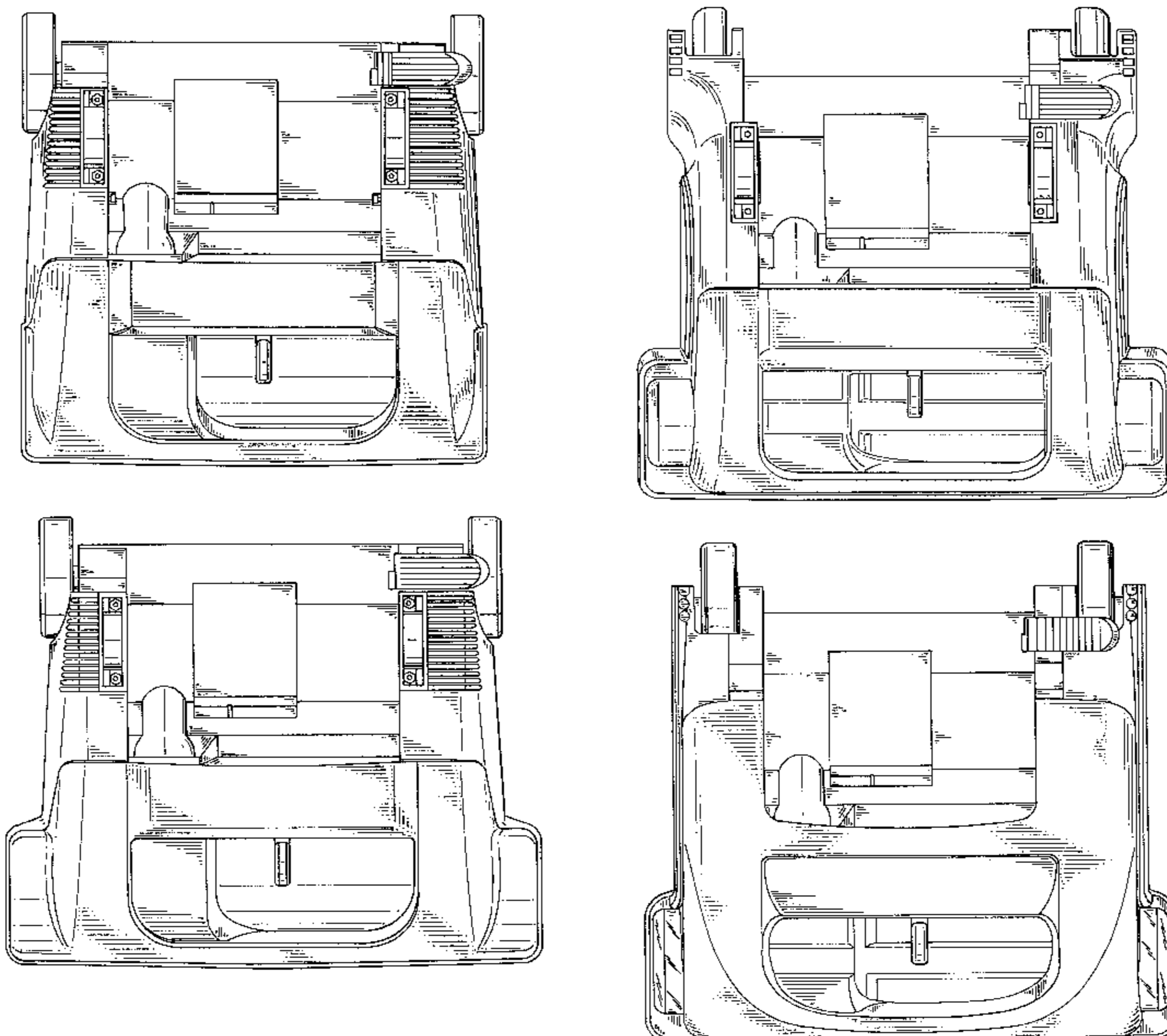
FIG. 22 is a left side elevational view thereof;

FIG. 23 is a rear elevational view thereof; and,

FIG. 24 is a bottom plan view thereof.

The details shown in broken lines in FIGS. 6, 12, 18 and 24 are for illustrative purposes only and form no part of the claimed design.

1 Claim, 12 Drawing Sheets



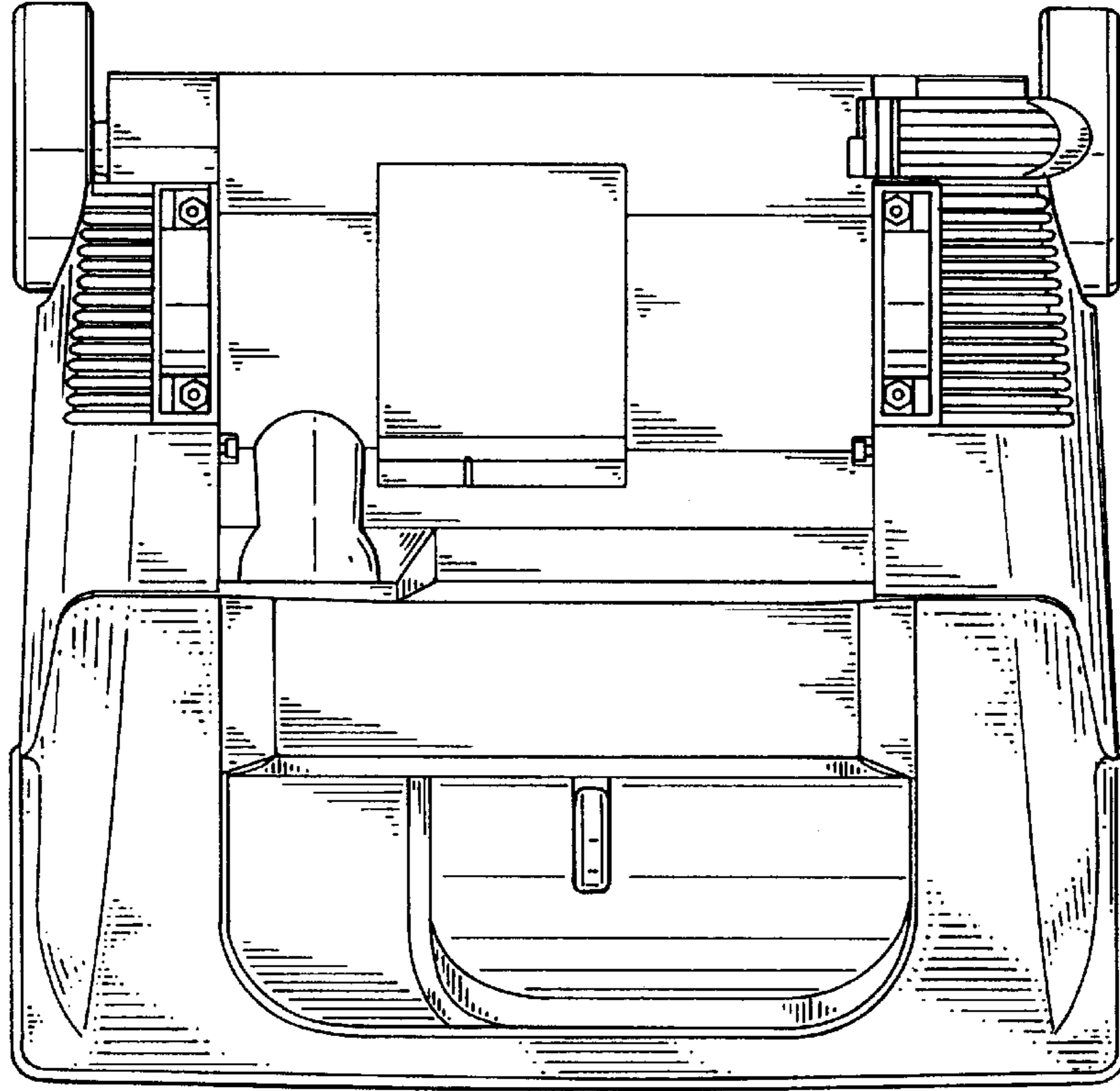


FIG. - 1

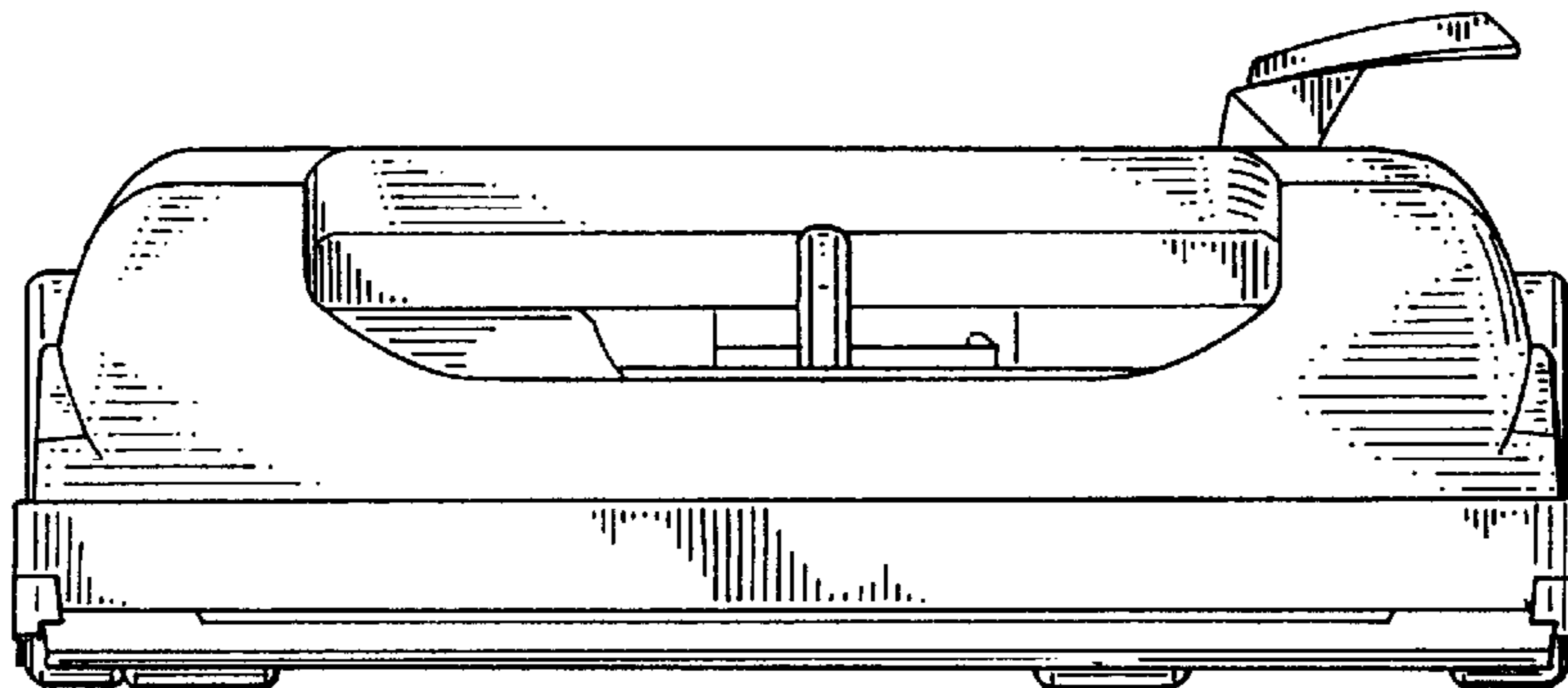


FIG. - 2

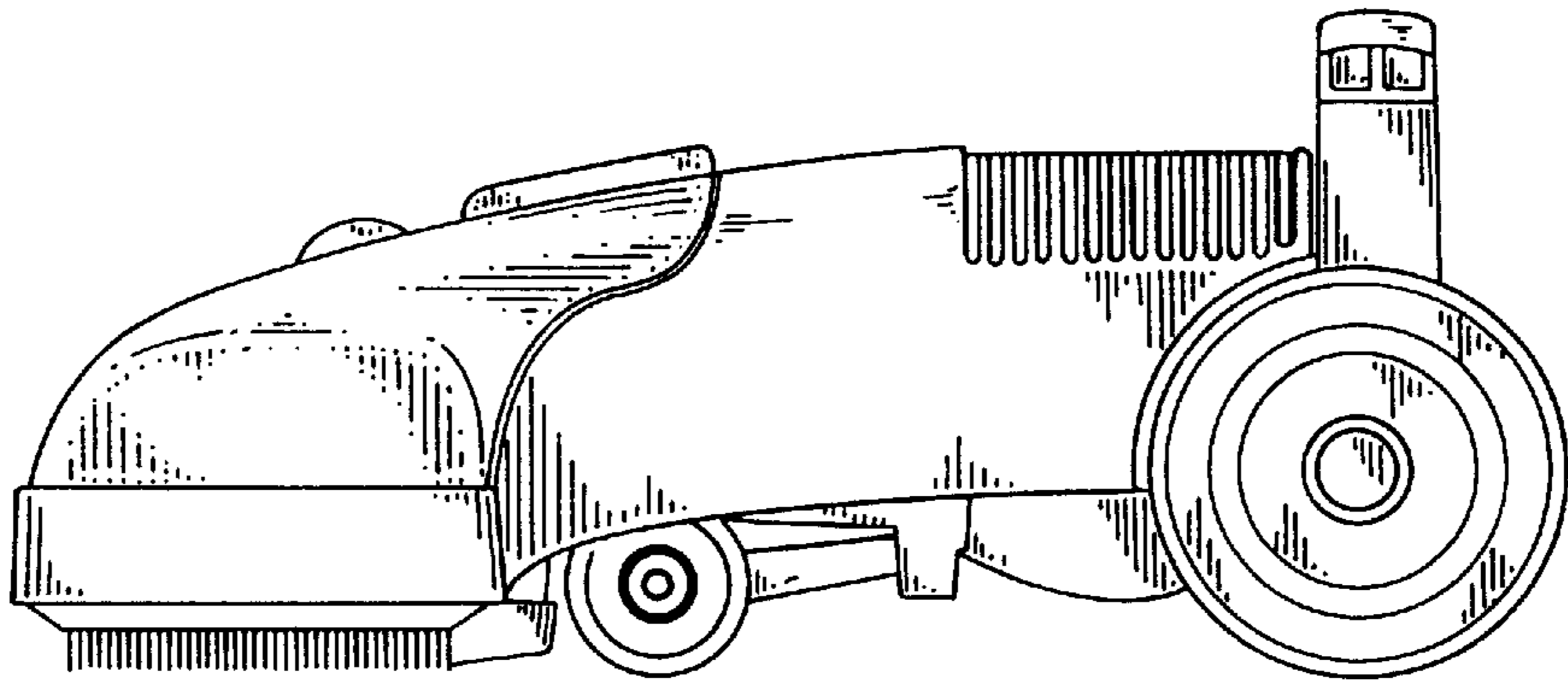


FIG. - 3

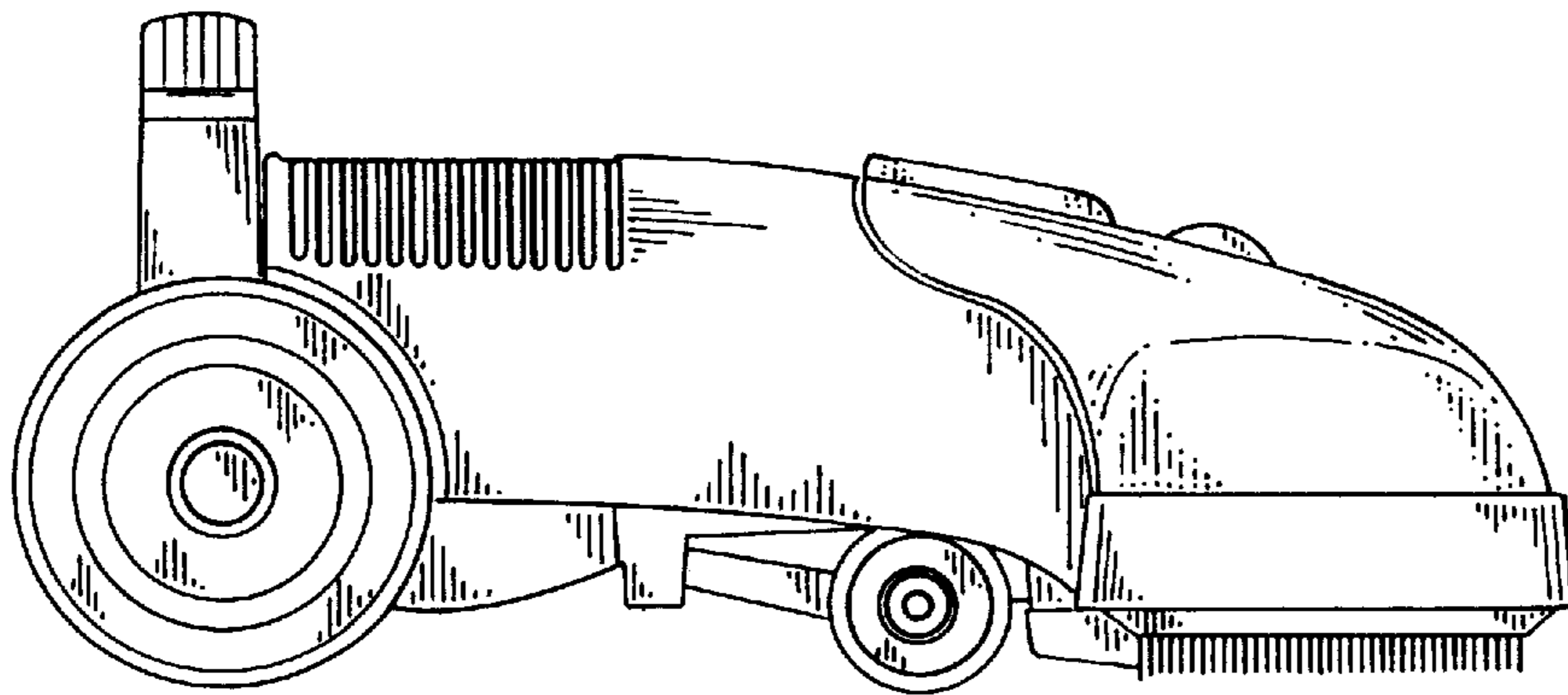


FIG. - 4

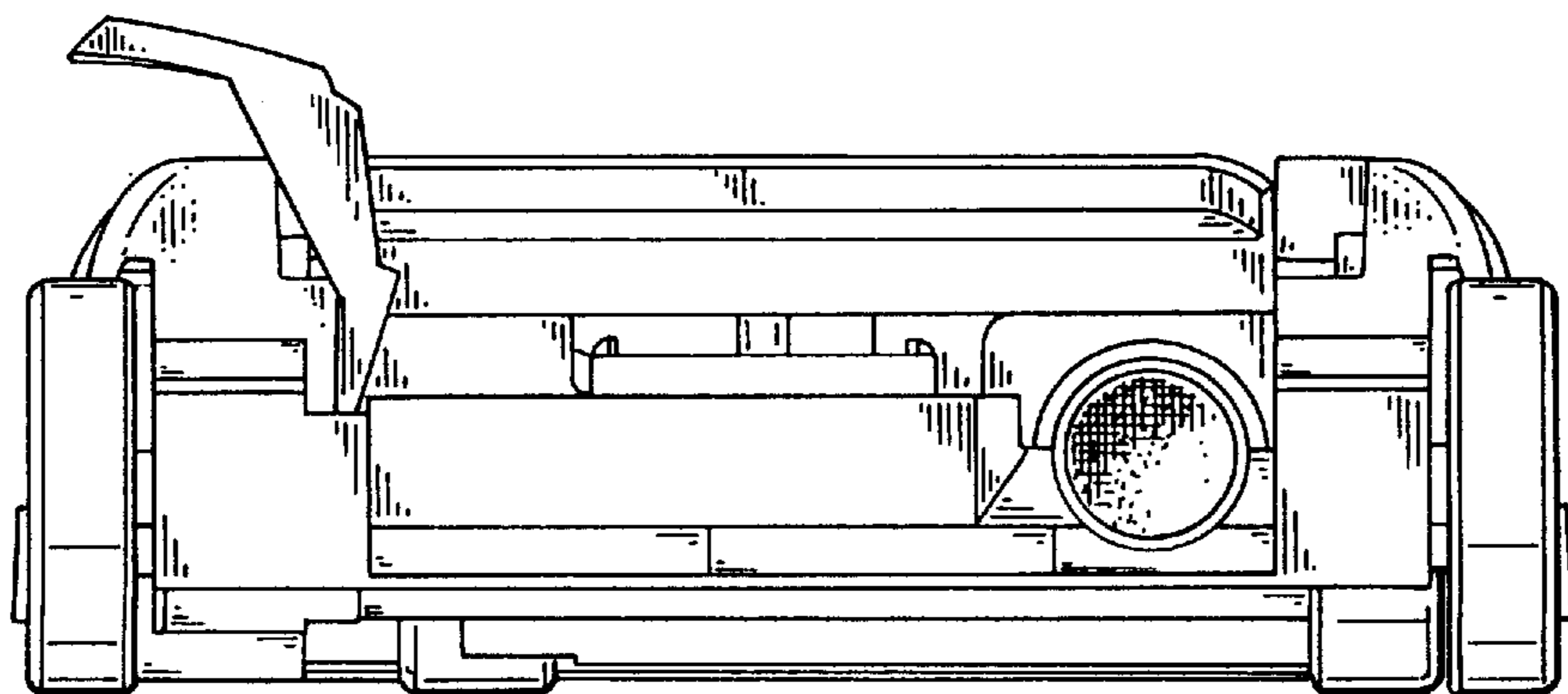


FIG. - 5

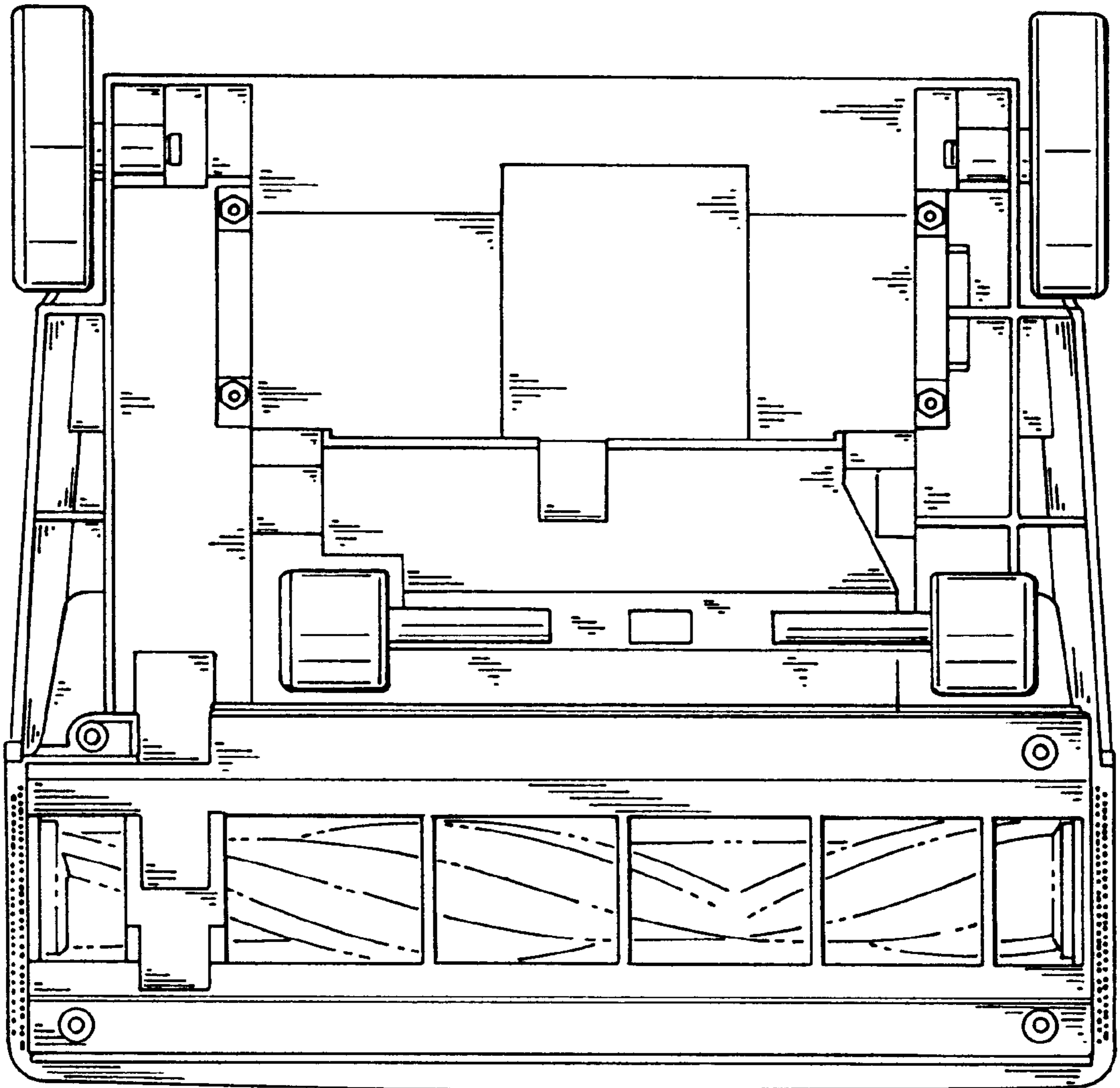


FIG.-6

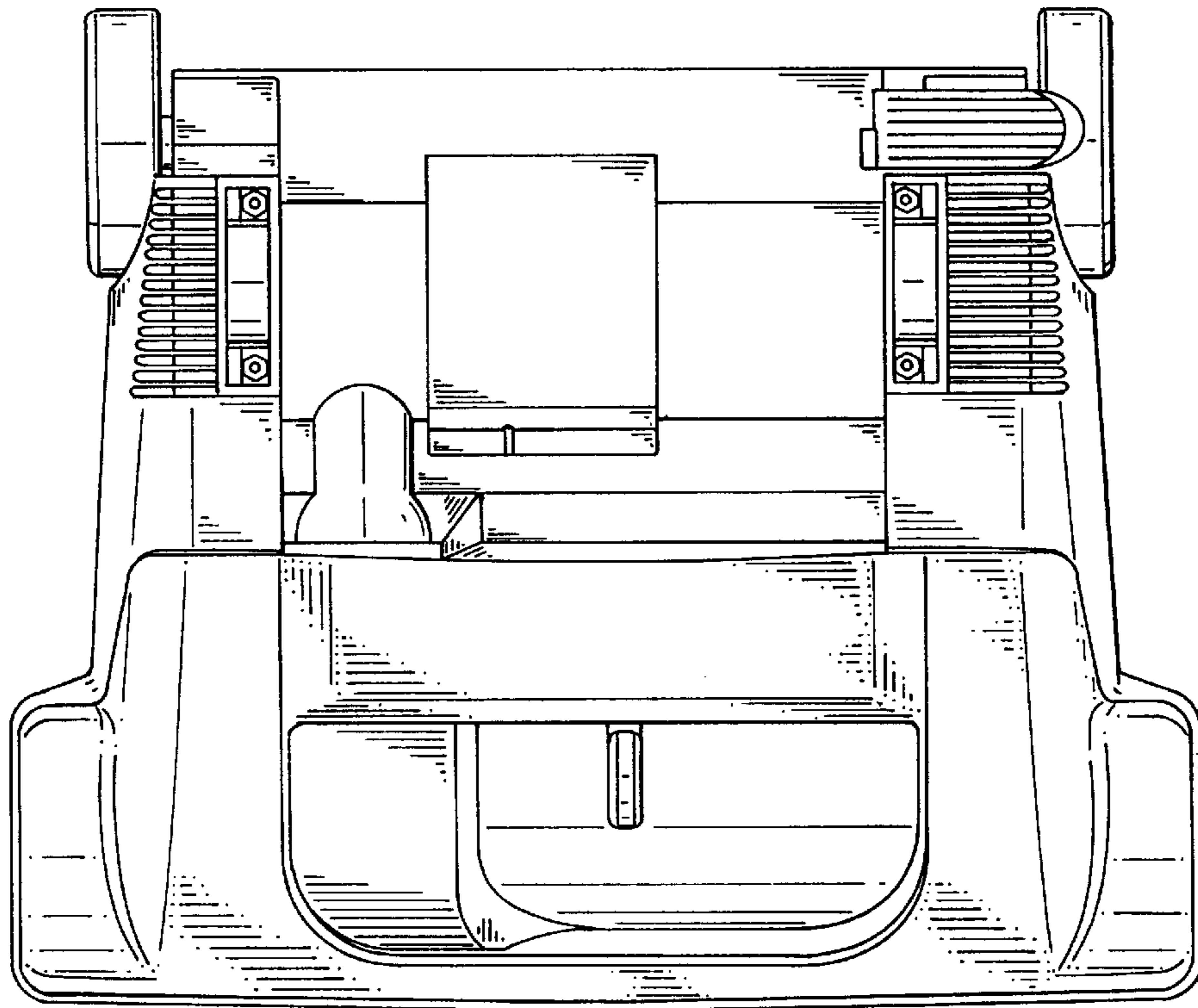


FIG. - 7

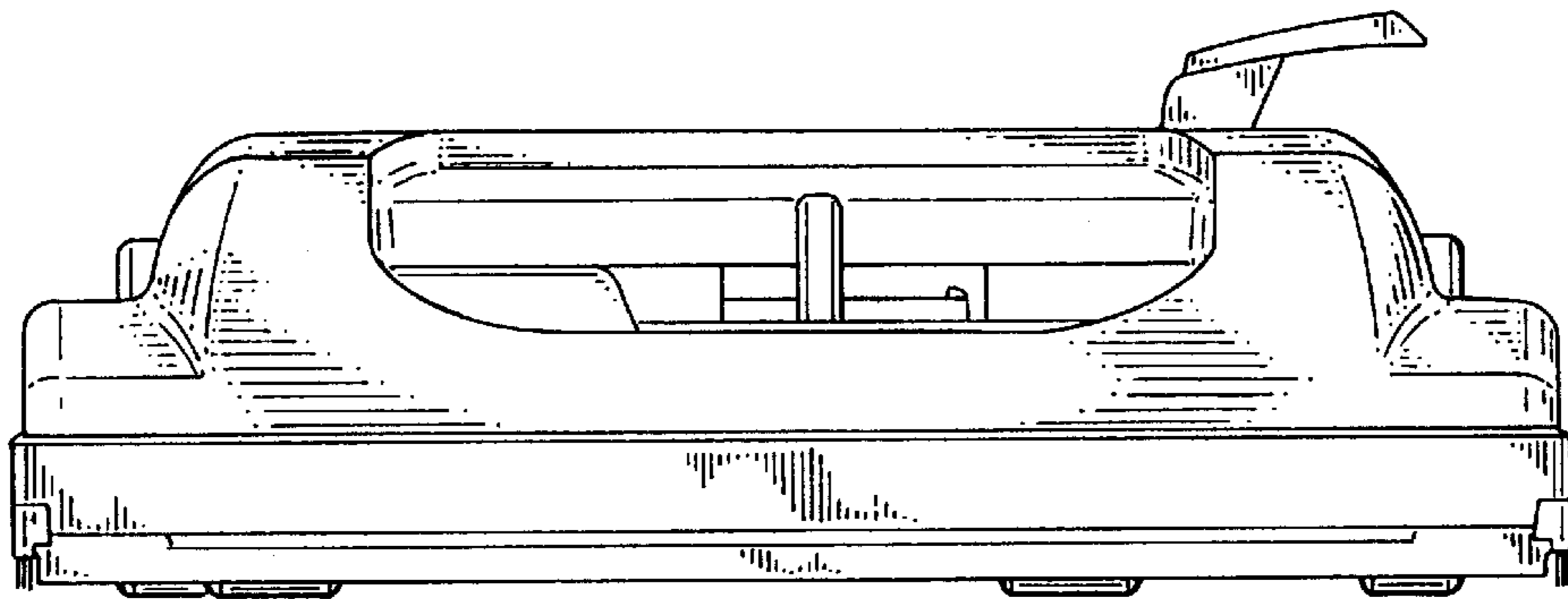


FIG. - 8

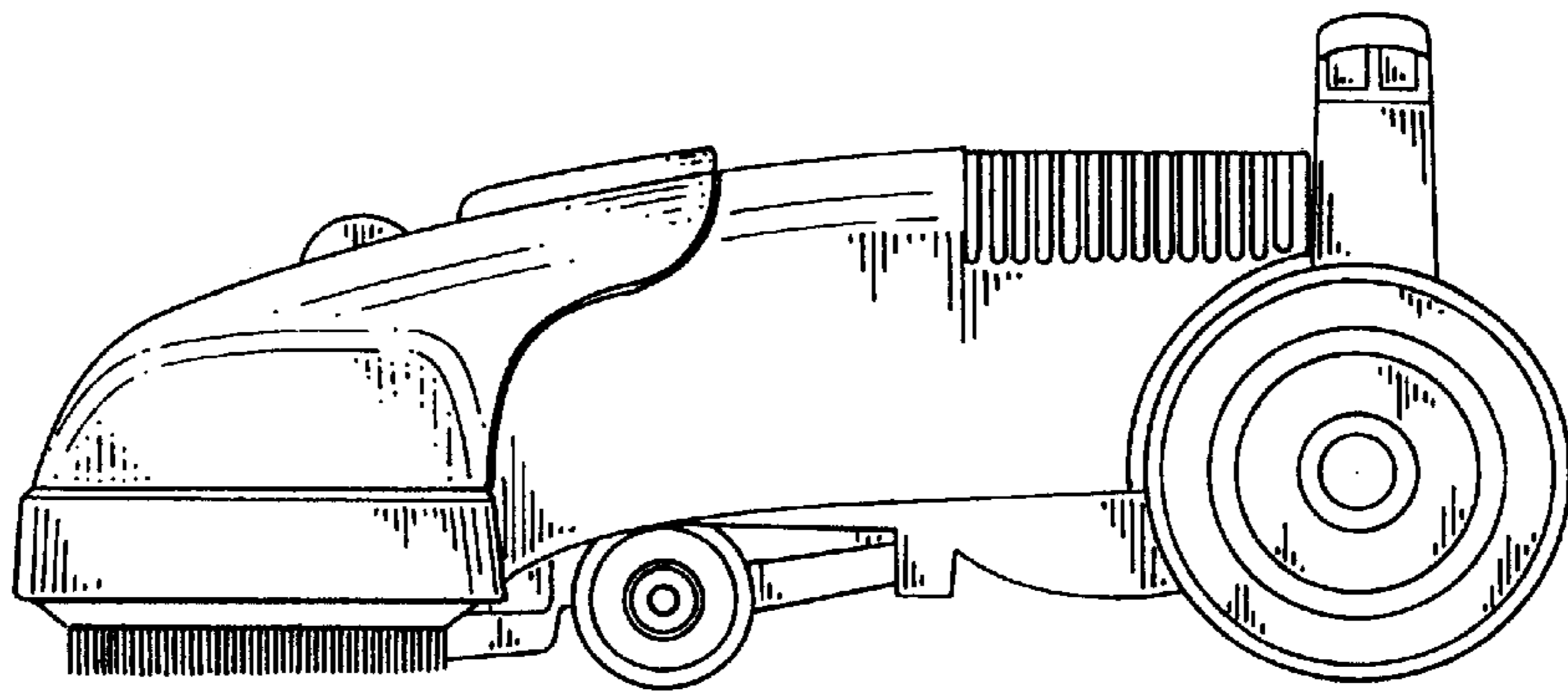


FIG. - 9

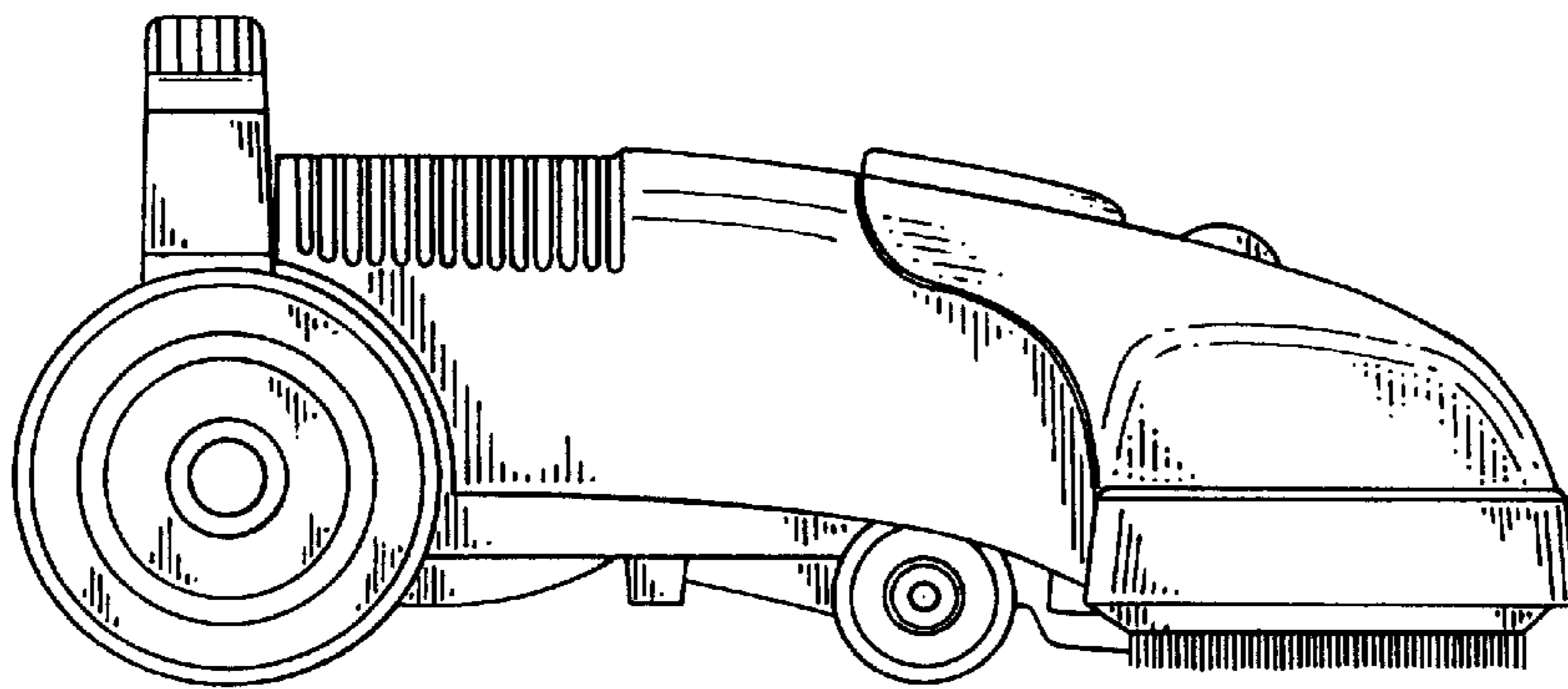


FIG. - 10

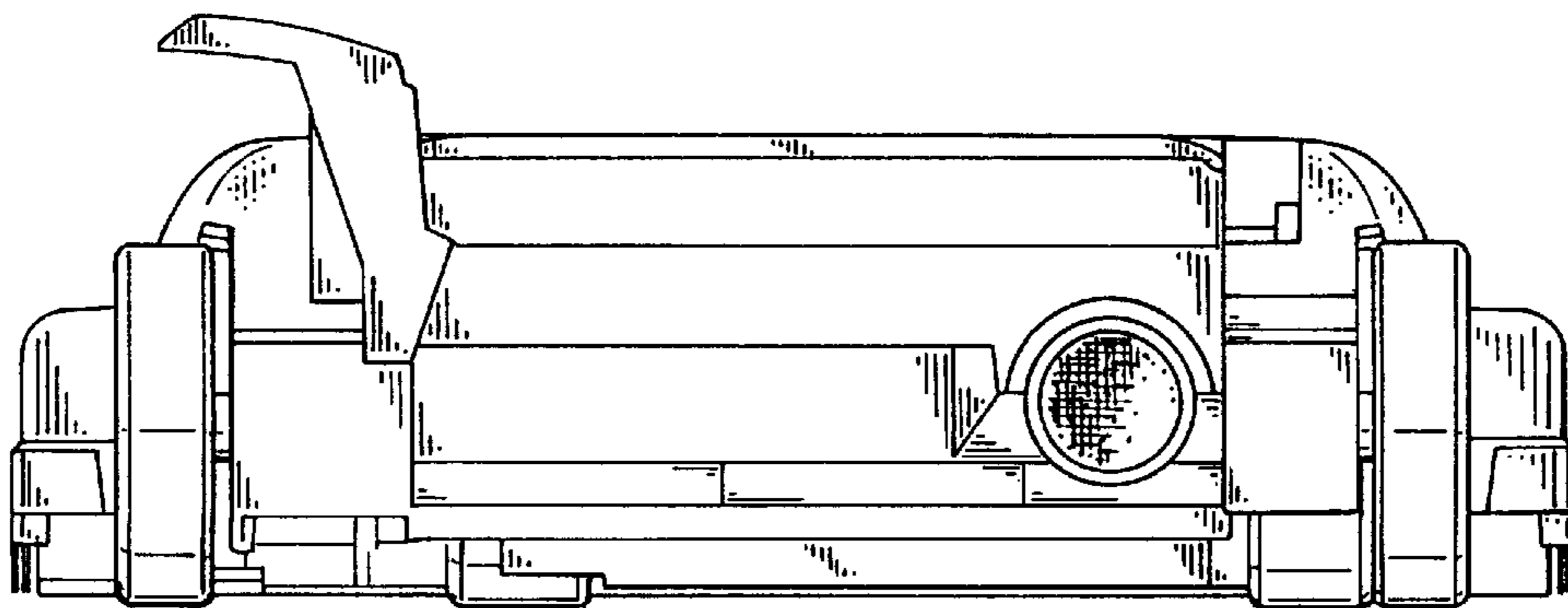


FIG. - 11

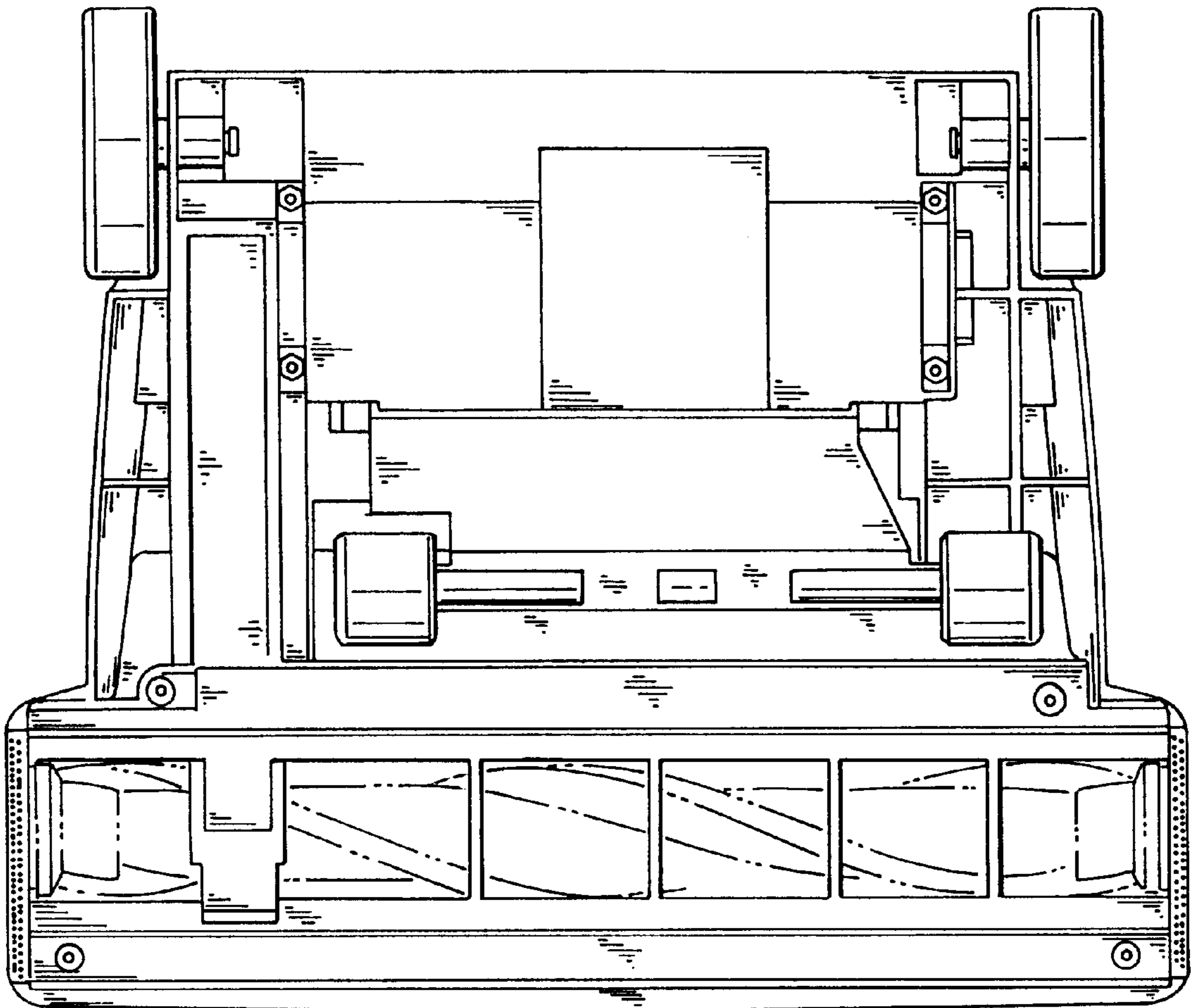


FIG. - 12

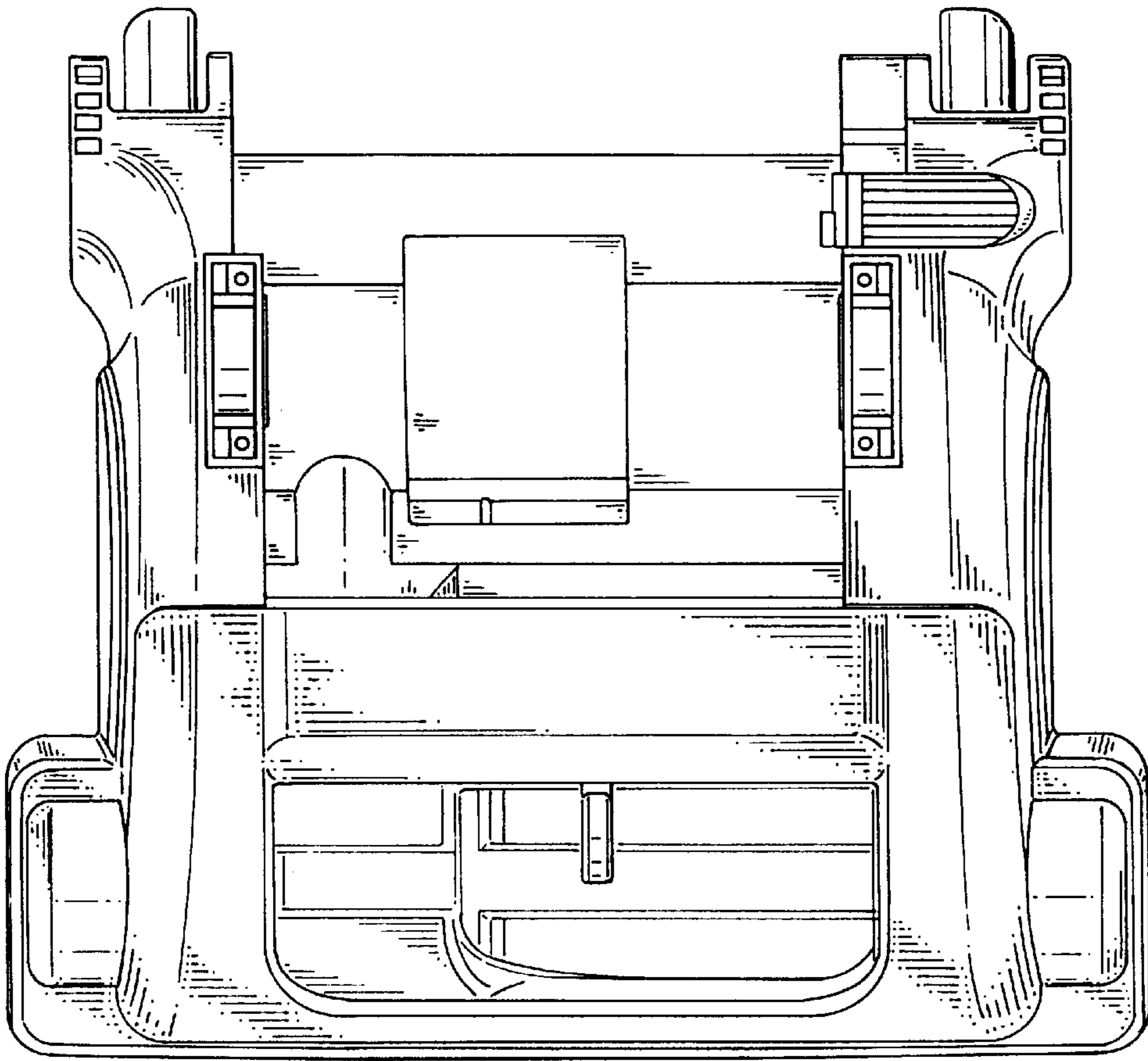


FIG. - 13

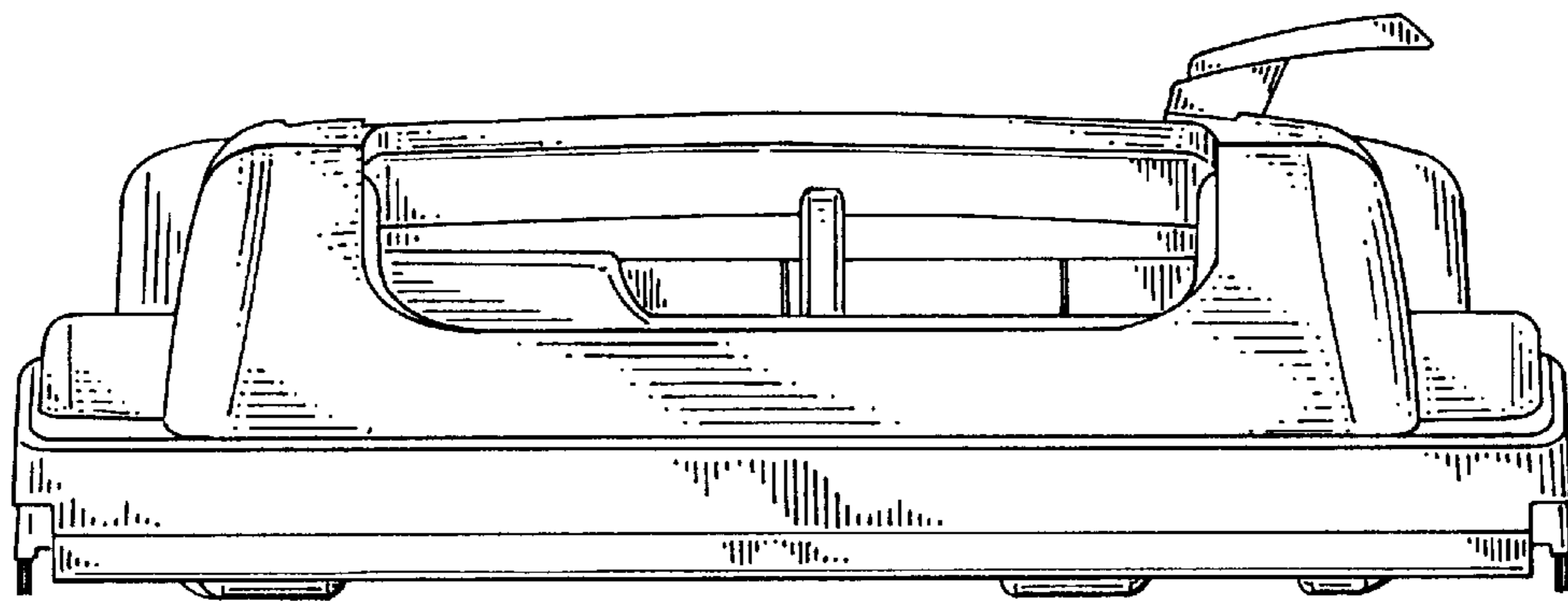


FIG. - 14



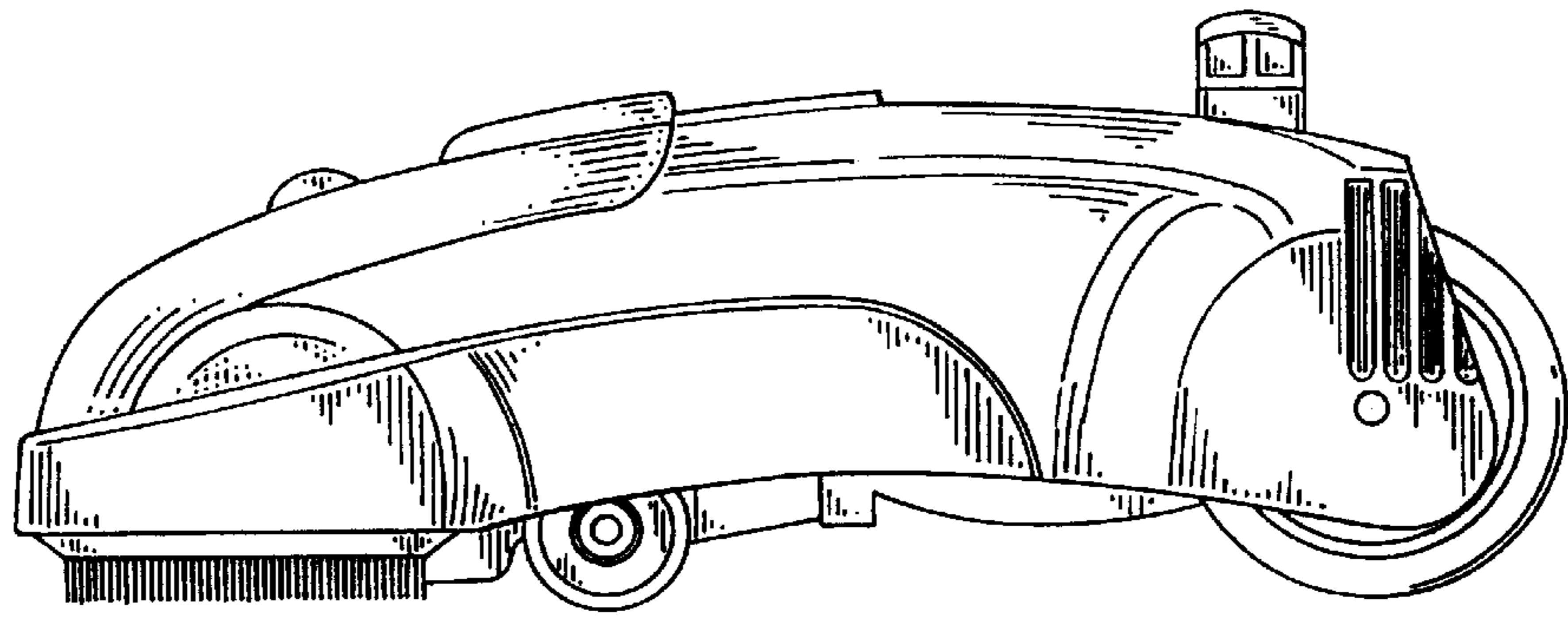


FIG. - 15

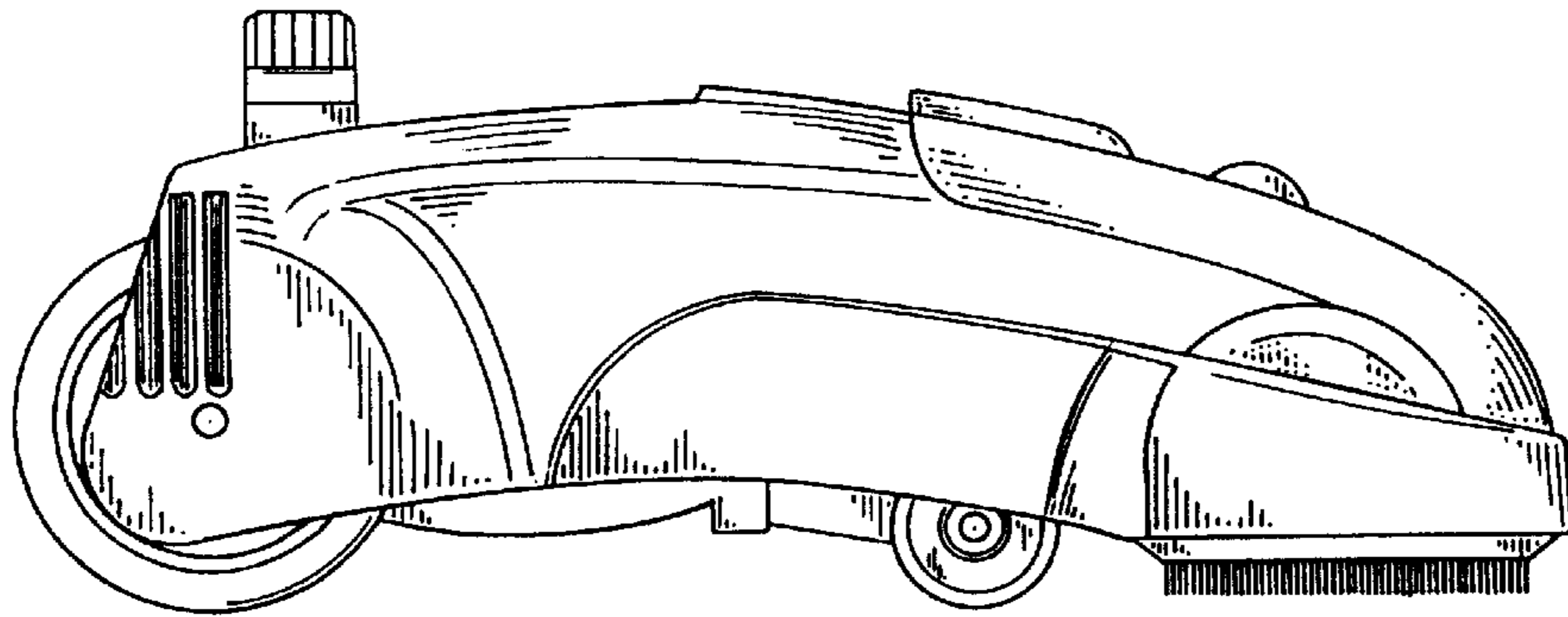


FIG. - 16

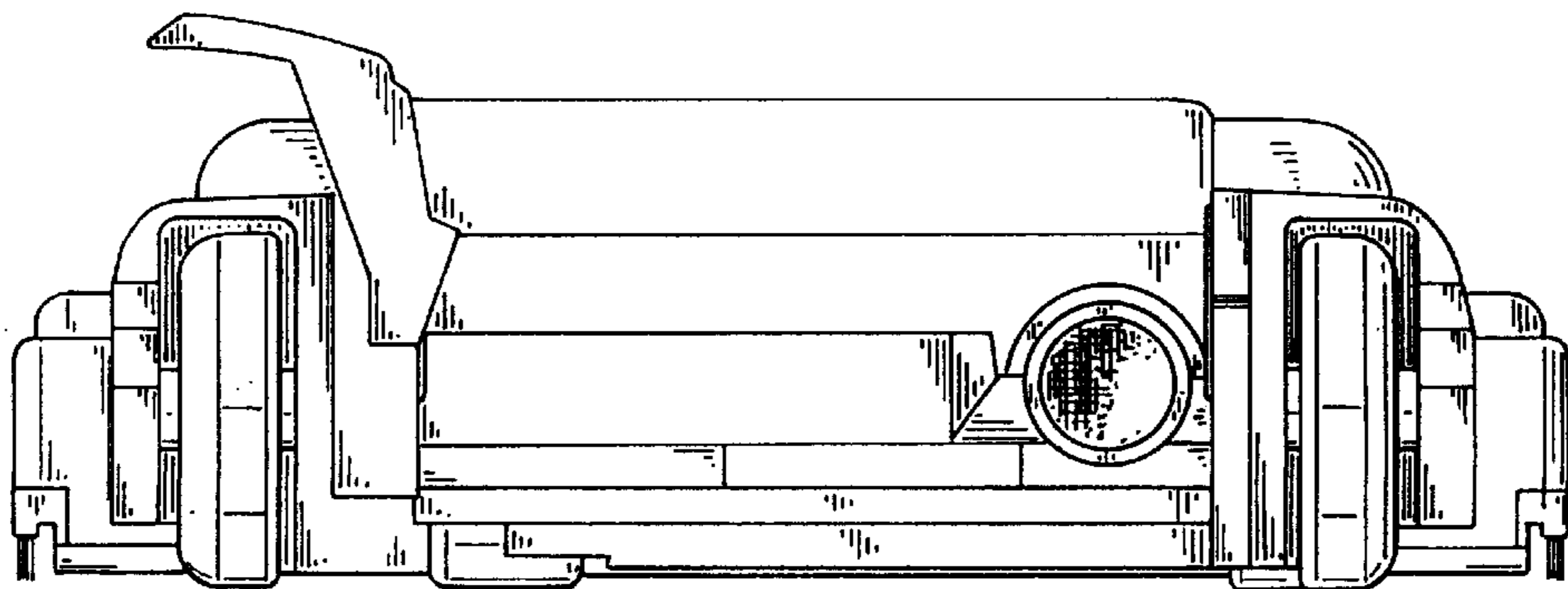


FIG. - 17

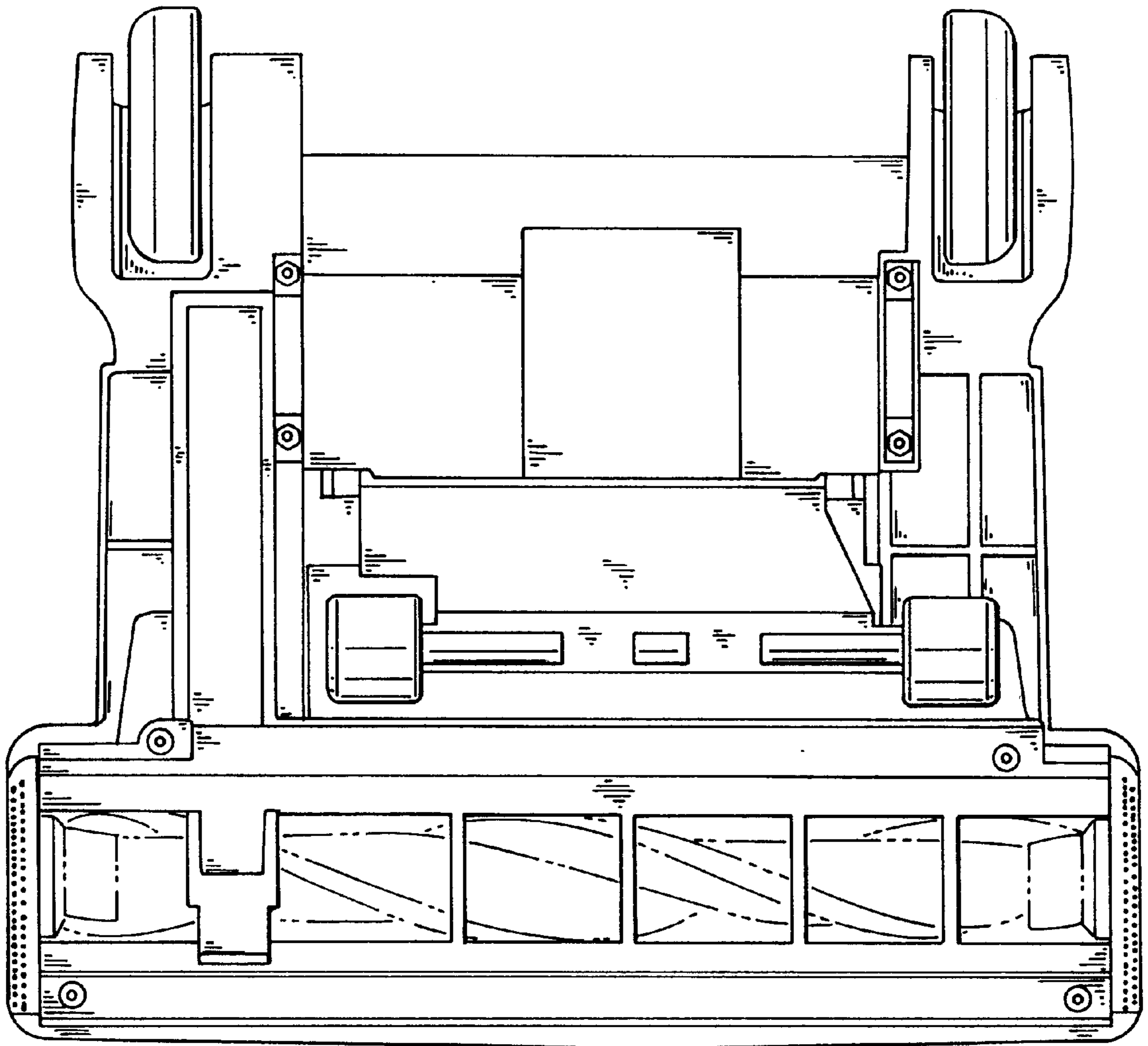


FIG.-18

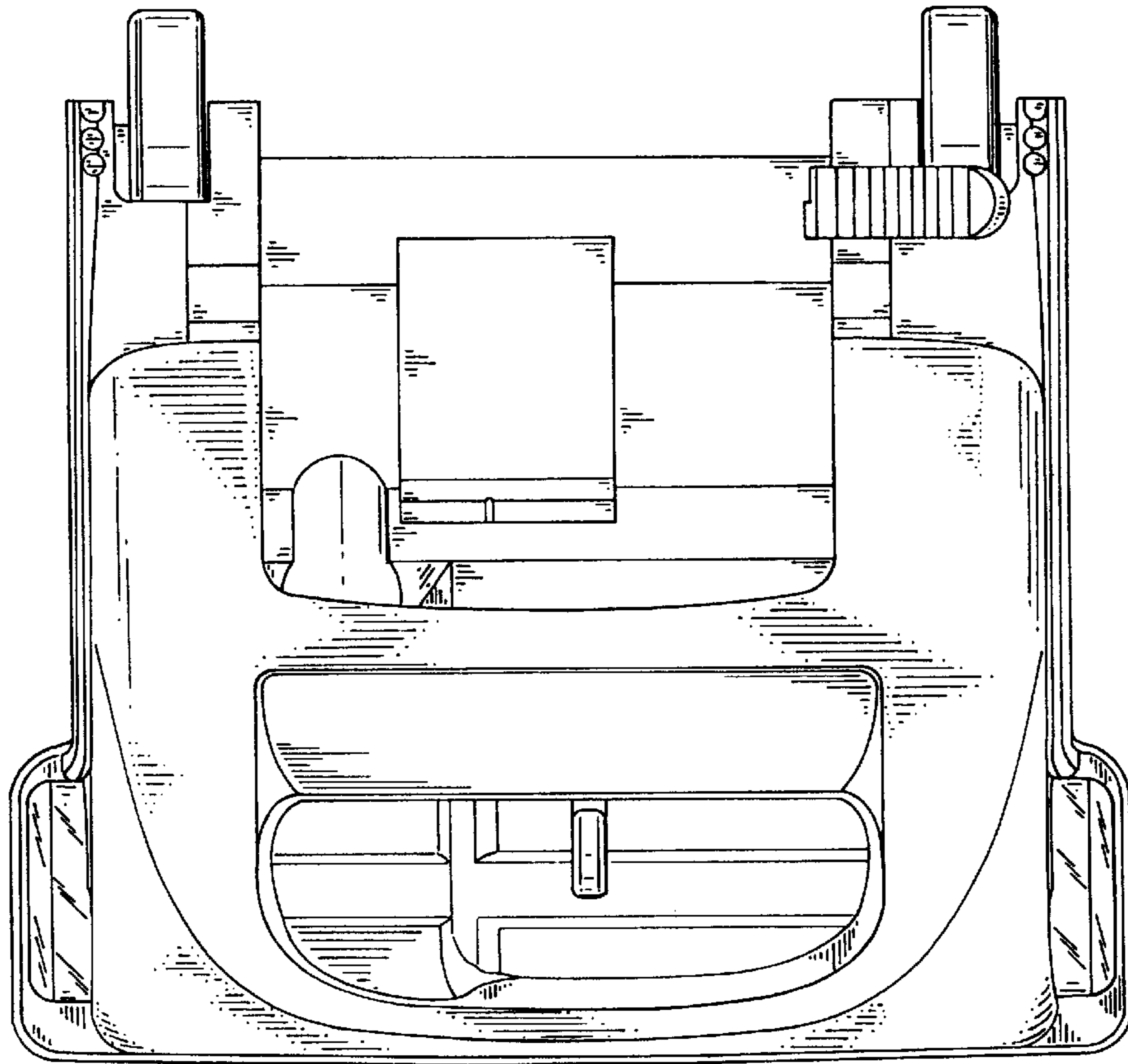


FIG. - 19

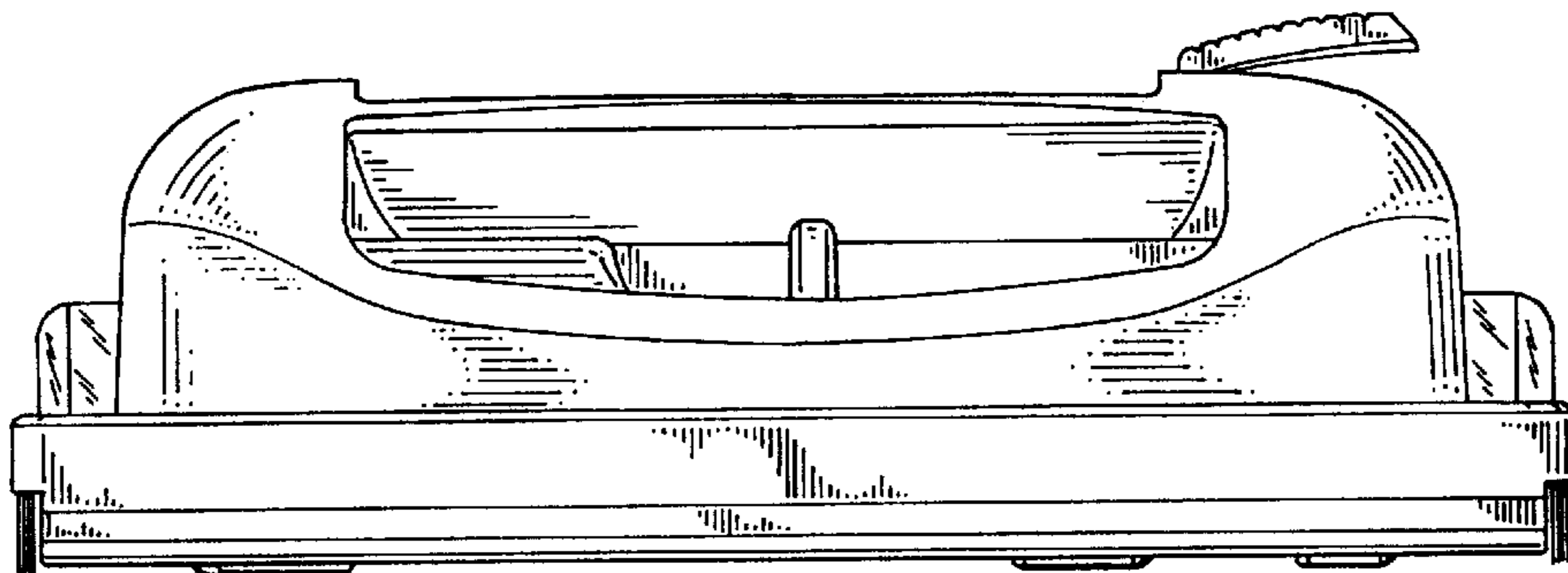


FIG. - 20

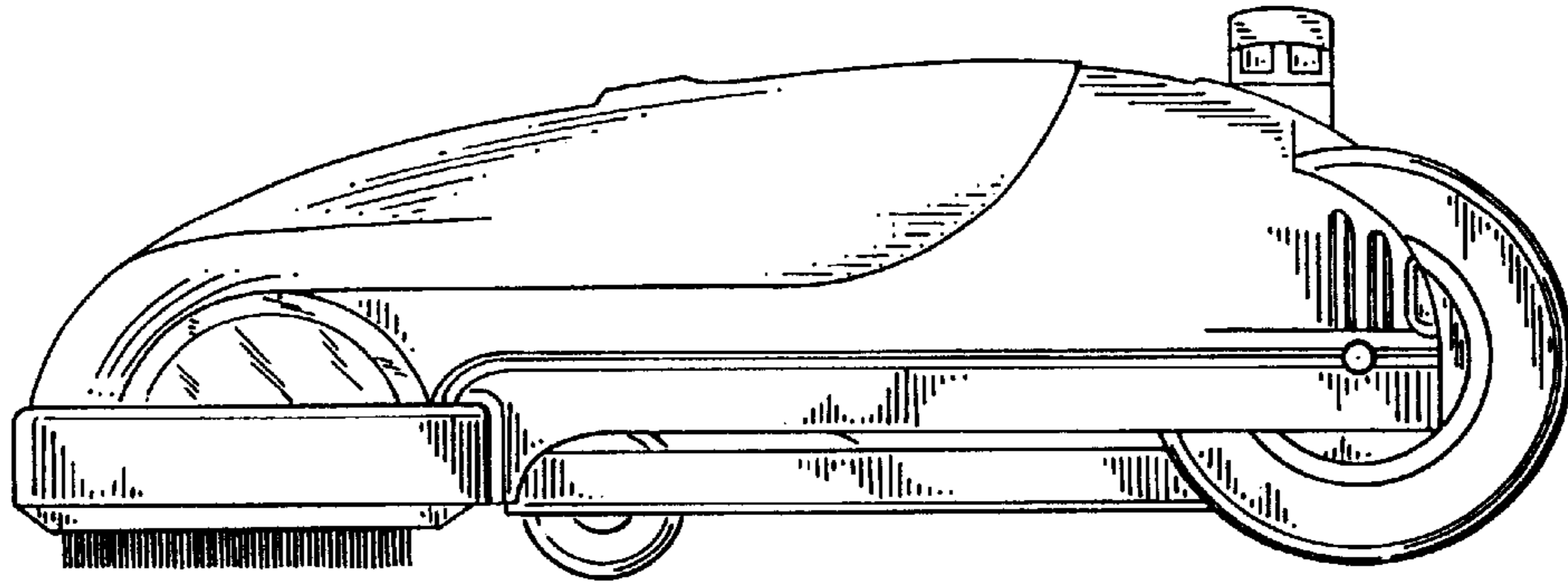


FIG. - 21

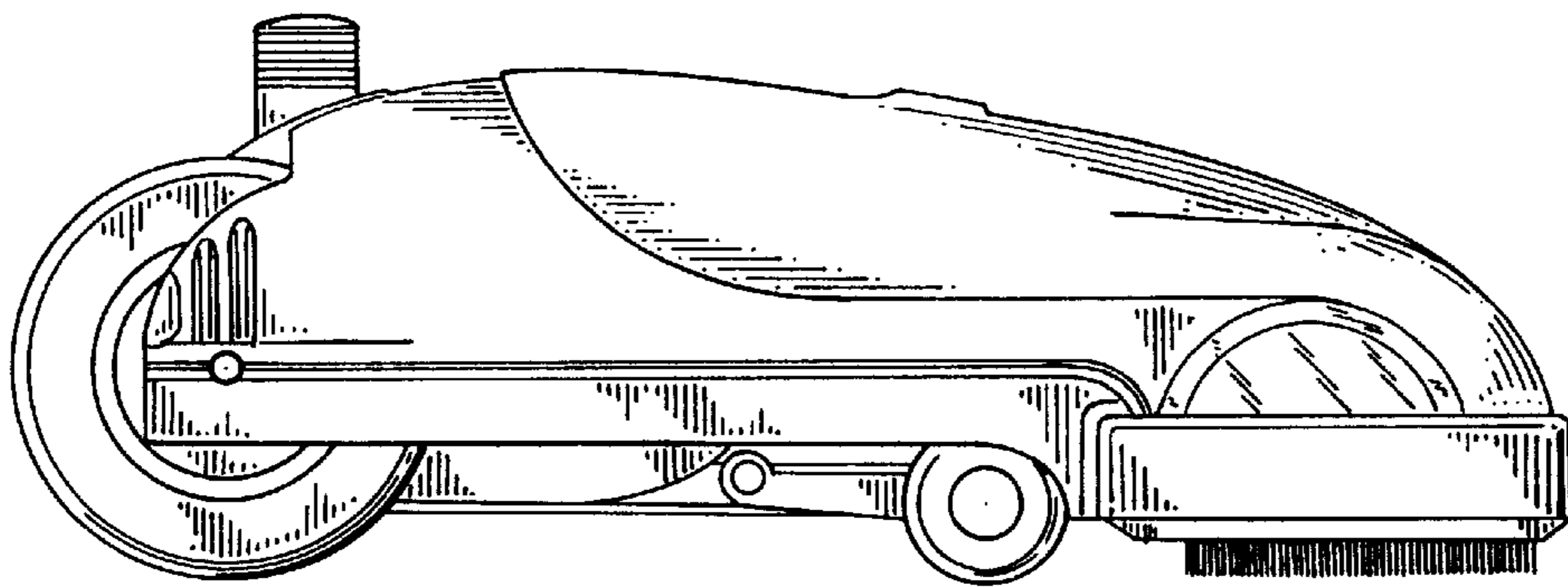


FIG. - 22

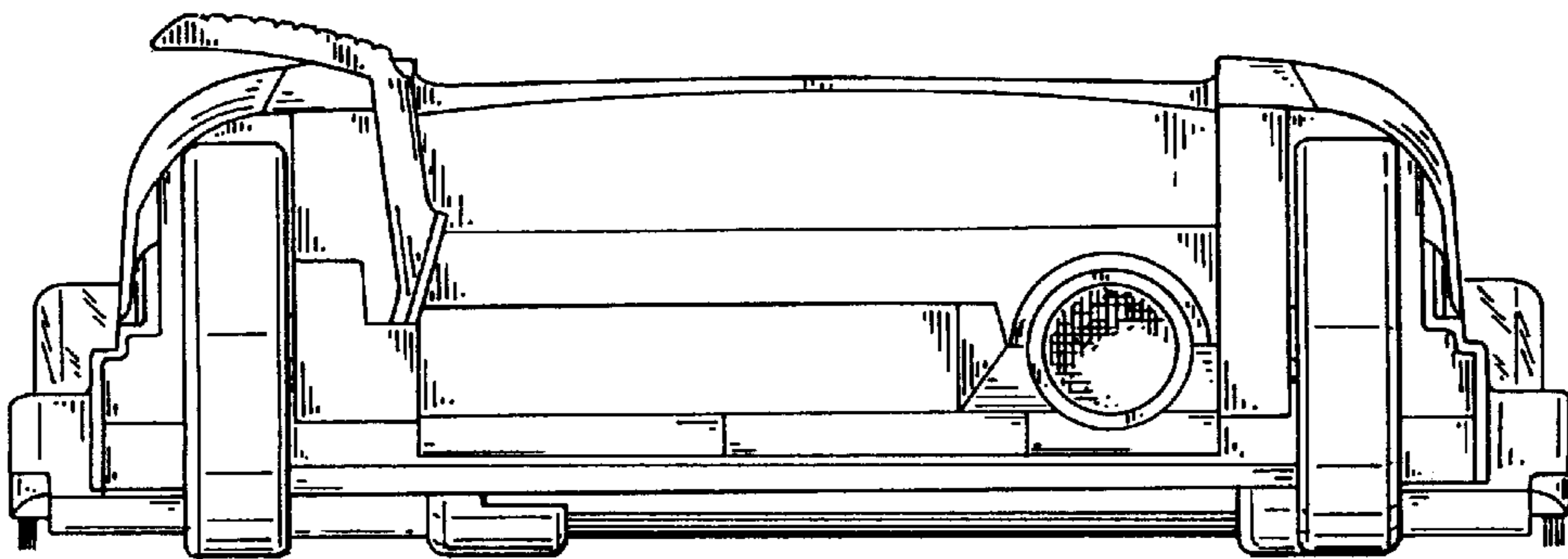


FIG. - 23

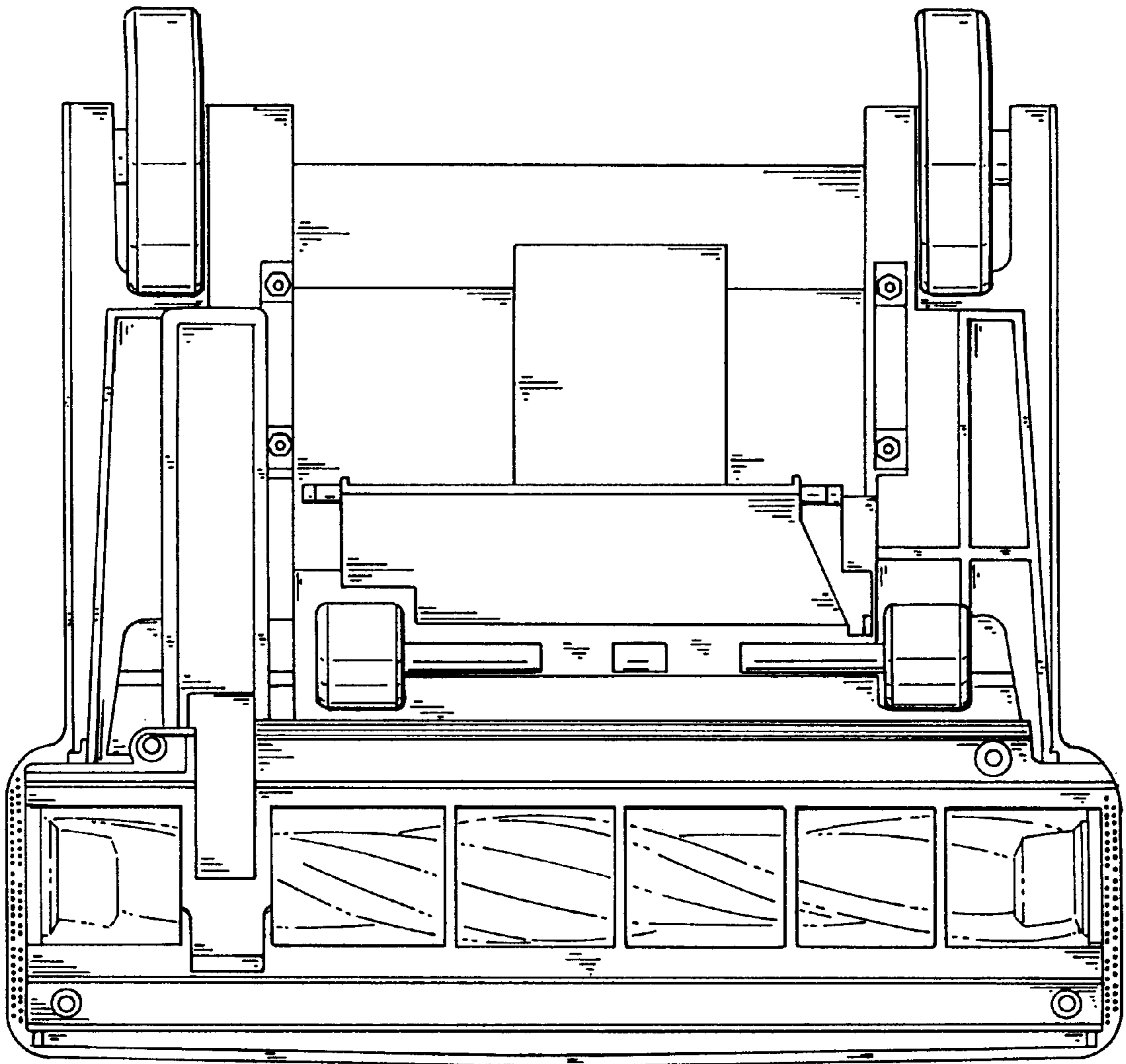


FIG. - 24