



US00D412226S

United States Patent [19]
Bellehumeur

[11] **Patent Number: Des. 412,226**
[45] **Date of Patent: ** Jul. 20, 1999**

[54] **MOATED PET FOOD DISH**
[76] Inventor: **Peggy Bellehumeur**, 226 Dordrecht St.,
Ellenton, Fla. 34222
[**] Term: **14 Years**
[21] Appl. No.: **29/080,529**
[22] Filed: **Dec. 11, 1997**
[51] **LOC (6) Cl. 30-03**
[52] **U.S. Cl. D30/130**
[58] **Field of Search D30/121-132;**
119/60-61, 51, 51.13, 51.5, 52.1, 53, 55,
57.4, 57.91, 71-74, 78

479,980 8/1892 Gordon D30/130
576,196 2/1897 Johnson 119/61
2,191,811 2/1940 Trampier, Sr. 119/51.5
2,529,354 11/1950 Schroeder D30/130
4,357,905 11/1982 Carpenter 119/61
5,113,798 5/1992 Rera 119/61
5,245,948 9/1993 McClellan 119/51.5
5,277,149 1/1994 East 119/51.5
5,372,063 12/1994 Berg D30/130
5,577,461 11/1996 Sebastian et al. 119/61

Primary Examiner—Cathy Anne MacCormac

[56] **References Cited**

U.S. PATENT DOCUMENTS

D. 105,812 8/1937 Siekert D30/130
D. 294,531 3/1988 Neunzig D30/130
D. 299,771 2/1989 Kennedy D30/130
D. 303,169 8/1989 Hovey D30/130
D. 312,895 12/1990 Goet D30/129
D. 343,929 2/1994 Karapetian D30/130
D. 379,684 6/1997 Dennis D30/130

[57] **CLAIM**

The ornamental design for a moated pet food dish, as shown.

DESCRIPTION

FIG. 1 is a front elevational view of the moated pet food dish of the present invention;
FIG. 2 is a back elevational view thereof;
FIG. 3 is a right side elevational view thereof;
FIG. 4 is a left side elevational view thereof;
FIG. 5 is a top plan view thereof;
FIG. 6 is a bottom plan view thereof; and,
FIG. 7 is a cross sectional view along line 7—7 of FIG. 5 thereof.

1 Claim, 3 Drawing Sheets

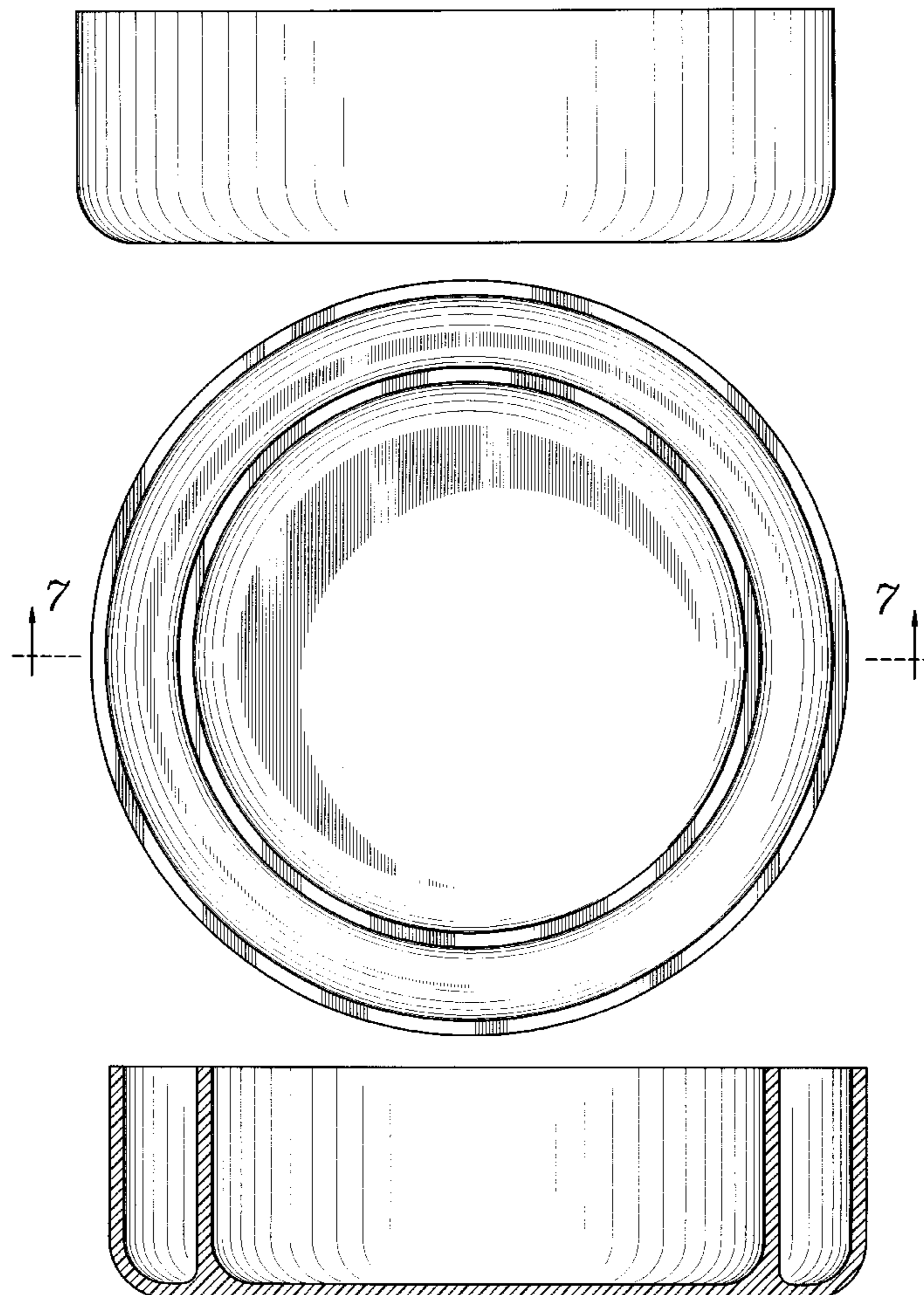


FIG. 1

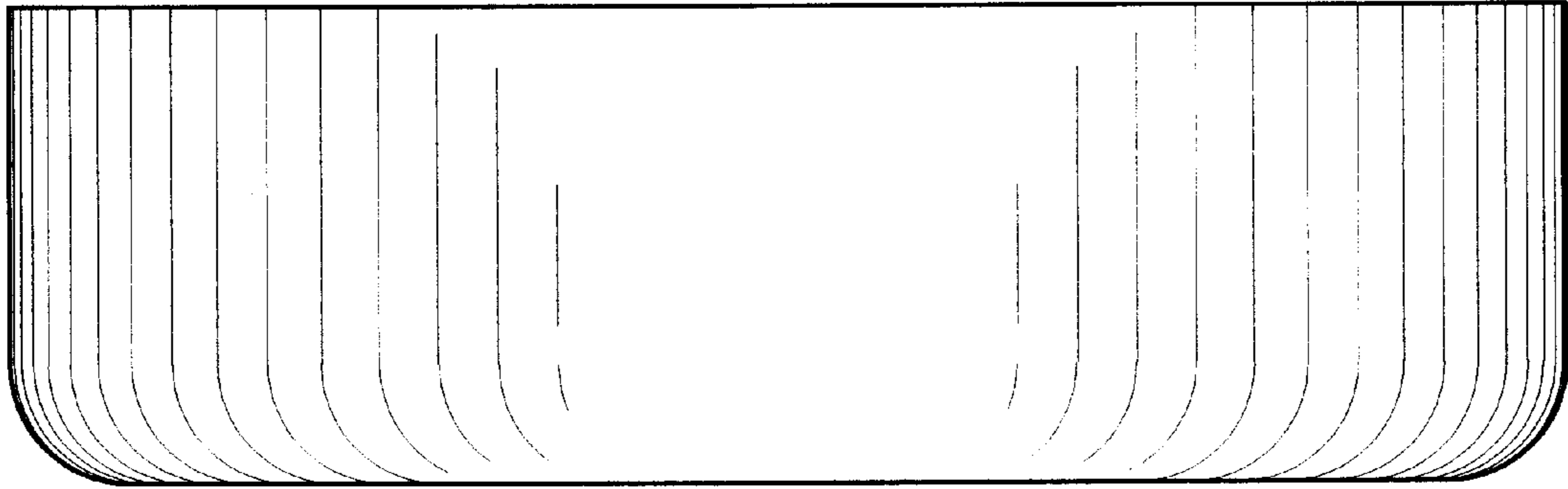


FIG. 2

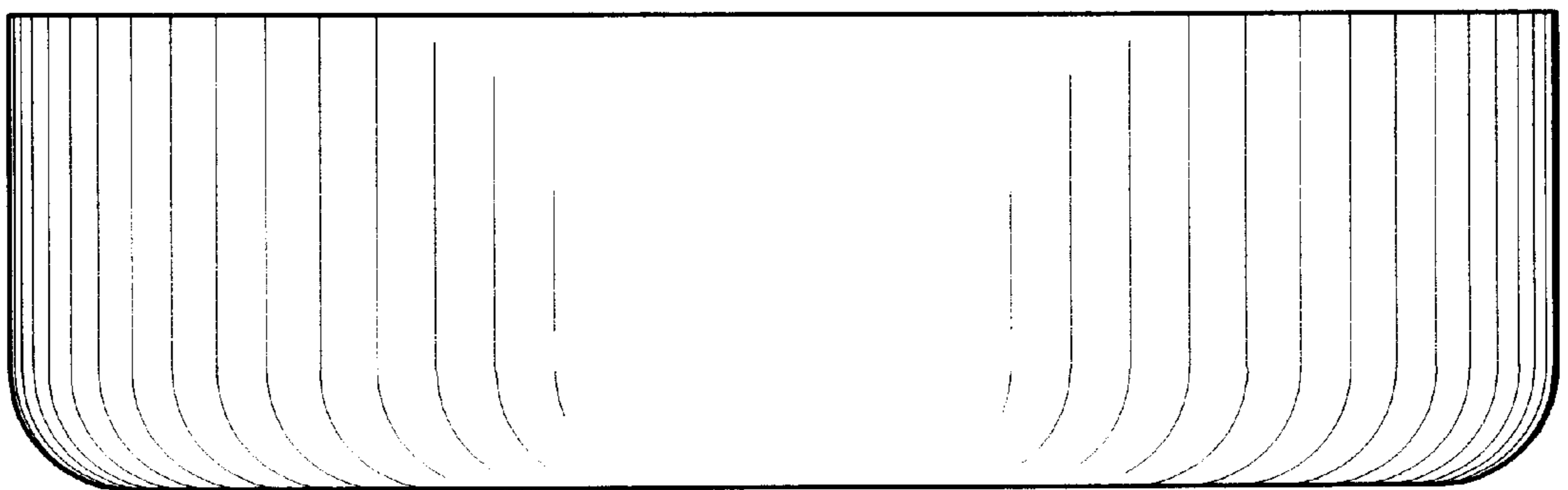


FIG. 3

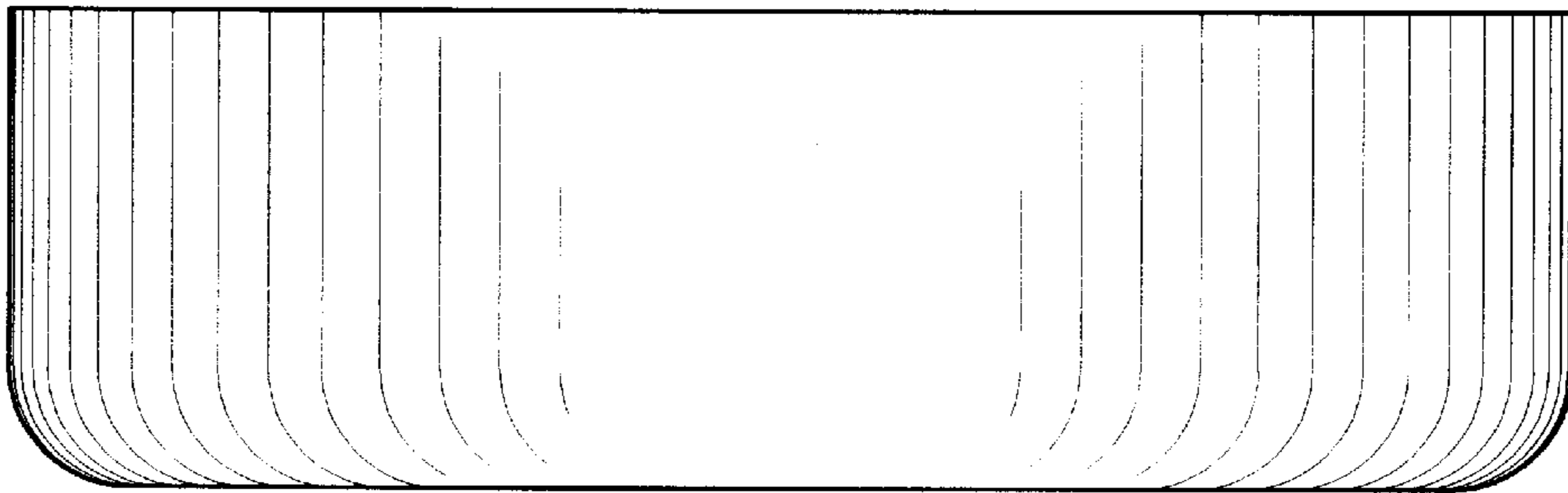


FIG. 4

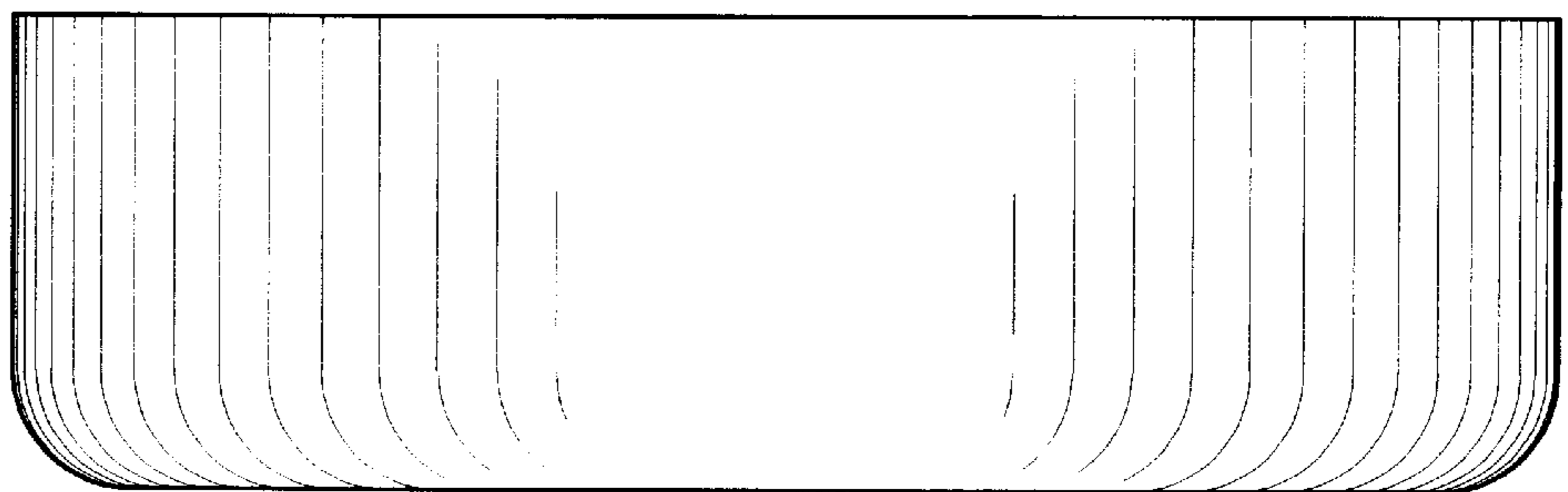


FIG. 5

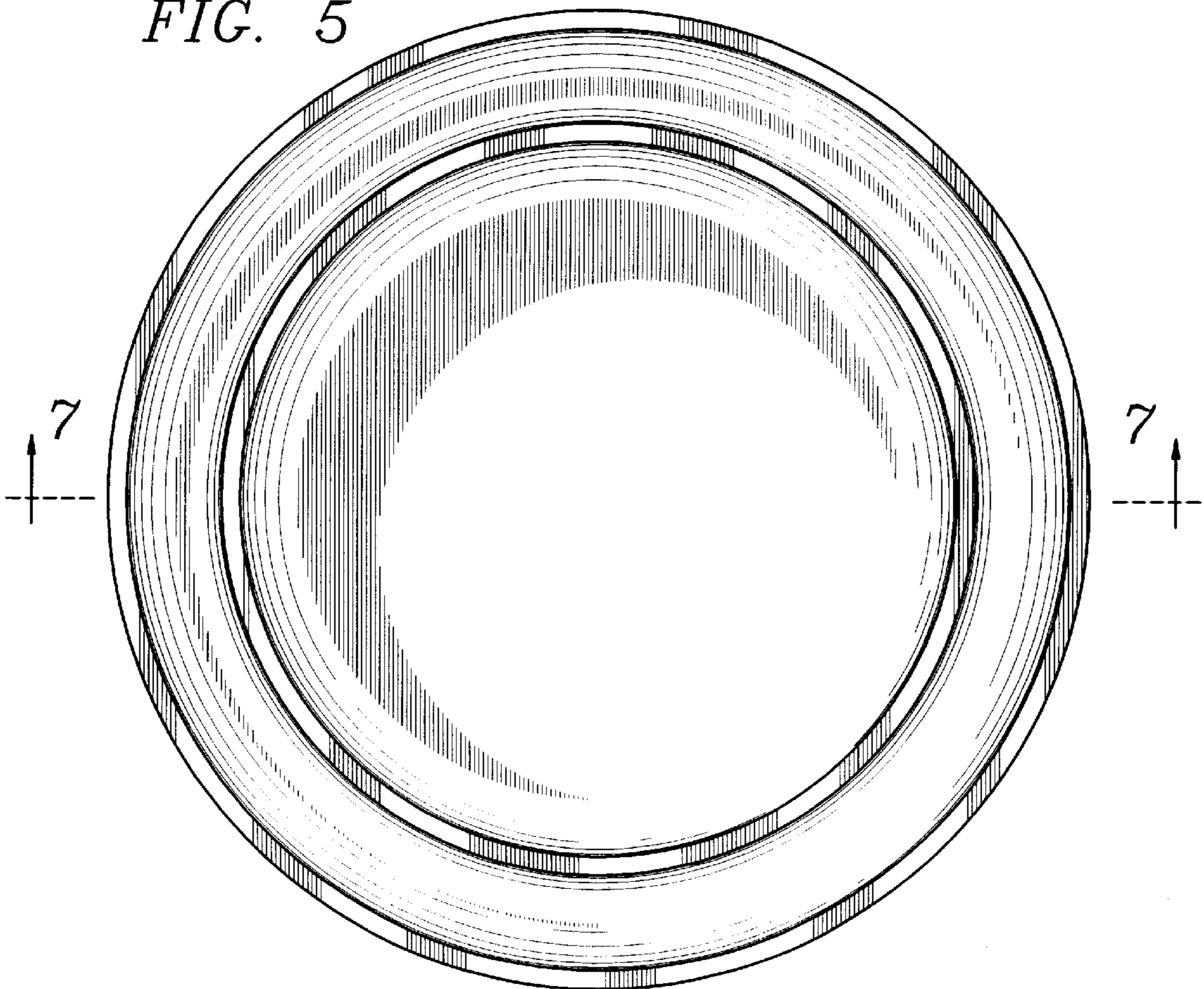


FIG. 6

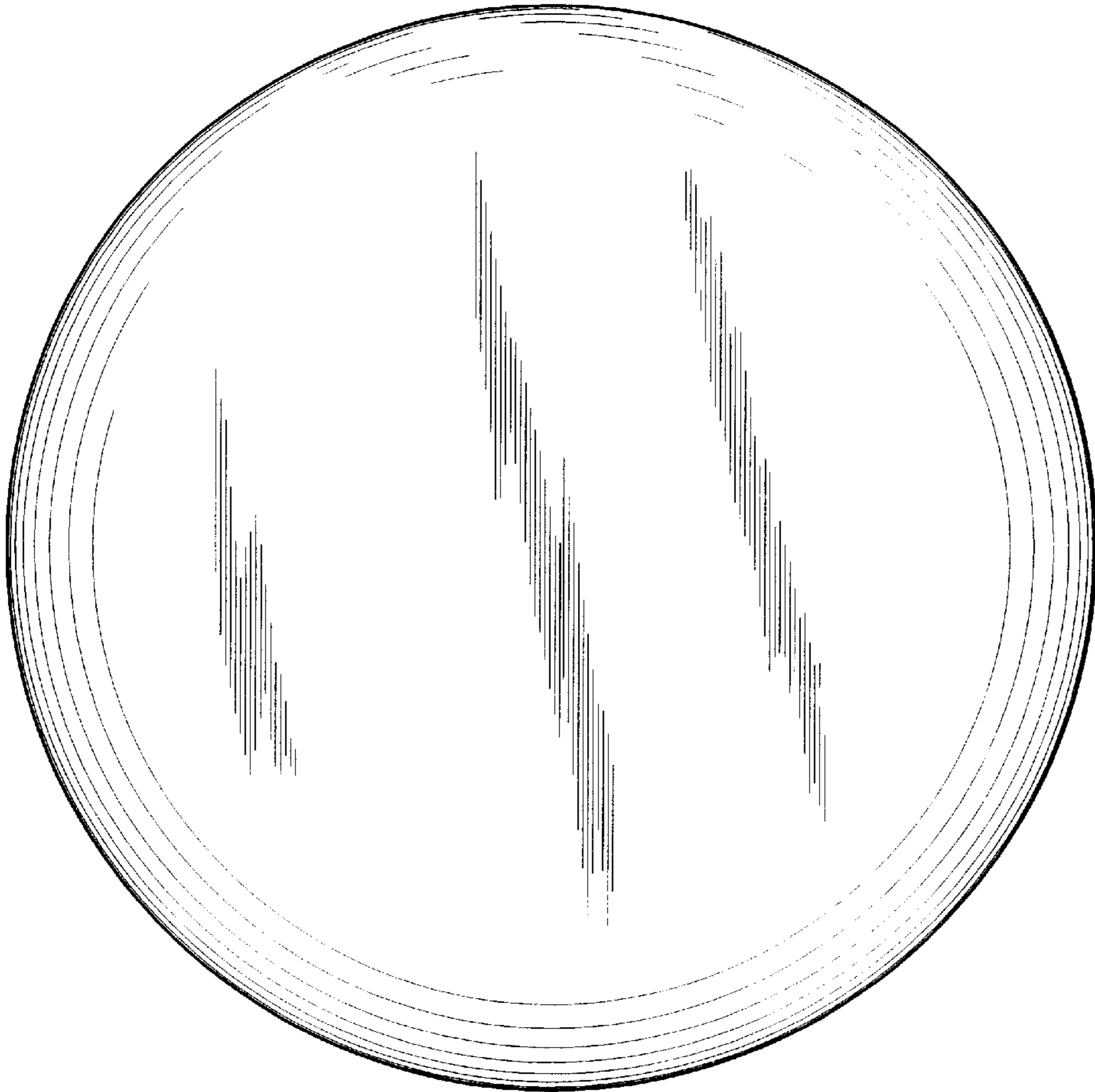


FIG. 7

