



US00D412224S

# United States Patent [19] Adler

[11] Patent Number: Des. 412,224  
[45] Date of Patent: \*\* Jul. 20, 1999

[54] PORTABLE PET RAMP

[76] Inventor: Christa Adler, 30400 Rosemond Dr., Franklin, Mich. 48025

[\*\*] Term: 14 Years

[21] Appl. No.: 29/077,127

[22] Filed: Sep. 29, 1997

[51] LOC (6) Cl. .... 30-02

[52] U.S. Cl. .... D30/119

[58] Field of Search ..... D30/108-109, D30/117-119, 158, 160-161, 199; 119/168, 51.01, 28.5, 468, 484, 482, 498, 412, 496-497, 479, 537, 706, 847; 5/413 R; 108/156

[56] **References Cited**

U.S. PATENT DOCUMENTS

88,211	3/1869	Reed .....	119/482
D. 322,872	12/1991	Holbrook .....	D30/160
369,292	8/1887	Livingston et al. ....	119/847
D. 375,388	11/1996	Tsugita .....	D30/118
379,146	3/1888	Toakum .....	119/847
D. 382,676	8/1997	Holbrook .....	D30/119
1,235,125	7/1917	Doyle .....	119/847
1,679,945	8/1928	Rieder .....	119/847
2,579,797	12/1951	Churchfield et al. ....	119/285
2,593,319	4/1952	Levitin et al. ....	D30/160

3,159,141	12/1964	Paterek .....	D30/160
3,359,946	12/1967	Schlutig .....	119/498
3,618,568	11/1971	Breeden .....	119/482
4,112,873	9/1978	Van Zandt .....	119/706
4,153,289	5/1979	Lewis .....	119/847
4,972,540	11/1990	Phelps .....	119/847
5,213,060	5/1993	Sloan et al. ....	119/847
5,634,440	6/1997	Mogck et al. ....	119/847
5,711,253	1/1998	Phillips et al. ....	119/706

Primary Examiner—Cathy Anne MacCormac

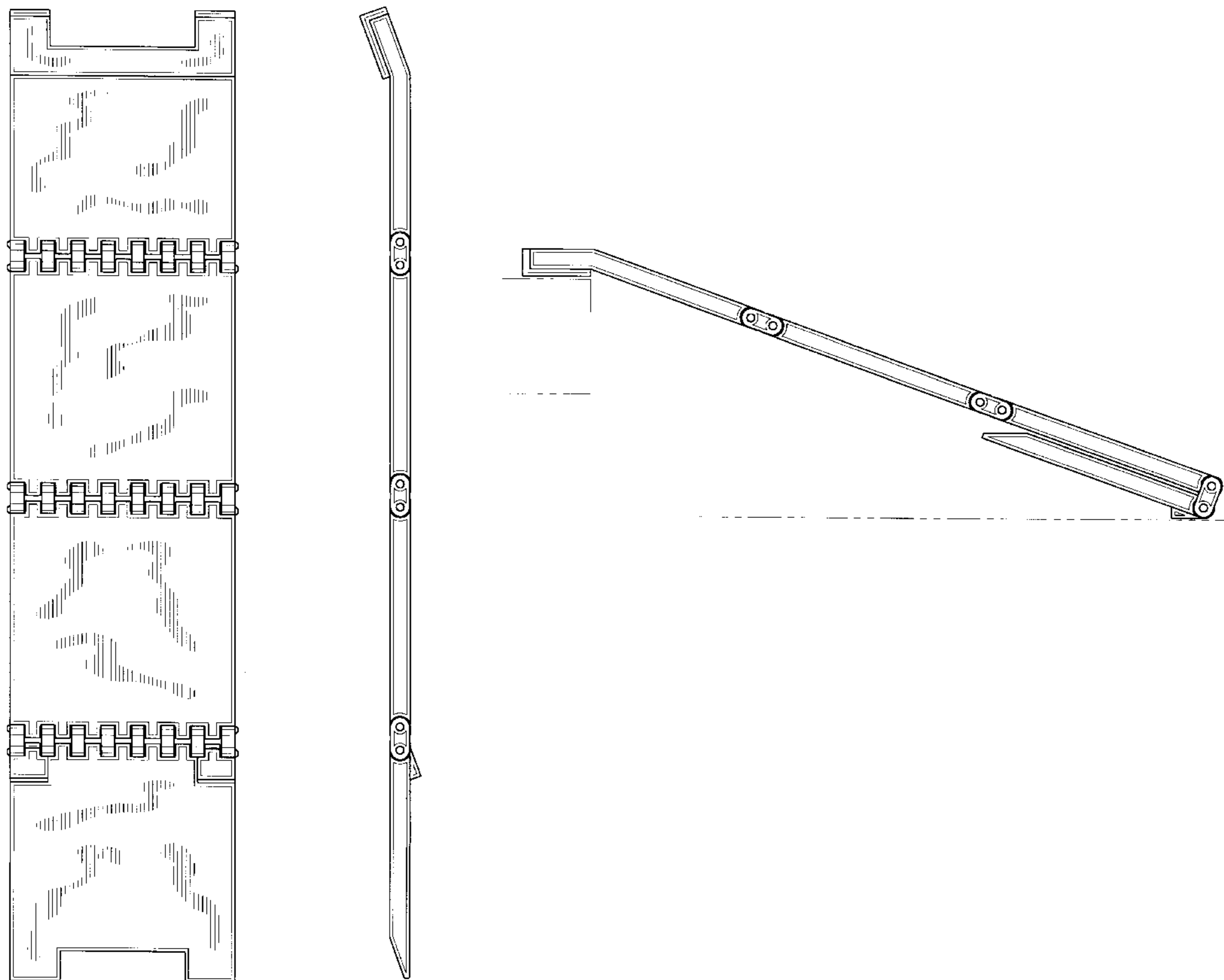
[57] **CLAIM**

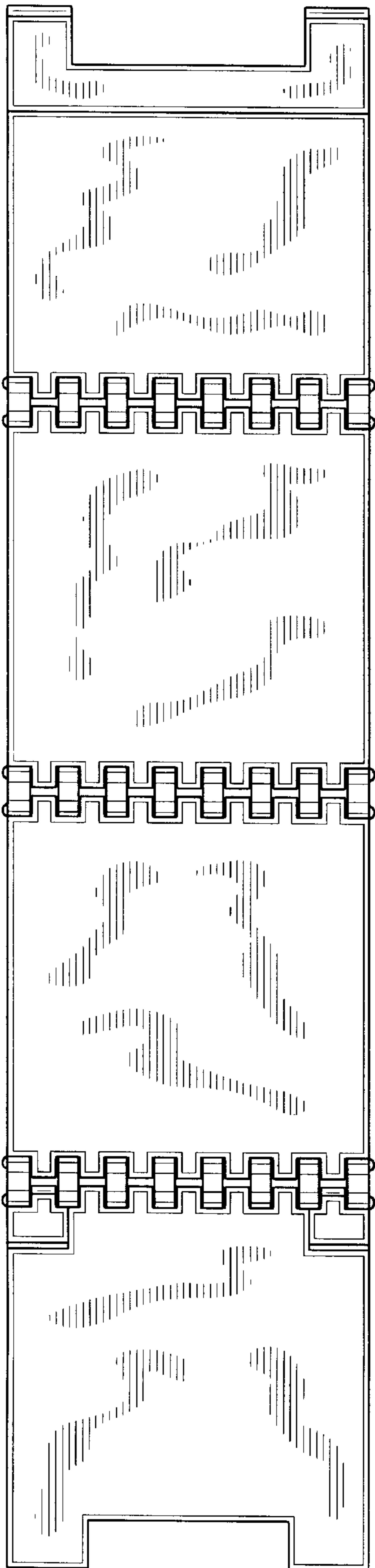
The ornamental design for a portable pet ramp, as shown and described.

**DESCRIPTION**

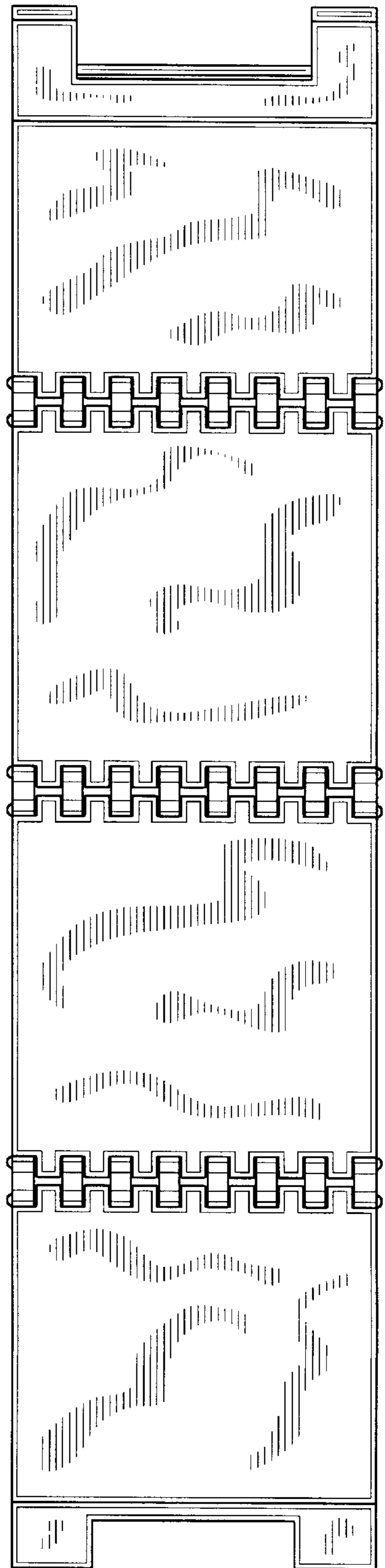
FIG. 1 is a front elevational view of a portable pet ramp showing my new design; FIG. 2 is a rear elevational view thereof; FIG. 3 is a right side view thereof; FIG. 4 is a left side view thereof; FIG. 5 is an end elevational view thereof; FIG. 6 is an opposite end elevational view thereof; and, FIG. 7 is another right side elevational view thereof. The broken lines are for purposes of illustration only and form no part of the claimed design.

1 Claim, 4 Drawing Sheets

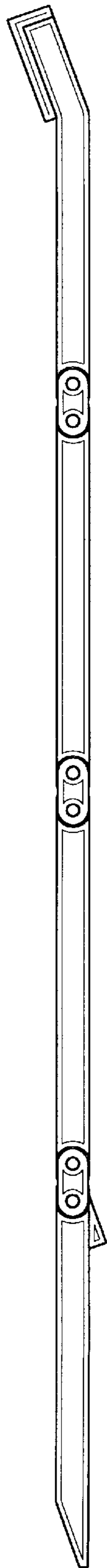




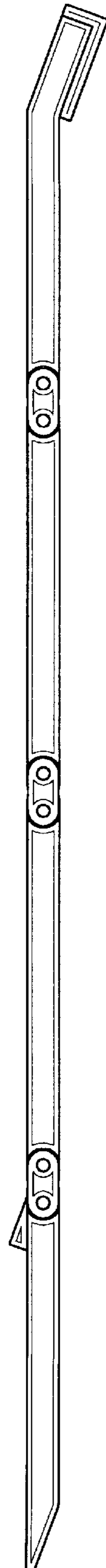
*Fig. 1*



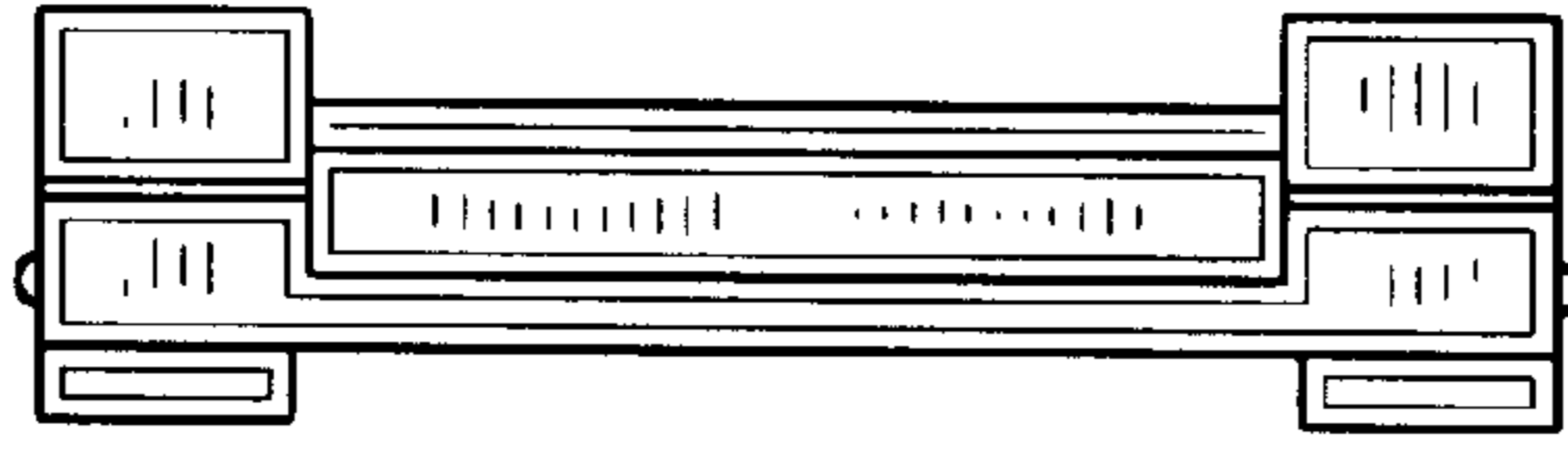
*Fig. 2*



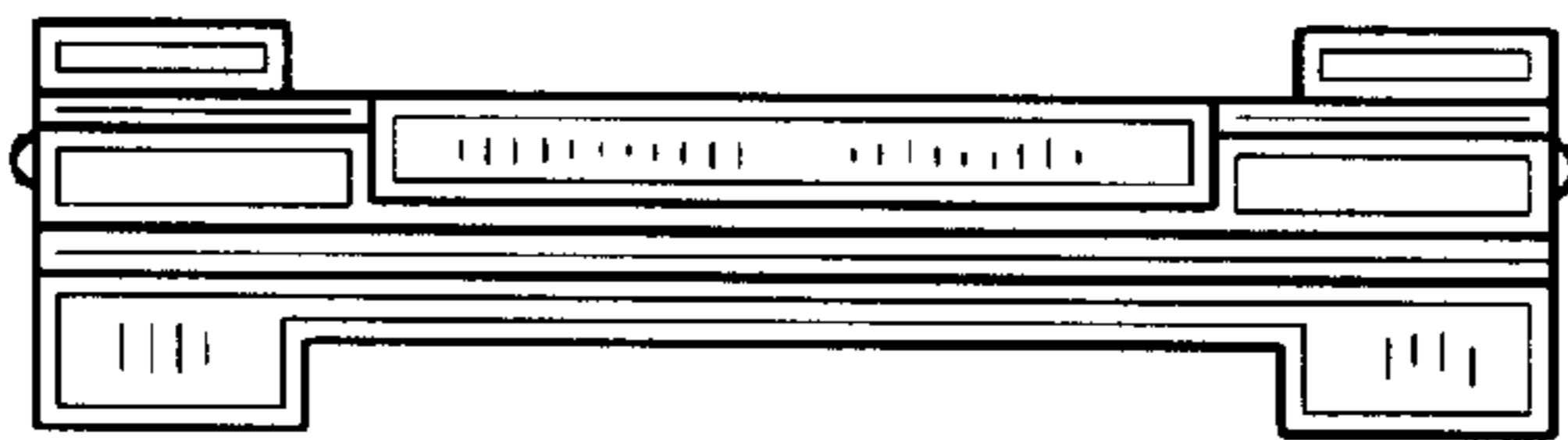
*Fig. 3*



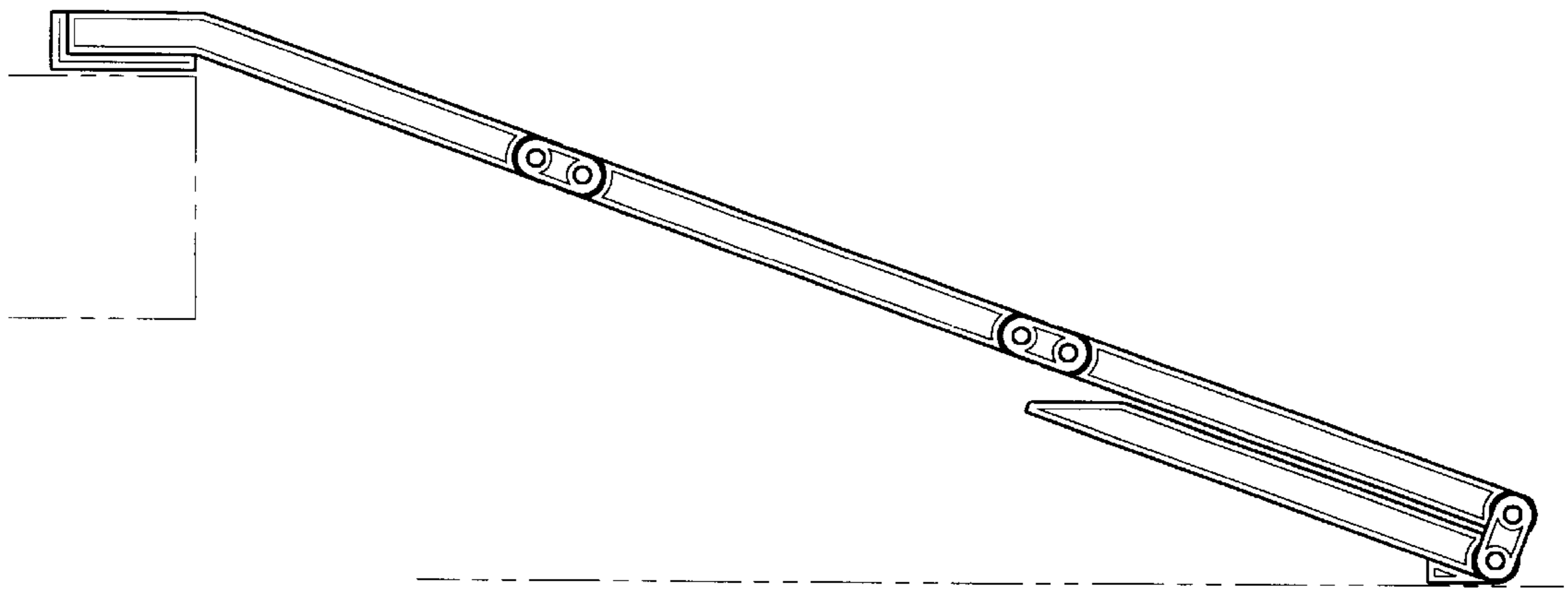
*Fig. 4*



*Fig. 5*



*Fig. 6*



*Fig. 7*