



US00D412217S

United States Patent [19] Keen

[11] Patent Number: **Des. 412,217**

[45] Date of Patent: **** Jul. 20, 1999**

[54] LAMP SHADE

[76] Inventor: **Hsu Keen**, 58, Ma Yuan West St.,
Taichung, Taiwan

[**] Term: **14 Years**

[21] Appl. No.: **29/074,397**

[22] Filed: **Jul. 26, 1997**

[51] LOC (6) Cl. **26-05**

[52] U.S. Cl. **D26/127; D26/133**

[58] Field of Search D26/125, 128-137,
D26/72, 80-92; 362/147, 404-405, 326,
327, 329, 331, 333, 334, 337-340, 351,
355, 356

[56] **References Cited**

U.S. PATENT DOCUMENTS

D. 42,718 7/1912 Strong D26/127
D. 46,575 10/1914 Ott D26/127

D. 395,095 6/1998 Keen D26/131
D. 396,318 7/1998 Hsu D26/127
D. 397,491 8/1998 Hsu D26/127

Primary Examiner—Susan J. Lucas

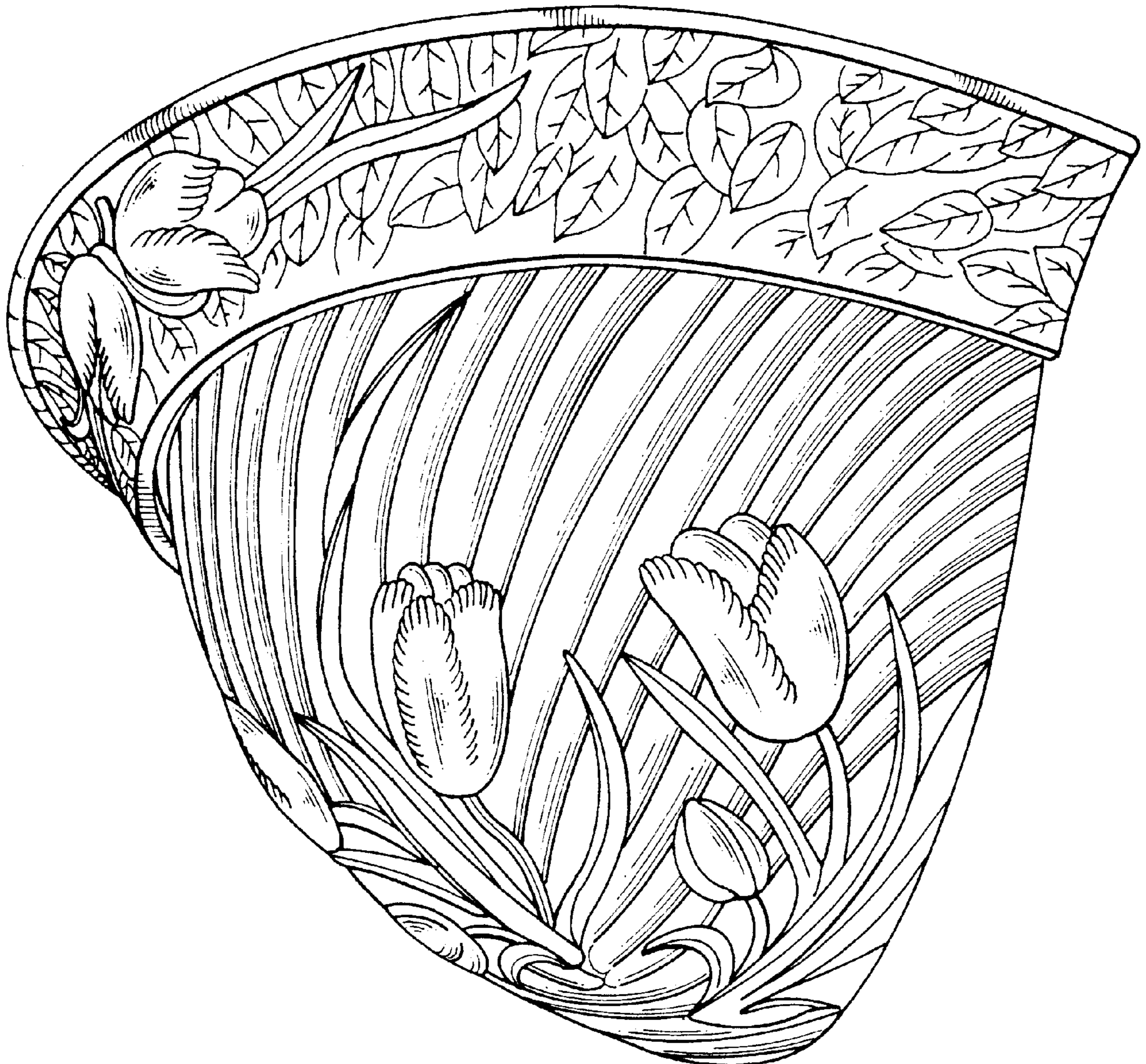
[57] **CLAIM**

The ornamental design for a lamp shade, as shown and described.

DESCRIPTION

FIG. 1 is a perspective view of lamp shade showing my new design;
FIG. 2 is a front elevational view thereof;
FIG. 3 is a rear elevational view thereof;
FIG. 4 is a left side elevational view thereof;
FIG. 5 is a right side elevational view thereof;
FIG. 6 is a top plan view thereof; and,
FIG. 7 is a bottom plan view thereof.

1 Claim, 4 Drawing Sheets



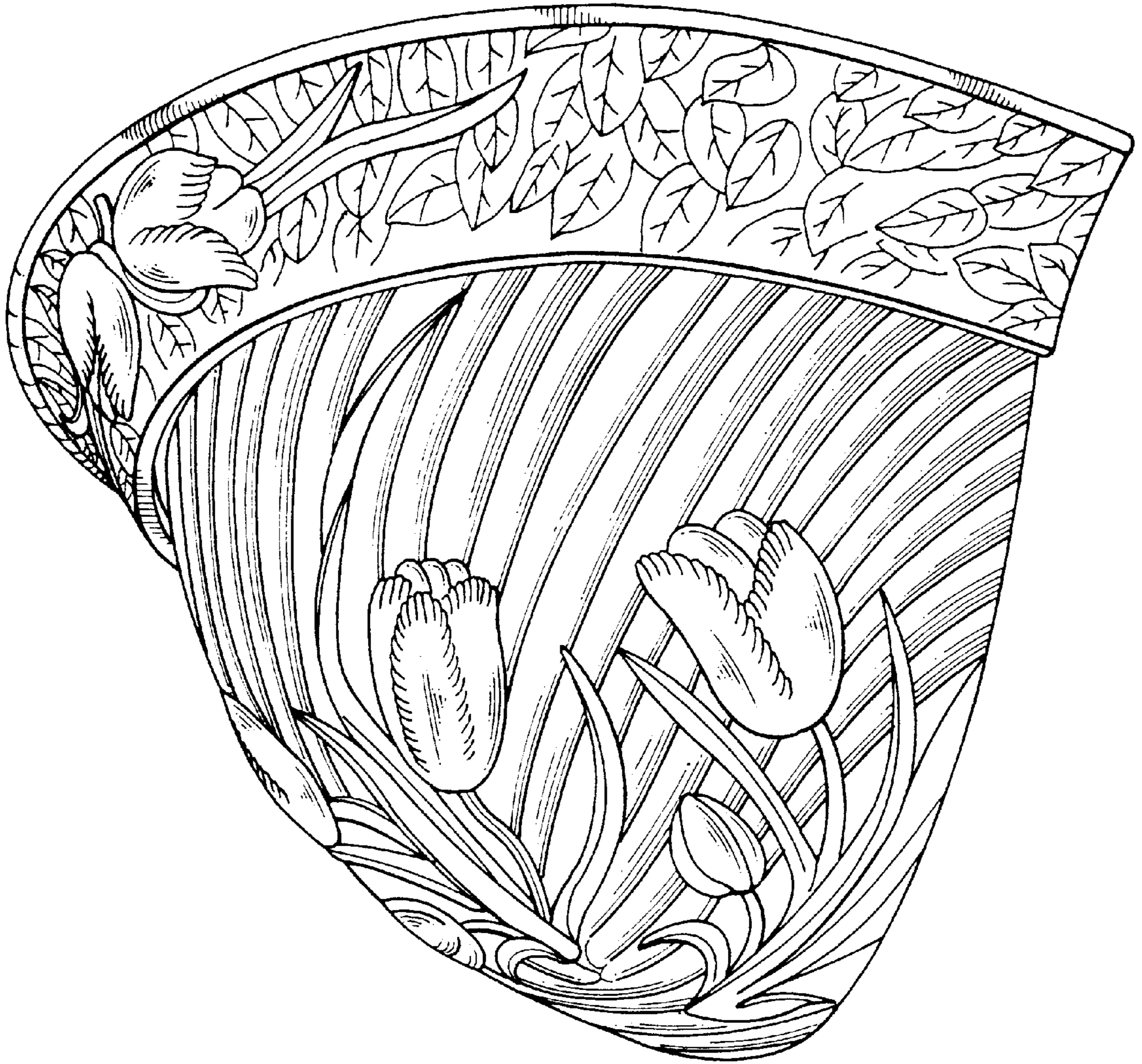


FIG. 1

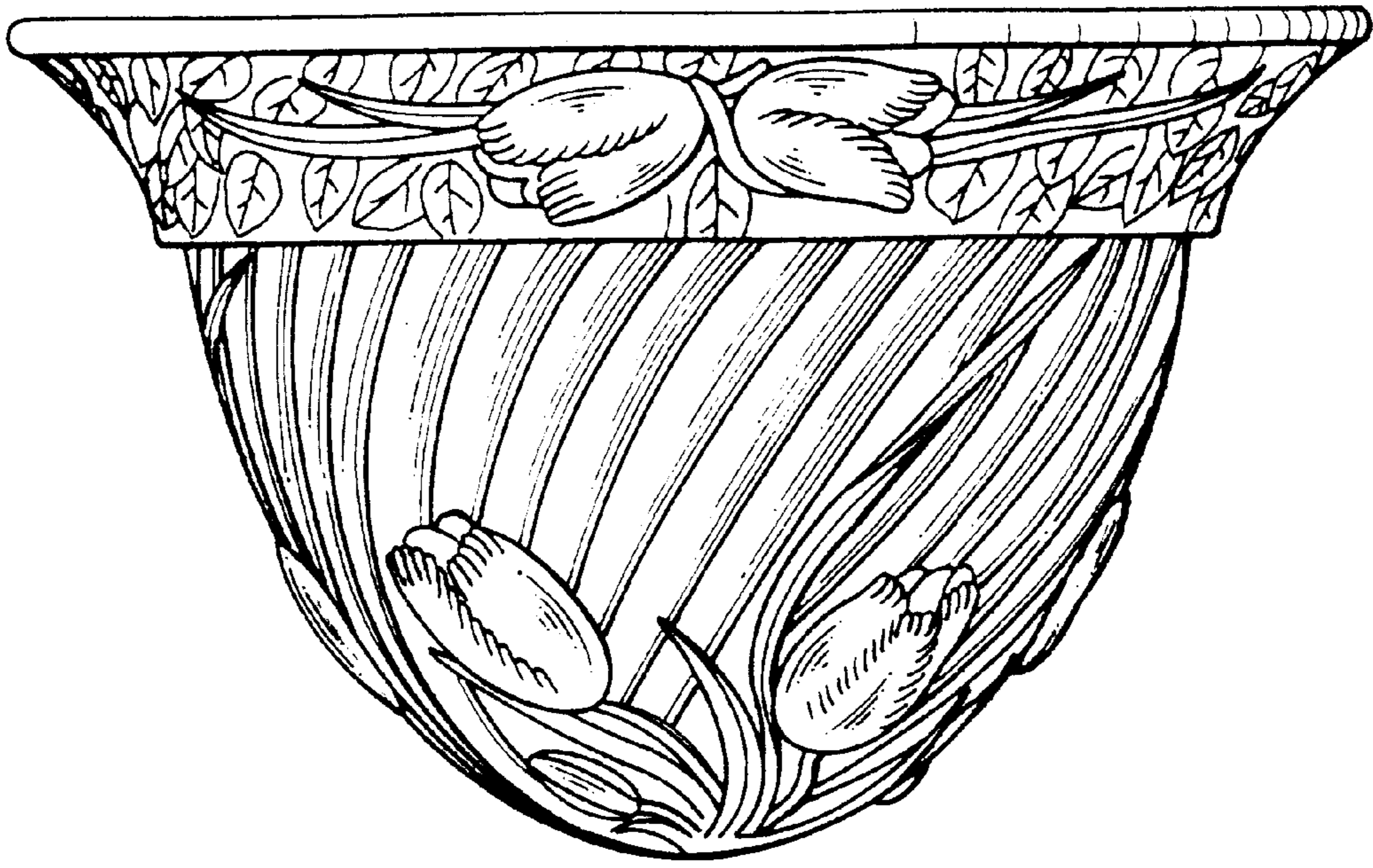


FIG. 2

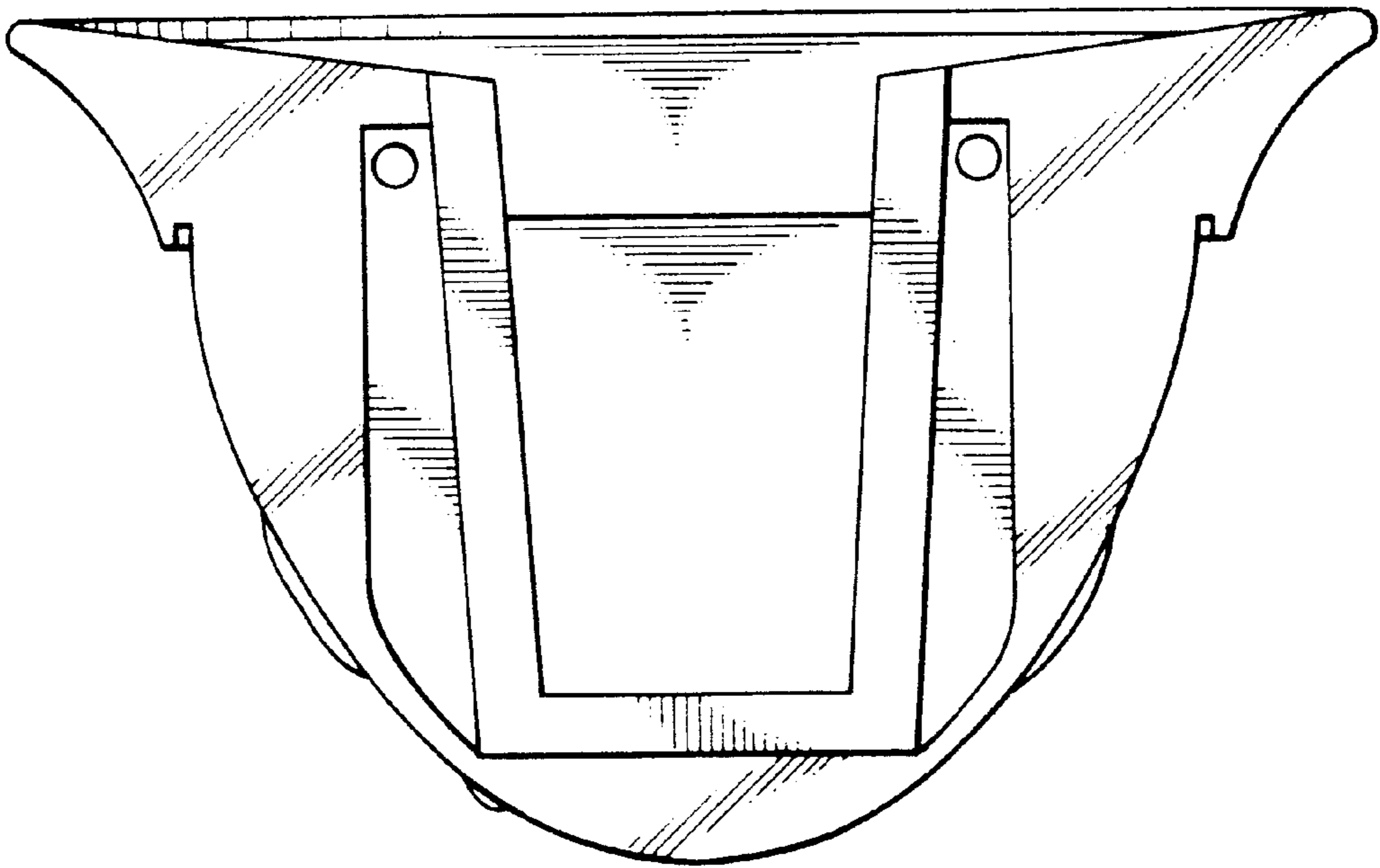


FIG. 3

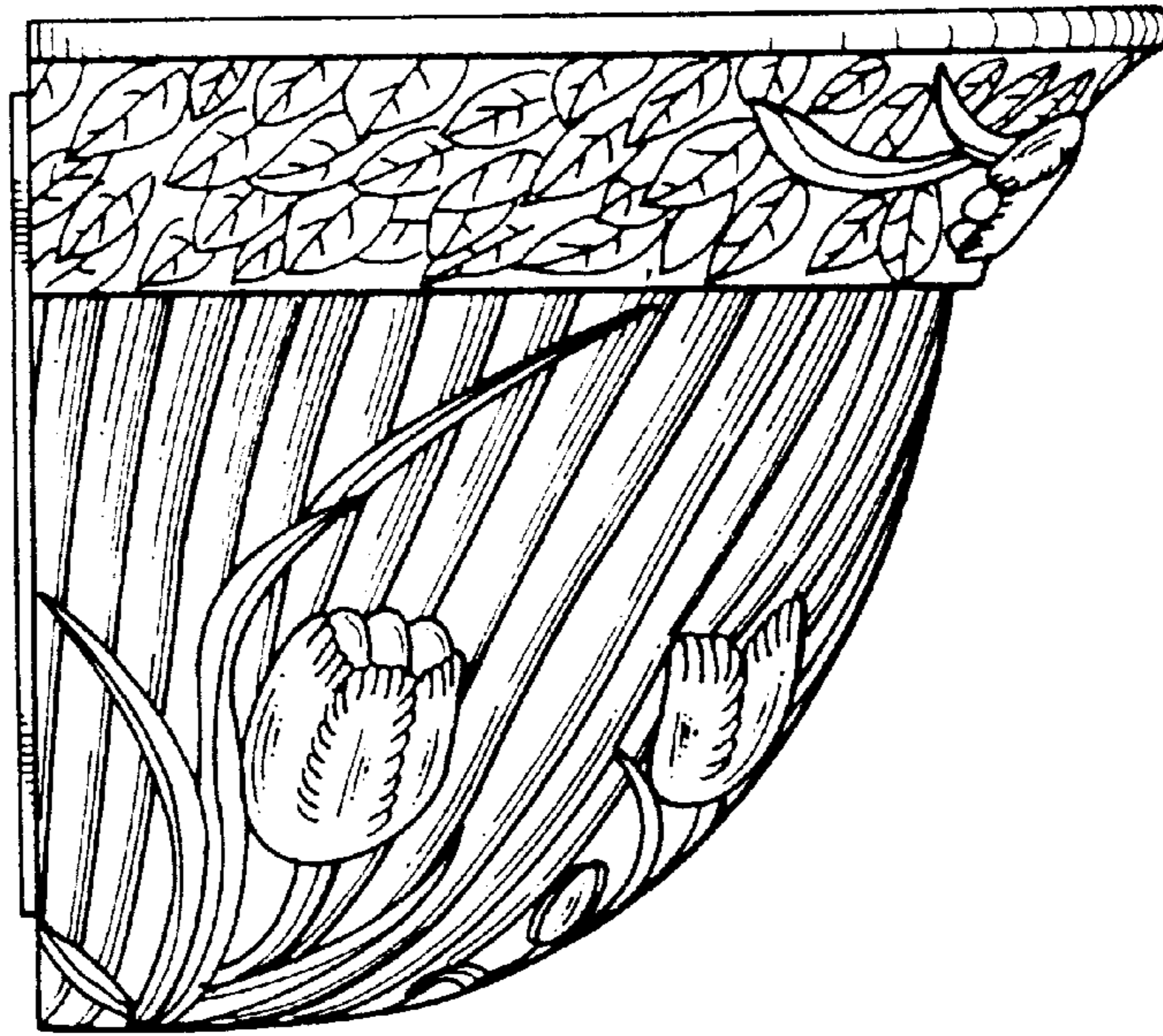


FIG. 4

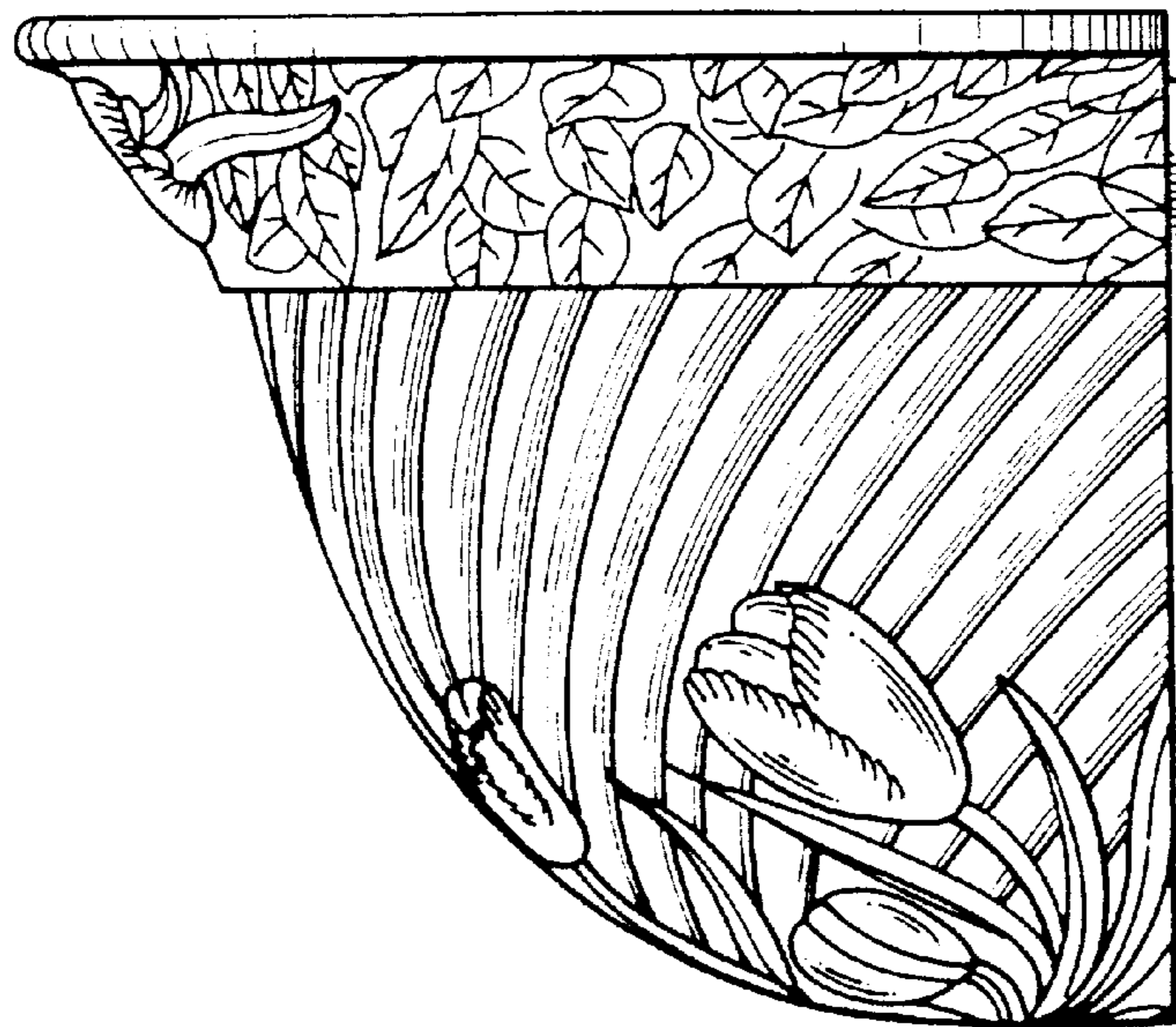


FIG. 5

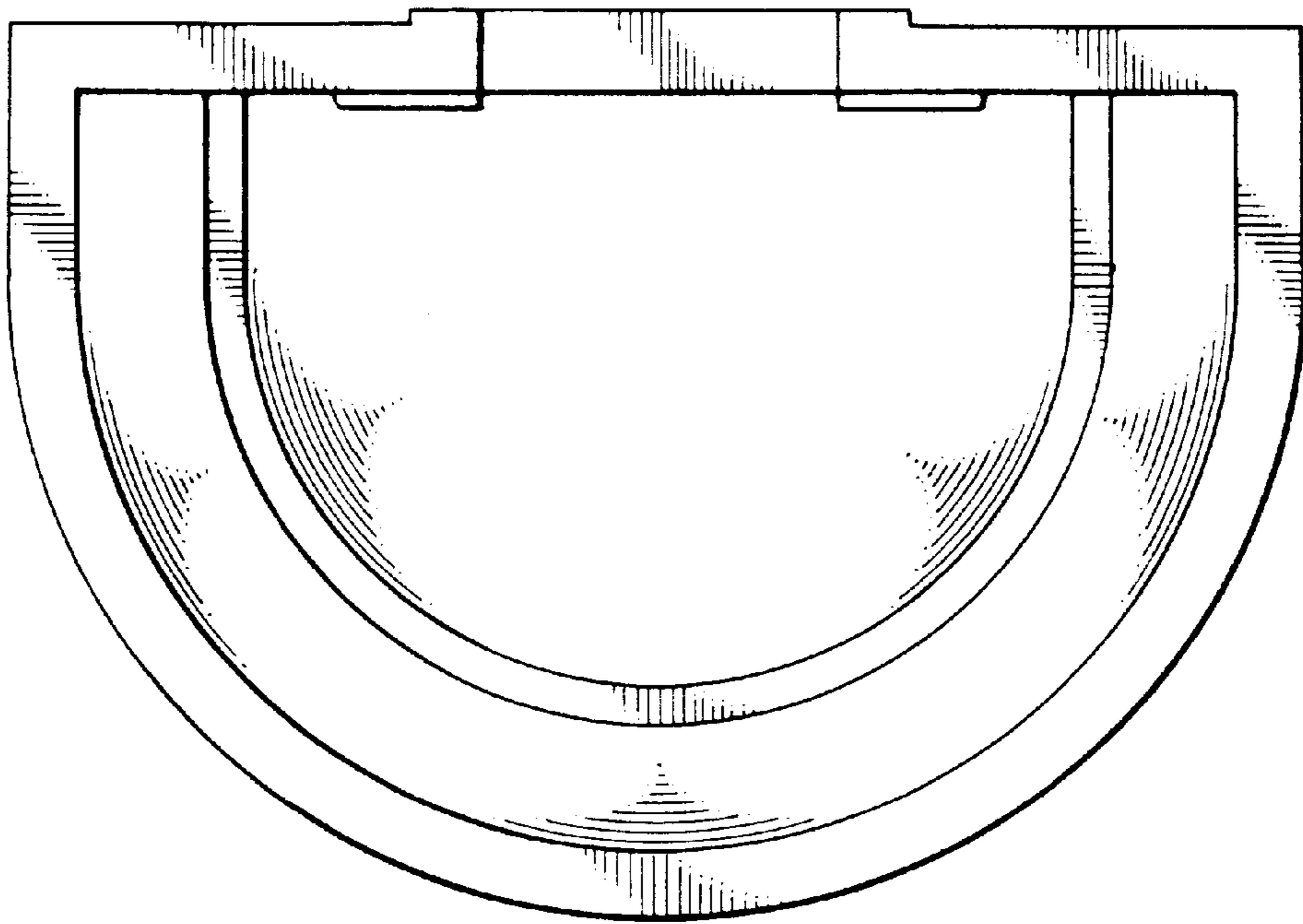


FIG. 6

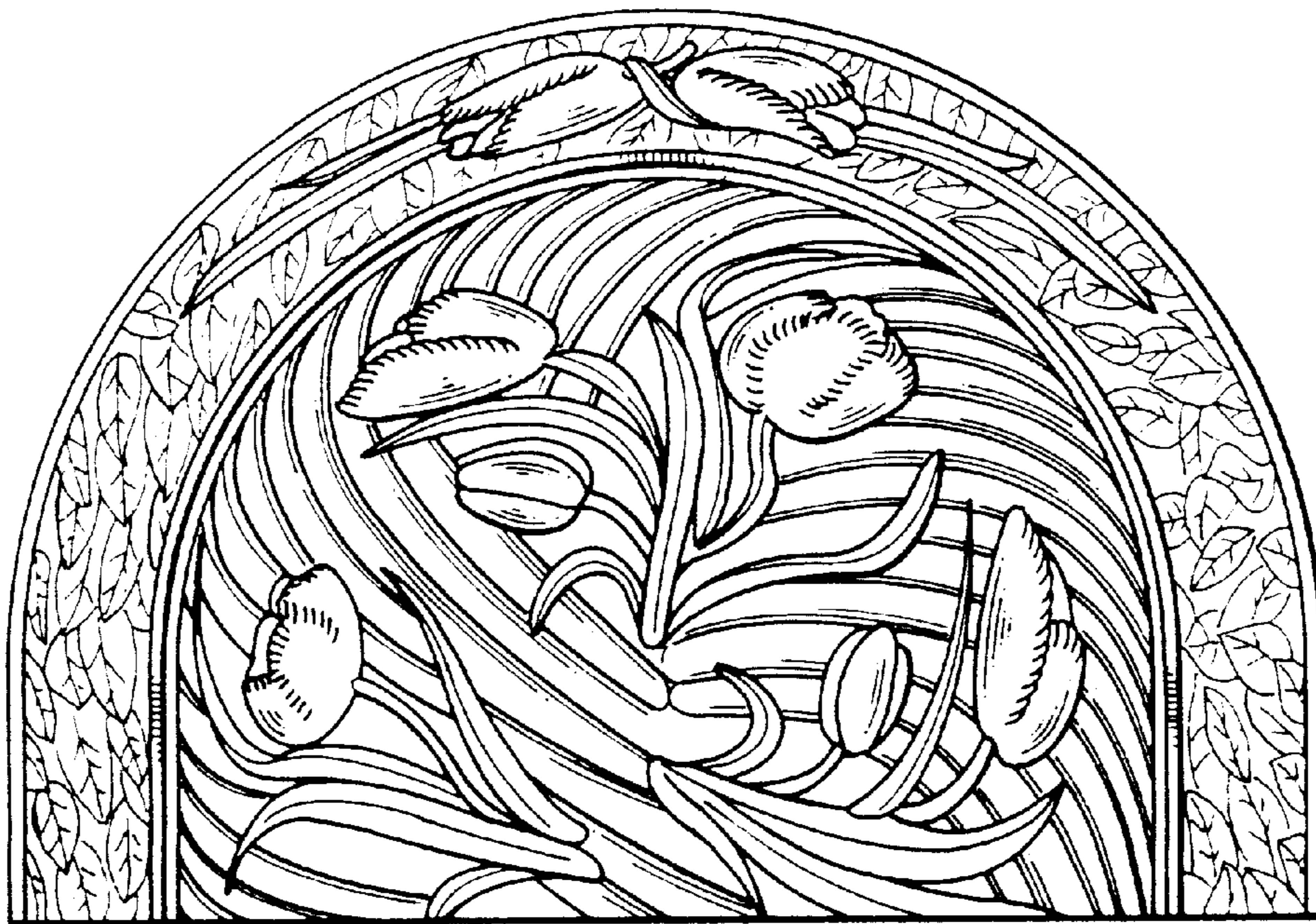


FIG. 7