



US00D412210S

United States Patent [19] Opeka

[11] Patent Number: Des. 412,210

[45] Date of Patent: ** Jul. 20, 1999

[54] LADDER STABILIZER

[76] Inventor: James F. Opeka, 293 Fern Hill Dr.,
Granville, Ohio 43023

[**] Term: 14 Years

[21] Appl. No.: 29/093,621

[22] Filed: Sep. 15, 1998

[51] LOC (6) Cl. 25-04

[52] U.S. Cl. D25/68

[58] Field of Search D25/62, 68; 248/210,
248/238; 182/107, 108, 109

[56] **References Cited**

U.S. PATENT DOCUMENTS

D. 372,105 7/1996 Plotner D25/68
4,648,482 3/1987 Kitson 182/108

Primary Examiner—Doris Clark
Attorney, Agent, or Firm—Kremblas, Foster, Millard &
Pollick

[57] **CLAIM**

The ornamental design for a ladder stabilizer, as shown and described.

DESCRIPTION

FIG. 1 is a top view of the ladder stabilizer according to the invention;
FIG. 2 is a bottom view of the ladder stabilizer of FIG. 1;
FIG. 3 is a side view of the ladder stabilizer of FIG. 1, the other side being a mirror image thereof;
FIG. 4 is an end view of the ladder stabilizer of FIG. 1; and,
FIG. 5 is a perspective view of the ladder stabilizer of FIG. 1.

1 Claim, 2 Drawing Sheets

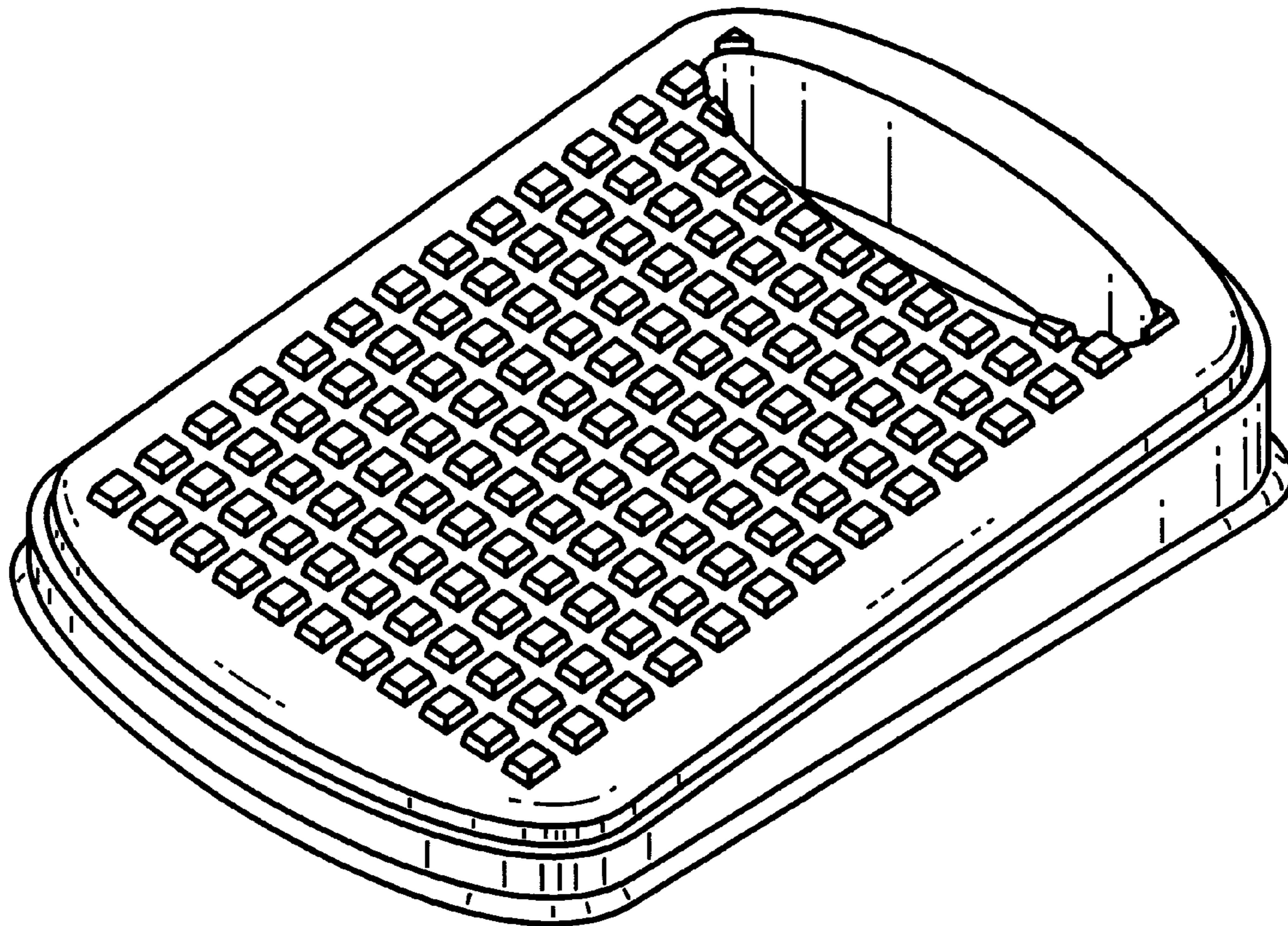


Fig. 1

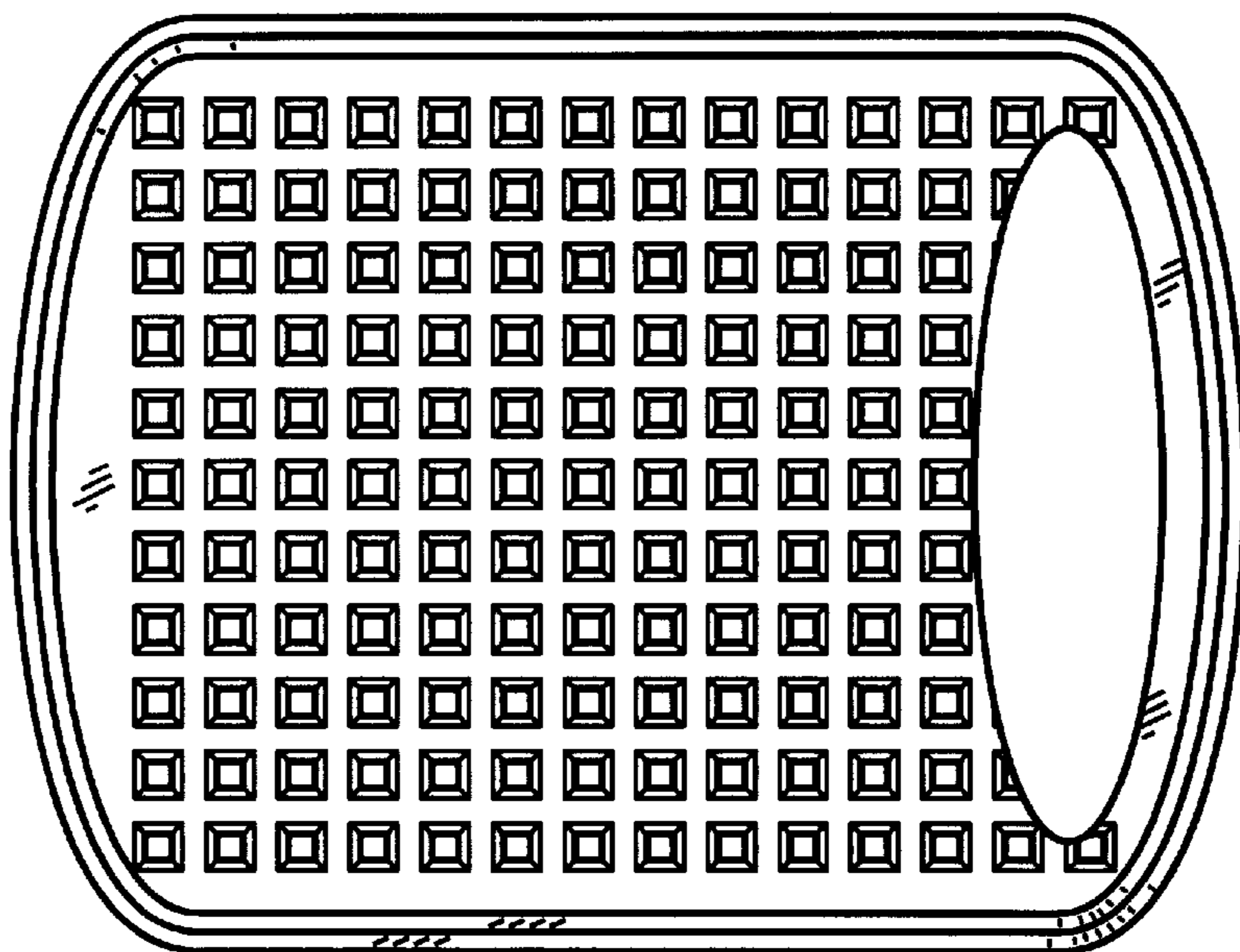


Fig. 2

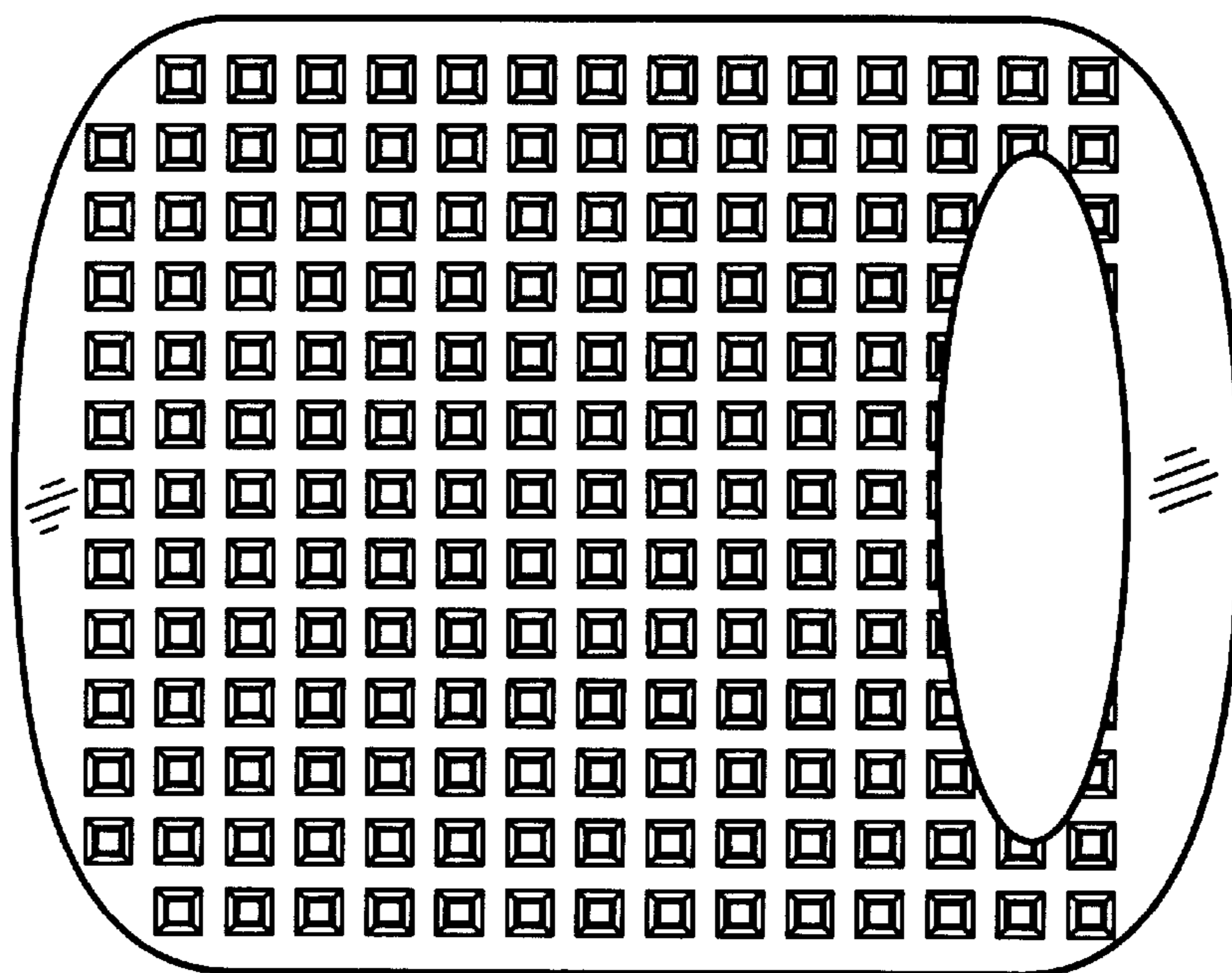


Fig. 3

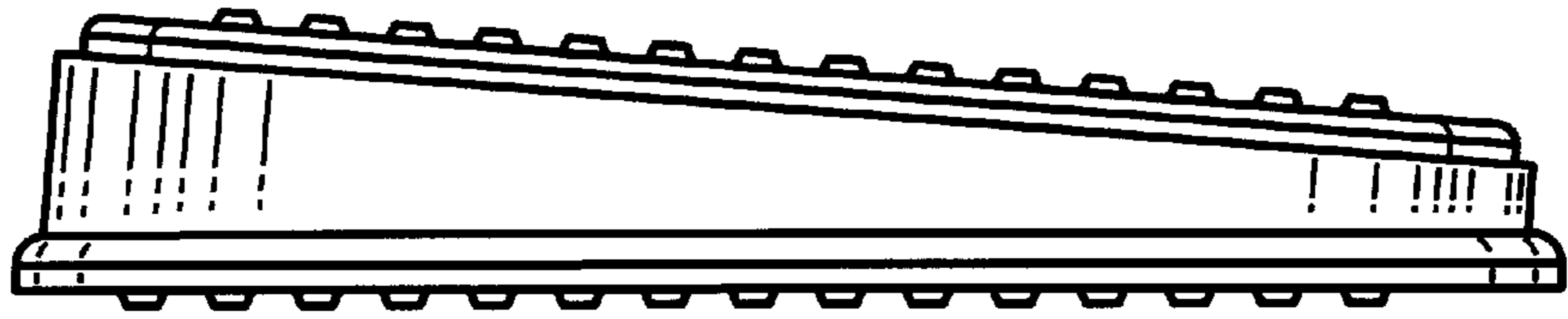


Fig. 4

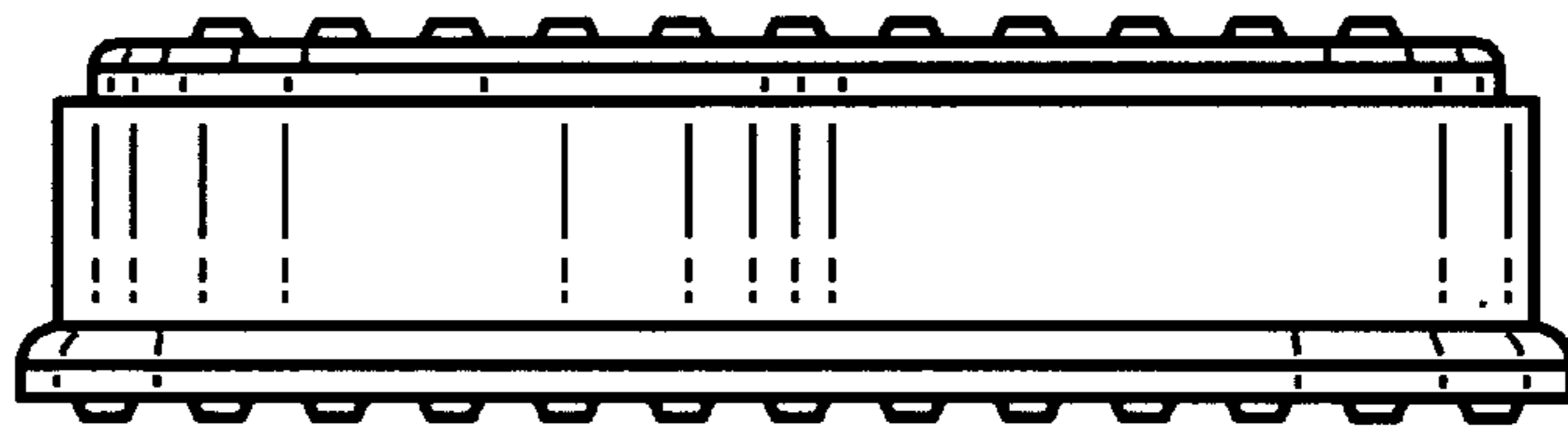


Fig. 5

