



US00D412208S

# United States Patent [19]

[11] **Patent Number: Des. 412,208**

**Nelson et al.**

[45] **Date of Patent: \*\* Jul. 20, 1999**

[54] **DISPLAY PANEL FOR A MEDICAL IMAGER**

[75] Inventors: **Bruce E. Nelson**, Minneapolis; **Douglas D. Jensen**, Woodbury, both of Minn.

[73] Assignee: **Imation Corp.**, Oakdale, Minn.

[\*\*] Term: **14 Years**

[21] Appl. No.: **29/079,901**

[22] Filed: **Nov. 18, 1997**

[51] **LOC (6) Cl. .... 24-01**

[52] **U.S. Cl. .... D24/158**

[58] **Field of Search** ..... D24/158, 161; 378/167, 180, 182, 183, 185, 189, 190; D14/100, 113, 115; D16/247, 246, 250

[56] **References Cited**

**U.S. PATENT DOCUMENTS**

D. 278,630	4/1985	Ender et al. ....	D14/115
D. 329,848	9/1992	Mizusugi et al. ....	D14/115
D. 340,520	10/1993	Reibl .....	D24/158
D. 345,548	3/1994	Giebler et al. ....	D14/100
D. 354,747	1/1995	Herbstritt .....	D14/115
D. 360,201	7/1995	Nelson et al. ....	D14/115
D. 364,860	12/1995	Giebler et al. ....	D14/114
D. 372,095	7/1996	Whitby et al. ....	D24/158
D. 372,704	8/1996	Nelson .....	D14/113
D. 372,710	8/1996	Nelson .....	D14/115

**OTHER PUBLICATIONS**

Product brochure, "The Family of 3M 969 HQ Laser Imagers" ©1994.

Product brochure, "The 3M Laser Imager XL" ©1991.

Product brochure, "3M 969 HQS Laser Imager" ©1993.

Product brochure, "3M 969 HQ Dual Printer" ©1993.

Product brochure, "The 3M Laser Imager System" ©1991.

Product brochure, "3M Laser Imager XL Dual Printer" ©1992.

Product brochure, "Imation Dry View 8700 and 8500 Laser Imaging Systems" ©1995.

*Primary Examiner*—Stella Reid

*Attorney, Agent, or Firm*—William K. Weimer

[57] **CLAIM**

The ornamental design for a display panel for a medical imager, as shown and described.

**DESCRIPTION**

FIG. 1 is an isometric view of a display panel for a medical imager showing our new design;

FIG. 2 is a front elevational view thereof;

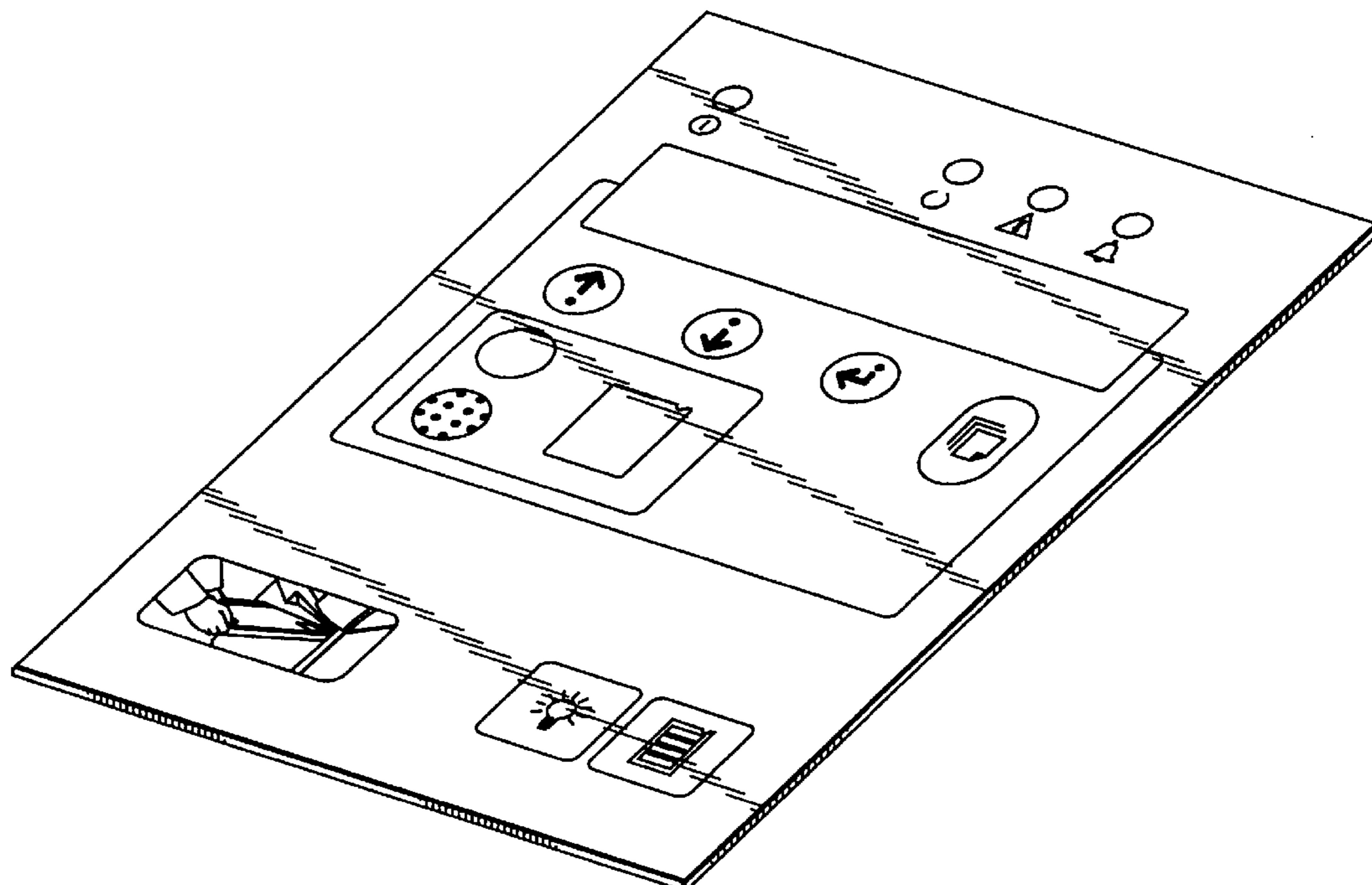
FIG. 3 is a top plan view thereof, the bottom view is a mirror image;

FIG. 4 is a rear elevational view thereof;

FIG. 5 is a right side elevational view thereof, the left side elevational view is a mirror image; and,

FIG. 6 is a perspective view thereof, with the broken line showing of the medical imager being for illustrative purposes only and forming no part of the claimed design.

**1 Claim, 4 Drawing Sheets**



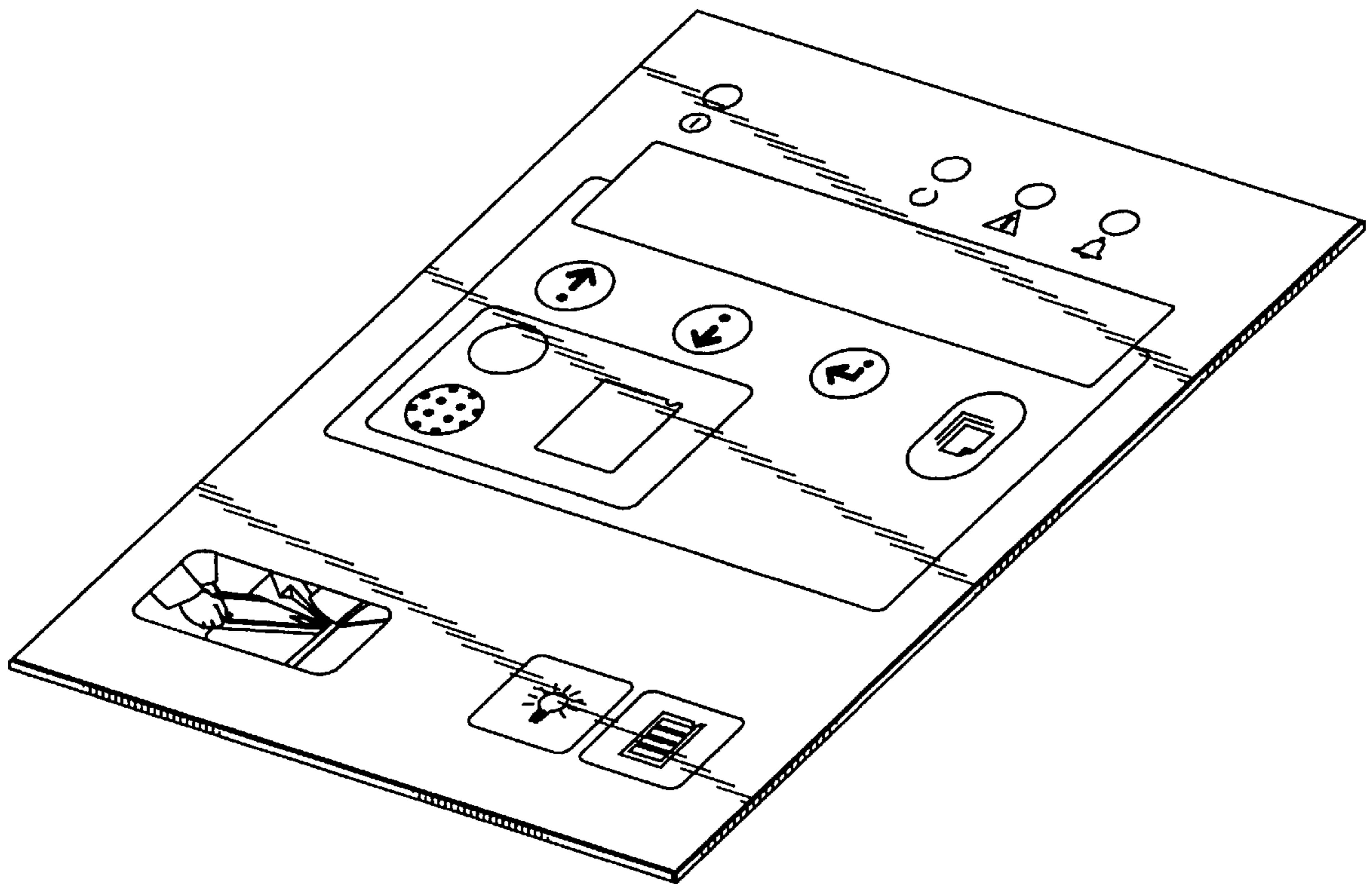


Fig. 1

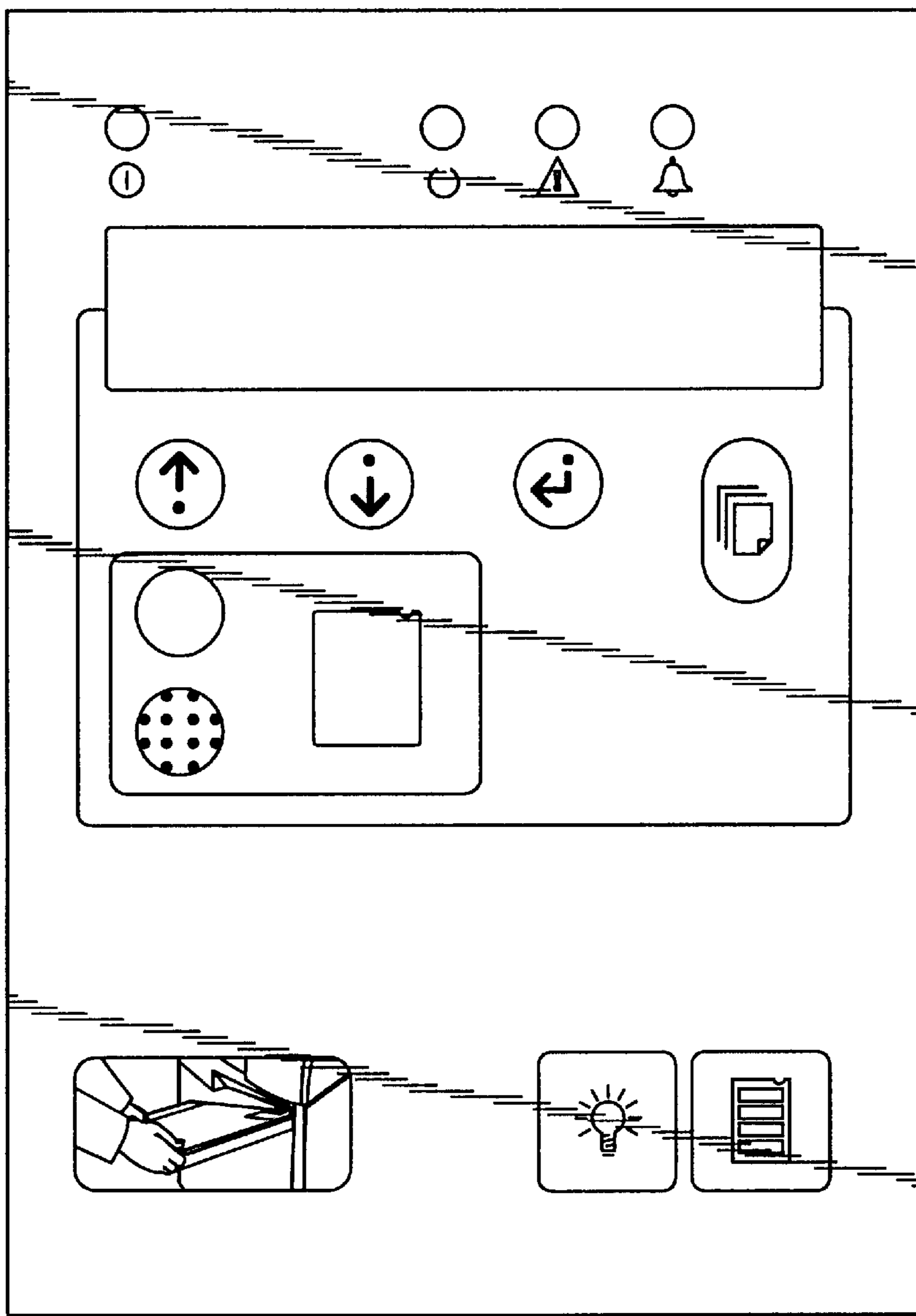


Fig. 2



Fig. 3

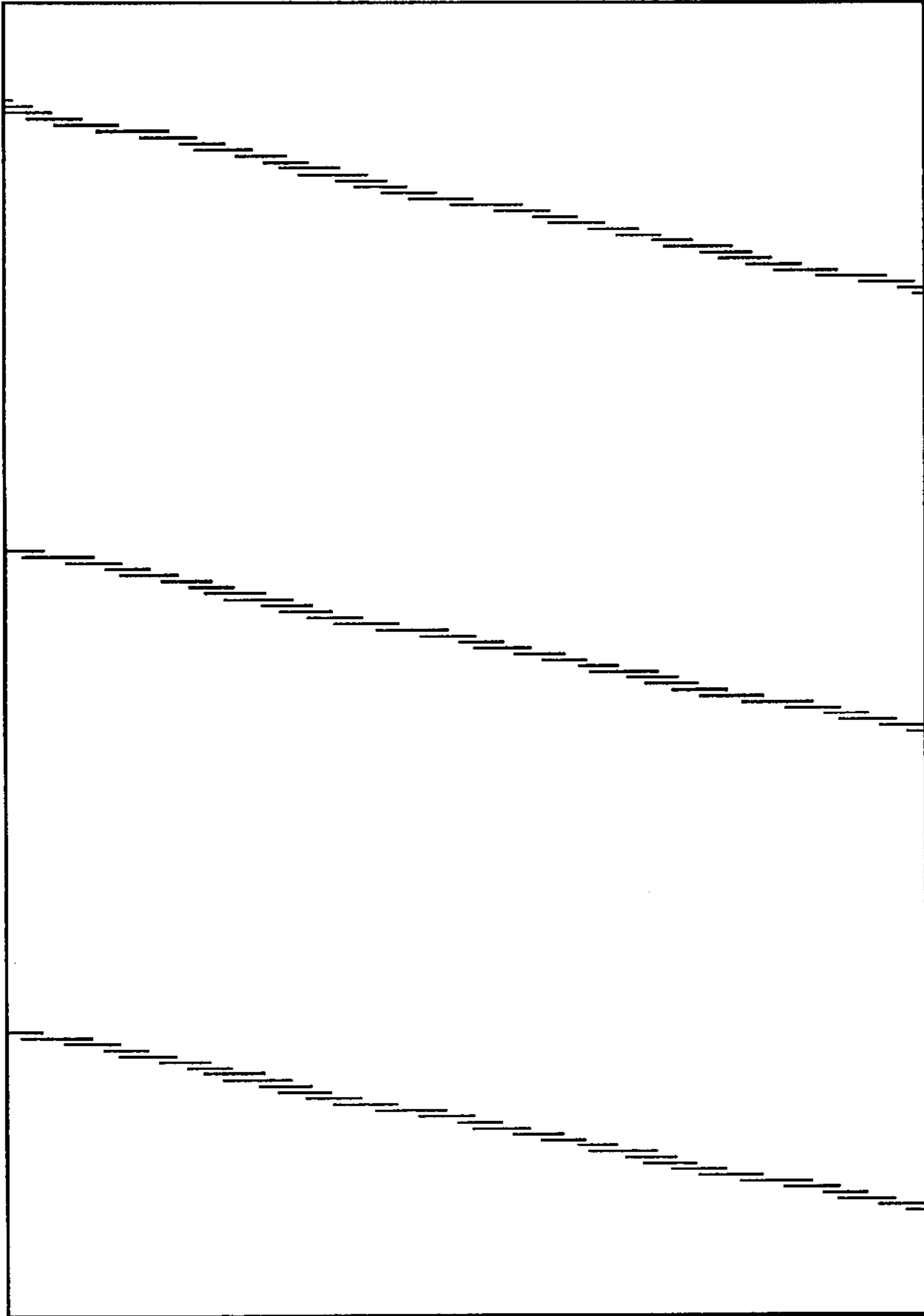
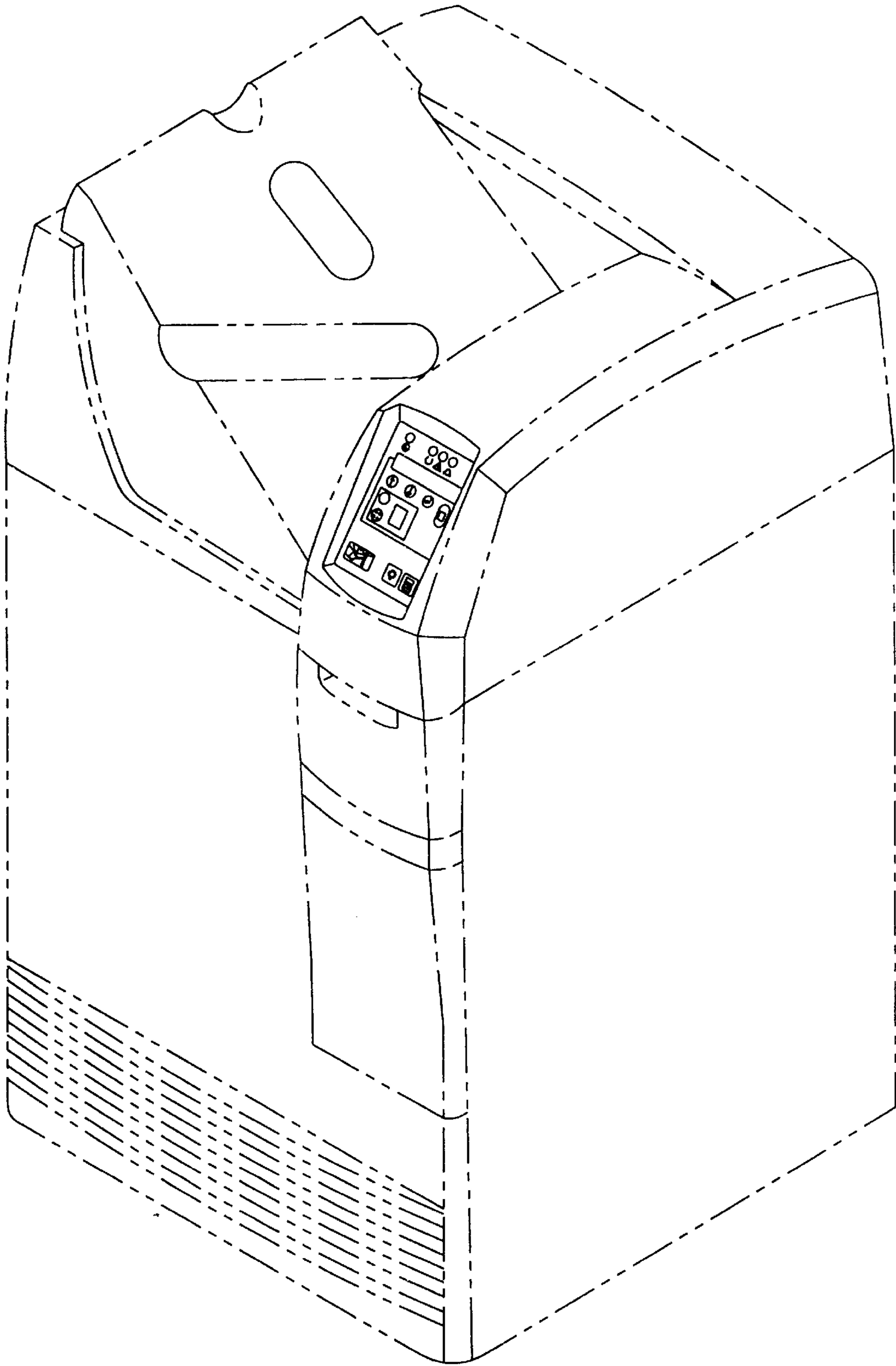


Fig. 4



Fig. 5



**Fig. 6**