



US00D412206S

United States Patent [19]

Basile et al.

[11] Patent Number: **Des. 412,206**

[45] Date of Patent: **** Jul. 20, 1999**

[54] **SYRINGE HAVING A DETACHABLE PLUNGER ROD**

[75] Inventors: **Peter A. Basile**, Lawrenceville; **Scott C. Brown**, Princeton; **Fred E. Snyder**, Princeton Junction, all of N.J.; **Joseph V. Tirrell**, Birdsboro, Pa.

[73] Assignee: **Nycomed Imaging AS**, Oslo, Norway

[**] Term: **14 Years**

[21] Appl. No.: **29/061,633**

[22] Filed: **Oct. 28, 1996**

[51] **LOC (6) Cl.** **24-02**

[52] **U.S. Cl.** **D24/130**

[58] **Field of Search** D24/130, 114; 604/187, 214, 227, 228, 220, 203, 198, 263, 192, 193, 166, 164, 158, 110

[56] **References Cited**

U.S. PATENT DOCUMENTS

Re. 32,974	7/1989	Porat et al. .	
D. 338,957	8/1993	de Faire et al.	D24/130
D. 344,355	2/1994	Thlomm et al.	D24/130
D. 347,688	6/1994	Adams	D24/130
1,222,424	4/1917	Laurent .	
1,707,880	4/1929	Sheets .	
2,728,341	12/1955	Ruehr .	
2,851,036	9/1958	Li Pari .	
3,253,592	5/1966	Pechmann .	
3,669,111	6/1972	Dubner .	
3,705,582	12/1972	Stumpf et al. .	
3,766,918	10/1973	Kessel .	
3,834,387	9/1974	Brown .	
4,159,713	7/1979	Prais .	

4,201,209	5/1980	LeVeen et al. .	
4,216,771	8/1980	Arlers et al. .	
4,299,238	11/1981	Baidwan et al. .	
4,333,457	6/1982	Margulies .	
4,453,934	6/1984	Gahwiler et al. .	
5,115,810	5/1992	Lee .	
5,356,385	10/1994	Latini	604/110
5,509,903	4/1996	Grendahl et al.	604/187

Primary Examiner—Pamela Burgess
Attorney, Agent, or Firm—Fish & Richardson P.C.

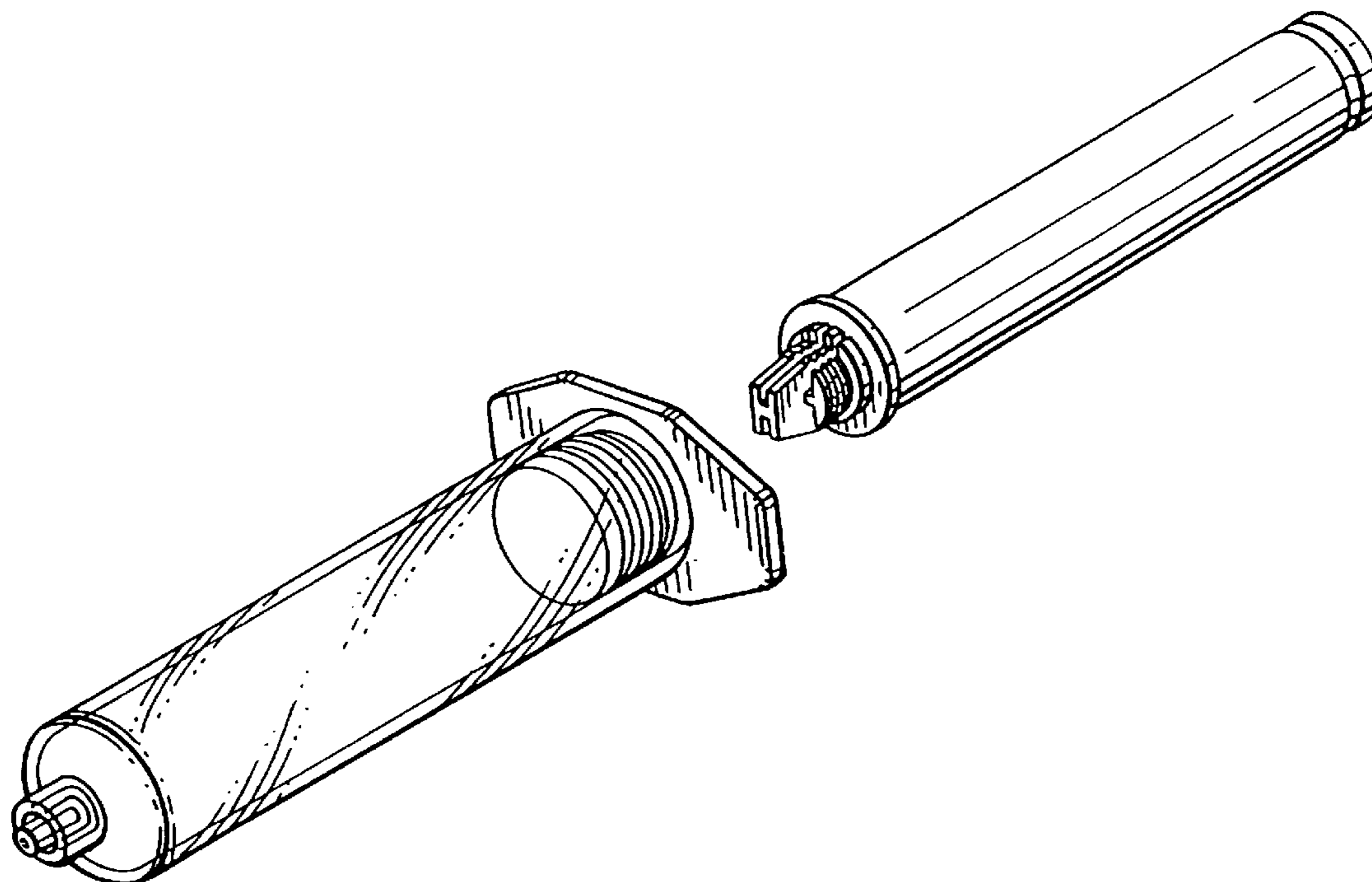
[57] **CLAIM**

The ornamental design for a syringe having a detachable plunger rod, as shown and described.

DESCRIPTION

FIG. 1 is an exploded perspective view of a syringe having a detachable plunger rod showing our new design; FIG. 2 is a side elevational view of the syringe and plunger of FIG. 1; FIG. 3 is a side elevational view of the syringe and plunger when the syringe and plunger are rotated 90° from their position shown in FIG. 2; FIG. 4 is a top plan view of the syringe and plunger; FIG. 5 is a bottom plan view of the syringe and plunger; FIG. 6 is a side elevational view of the plunger rod shown separately for clarity of disclosure; FIG. 7 is a side elevational view thereof, rotated 90° from its position in FIG. 6; FIG. 8 is a top plan view thereof; FIG. 9 is a bottom plan view thereof; and, FIG. 10 is an exploded fragmentary side elevational view of the syringe, plunger, and plunger rod without the plunger rod being inserted in the plunger.

1 Claim, 2 Drawing Sheets



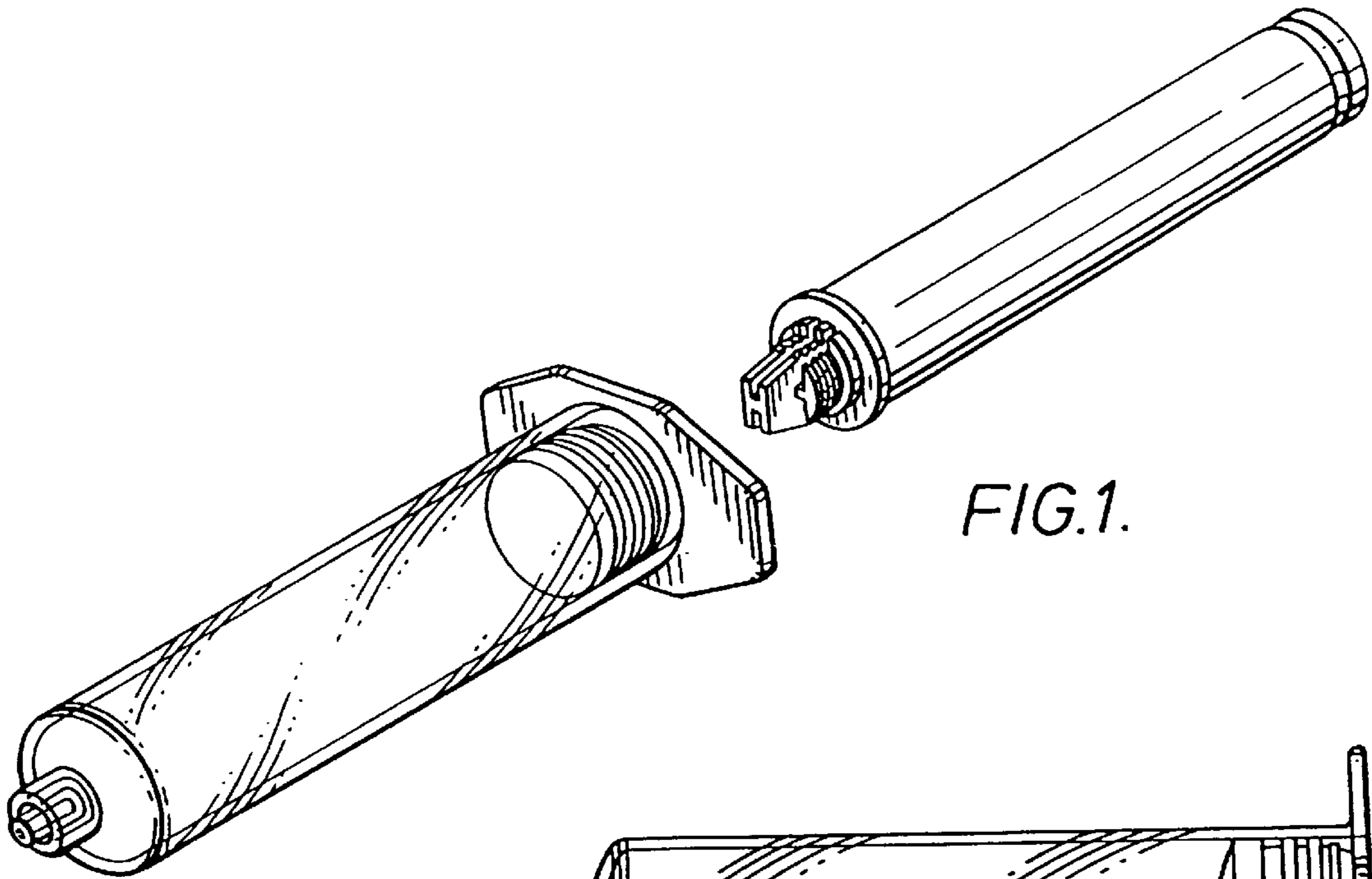


FIG. 1.

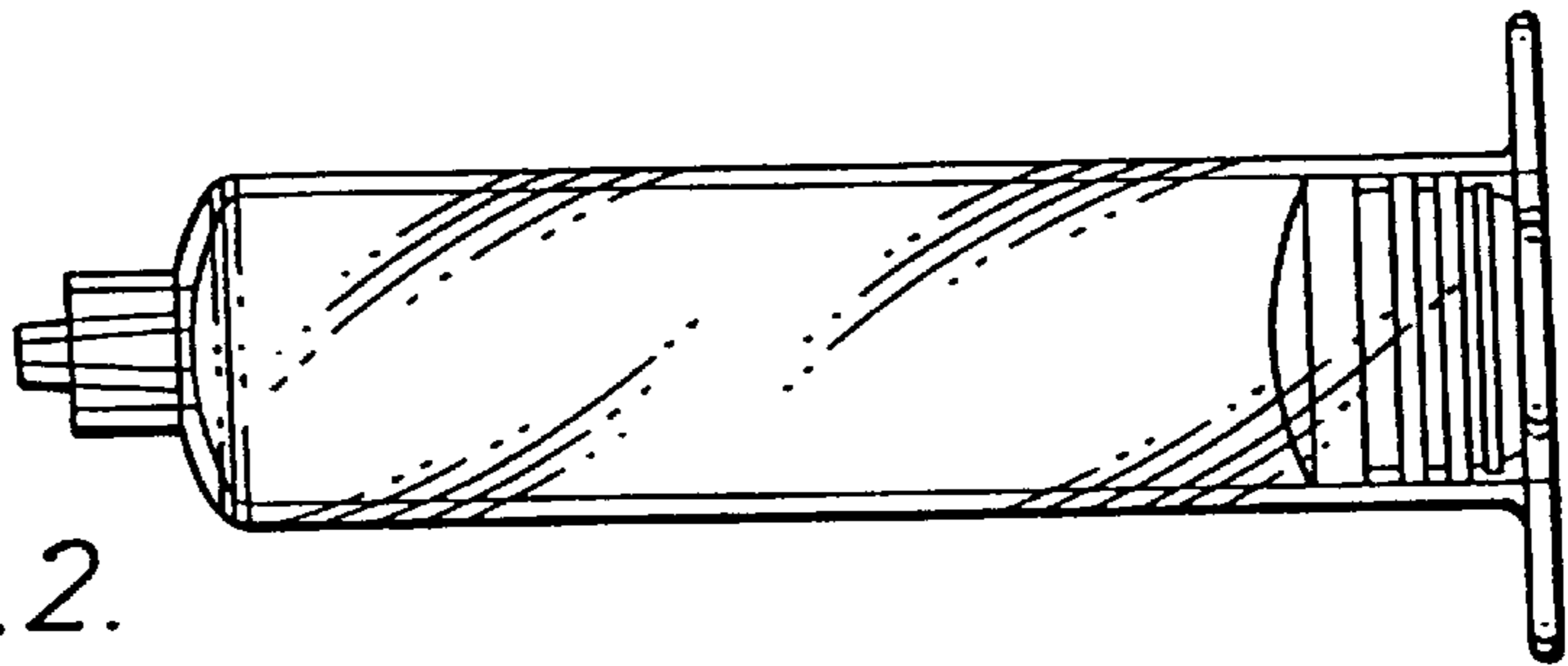


FIG. 2.

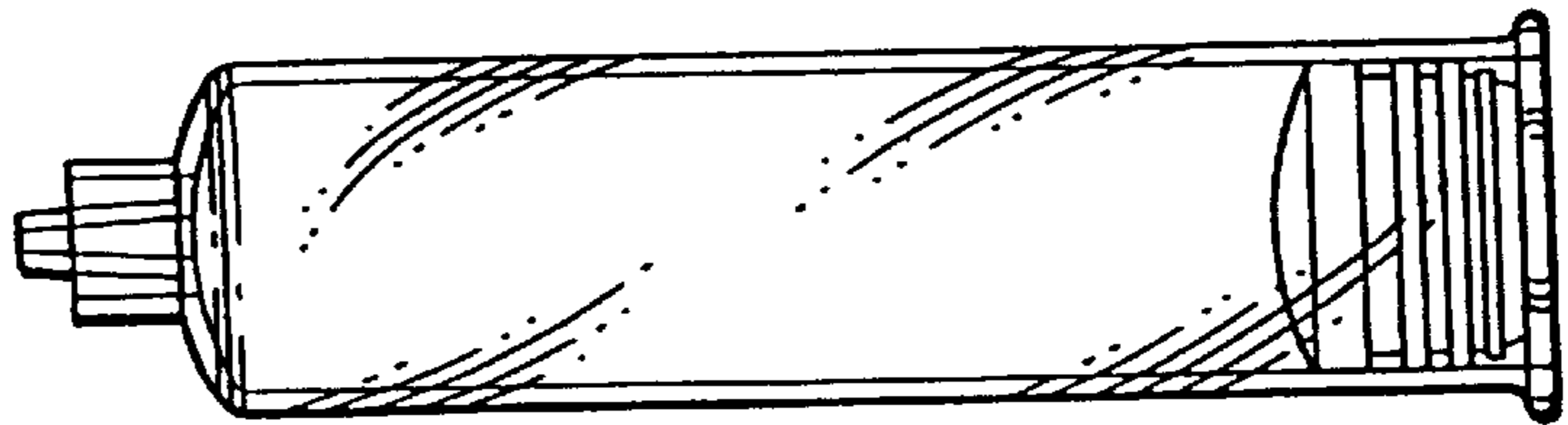


FIG. 3.

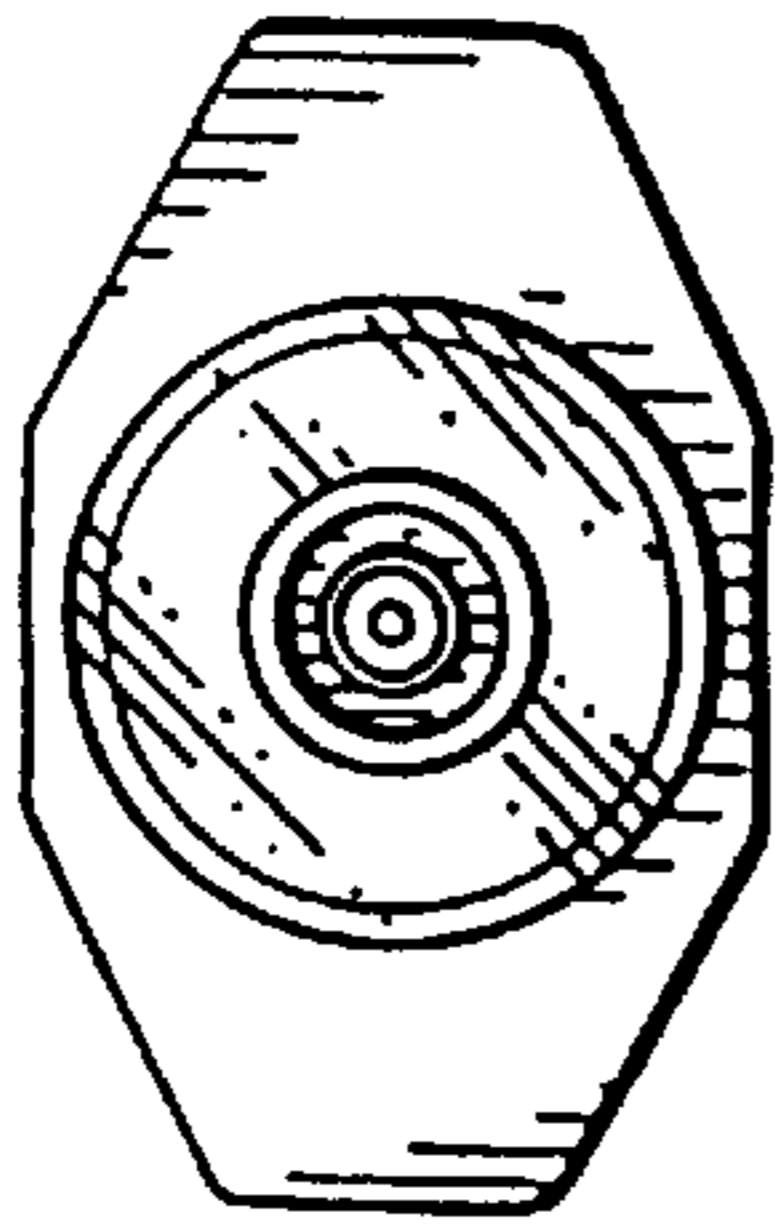


FIG. 4.

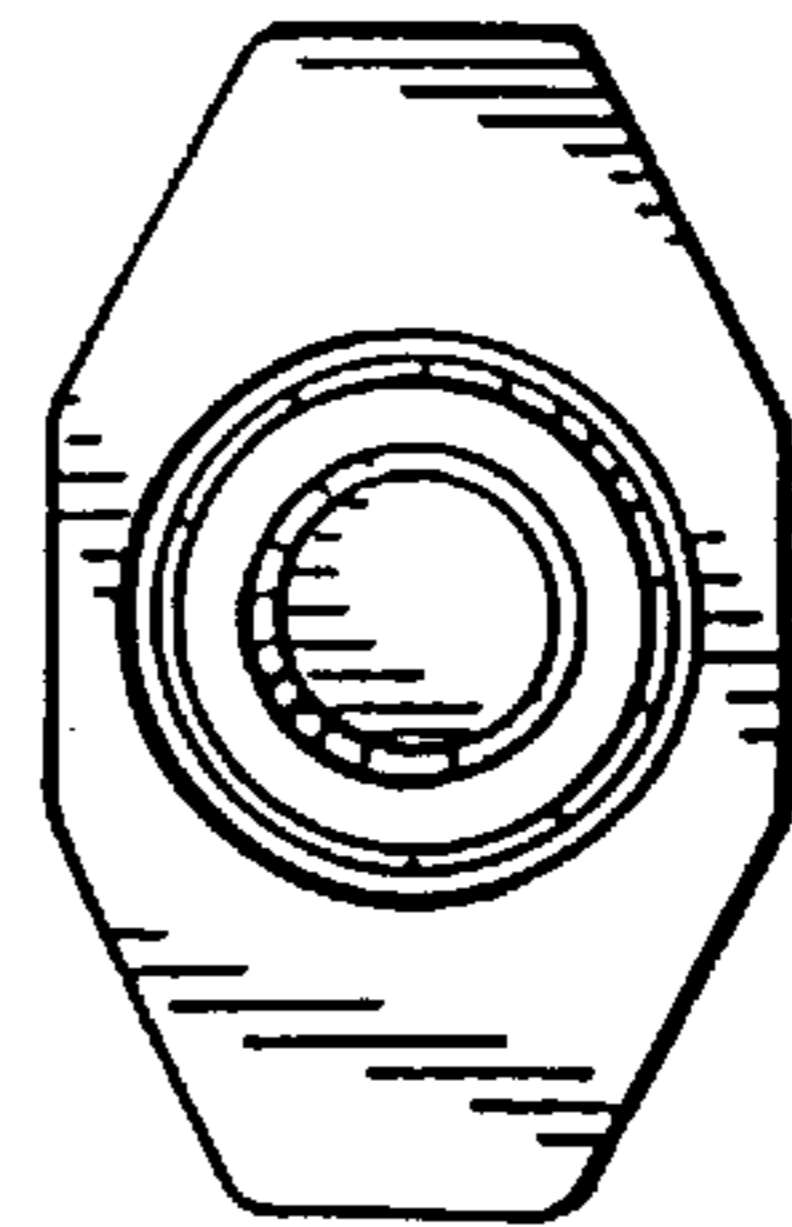


FIG. 5.

