



US00D412204S

**United States Patent** [19]  
**Slothower et al.**

[11] **Patent Number: Des. 412,204**  
[45] **Date of Patent: \*\* Jul. 20, 1999**

[54] **LAVATORY**

[75] Inventors: **Erich D. Slothower; Mary J. Reid; James M. Neiman**, all of Sheboygan, Wis.

[73] Assignee: **Kohler Co.**, Kohler, Wis.

[\*\*] Term: **14 Years**

[21] Appl. No.: **29/086,590**

[22] Filed: **Apr. 16, 1998**

[51] **LOC (6) Cl.** ..... **23-02**

[52] **U.S. Cl.** ..... **D23/284**

[58] **Field of Search** ..... D23/284-293.1;  
4/619, 624, 625, 626, 638-650

[56] **References Cited**

**U.S. PATENT DOCUMENTS**

D. 387,857	12/1997	McKeone	.....	D23/284
D. 389,901	1/1998	Kohler, Jr. et al.	.....	D23/284
D. 393,057	3/1998	Gardner et al.	.....	D23/284
D. 393,699	4/1998	Bonnell	.....	D23/284

**OTHER PUBLICATIONS**

1995 Kohler catalog ad, pp. 13-15, showing "Lady Vanity" lavatory.

1992 INAX ad showing a "L-27" lavatory.

*Primary Examiner*—Louis S. Zarfaz

*Assistant Examiner*—Eric Watterson

*Attorney, Agent, or Firm*—Quarles & Brady LLP

[57] **CLAIM**

The ornamental design for a lavatory, as shown and described.

**DESCRIPTION**

FIG. 1 is a left, top, front perspective view of a lavatory embodying our new design;

FIG. 2 is a top plan view thereof;

FIG. 3 is a front elevational view thereof, the rear elevational view being identical to the front side shown;

FIG. 4 is a right side elevational view thereof, the left side elevational view being identical to the right side shown;

FIG. 5 is a bottom plan view thereof;

FIG. 6 is a cross-sectional view thereof taken along line 6-6 of FIG. 2;

FIG. 7 is a cross-sectional view thereof taken along line 7-7 of FIG. 2;

FIG. 8 is a top plan view of a second embodiment which is a mirror image of that shown in FIG. 2, the front and rear elevational views being identical to that shown in FIG. 3, the right and left side elevational views being identical to that shown in FIG. 4, and the bottom plan view being a mirror image of that shown in FIG. 5;

FIG. 9 is a top plan view of a third embodiment, the front and rear elevational views being identical to that shown in FIG. 3, the right and left side elevational views being identical to that shown in FIG. 4, and the cross-sectional view taken along line 7-7 being identical to that shown in FIG. 7;

FIG. 10 is a cross-sectional view thereof taken along line 10-10 of FIG. 9;

FIG. 11 is a top plan view of a fourth embodiment which is a mirror image of that shown in FIG. 9, the front and rear elevational views being identical to that shown in FIG. 3, and the right and left side elevational views being identical to that shown in FIG. 4;

FIG. 12 is a top plan view of a fifth embodiment, the front and rear elevational views being identical to that shown in FIG. 3, the right and left side elevational views being identical to that shown in FIG. 4, and the cross-sectional view taken along line 10-10 being identical to that shown in FIG. 10;

FIG. 13 is a cross-sectional view thereof taken along line 13-13 of FIG. 12;

FIG. 14 is a top plan view of a sixth embodiment which is a mirror image of that shown in FIG. 12, the front and rear elevational views being identical to that shown in FIG. 3, and the right and left side elevational views being identical to that shown in FIG. 4;

FIG. 15 is a top plan view of a seventh embodiment, the front and rear elevational views being identical to that shown in FIG. 3, the right and left side elevational views being identical to that shown in FIG. 4, the cross-sectional view taken along line 6-6 being identical to that shown in FIG. 6, and the cross-sectional view taken along line 13-13 being identical to that shown in FIG. 13; and,

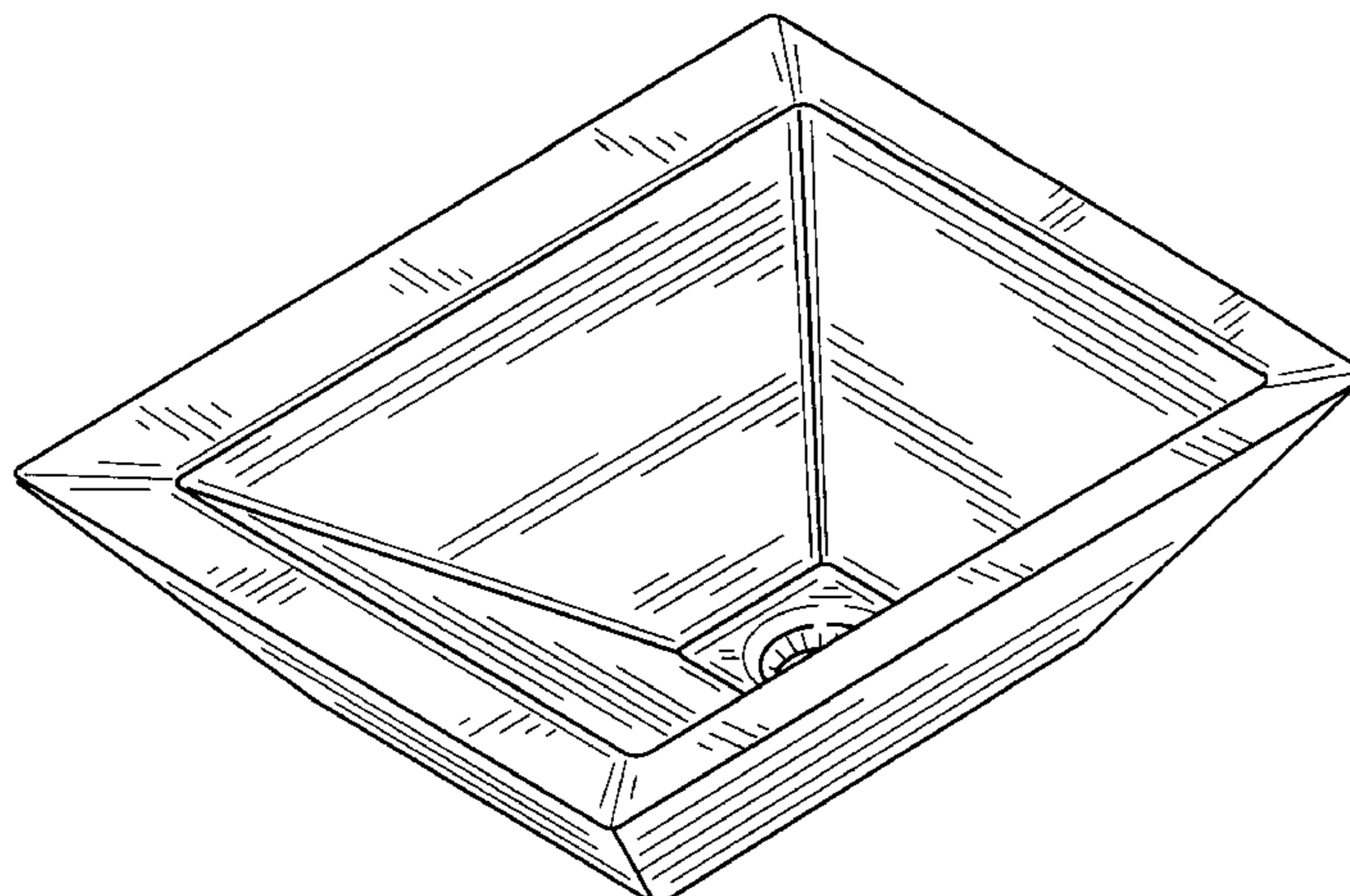


FIG. 16 is a top plan view of an eighth embodiment which is a mirror image of that shown in FIG. 15, the front and rear elevational views being identical to that shown in FIG. 3, and the right and left side elevational views being identical to that shown in FIG. 4.

The broken line representations of mounting holes in FIG. 5 are for the purpose of illustration only, and form no part of the claimed design.

**1 Claim, 6 Drawing Sheets**

FIG. 1

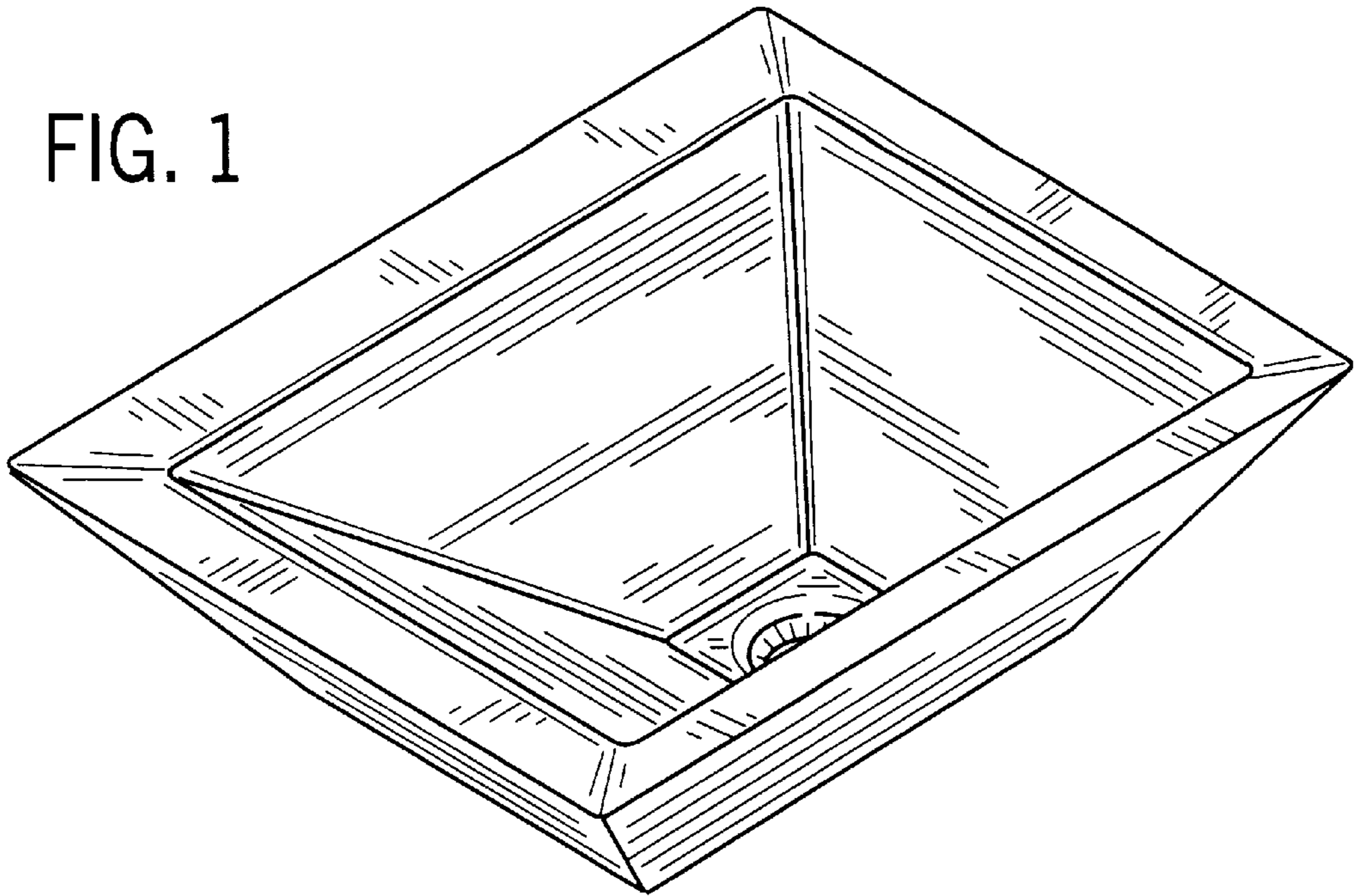


FIG. 2

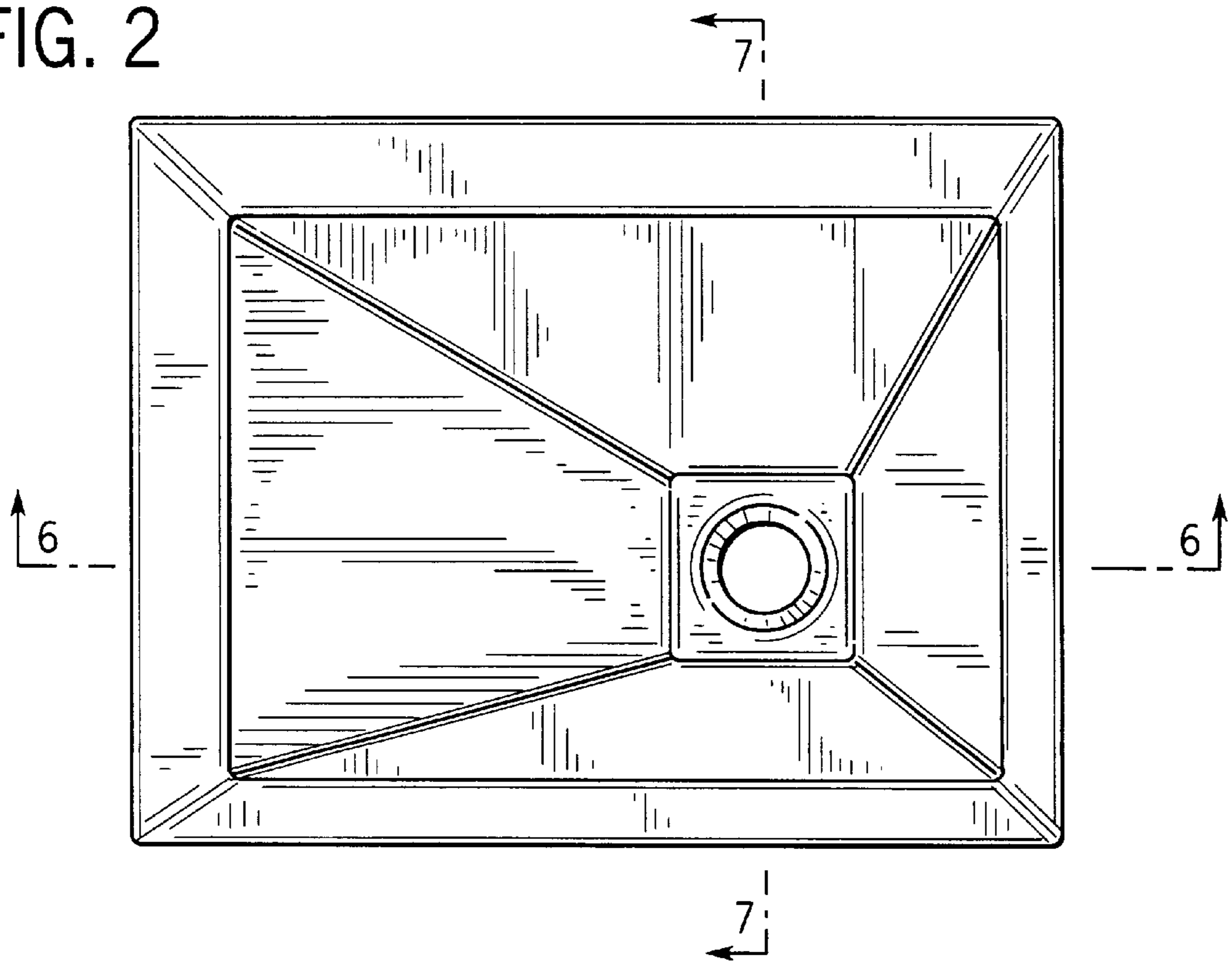


FIG. 3

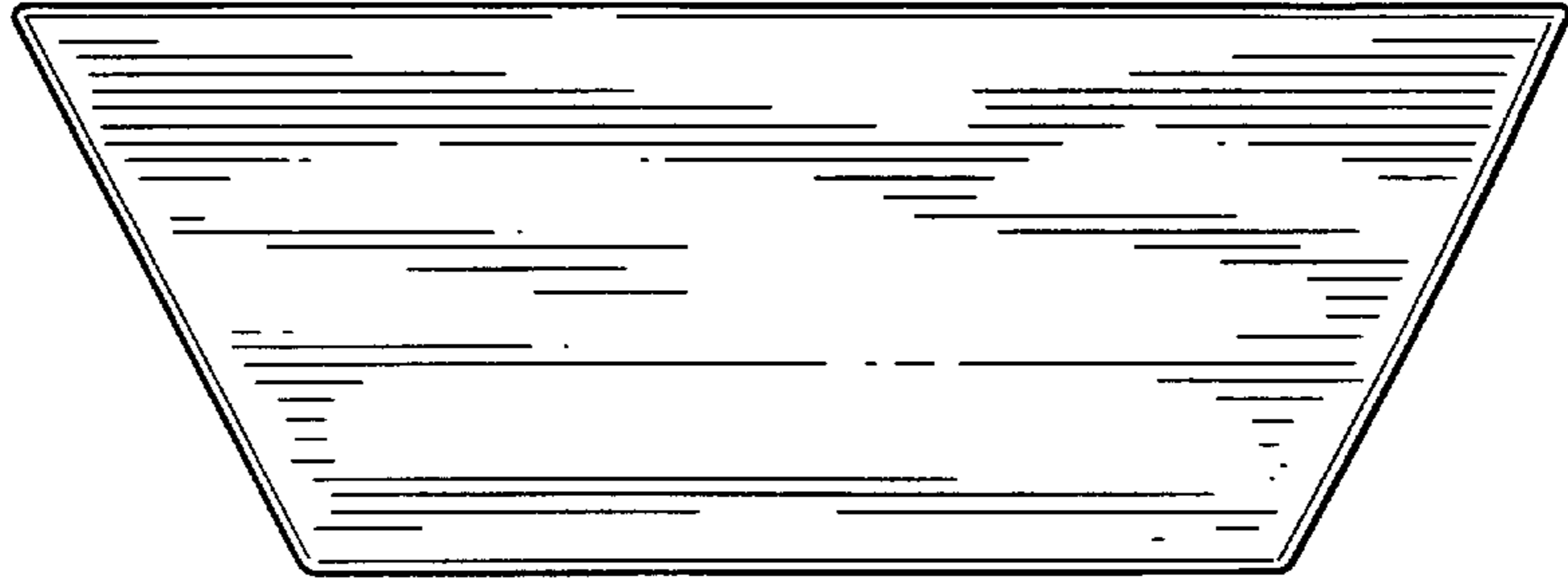


FIG. 4

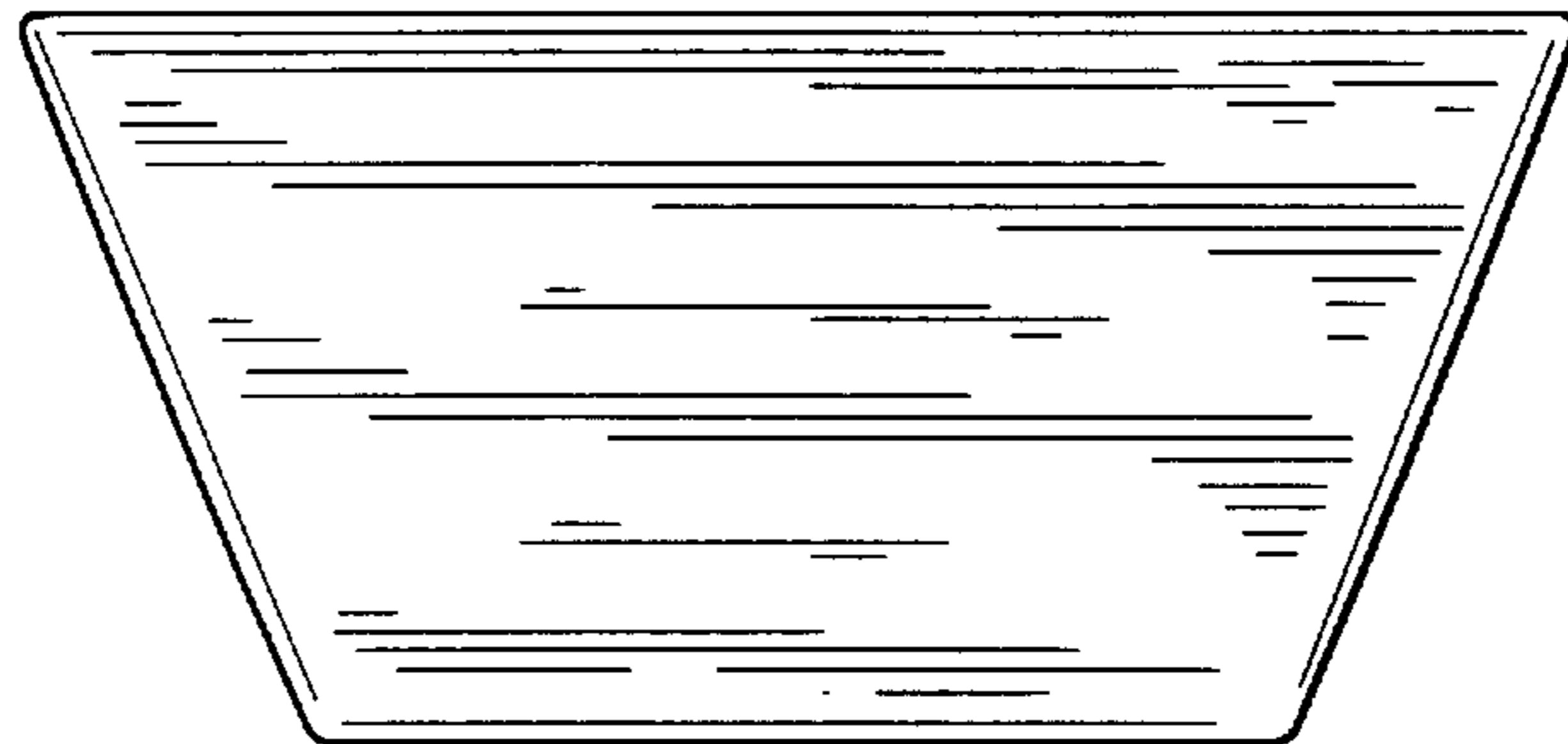


FIG. 5

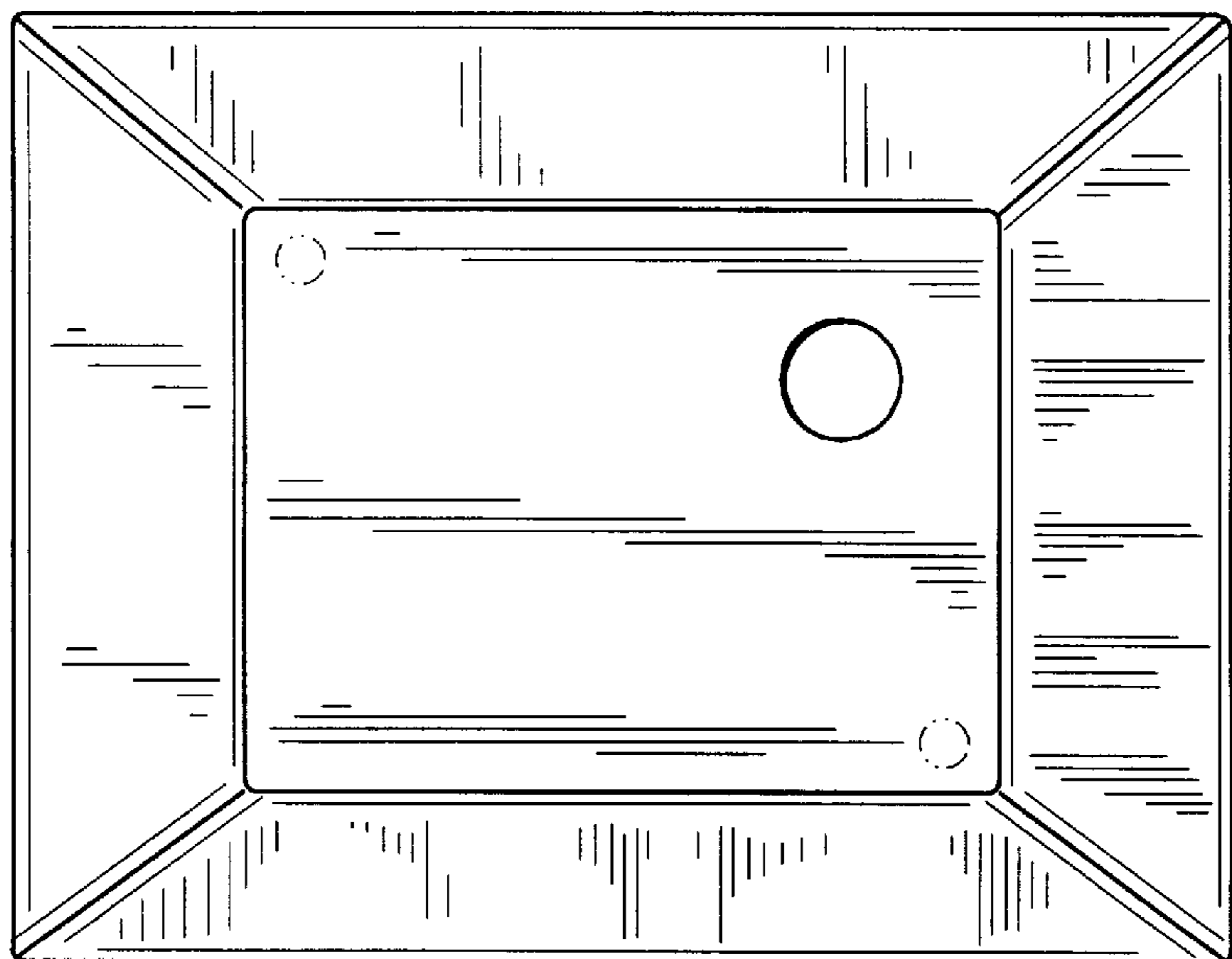


FIG. 6

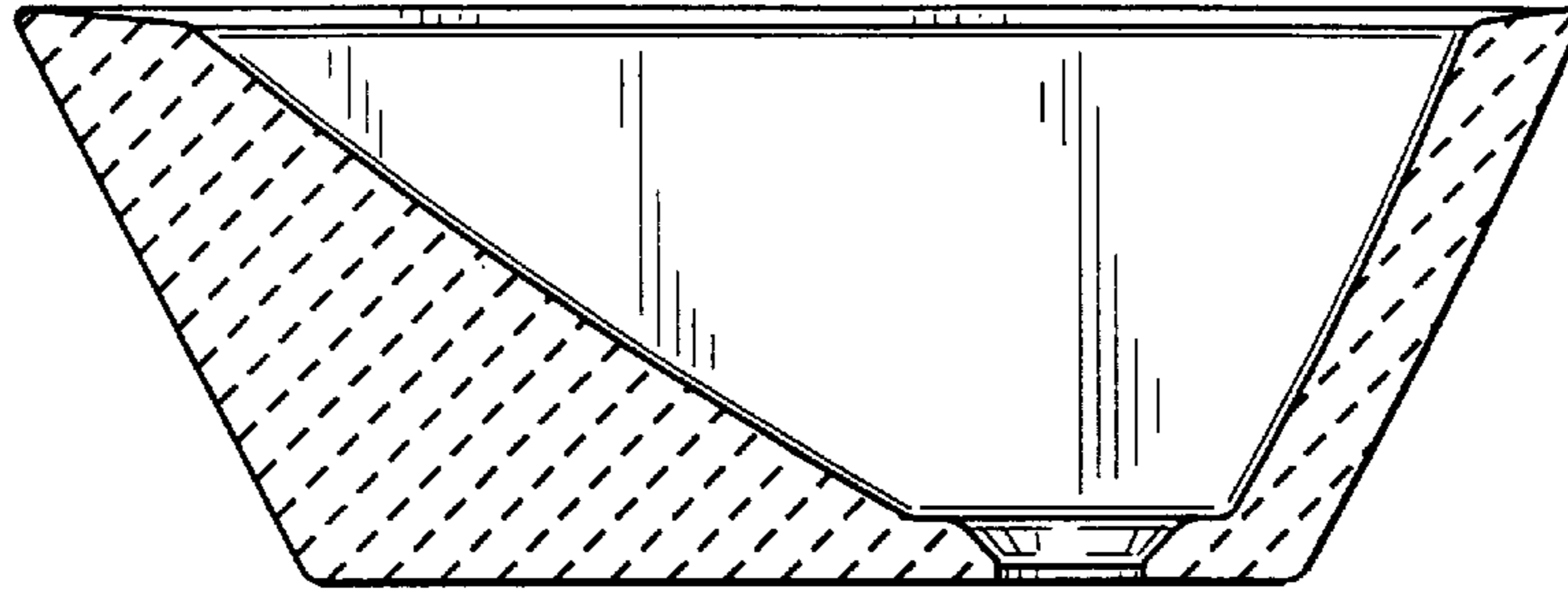


FIG. 7

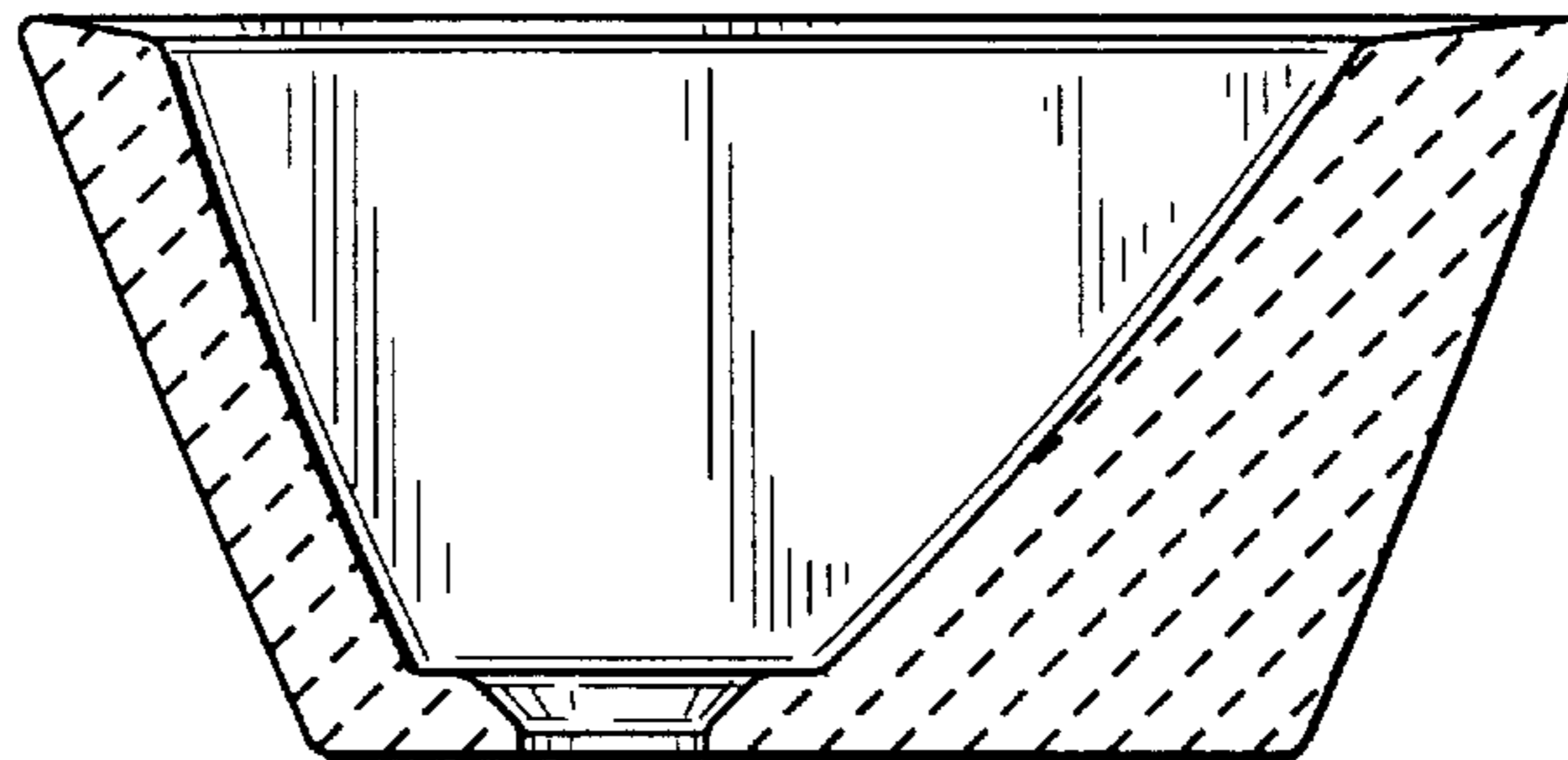
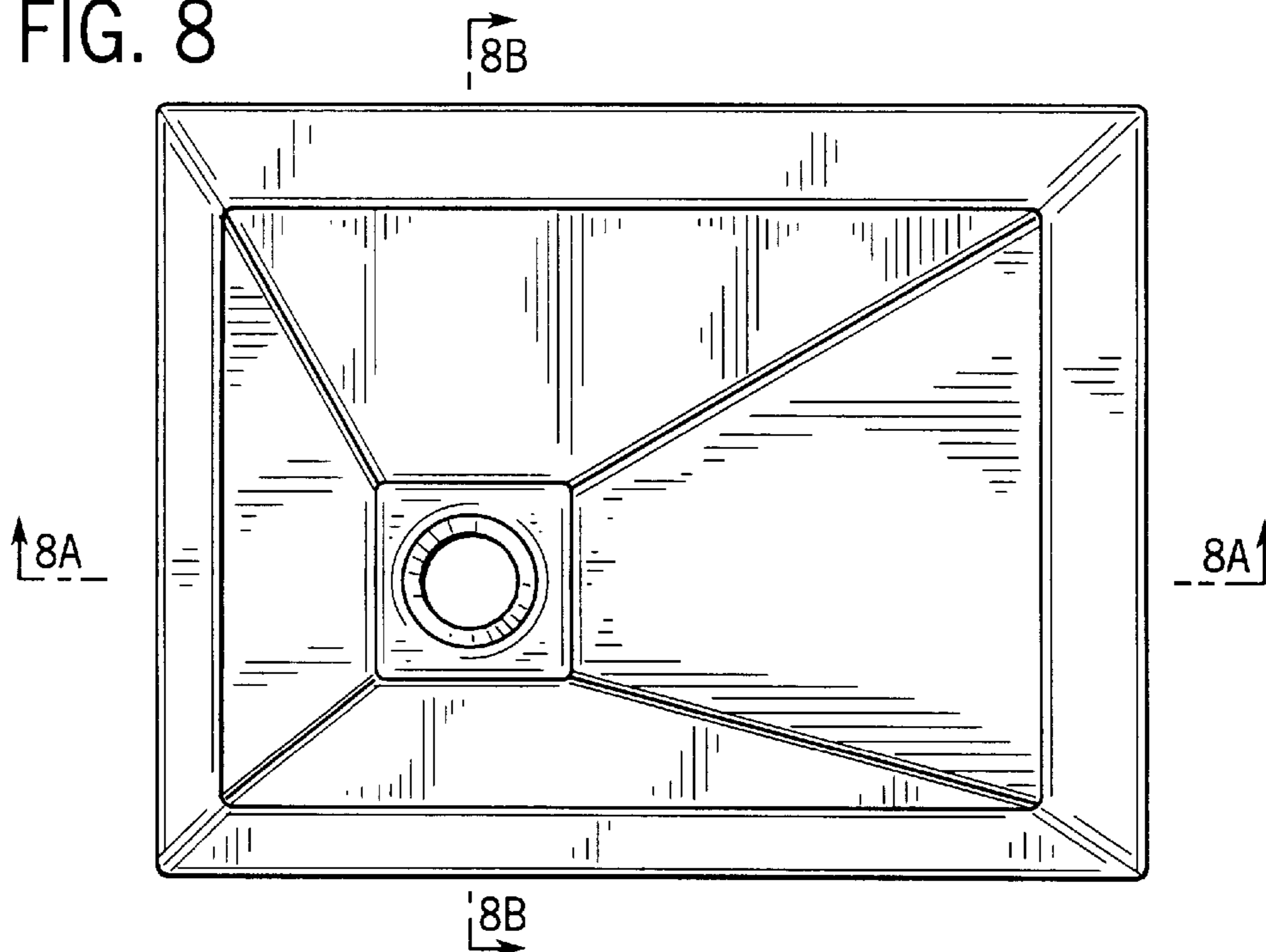


FIG. 8



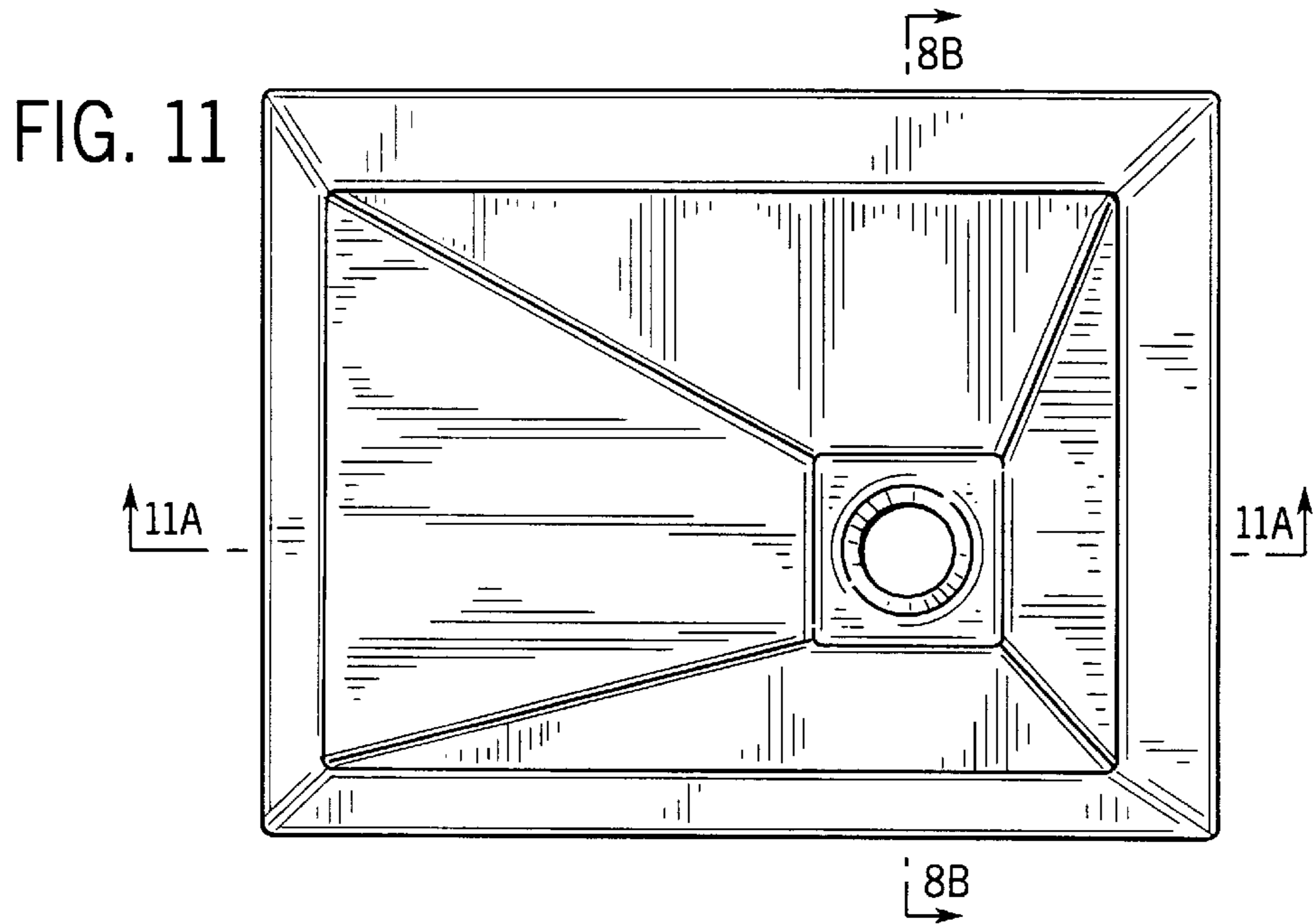
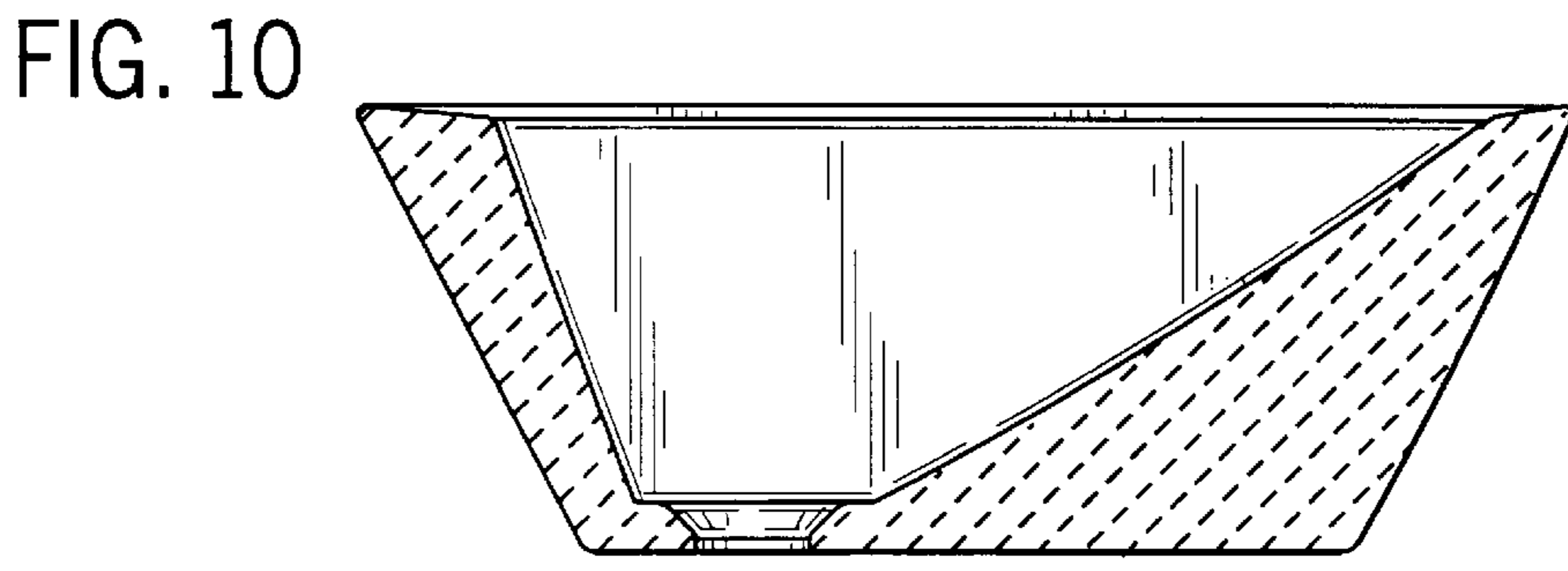
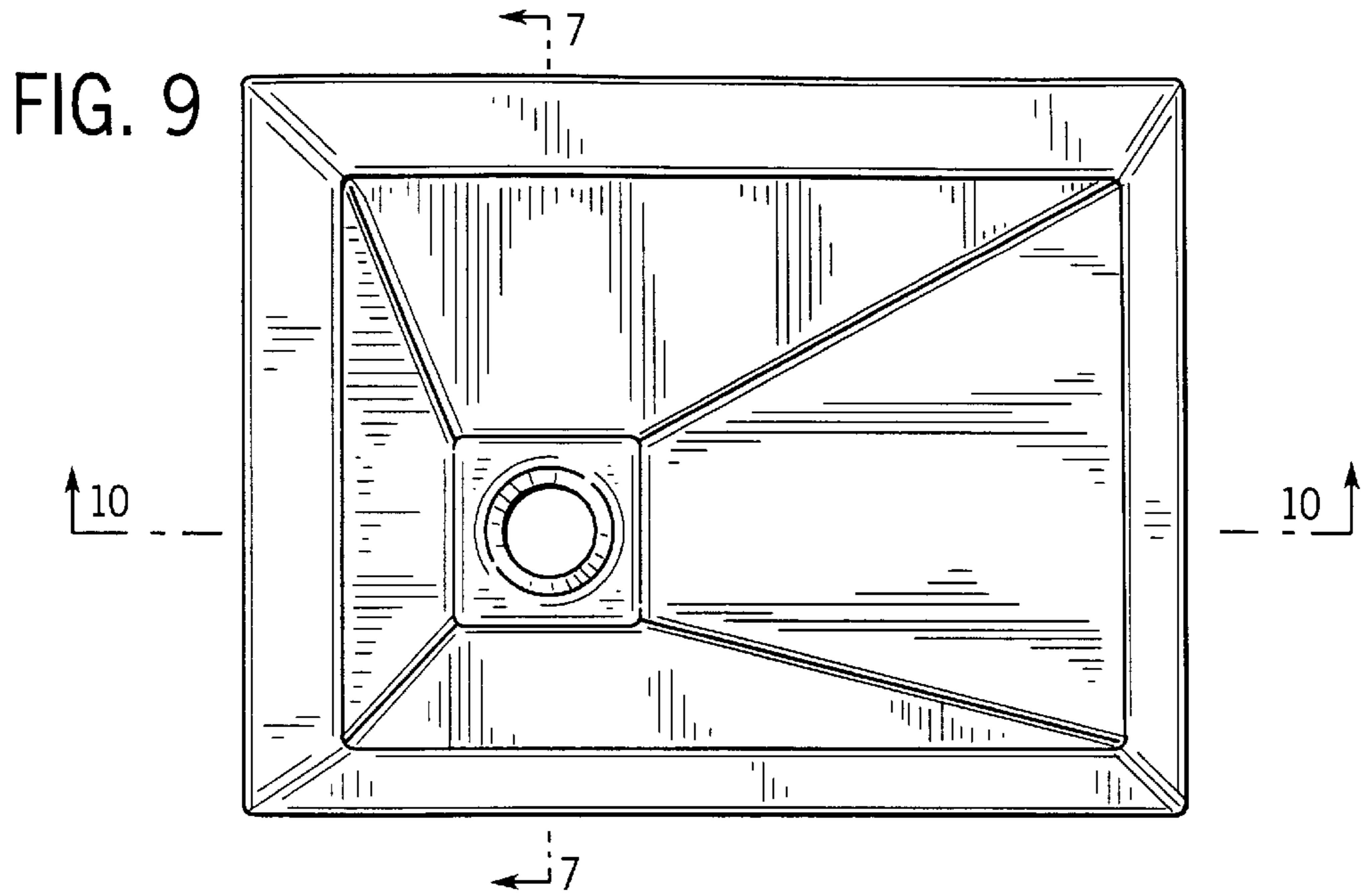


FIG. 12

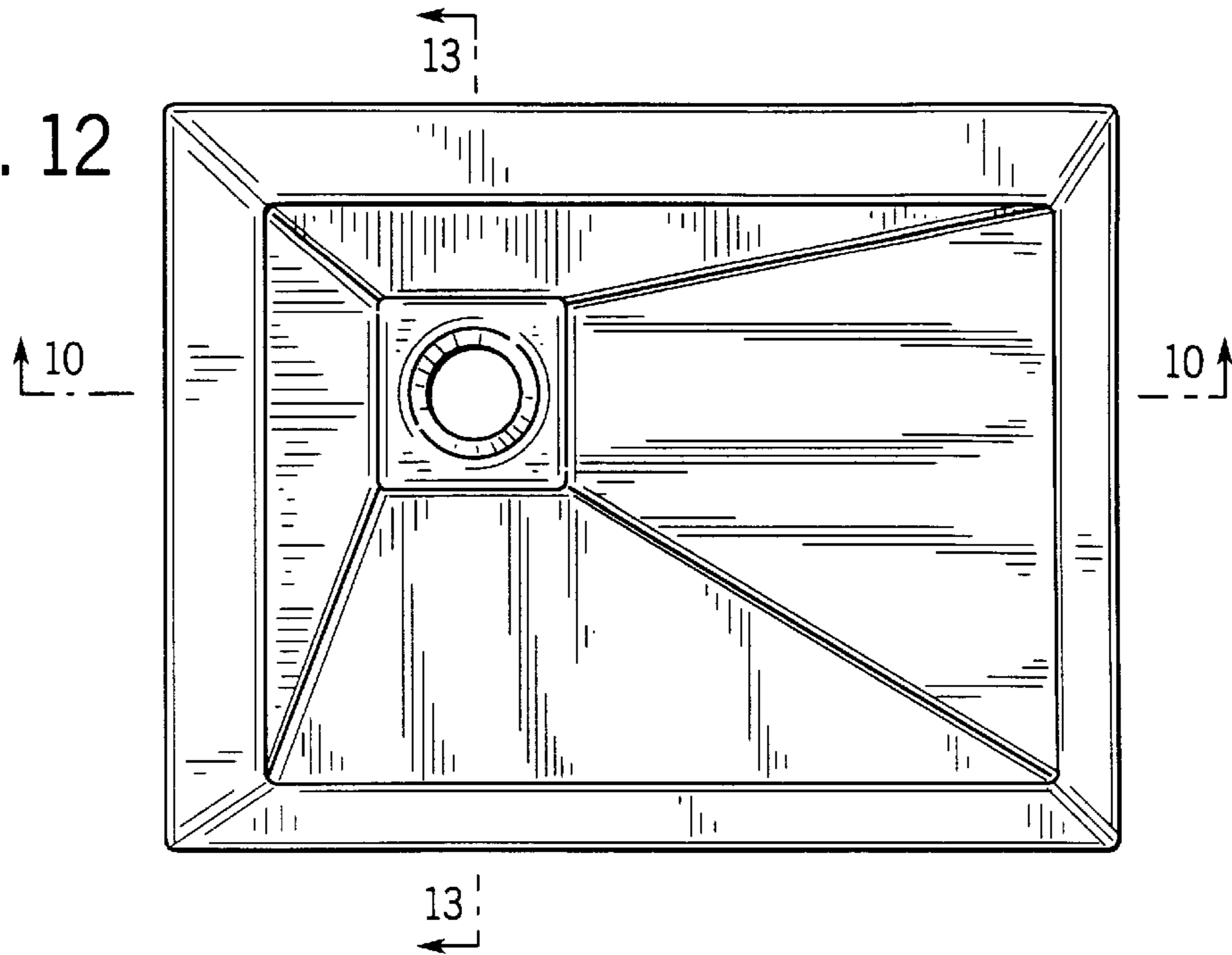


FIG. 13

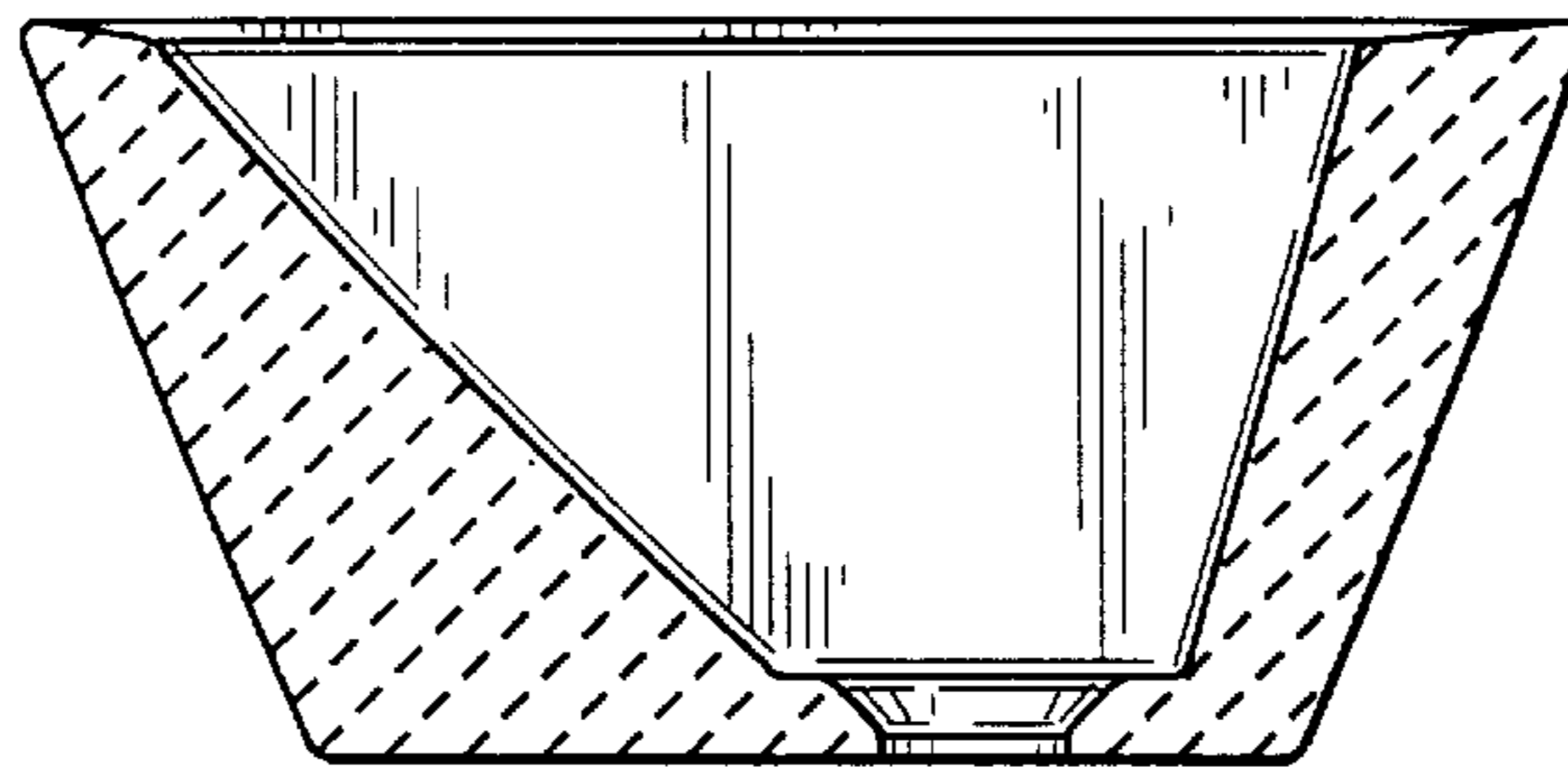


FIG. 14

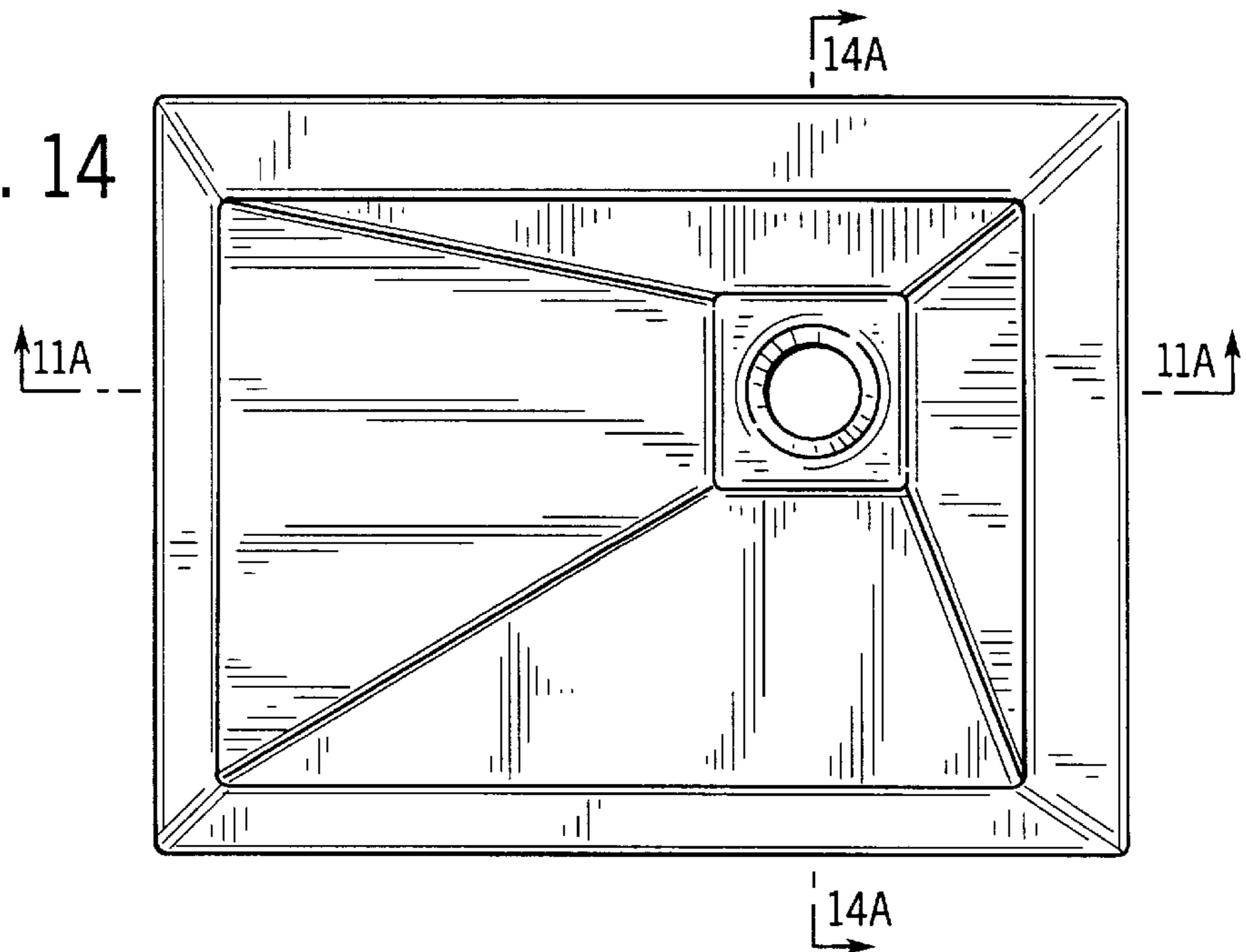


FIG. 15

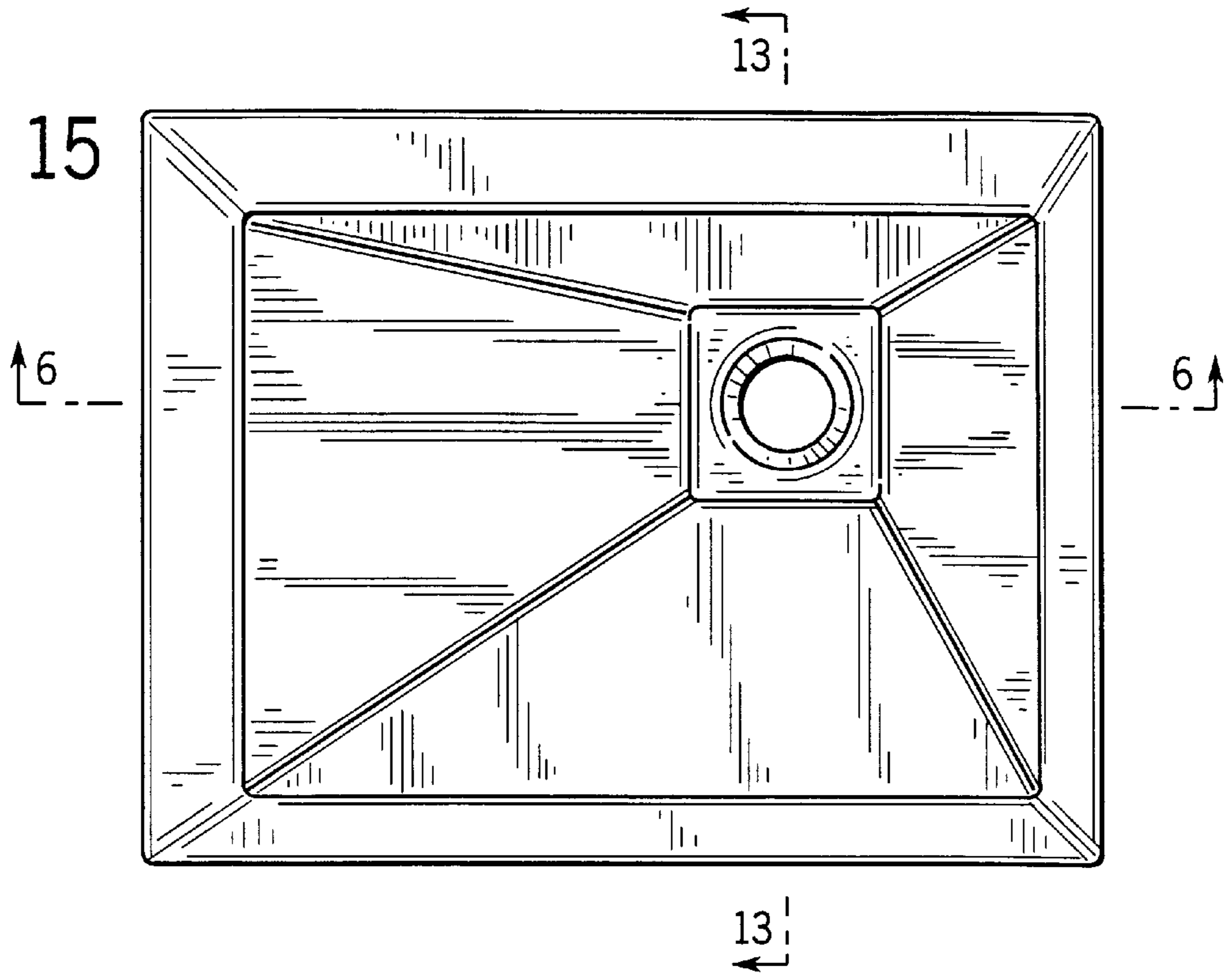
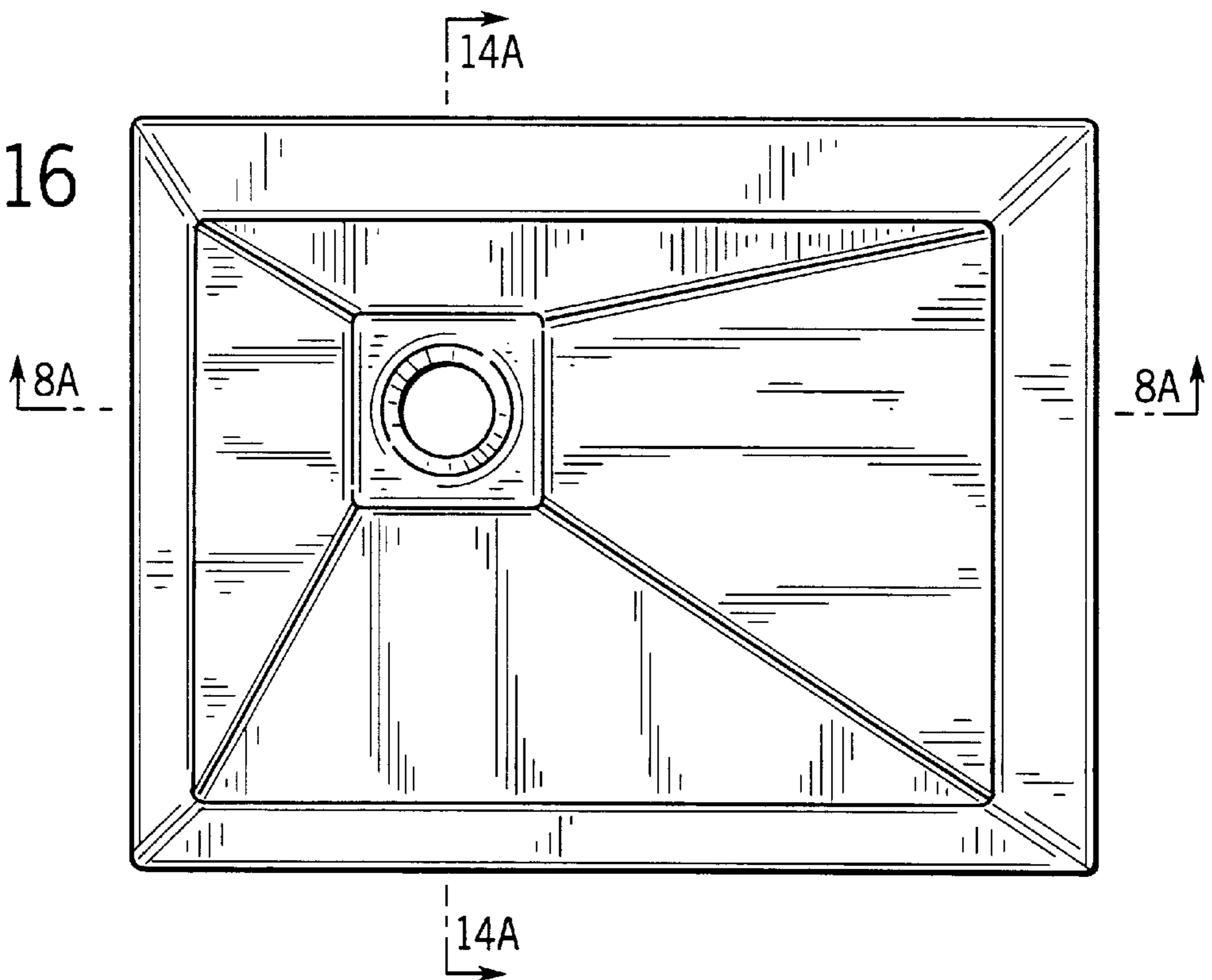


FIG. 16





UNITED STATES PATENT AND TRADEMARK OFFICE  
**CERTIFICATE OF CORRECTION**

PATENT NO. : Des. 412,204

Page 1 of 5

DATED : July 20, 1999

INVENTOR(S) : Erich D. Slothower, et al.

It is certified that error appears in the above-identified patent and that said Letters Patent is hereby corrected as shown below:

IN THE DRAWINGS:

Delete cross-sectional lines 8A-8A and 8B-8B in Fig. 8.


Delete cross-sectional lines 8B-8B and 11A-11A in Fig. 11.

Delete cross-sectional lines 11A-11A and 14A-14A in Fig. 14.

Delete cross-sectional lines 8A-8A and 14A-14A in Fig. 16.

Signed and Sealed this  
First Day of August, 2000

Attest:



Q. TODD DICKINSON

Attesting Officer

Director of Patents and Trademarks

FIG. 6

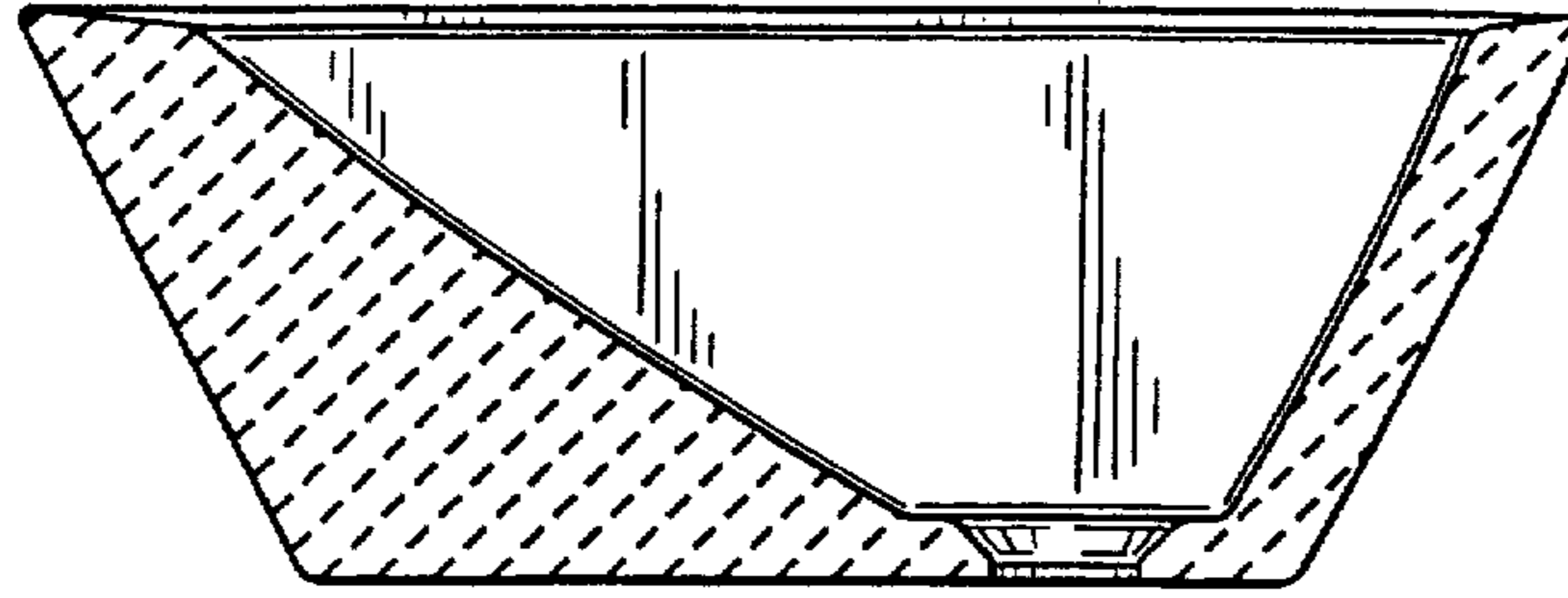


FIG. 7

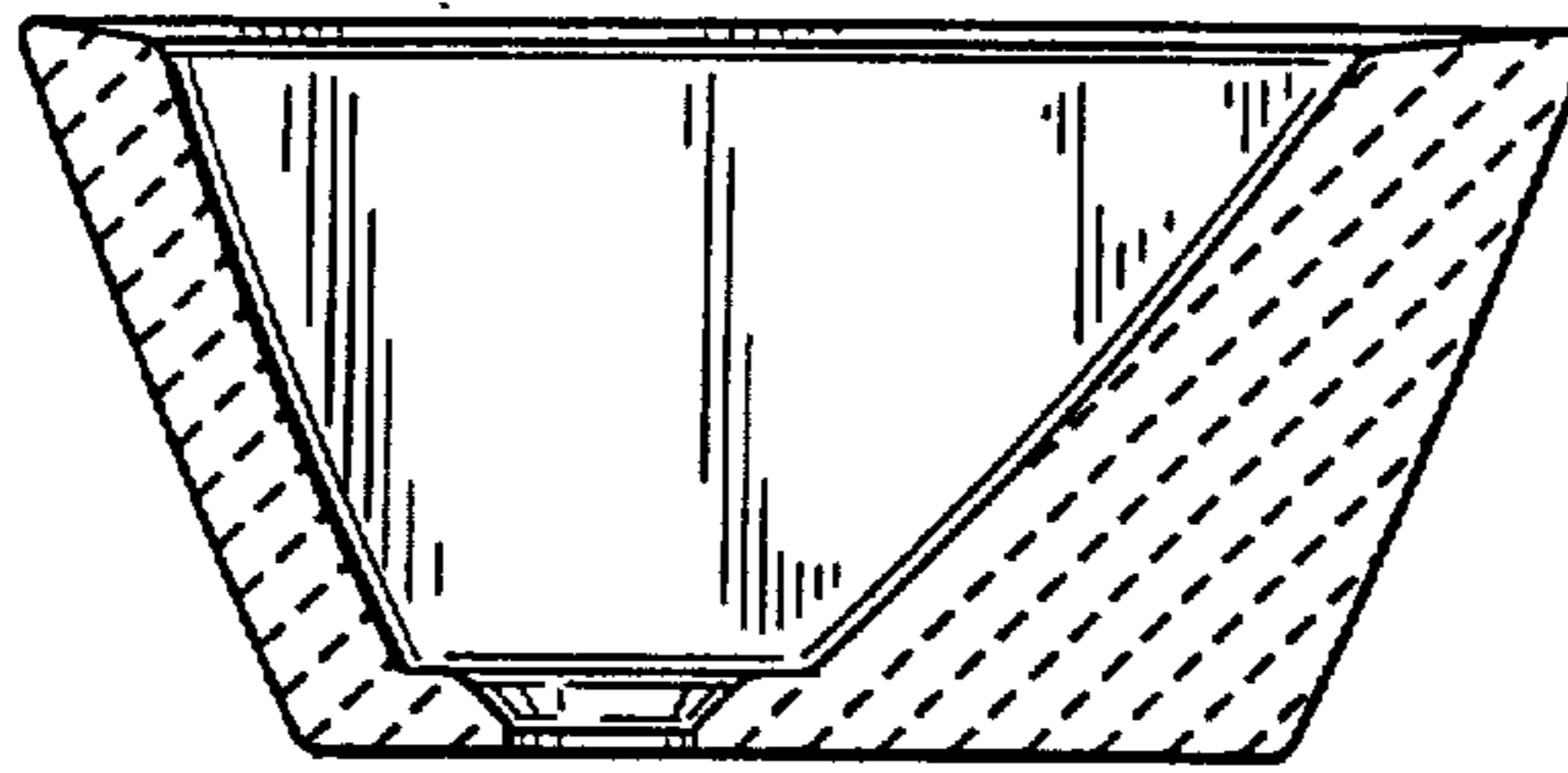


FIG. 8

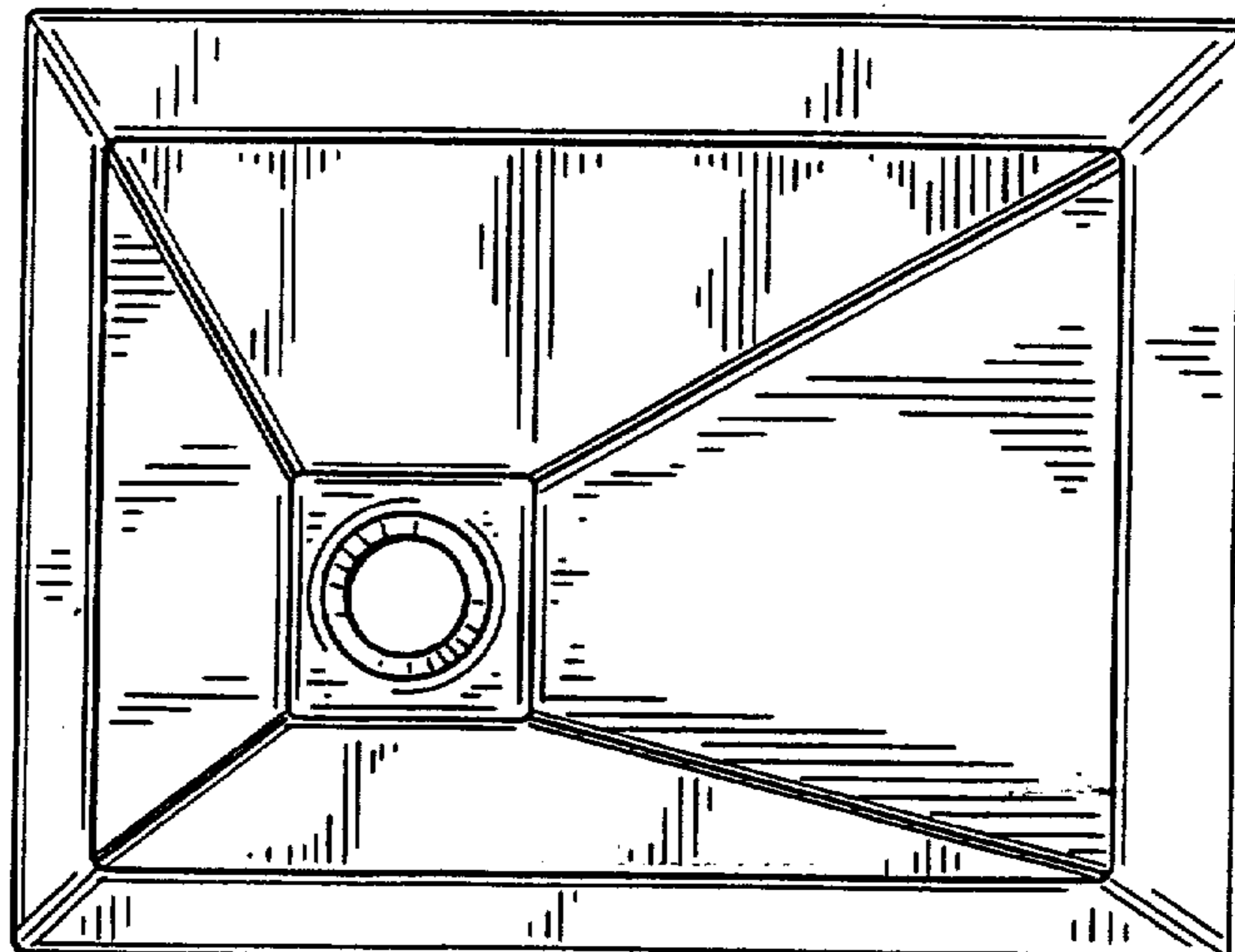


FIG. 9

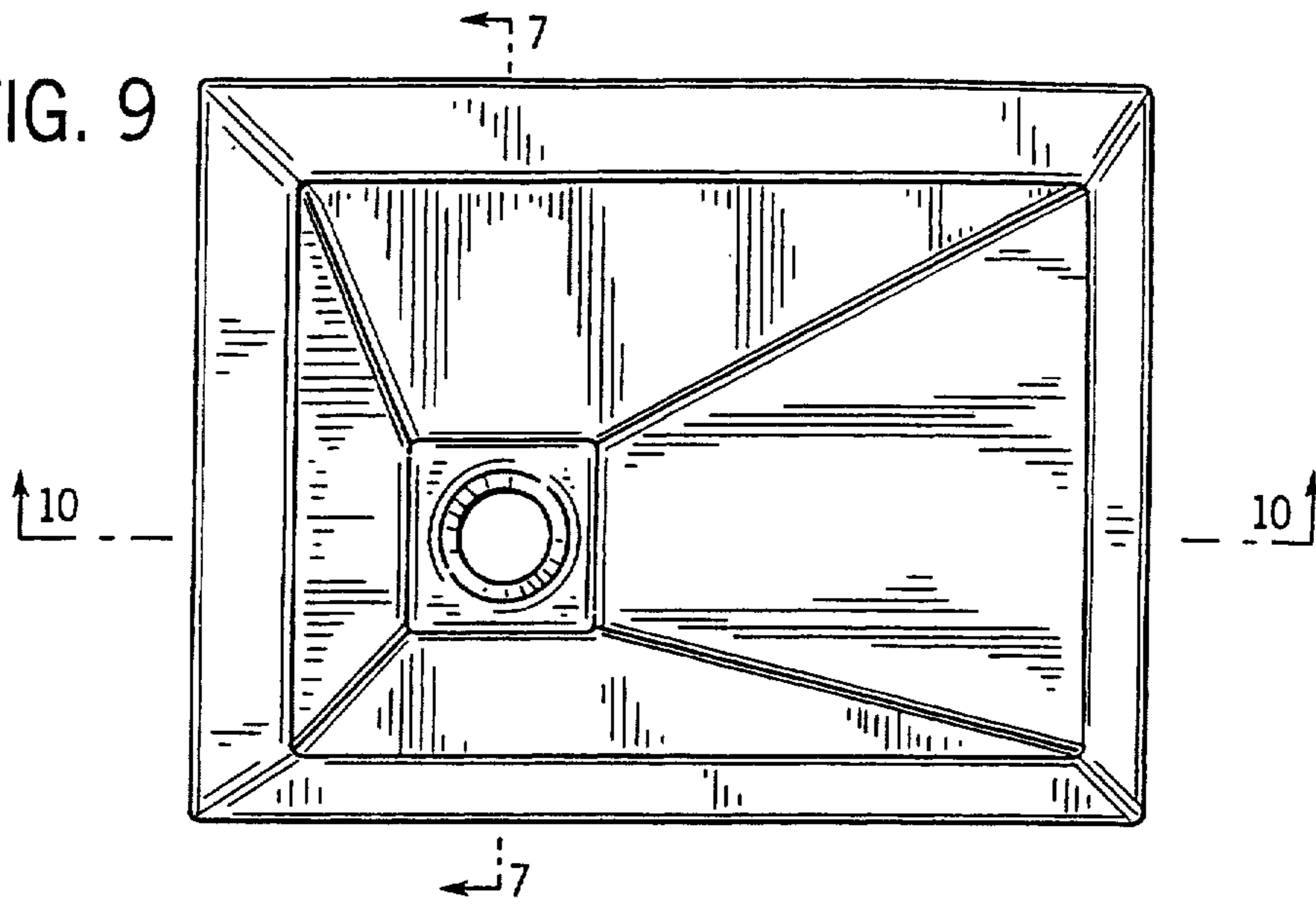


FIG. 10

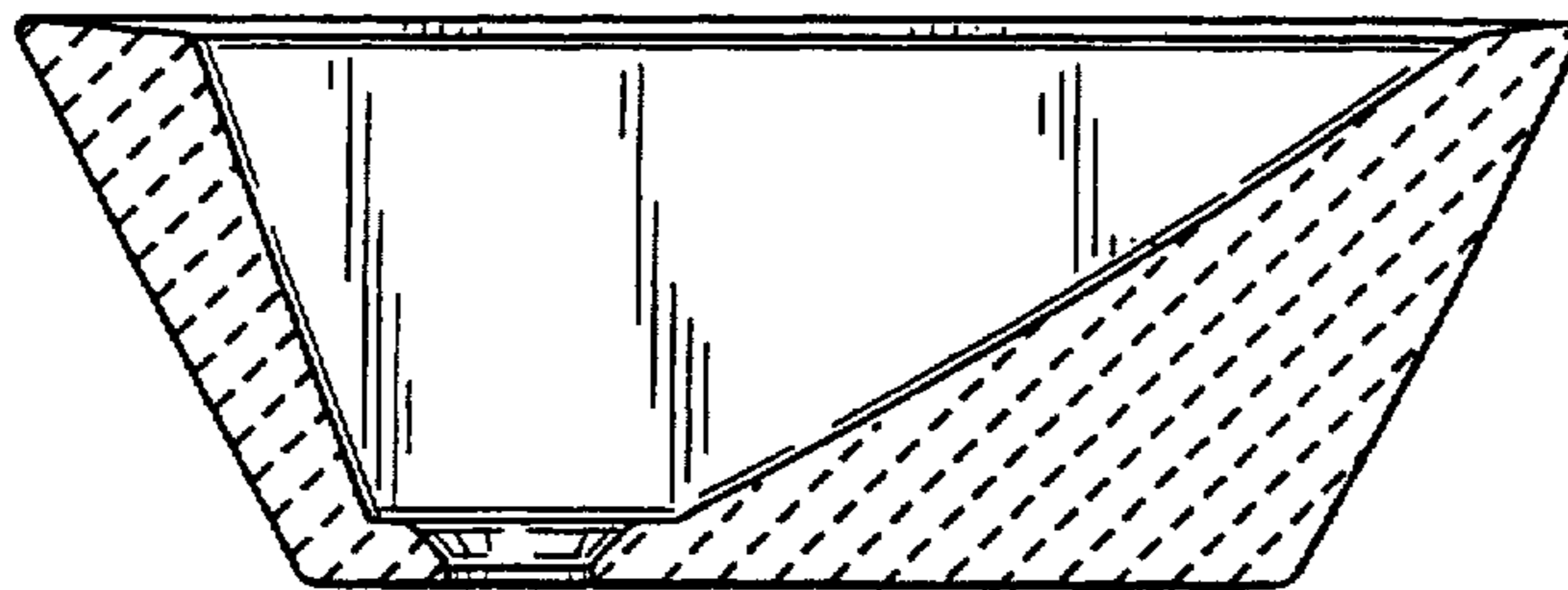


FIG. 11

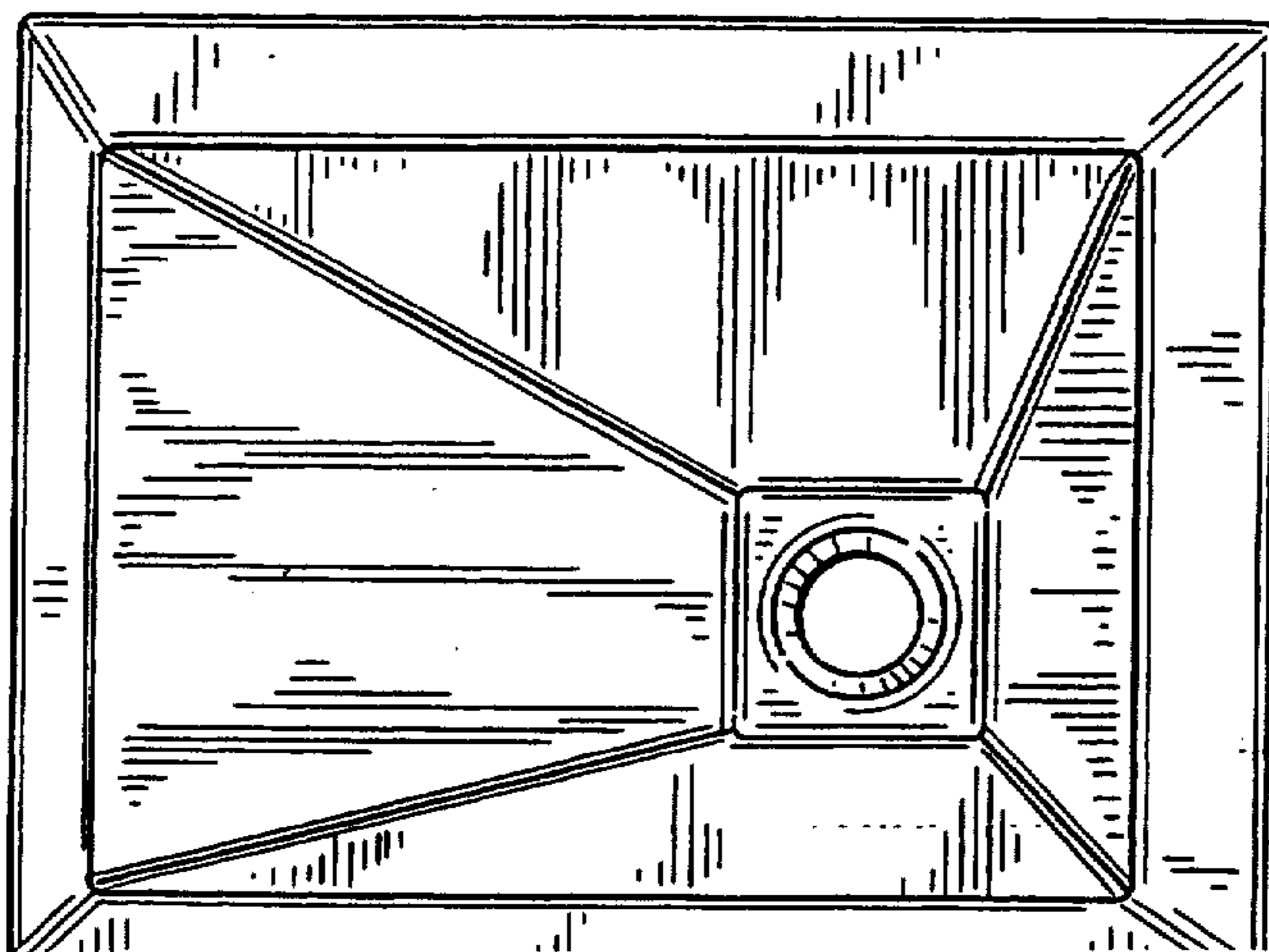


FIG. 12

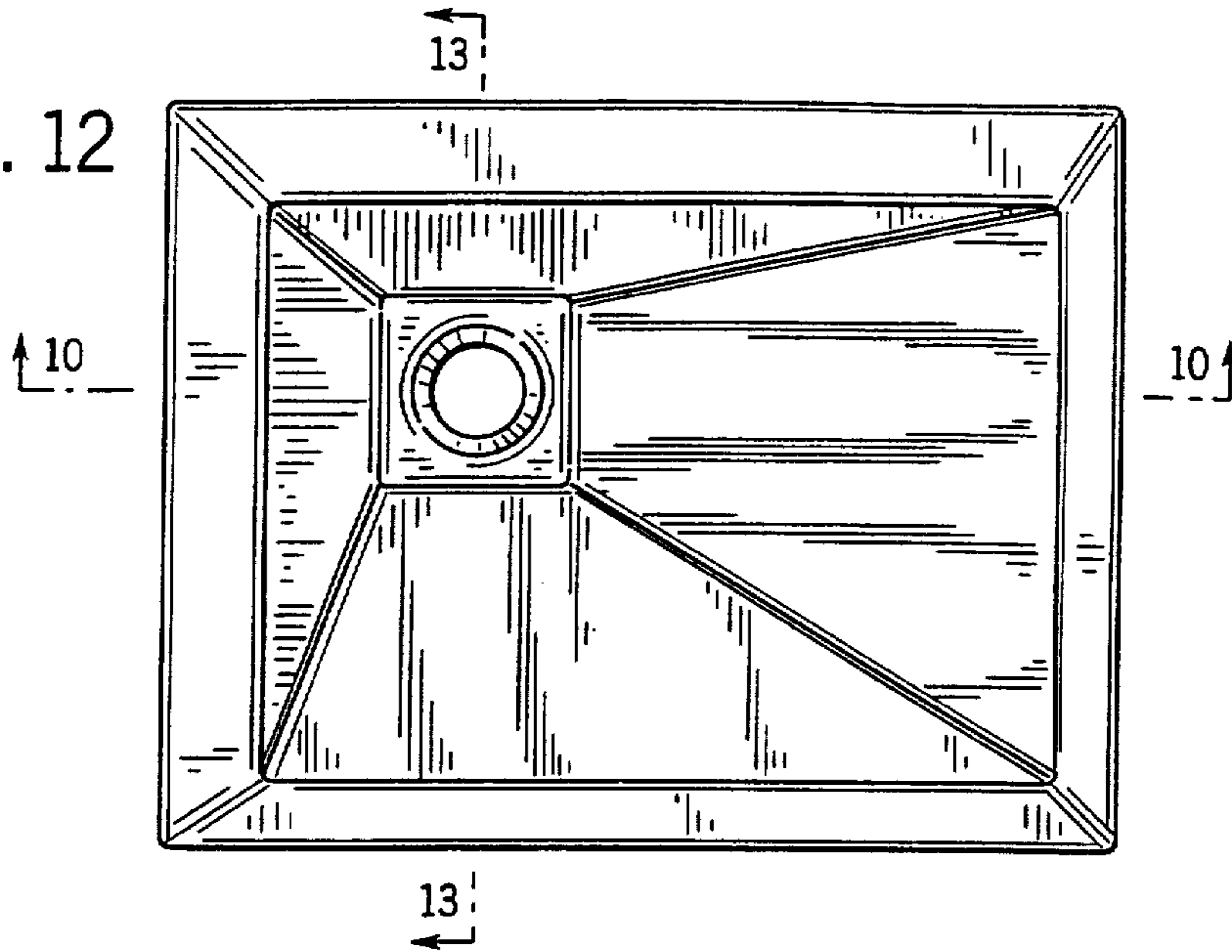


FIG. 13

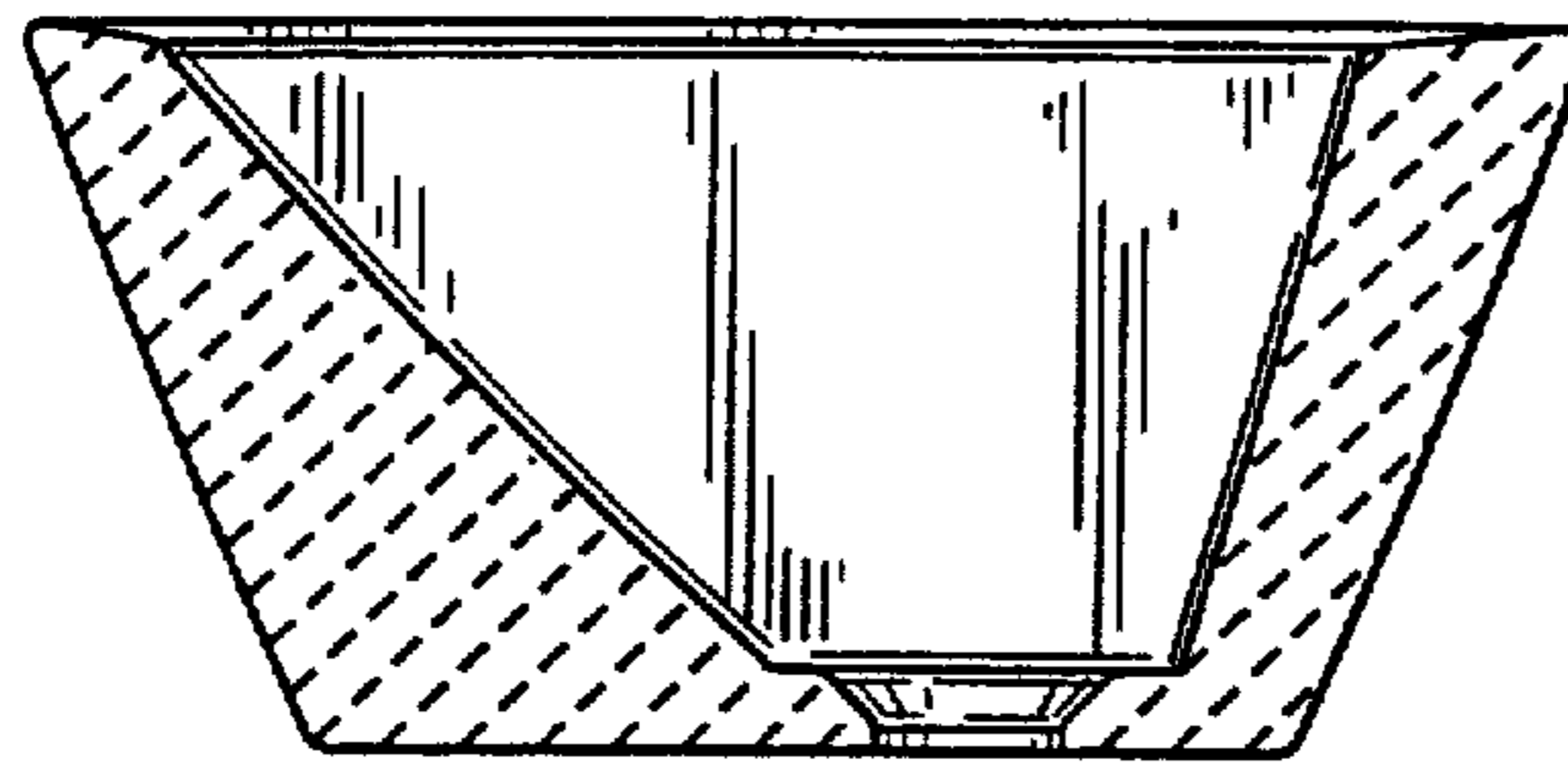


FIG. 14

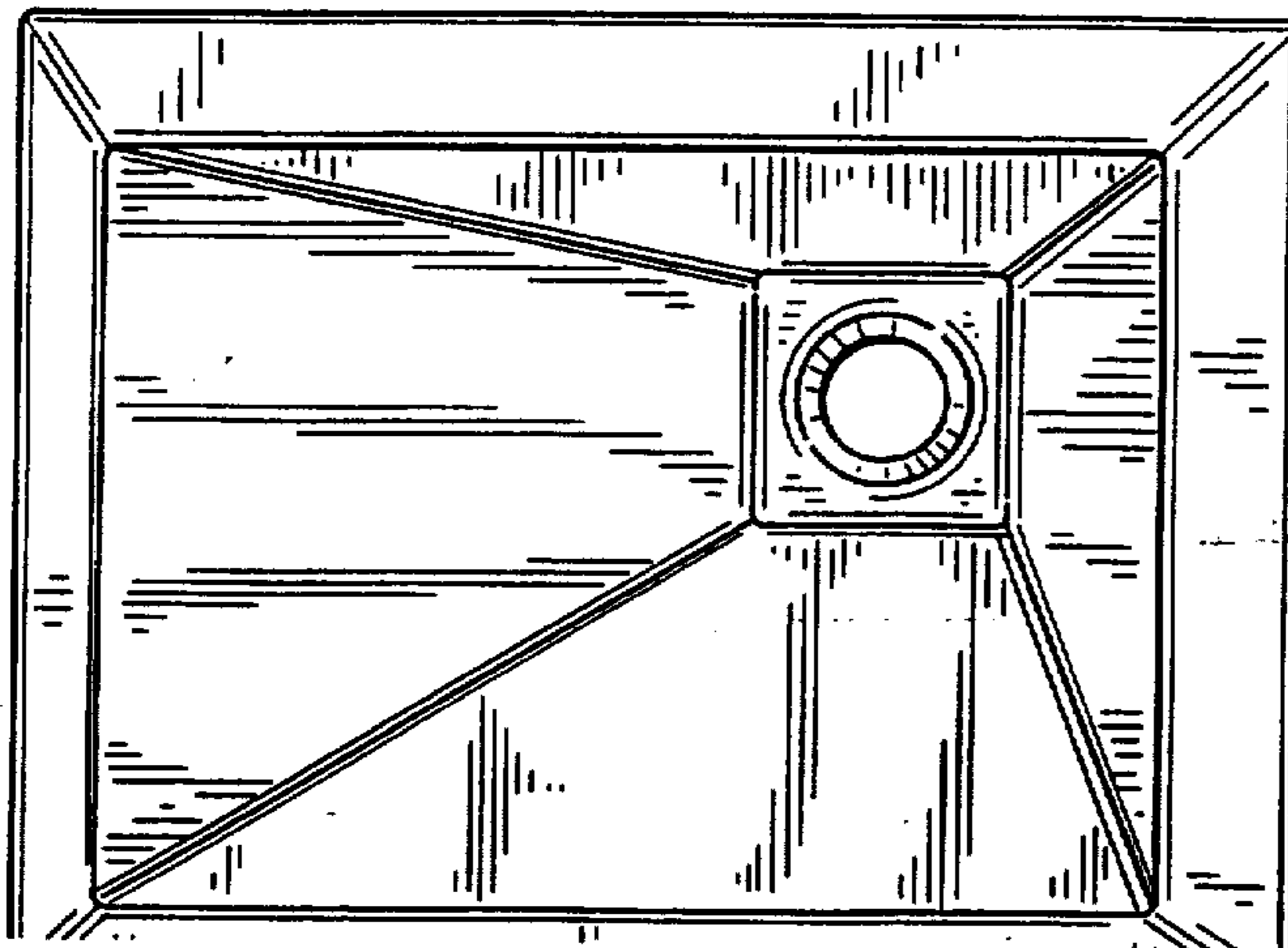


FIG. 15

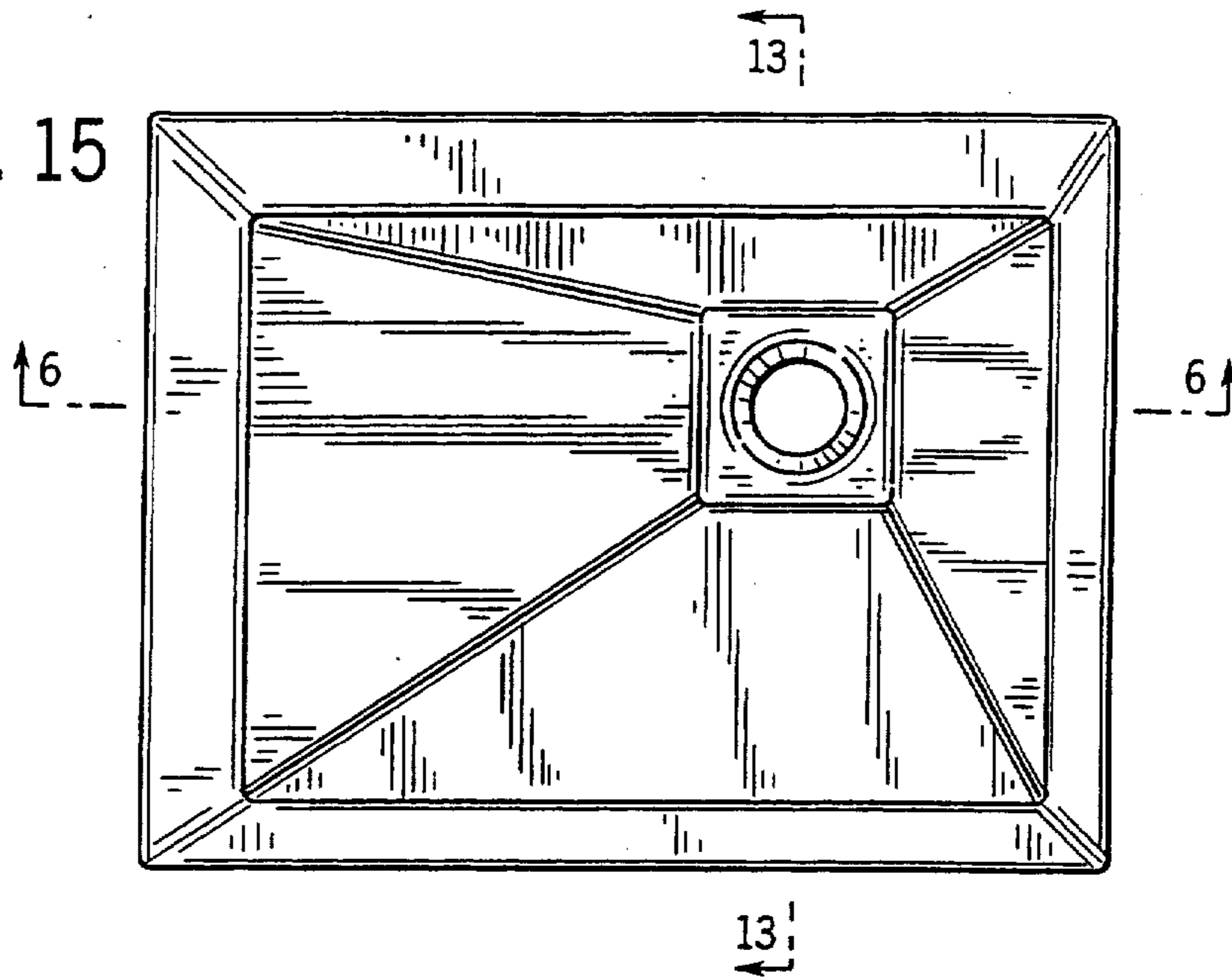


FIG. 16

