



US00D412199S

United States Patent [19]

Louis

[11] **Patent Number: Des. 412,199**

[45] **Date of Patent: ** Jul. 20, 1999**

[54] **MISTING DEVICE WITH SQUARE SHAPED BASE**

[76] Inventor: **R. J. Louis**, 5474 Round Meadow Rd., Hidden Hills, Calif. 91302

[**] Term: **14 Years**

[21] Appl. No.: **29/083,803**

[22] Filed: **Feb. 18, 1998**

[51] **LOC (6) Cl.** **23-01**

[52] **U.S. Cl.** **D23/213; D23/214**

[58] **Field of Search** D23/213, 214, D23/215, 216, 217; 135/16; 239/14.1, 2.1, 289; D6/495, 486

[56] **References Cited**

U.S. PATENT DOCUMENTS

D. 365,141	12/1995	Palestrant	D23/213
2,727,366	12/1955	Hagen	239/289
5,000,384	3/1991	Arnold	239/289
5,143,107	9/1992	Kelley	135/16

Primary Examiner—Alan P. Douglas

Assistant Examiner—Robin V. Taylor
Attorney, Agent, or Firm—Blakely, Sokoloff, Taylor & Zafman LLP

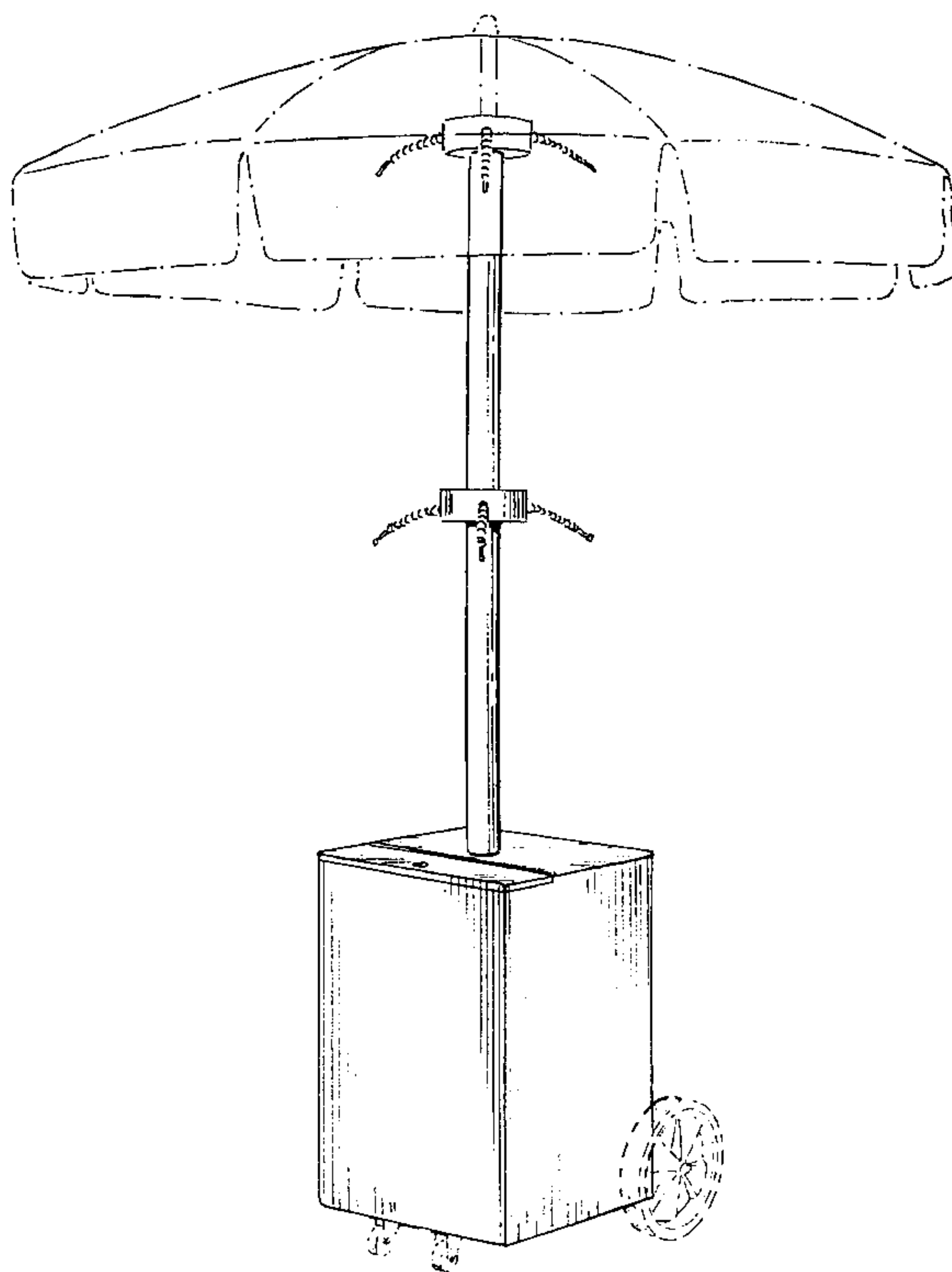
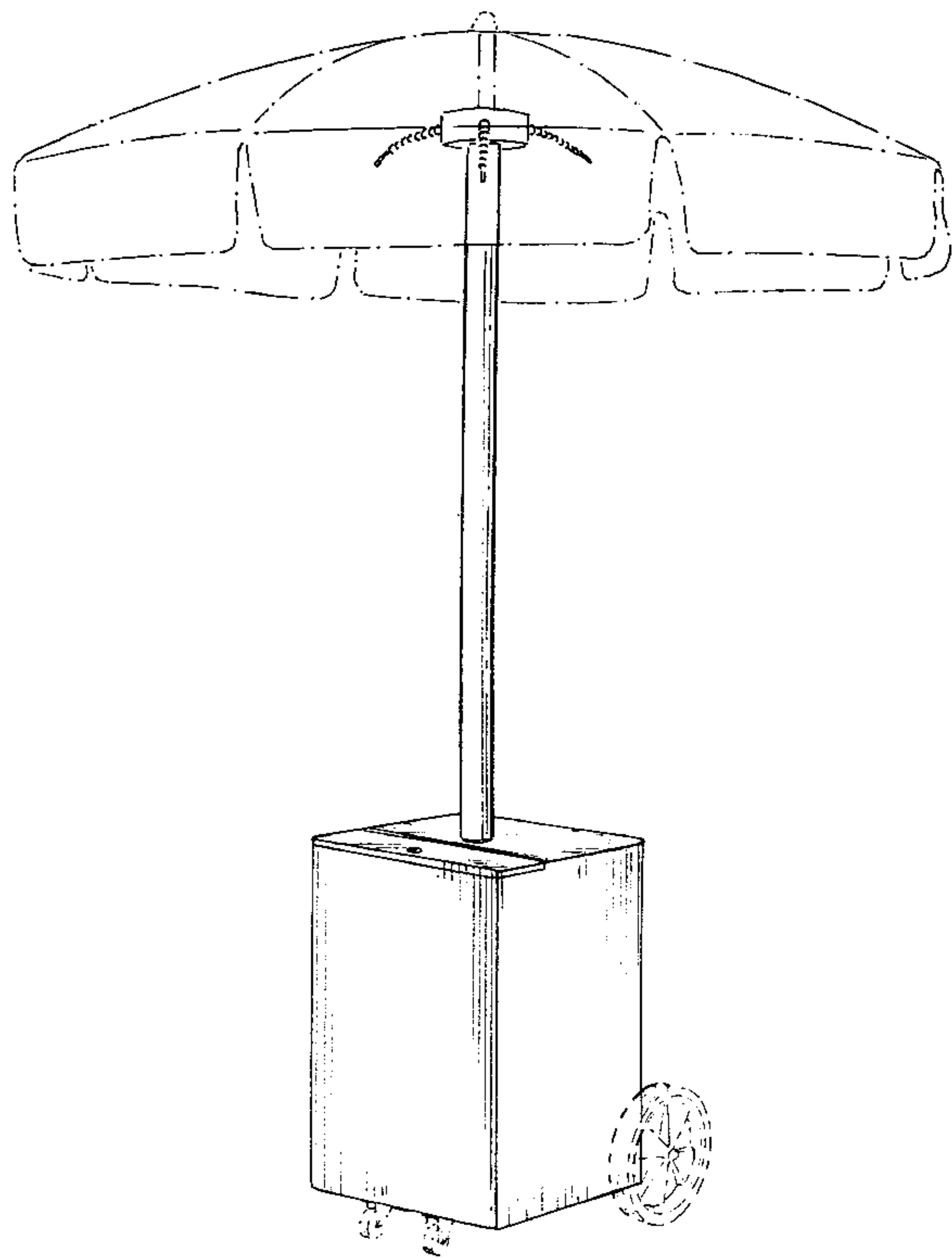
[57] **CLAIM**

The ornamental design for a misting device with square shaped base, as shown and described.

DESCRIPTION

FIG. 1 is a front, side perspective view of a misting device with square shaped base showing my new design; FIG. 2 is a front elevational view thereof; FIG. 3 is a right side elevational view thereof; FIG. 4 is a left side elevational view thereof; FIG. 5 is a rear elevational view thereof; FIG. 6 is a bottom plan view thereof; FIG. 7 is a top plan view thereof; and, FIG. 8 is a perspective view of an alternate embodiment like that of FIG. 1 except for an additional spray feature. The broken line showing of a shade umbrella and wheels in FIGS. 1 and 8 is for illustrative purposes only and forms no part of the claimed design.

1 Claim, 4 Drawing Sheets



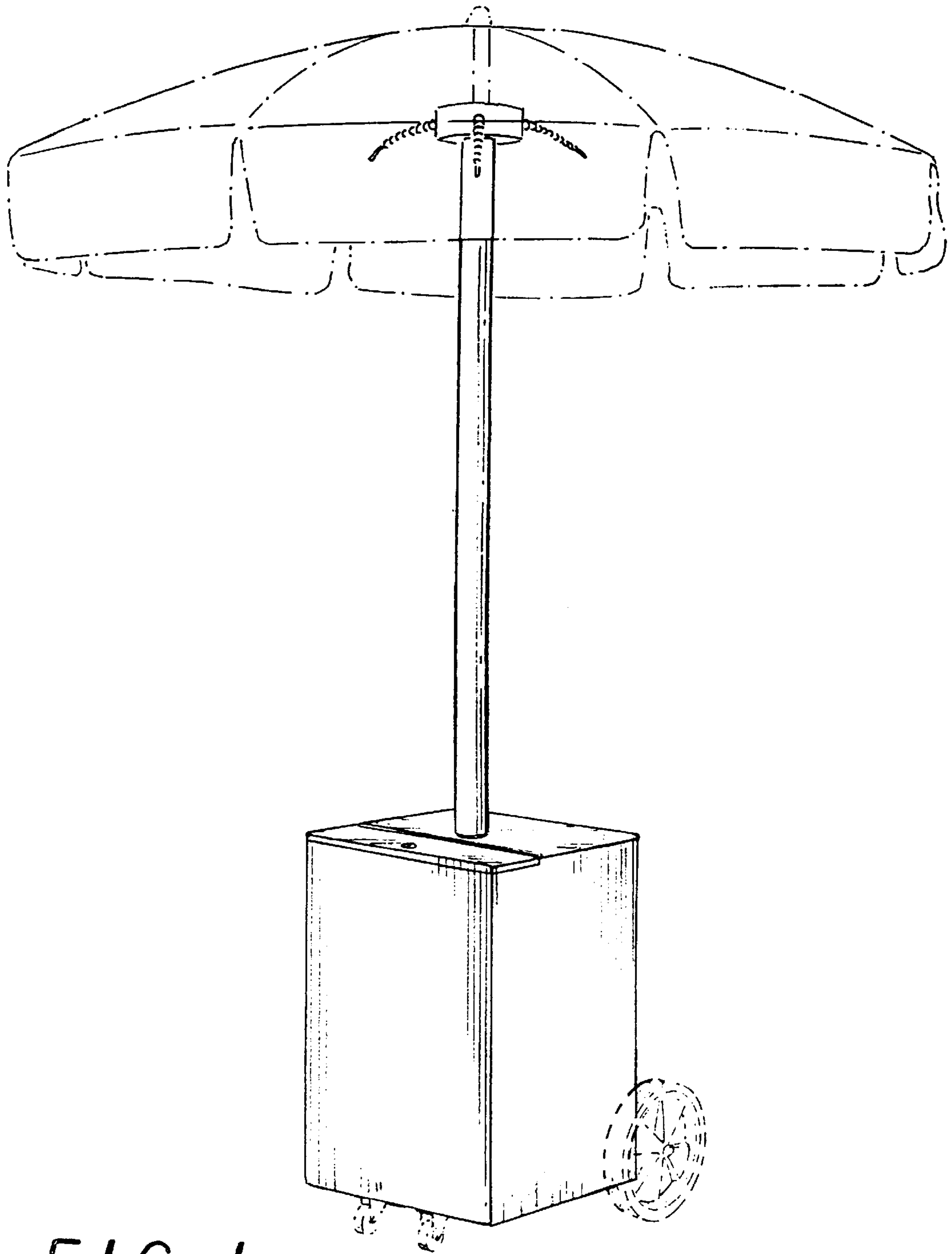


FIG. 1

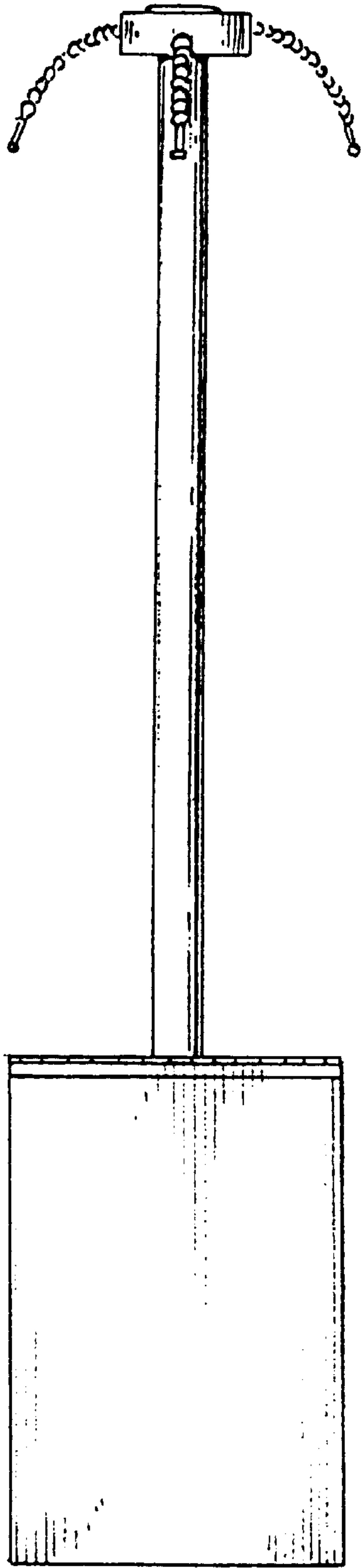


FIG. 2

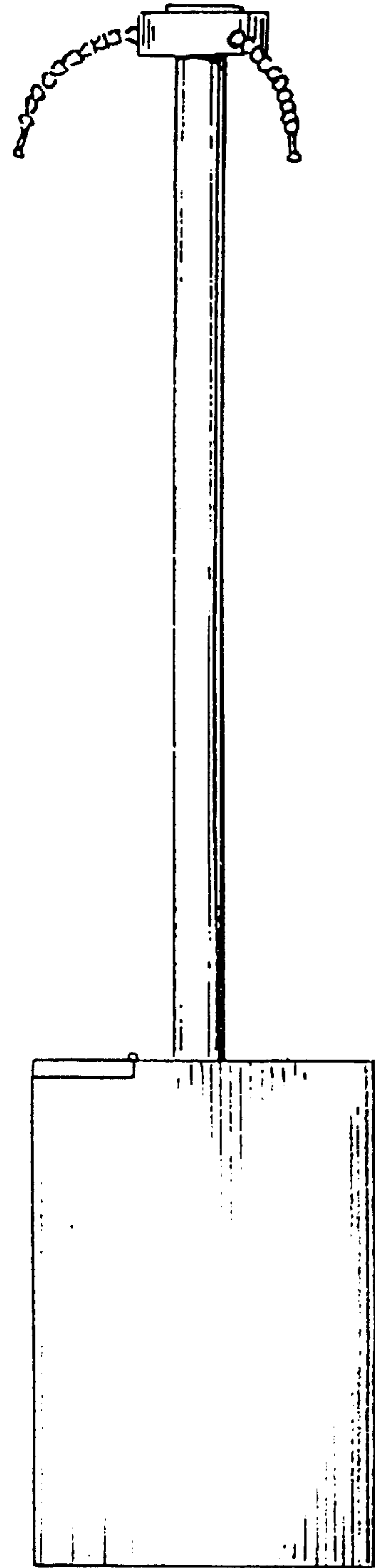


FIG. 3

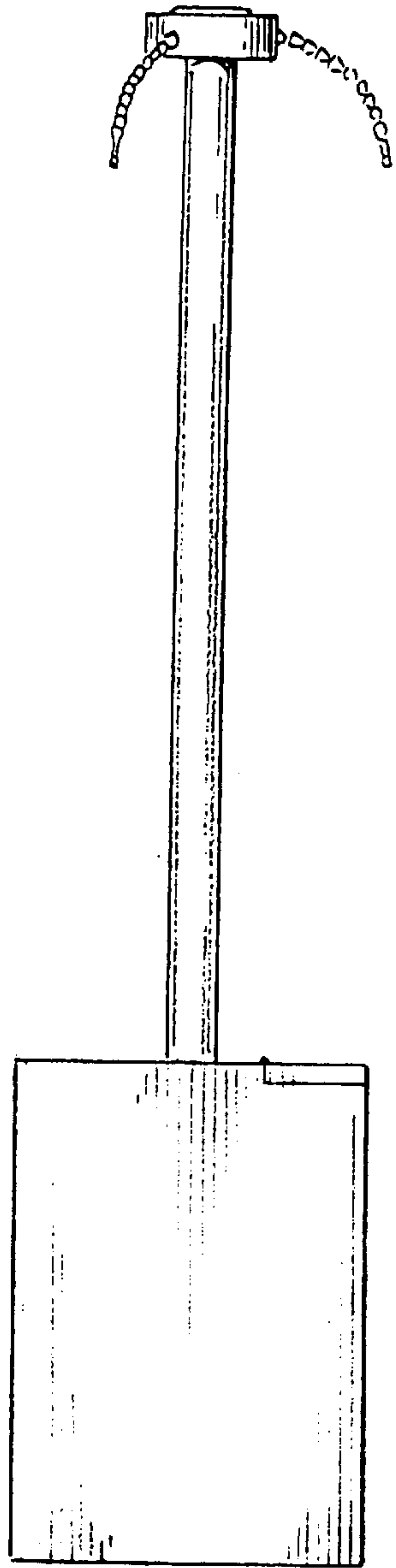


FIG. 4

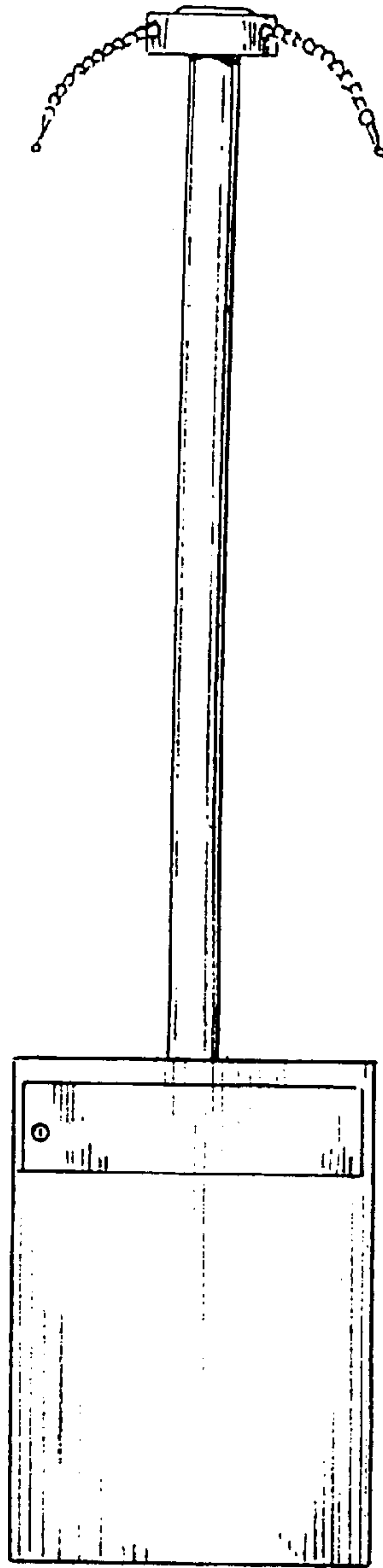


FIG. 5

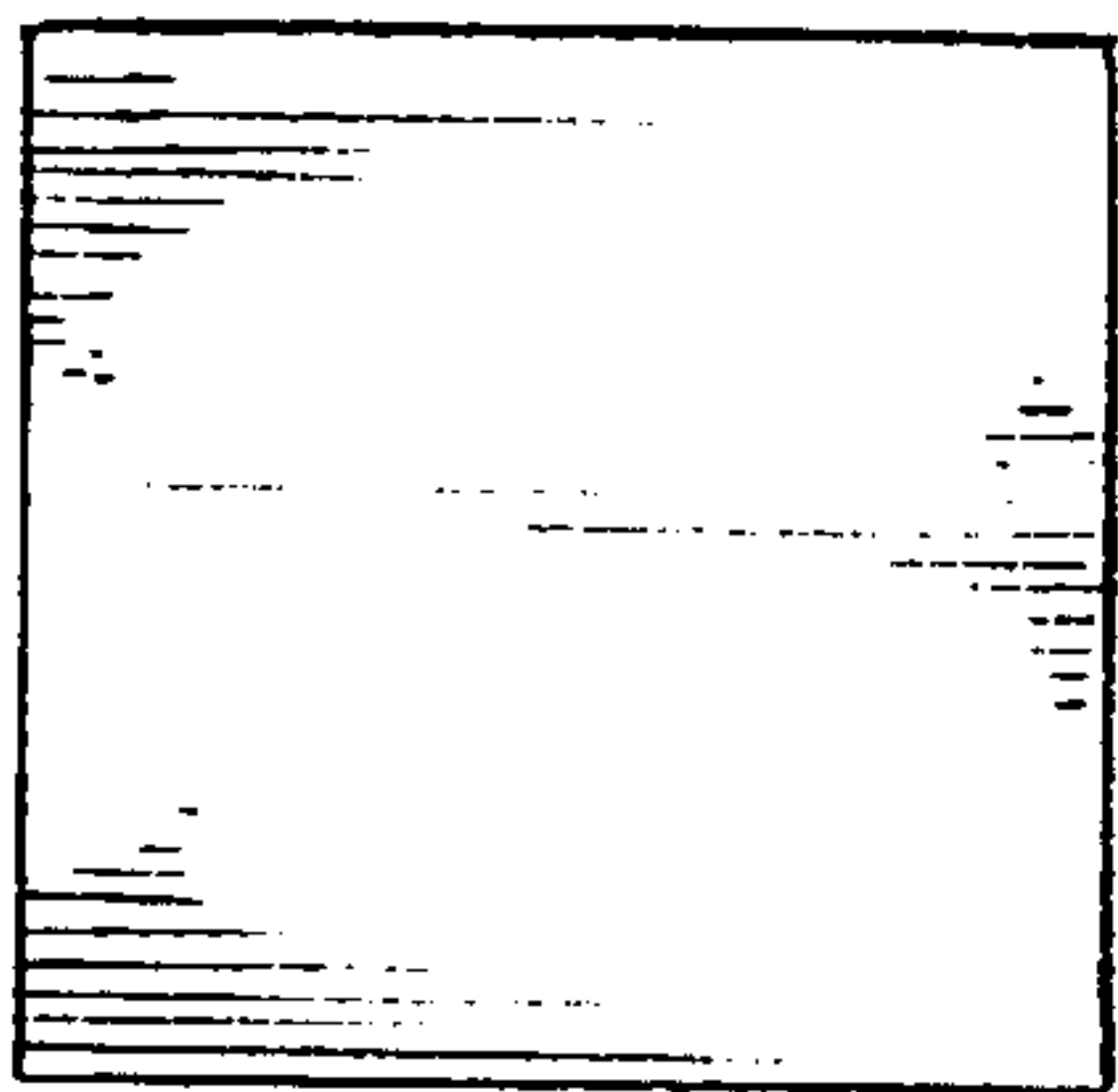


FIG. 6

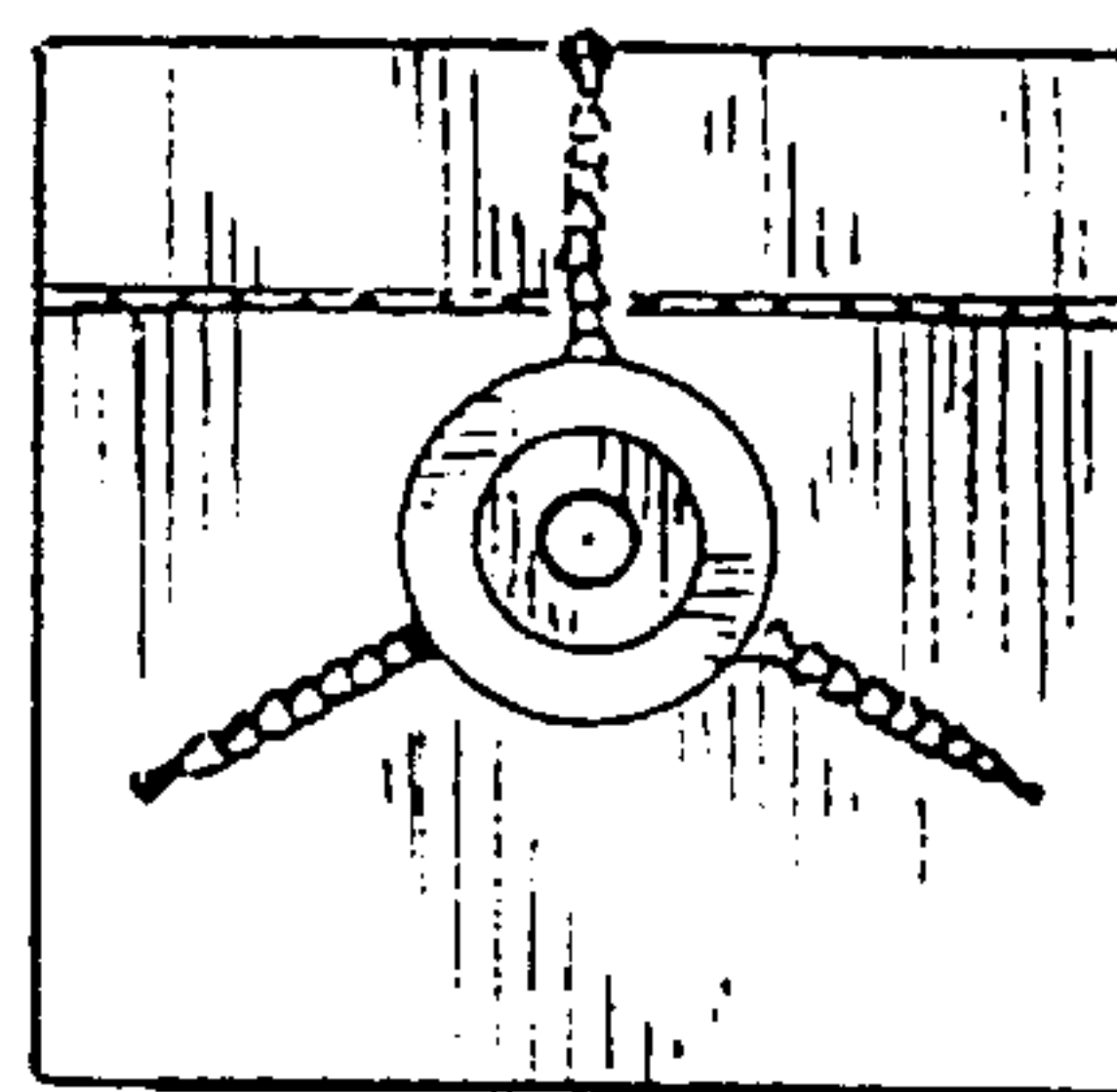


FIG. 7

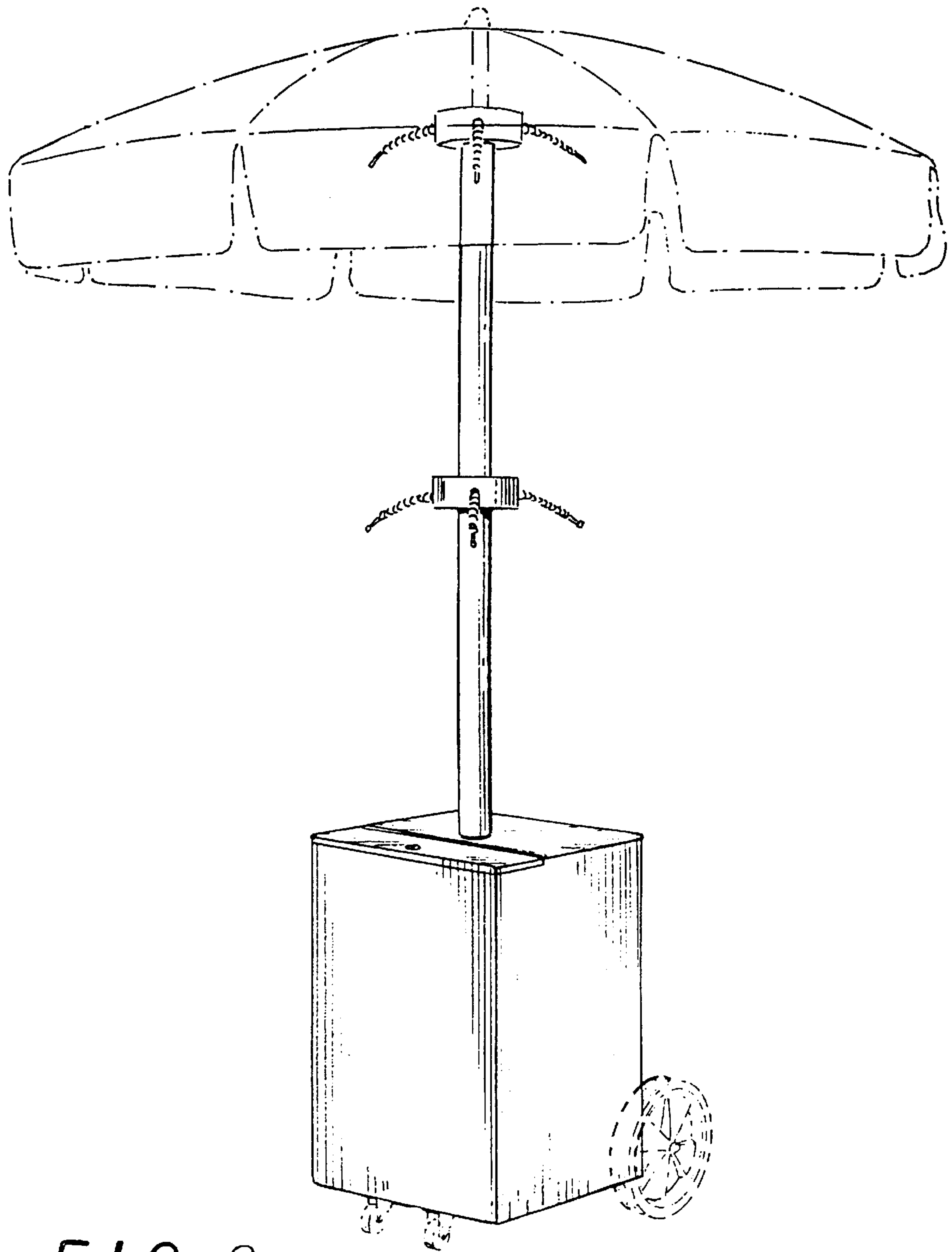


FIG. 8