



US00D412194S

United States Patent [19]

[11] **Patent Number: Des. 412,194**

Drossos

[45] **Date of Patent: ** Jul. 20, 1999**

[54] **PUTTER HEAD**

5,429,366 7/1995 McCabe 473/340
5,571,052 11/1996 Bolanos 473/340

[76] Inventor: **William Drossos**, 1206 Duncan Avenue,
Penticton, British Columbia, Canada,
V2A 2X2

Primary Examiner—Mitchell I. Siegel
Attorney, Agent, or Firm—Anthony C. Edwards

[**] Term: **14 Years**

[57] **CLAIM**

[21] Appl. No.: **29/078,865**

The ornamental design for a putter head, as shown and described.

[22] Filed: **Nov. 4, 1997**

DESCRIPTION

[51] **LOC (6) Cl.** **21-02**

FIG. 1 is, in front perspective view, the design of the present invention.

[52] **U.S. Cl.** **D21/743**

FIG. 2 is, in front elevation view, the design of FIG. 1.

[58] **Field of Search** D21/217-219;
473/340, 341, 251-256

FIG. 3 is, in rear elevation view, the design of FIG. 1.

FIG. 4 is, in top plan view, the design of FIG. 1.

FIG. 5 is, in bottom view, the design of FIG. 1.

[56] **References Cited**

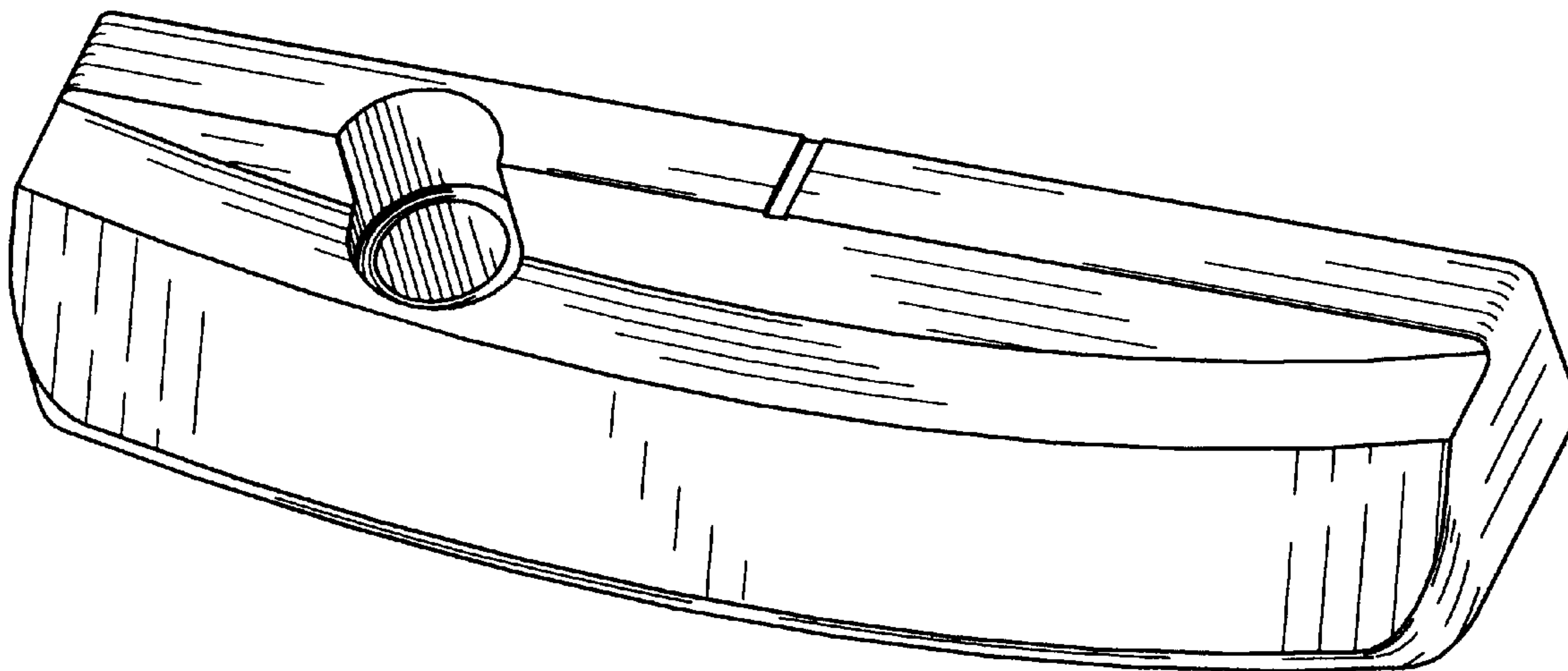
U.S. PATENT DOCUMENTS

- D. 310,115 8/1990 Inuma D21/217
- D. 359,331 6/1995 Fenton, Jr. D21/219
- D. 375,988 11/1996 Phillips D21/219

FIG. 6 is, in right side elevation view, the design of FIG. 1; and,

FIG. 7 is, in left side elevation view, the design of FIG. 1.

1 Claim, 7 Drawing Sheets



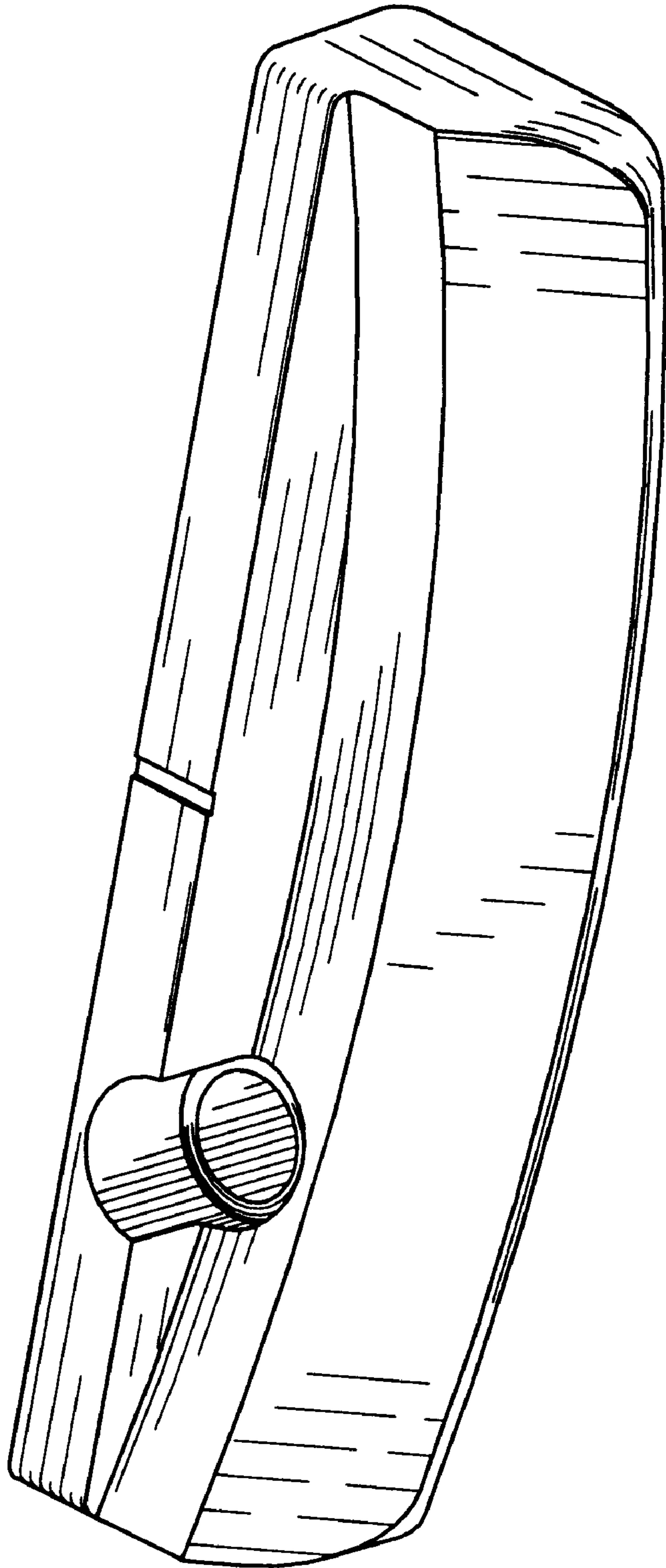


FIG. 1

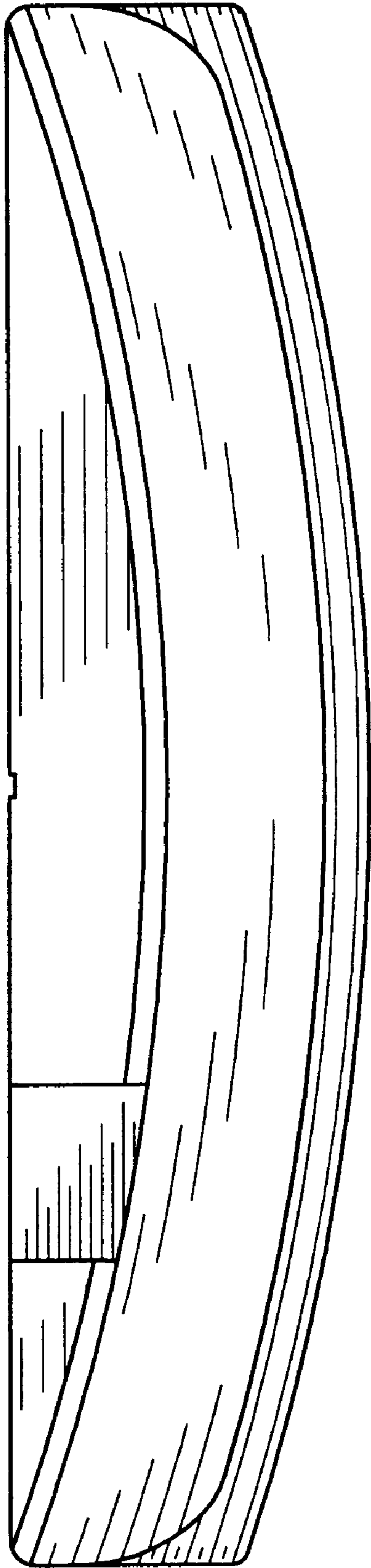


FIG. 2

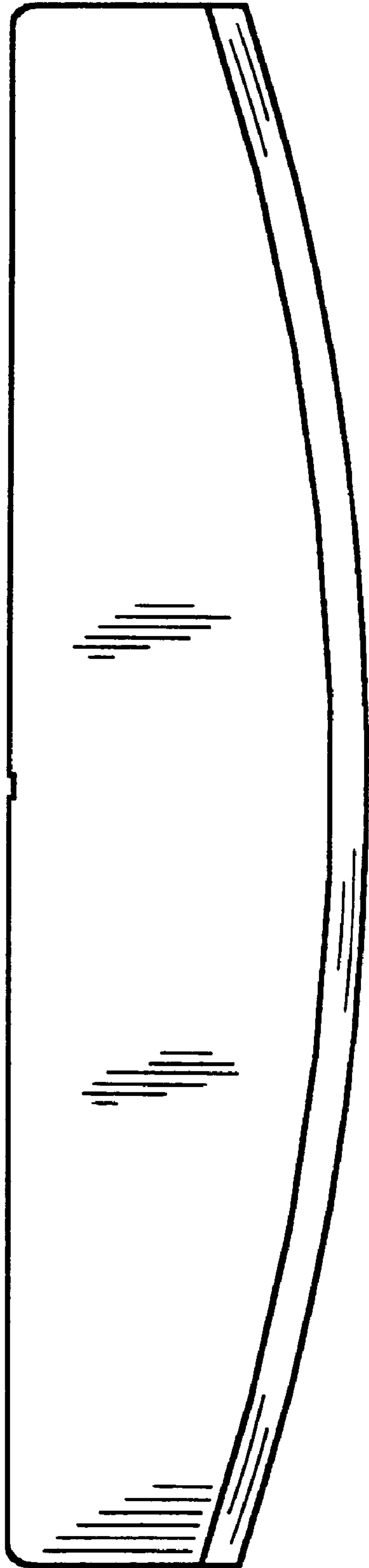


FIG. 3

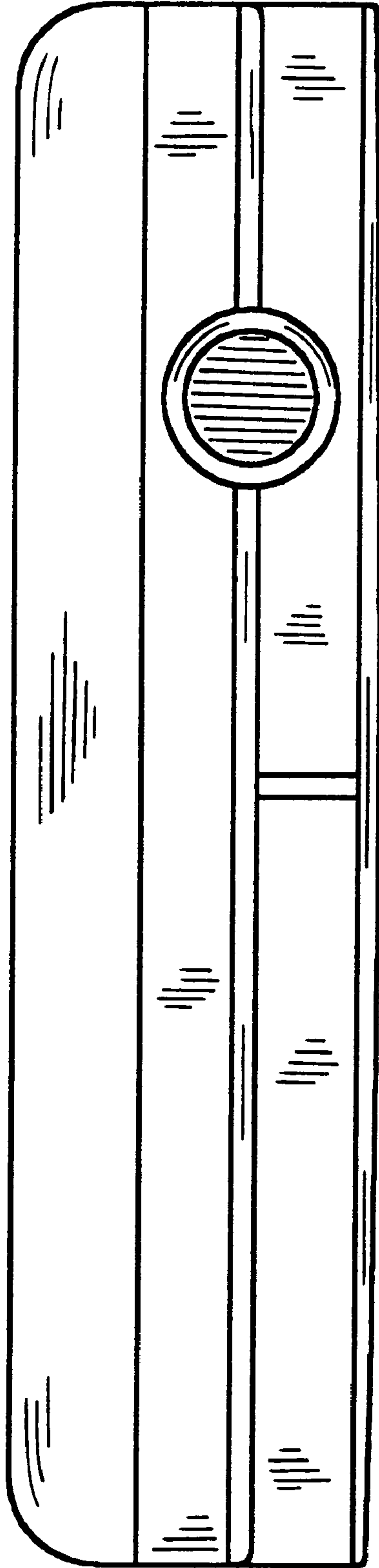


FIG. 4

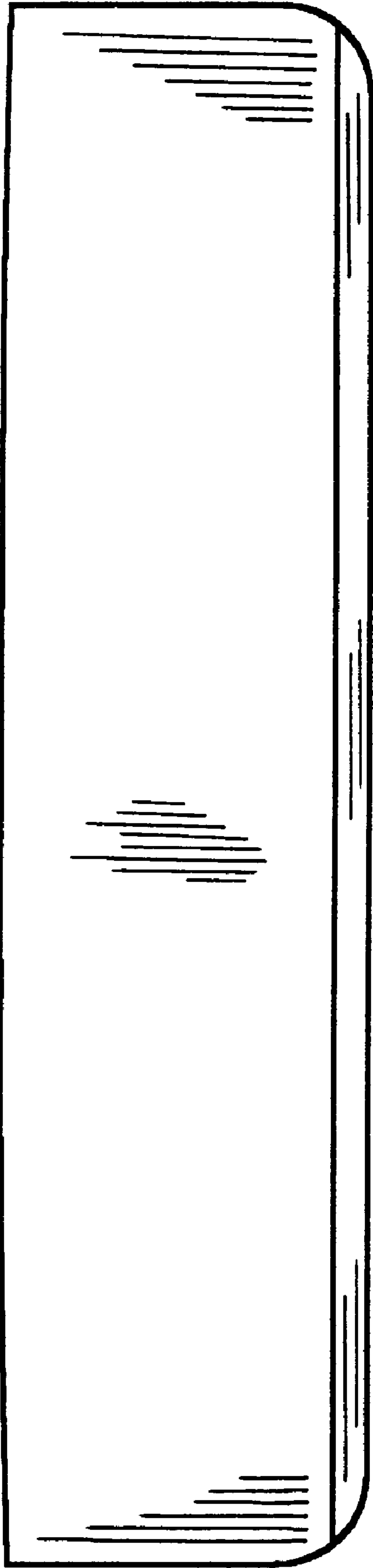


FIG. 5

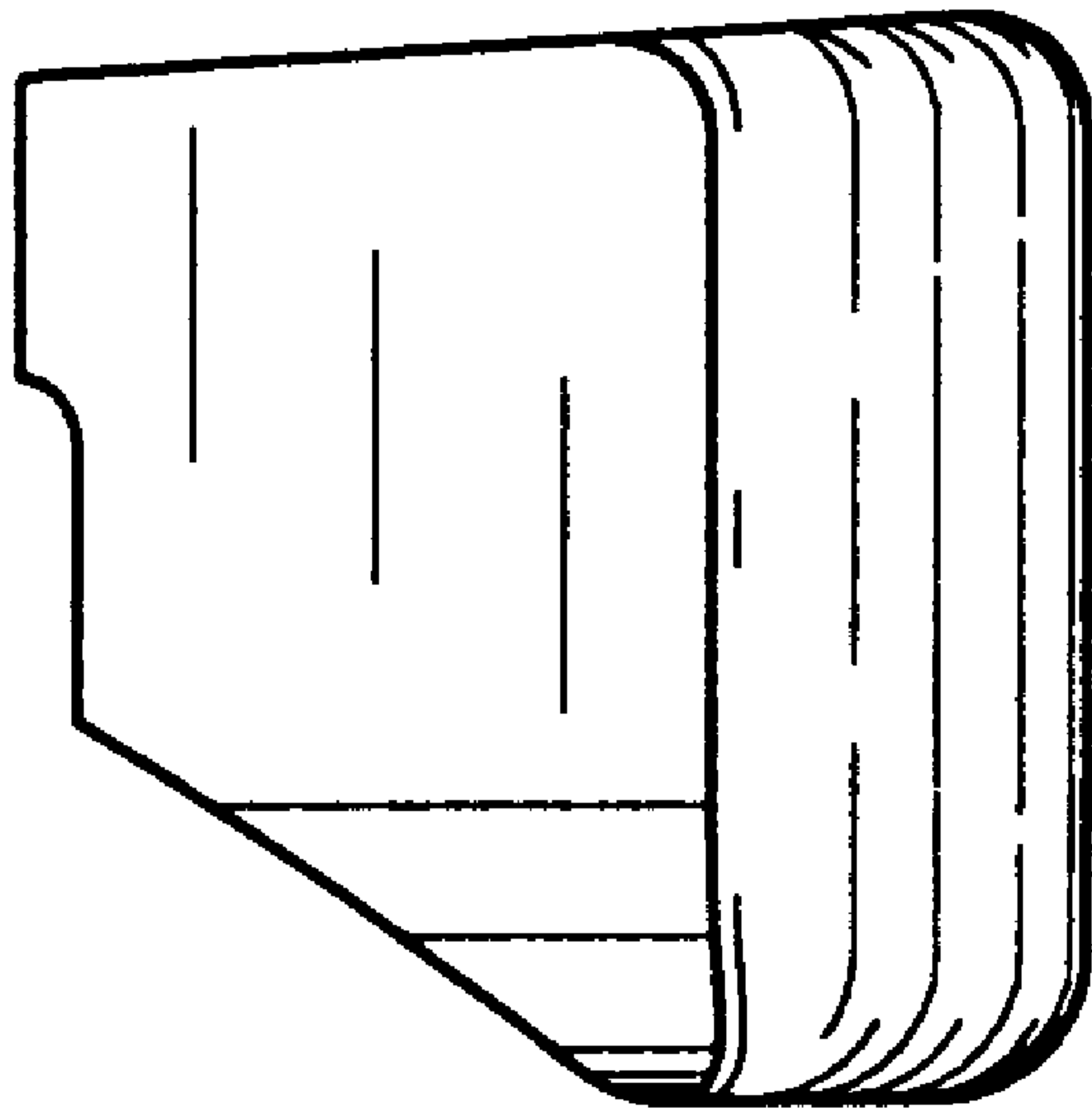


FIG. 6

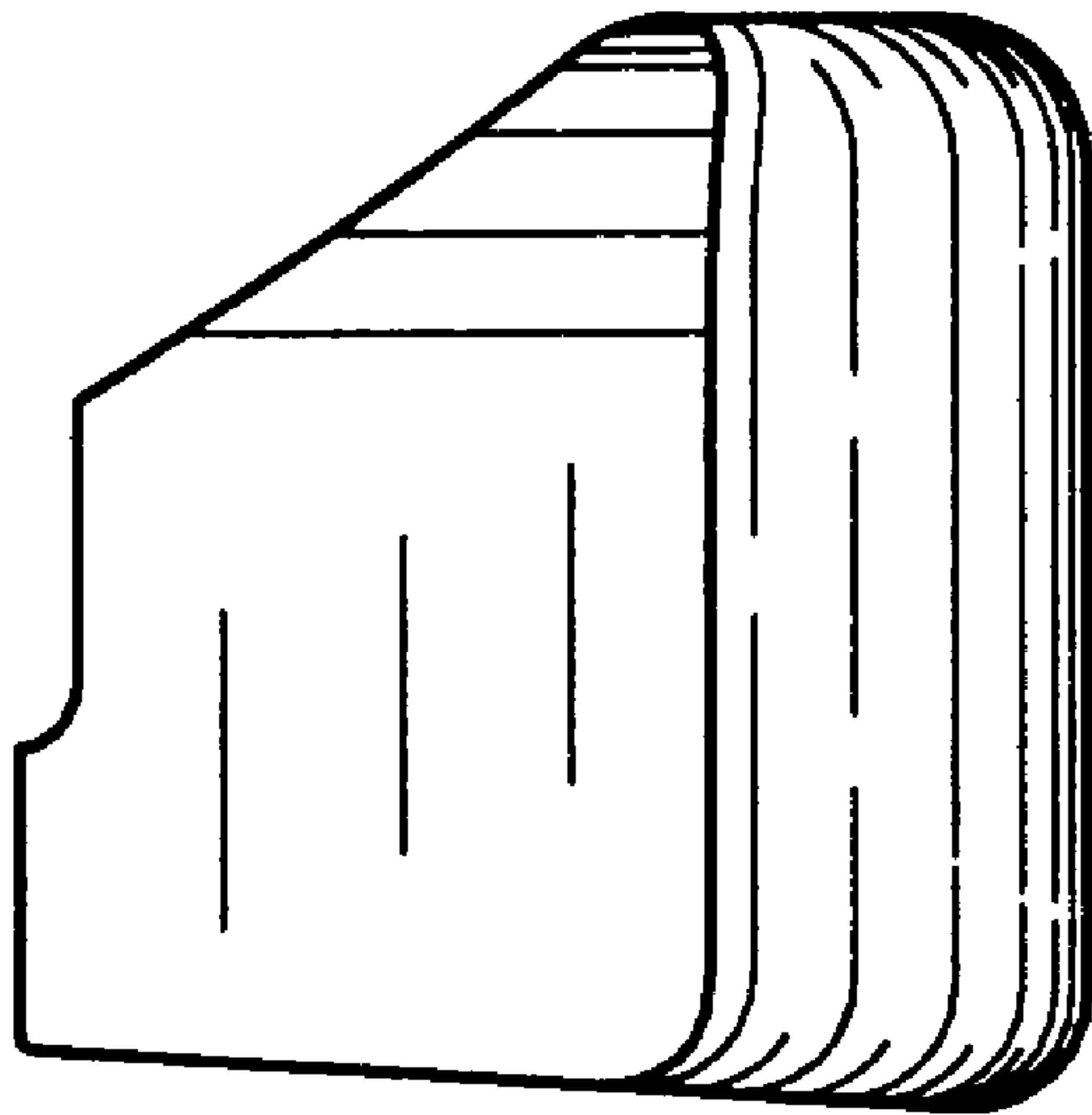


FIG. 7