



US00D412192S

United States Patent [19]

Birrell et al.

[11] Patent Number: Des. 412,192

[45] Date of Patent: ** Jul. 20, 1999

[54] DISPLAY PANEL

5,769,755 6/1998 Henry et al. 482/8

[75] Inventors: James S. Birrell, Seattle; Michael C. Kemery, Bellevue, both of Wash.

[73] Assignee: Precor Incorporated, Bothell, Wash.

[**] Term: 14 Years

[21] Appl. No.: 29/086,980

[22] Filed: Apr. 23, 1998

[51] LOC (6) Cl. 21-02

[52] U.S. Cl. D21/696

[58] Field of Search D21/662, 663, D21/666, 668, 669, 670, 694, 696; 482/51, 52, 4, 7, 8

[56] References Cited

U.S. PATENT DOCUMENTS

D. 39,867	9/1909	Huang	D21/663
D. 325,946	5/1992	Cesaroni et al.	D21/663
D. 331,085	11/1992	Beyer	D21/696
D. 331,435	12/1992	Ueda	D21/696
D. 347,039	5/1994	Littrell et al.	.	
D. 360,916	8/1995	Koga	D21/663
D. 388,847	1/1998	Whan-Tong et al.	.	
D. 394,282	5/1998	Birrell	D20/19
4,842,266	6/1989	Sweeney, Sr. et al.	.	
4,911,427	3/1990	Matsumoto et al.	.	
4,934,692	6/1990	Owens	.	
5,318,487	6/1994	Golen et al.	482/5
5,403,252	4/1995	Leon et al.	482/52
5,685,804	11/1997	Whan-Tong et al.	482/51

OTHER PUBLICATIONS

Service Merchandise Catalog, pp. 522 and 525, Exerciser Display panels, 1996/1997.

Precor Incorporated brochure entitled "M9.21/M9.21s/9.41s Low-Impact Treadmill" (1995).

Precor Incorporated brochure entitled "EFX544 Elliptical Fitness Crosstraining" (1996).

Precor Incorporated brochure entitled "EFX5.21s Elliptical Fitness Crosstraining" (1996).

Primary Examiner—Philip S. Hyder

Attorney, Agent, or Firm—Christensen O'Connor Johnson & Kindness PLLC

[57] CLAIM

The ornamental design for a display panel, as shown and described.

DESCRIPTION

FIG. 1 is a perspective view of the display panel showing my new design;

FIG. 2 is a top view thereof;

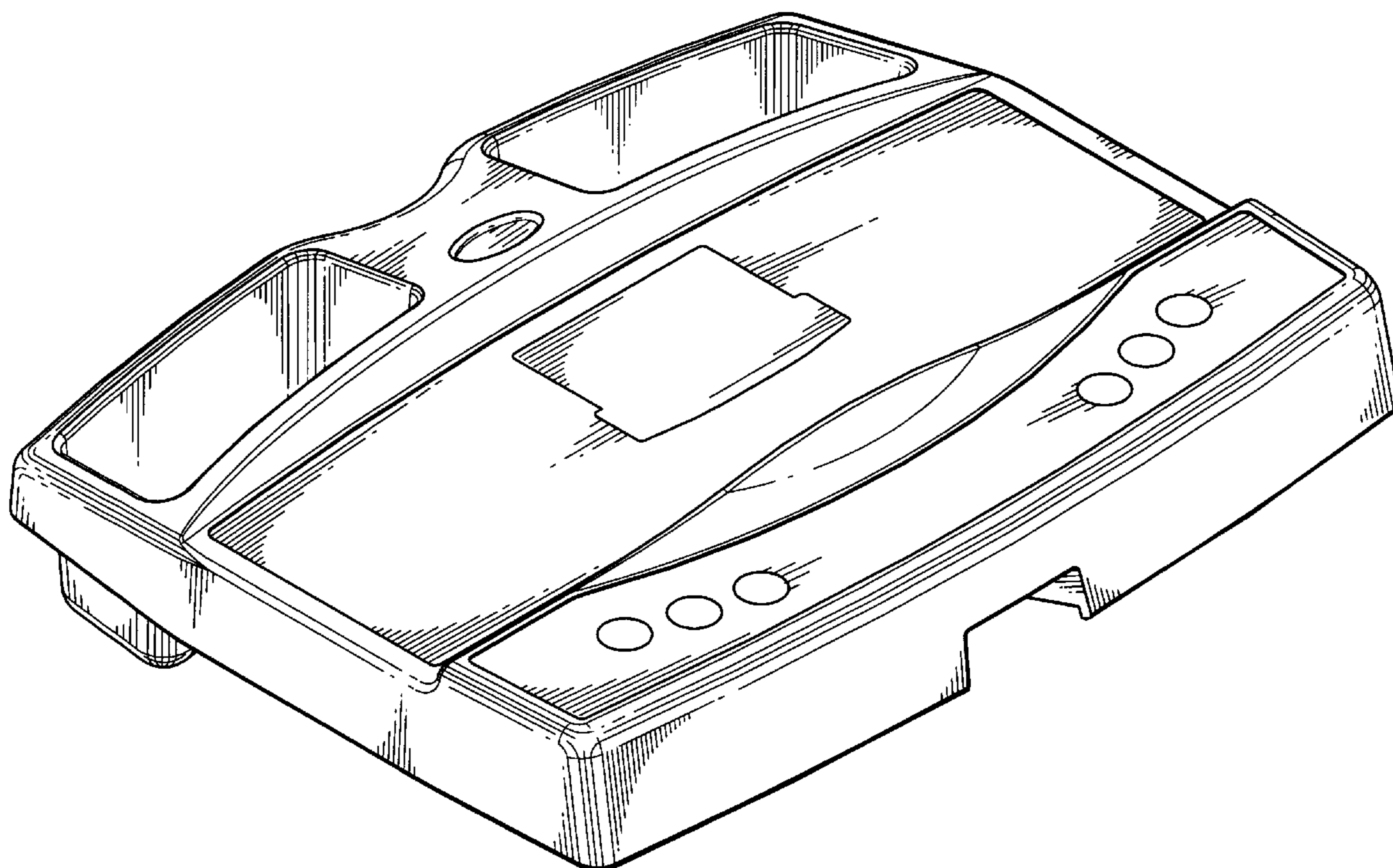
FIG. 3 is an edge view thereof taken substantially along lines 3—3 of FIG. 2;

FIG. 4 is an edge view thereof taken from the opposite side of the display panel from FIG. 3;

FIG. 5 is a side view thereof taken substantially along lines 5—5 of FIG. 2, with the opposing side edge view being a mirror image of FIG. 5; and,

FIG. 6 is a bottom view thereof.

1 Claim, 5 Drawing Sheets



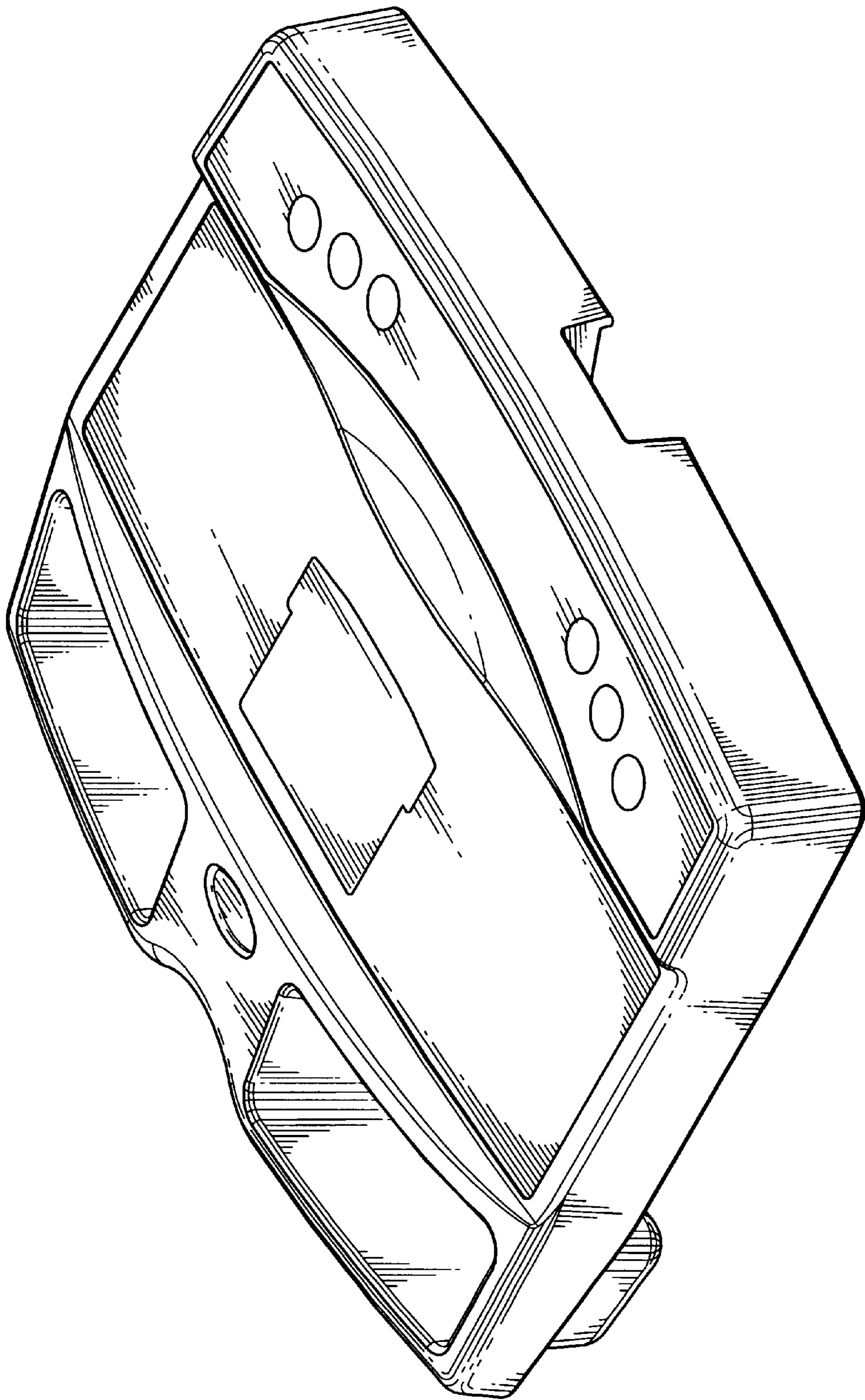


Fig. 1

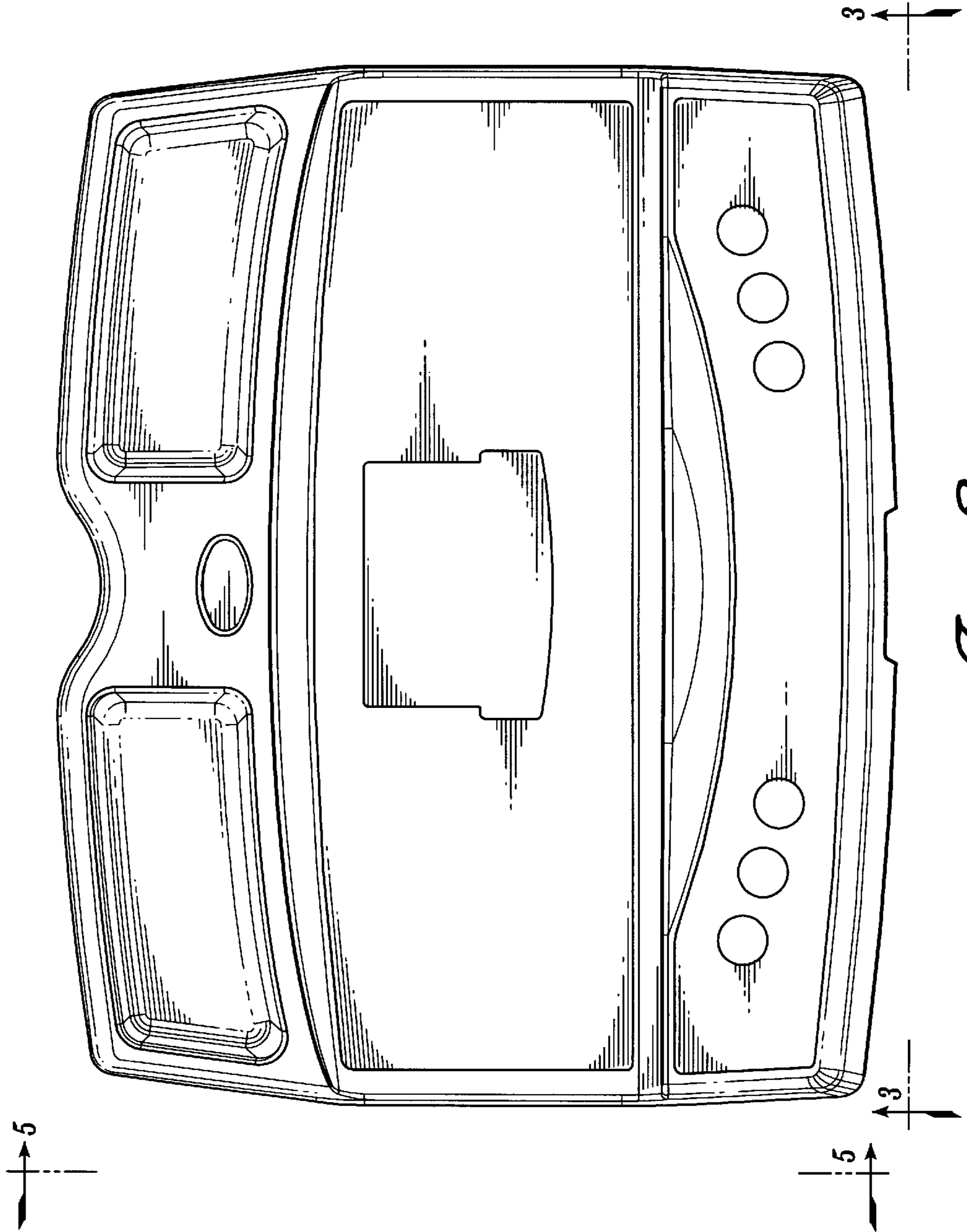


Fig. 2

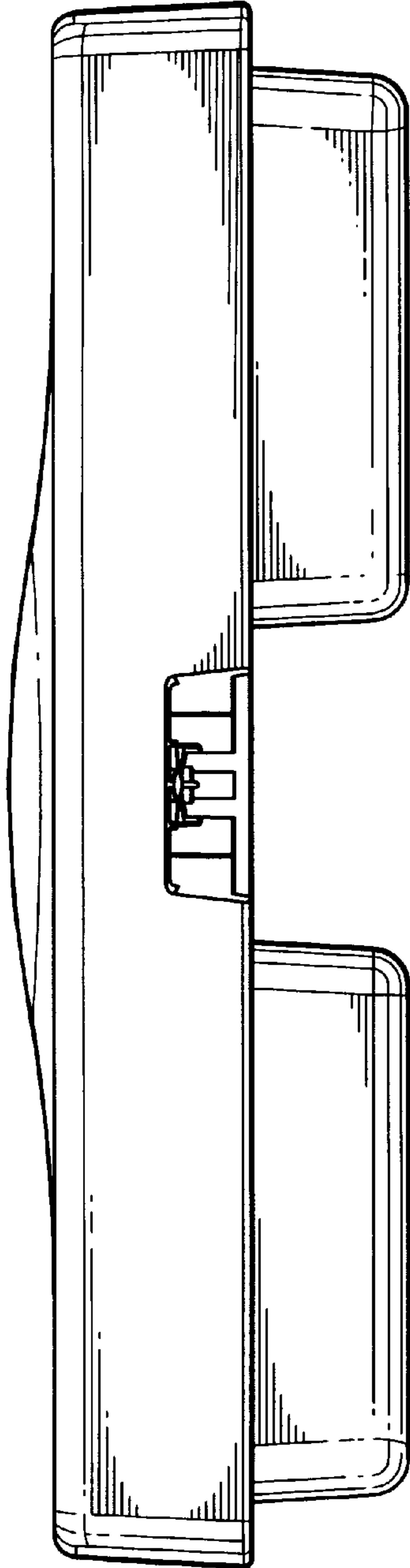


Fig. 3

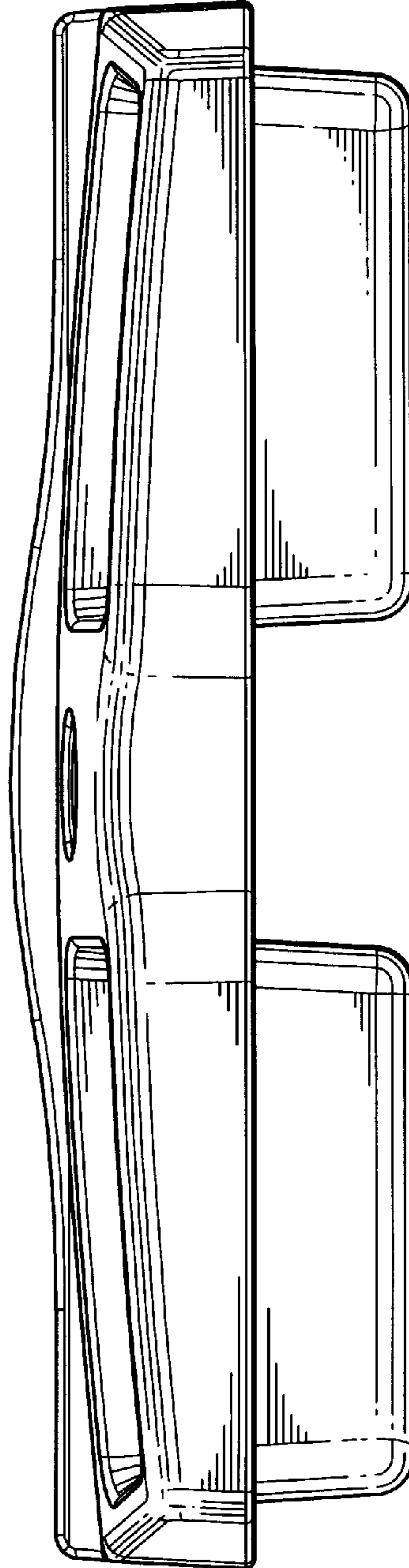


Fig. 4

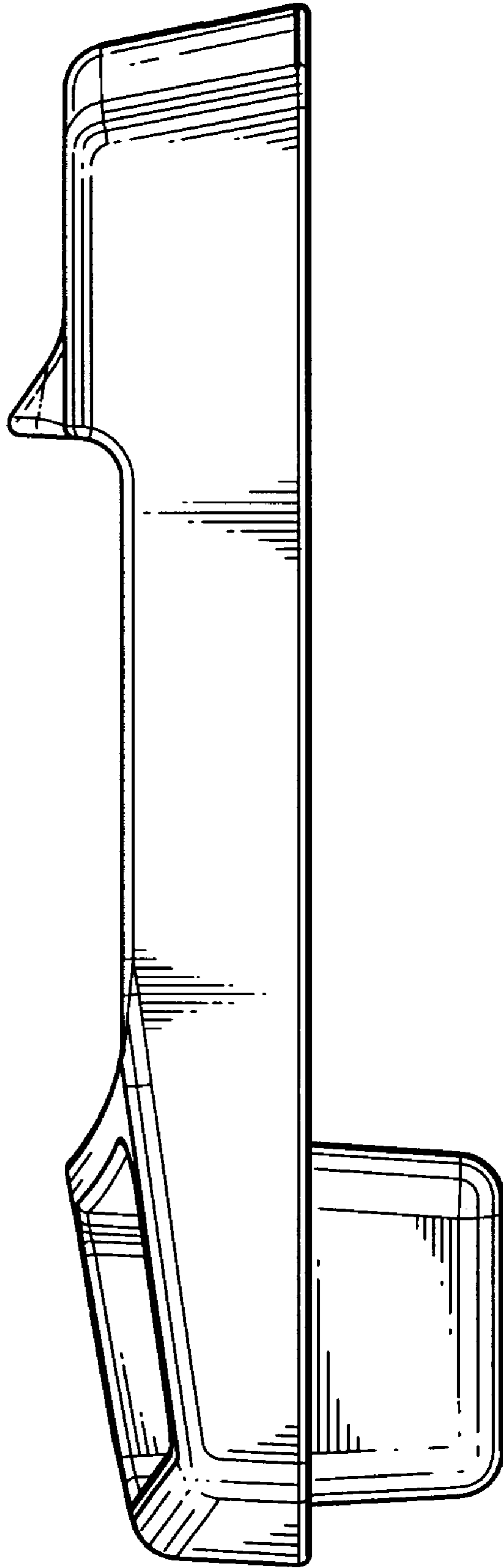


Fig. 5

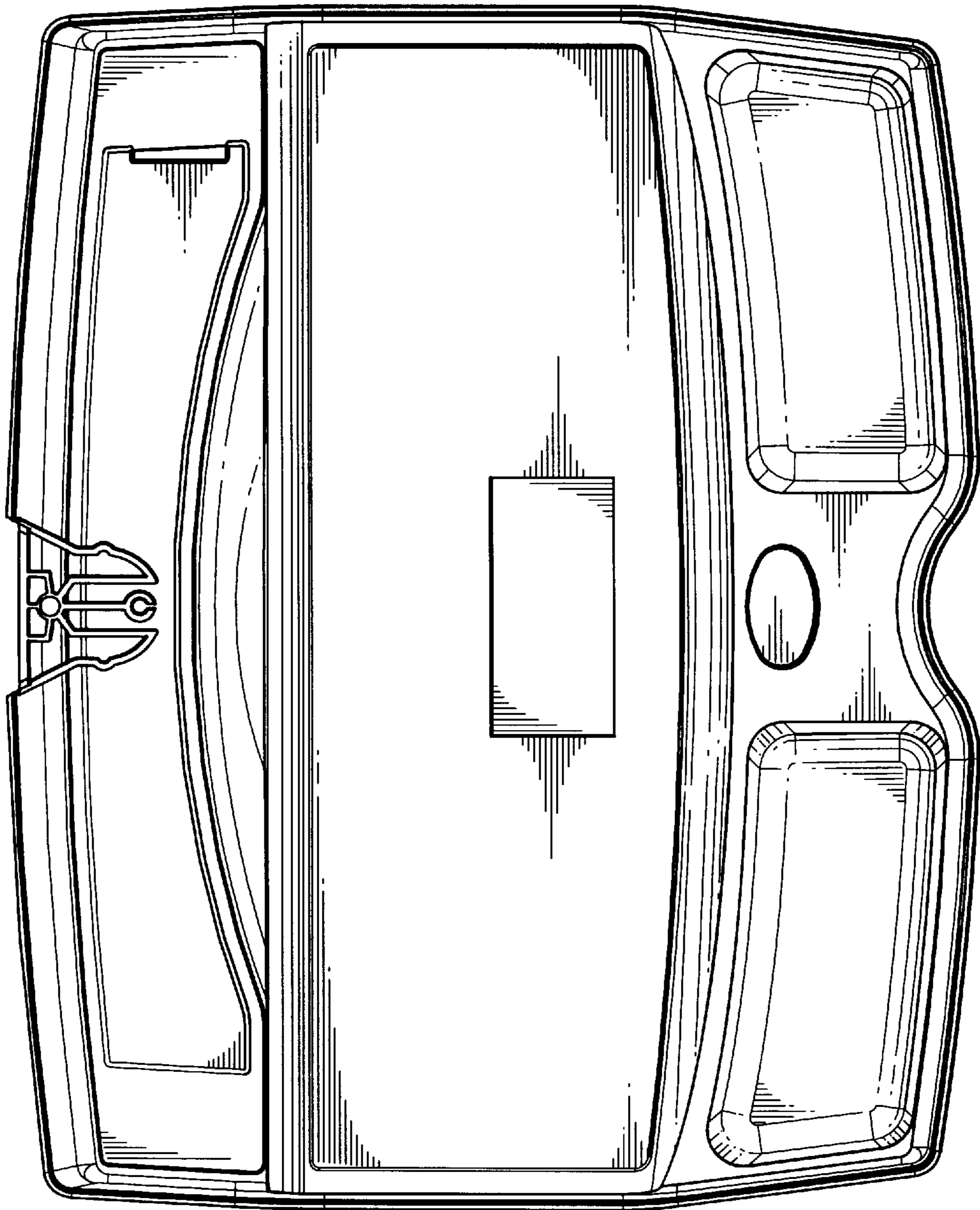


Fig. 6

UNITED STATES PATENT AND TRADEMARK OFFICE
CERTIFICATE OF CORRECTION

PATENT NO. : Des. 412,192

DATED : July 20, 1999

INVENTOR(S) : J.S. Birrell, et. al.

It is certified that error appears in the above-identified patent and that said Letters Patent is hereby corrected as shown below:

Title page, item [56], line 1, Refs. Cited "D. 39,867 9/1909" should read
--D: 398,674 9/1998--

Signed and Sealed this
Twelfth Day of September, 2000

Attest:



Q. TODD DICKINSON

Attesting Officer

Director of Patents and Trademarks