



US00D412190S

# United States Patent [19] Graham

[11] **Patent Number: Des. 412,190**

[45] **Date of Patent: \*\* Jul. 20, 1999**

[54] **STEAM POWERED TOY TUG BOAT**

3,517,455 6/1970 Glass et al. .... 446/165  
3,793,769 2/1974 Tong ..... 446/165  
4,846,751 7/1989 Kosoris ..... 446/160

[76] Inventor: **Parker Graham**, 2701 Cornwall Ave.,  
Bellingham, Wash. 98225

[\*\*] Term: **14 Years**

*Primary Examiner*—Raphael Barkai  
*Attorney, Agent, or Firm*—Robert B. Hughes; Hughes &  
Schacht, P.S.

[21] Appl. No.: **29/080,330**

[57] **CLAIM**

[22] Filed: **Dec. 4, 1997**

The ornamental design for a steam powered toy tug boat, as shown and described.

[51] **LOC (6) Cl.** ..... **21-01**

[52] **U.S. Cl.** ..... **D21/546**

[58] **Field of Search** ..... D21/542-547;  
D12/300, 315, 318; 446/160-165, 88, 87

**DESCRIPTION**

[56] **References Cited**

FIG. 1 is an isometric view showing the design of the present invention;  
FIG. 2 is a side elevational view thereof;  
FIG. 3 is a top plan view thereof;  
FIG. 4 is a front elevational view thereof;  
FIG. 5 is a rear view thereof; and,  
FIG. 6 is a bottom view thereof.

**U.S. PATENT DOCUMENTS**

D. 140,720 4/1945 Ripley ..... D21/542  
D. 160,499 10/1950 Hughes ..... D12/315  
D. 236,145 7/1975 Tong ..... D21/546  
2,388,340 11/1945 Ripley ..... 446/88

**1 Claim, 2 Drawing Sheets**

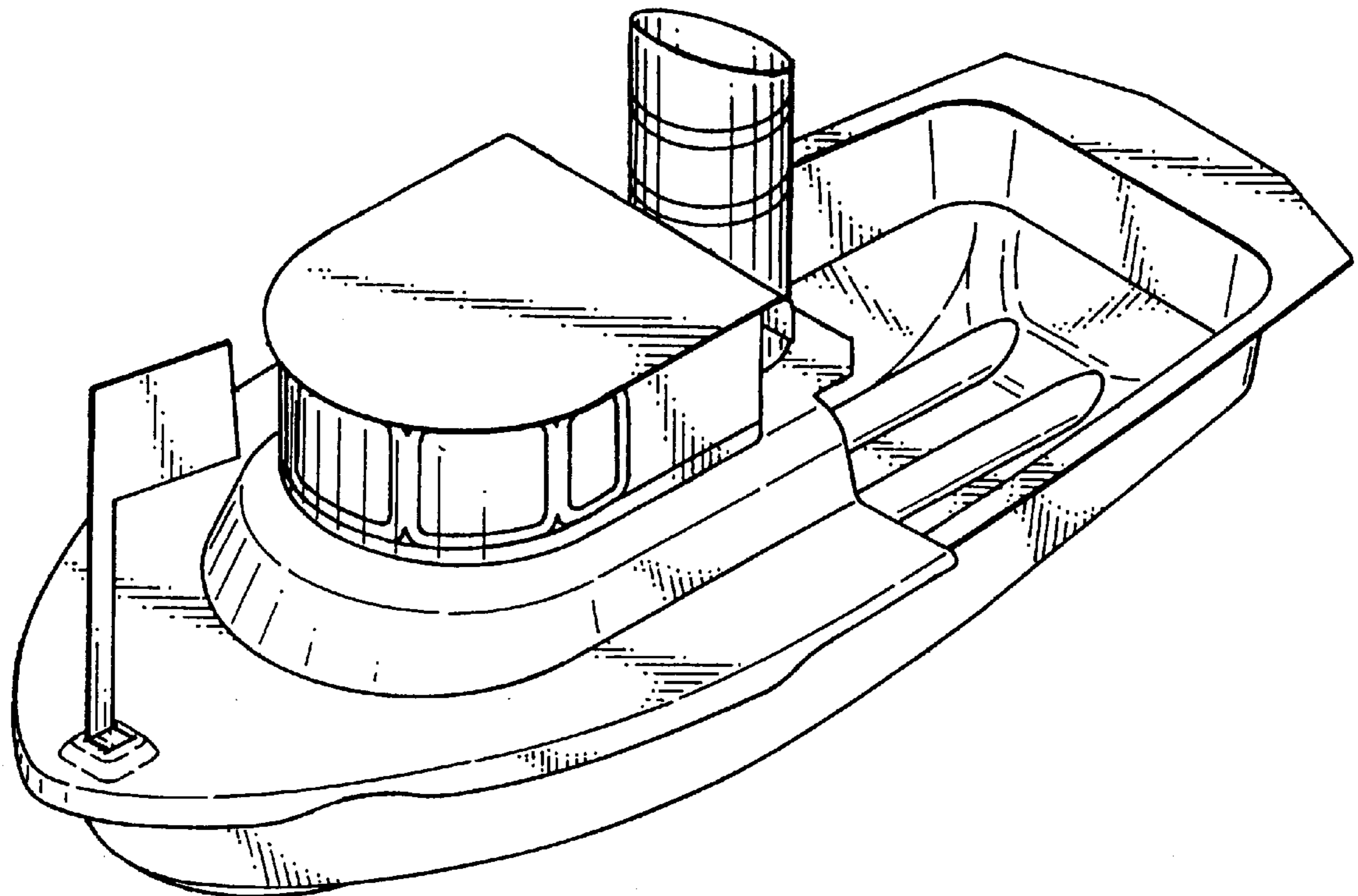


FIG. 1

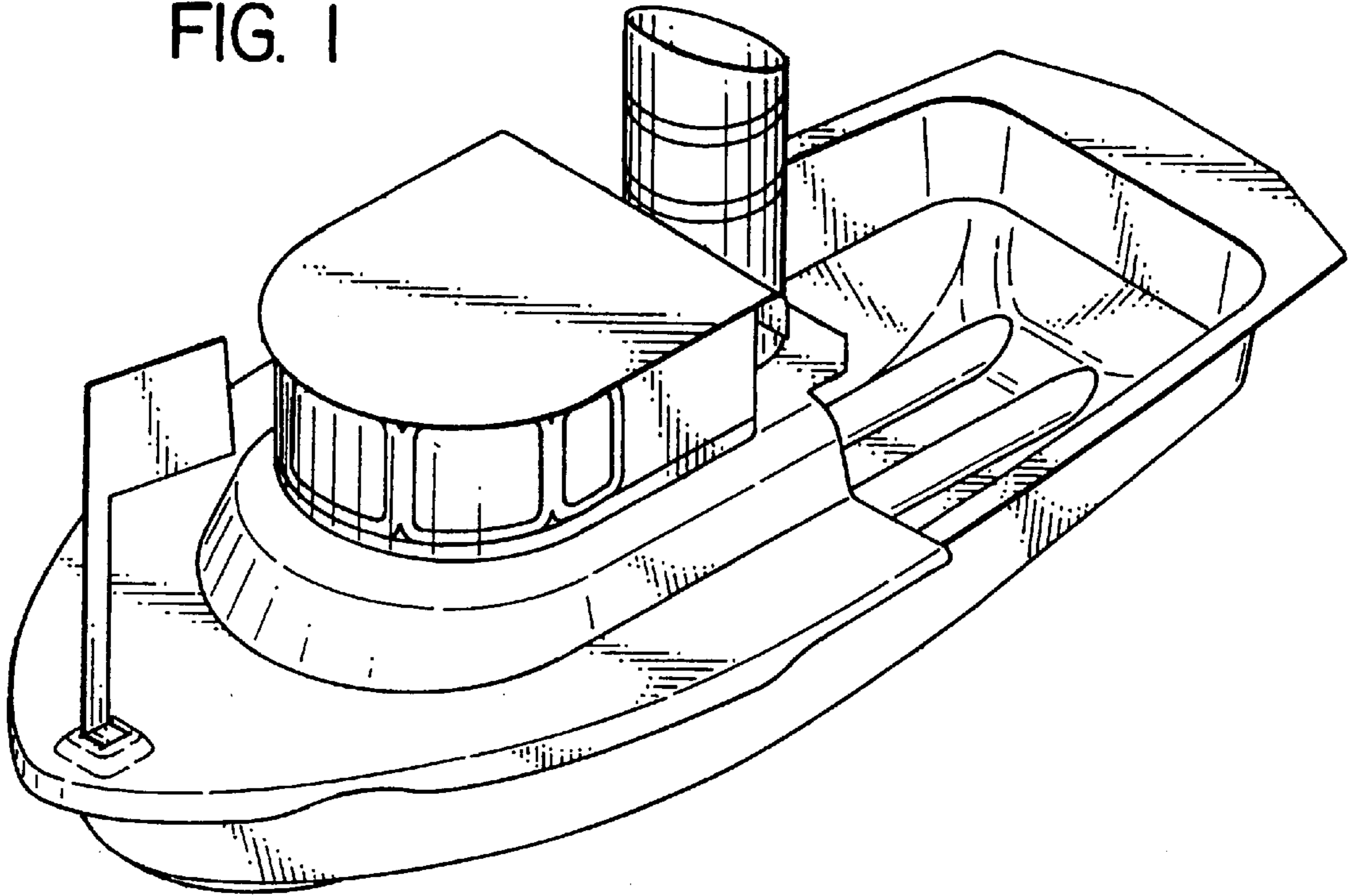


FIG. 2

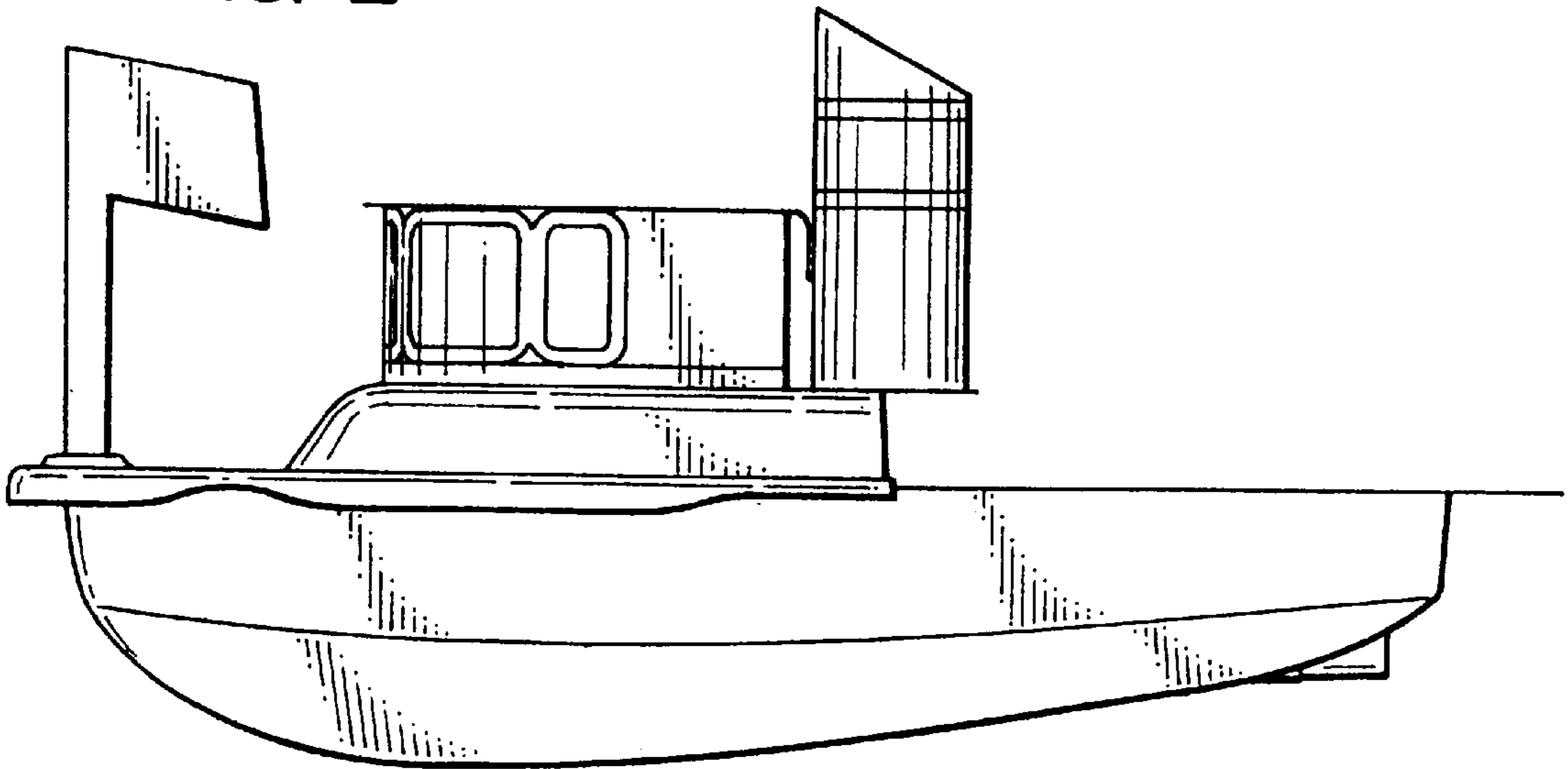


FIG. 3

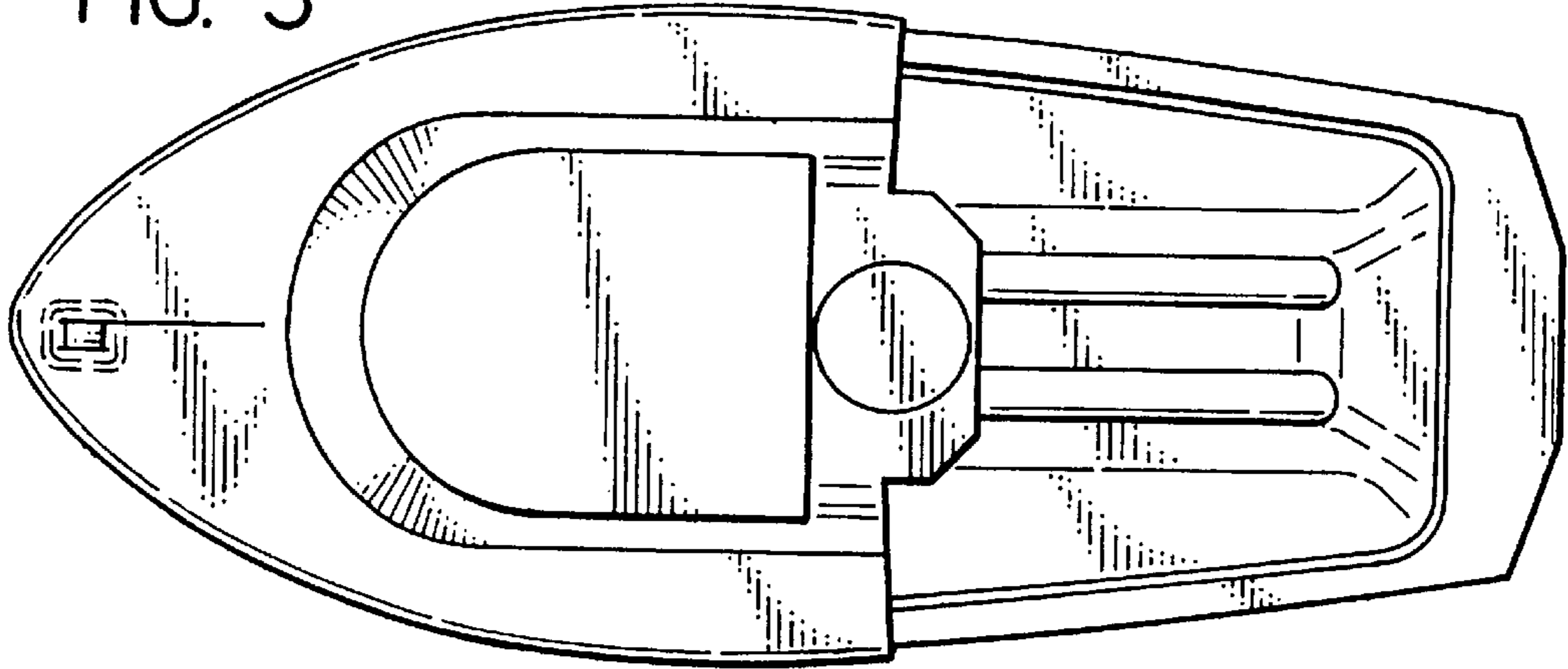


FIG. 4

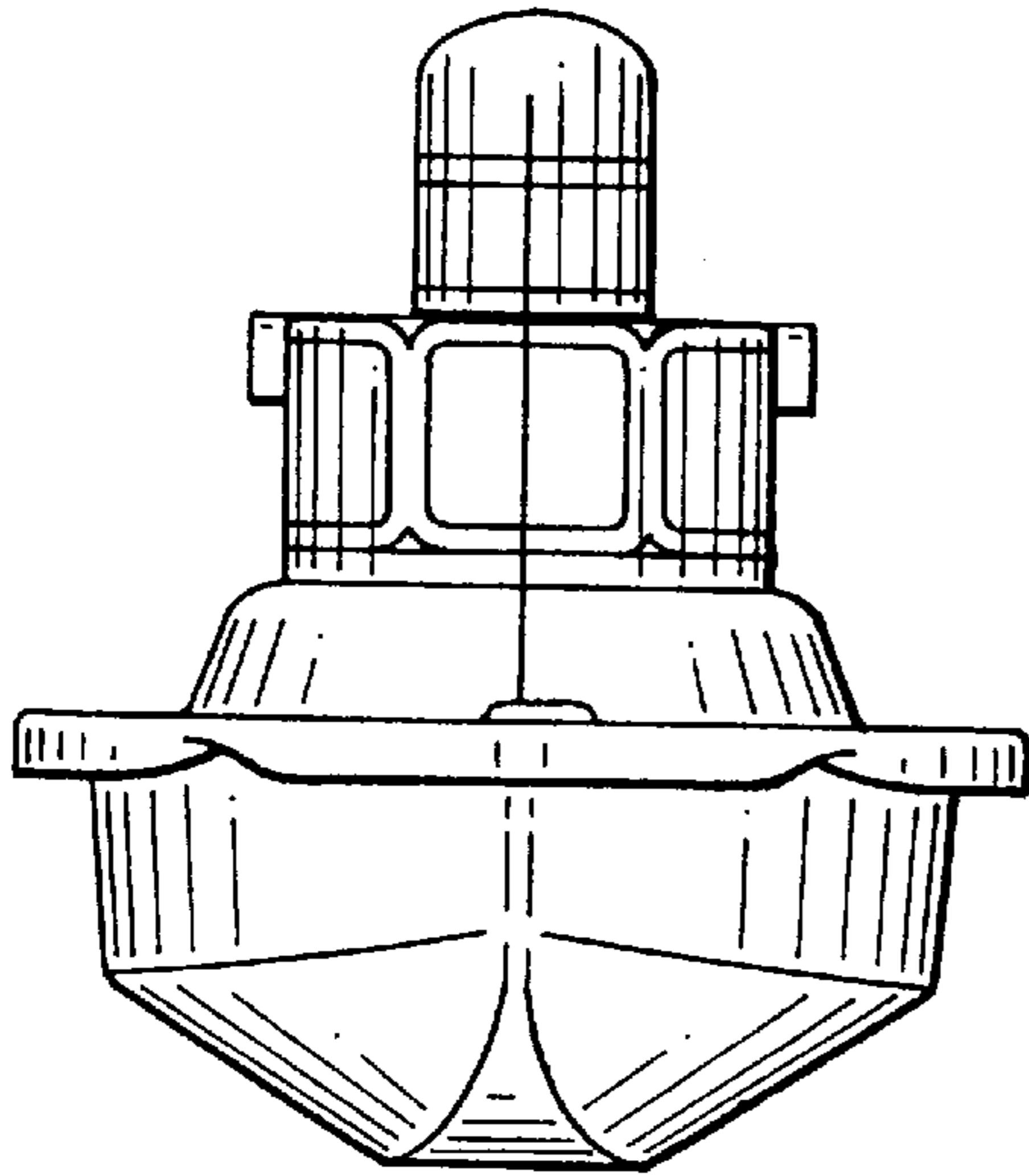


FIG. 5

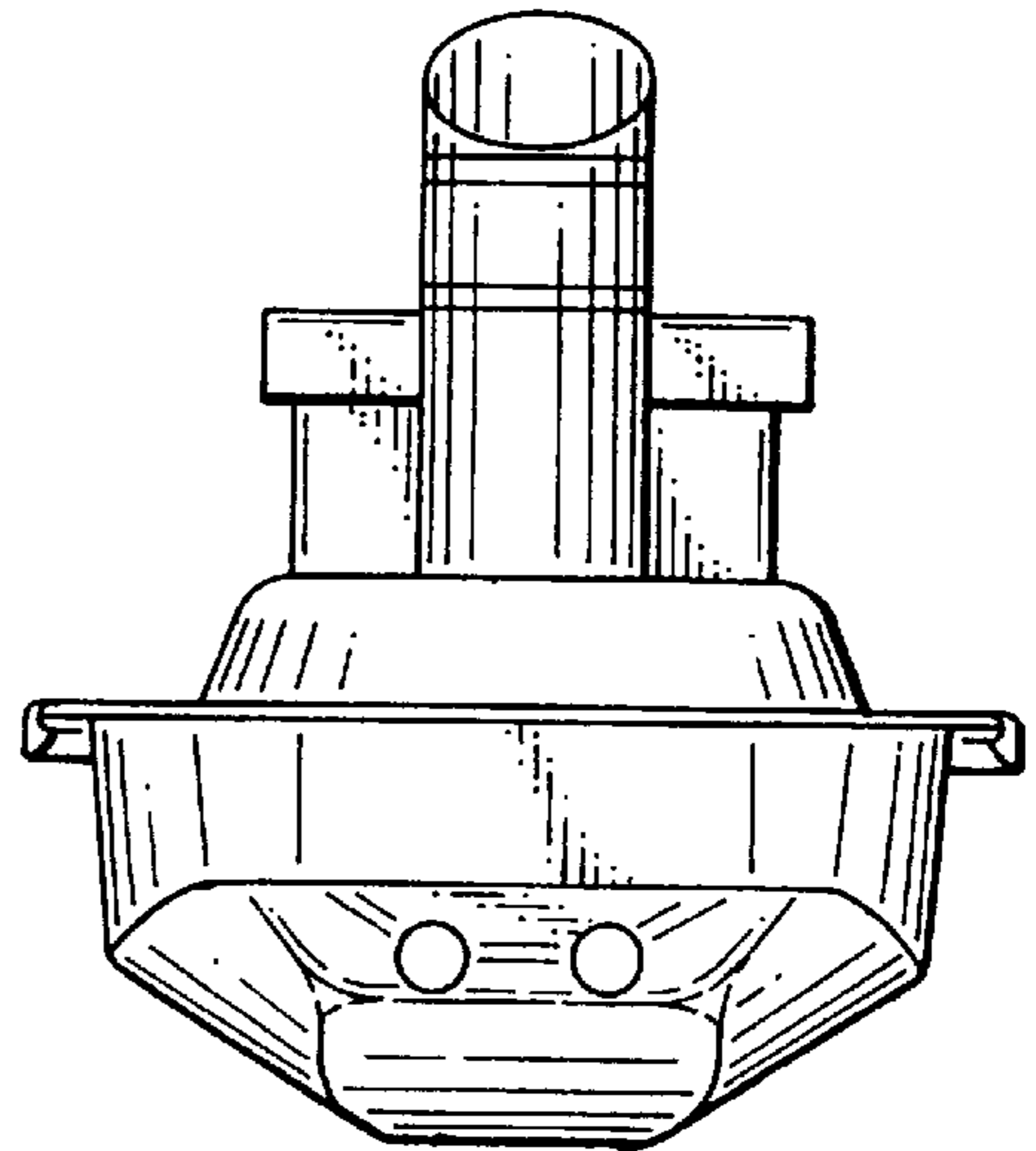


FIG. 6

