



US00D412189S

# United States Patent [19] Poulsen

[11] Patent Number: **Des. 412,189**

[45] Date of Patent: **\*\* Jul. 20, 1999**

[54] **TOY BUILDING ELEMENT**

[75] Inventor: **Ole Vestergaard Poulsen**, Vejle,  
Denmark

[73] Assignee: **INTERLEGO AG**, Baar, Switzerland

[\*\*] Term: **14 Years**

[21] Appl. No.: **29/093,738**

[22] Filed: **Sep. 17, 1998**

[30] **Foreign Application Priority Data**

Mar. 18, 1998 [DK] Denmark ..... MA 0297

[51] **LOC (6) Cl.** ..... **21-01**

[52] **U.S. Cl.** ..... **D21/502; D21/503**

[58] **Field of Search** ..... D21/483-505;  
D25/113-118; 446/85, 93-96, 102-107,  
110-113, 120-122, 124, 128

[56] **References Cited**

**U.S. PATENT DOCUMENTS**

D. 304,221 10/1989 Poulsen .

D. 332,641 1/1993 Skov ..... D21/504

D. 374,257 10/1996 Schmidt et al. .... D21/486  
D. 374,465 10/1996 Schmidt ..... D21/486  
1,355,975 10/1920 Hornby ..... D21/484  
4,690,656 9/1987 Friedman et al. .... 446/95  
4,998,903 3/1991 Bolli et al. .... 446/121  
5,518,434 5/1996 Ziegler ..... 446/106

*Primary Examiner*—Raphael Barkai  
*Attorney, Agent, or Firm*—Kone, Dalsimer, Sullivan,  
Kurucz, Levy, Eisele and Richard, LLP

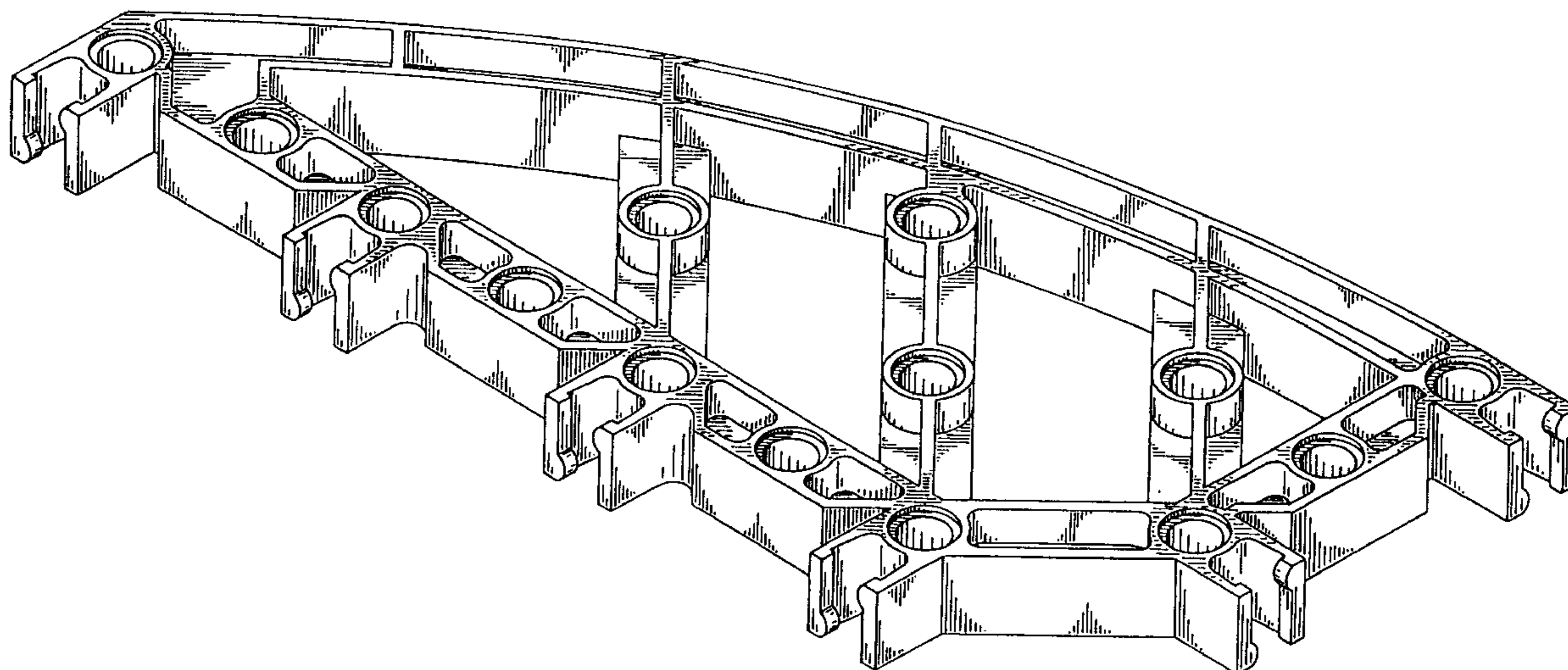
[57] **CLAIM**

The ornamental design for a toy building element, as shown and described.

**DESCRIPTION**

FIG. 1 is a top perspective view of the toy building element, FIG. 2 is a top plan view thereof, FIG. 3 is a front elevational view thereof, FIG. 4 is a bottom plan view thereof, FIG. 5 is a right side elevational view thereof, FIG. 6 is a left side elevational view thereof, FIG. 7 is a rear elevational view thereof; and, FIG. 8 is a bottom perspective view thereof.

**1 Claim, 5 Drawing Sheets**



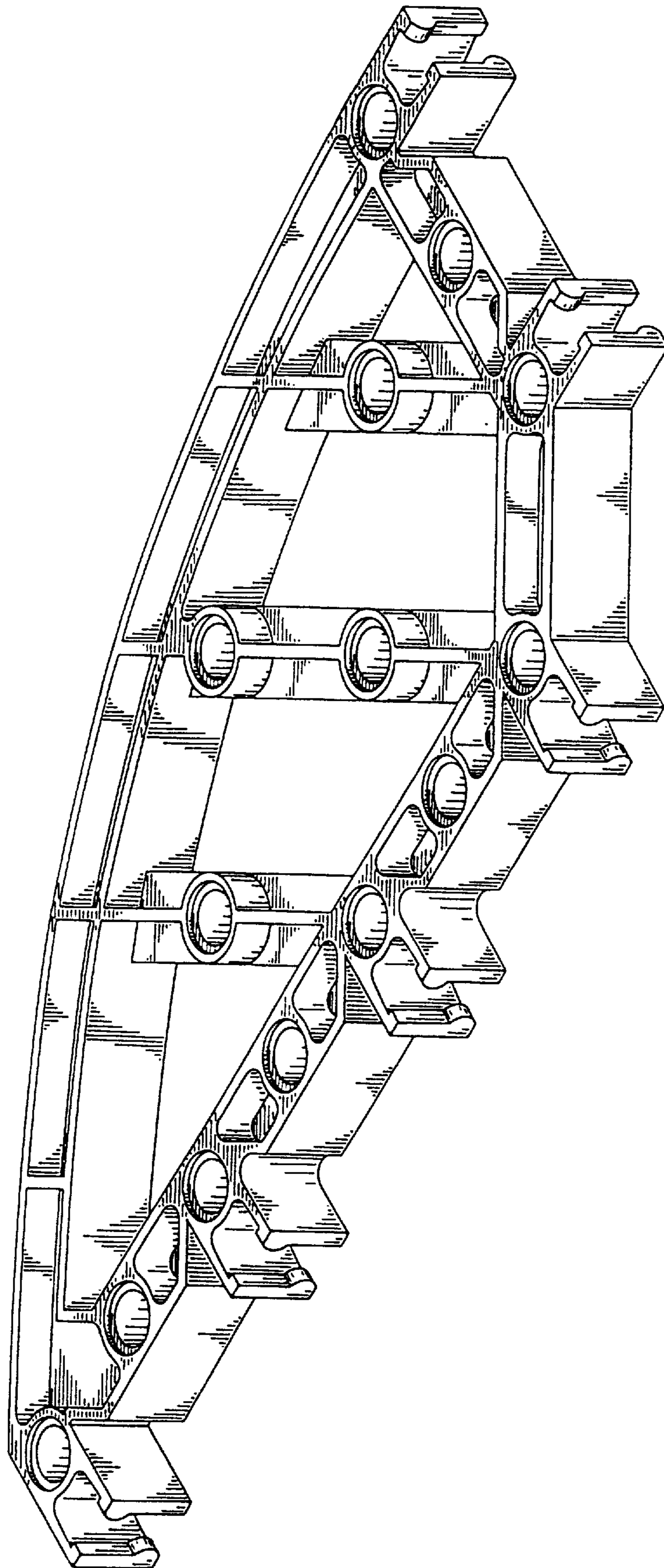


FIG. 1

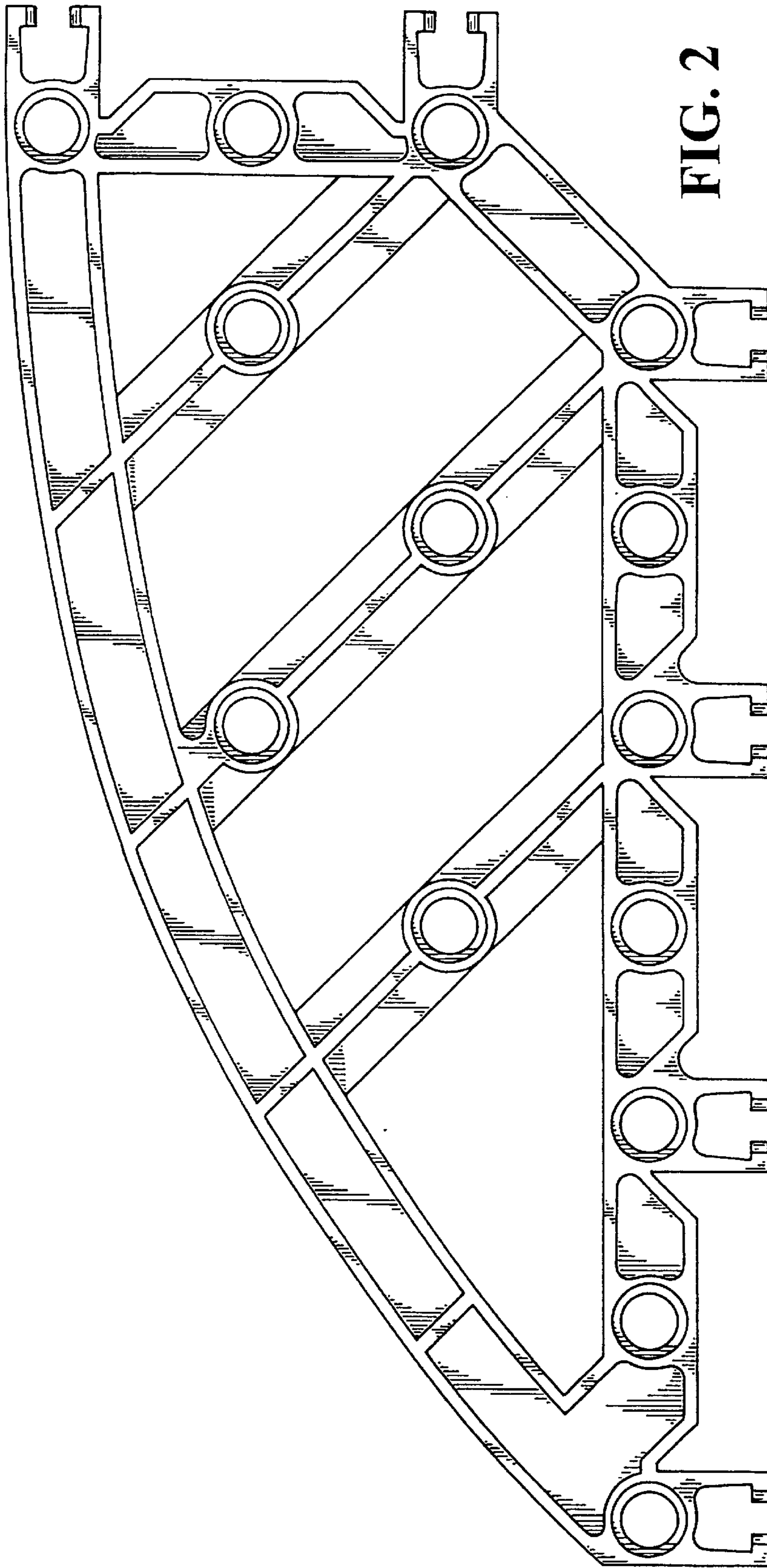


FIG. 2

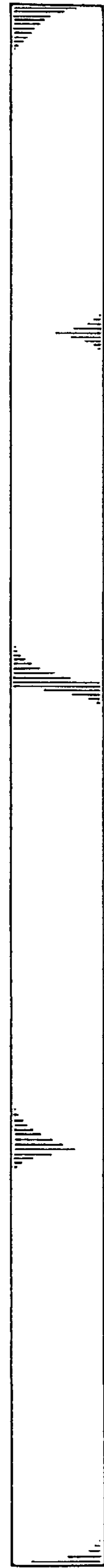


FIG. 7

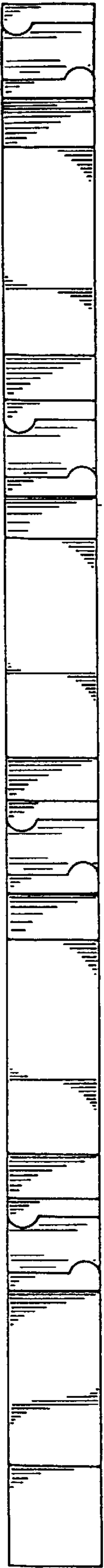


FIG. 3

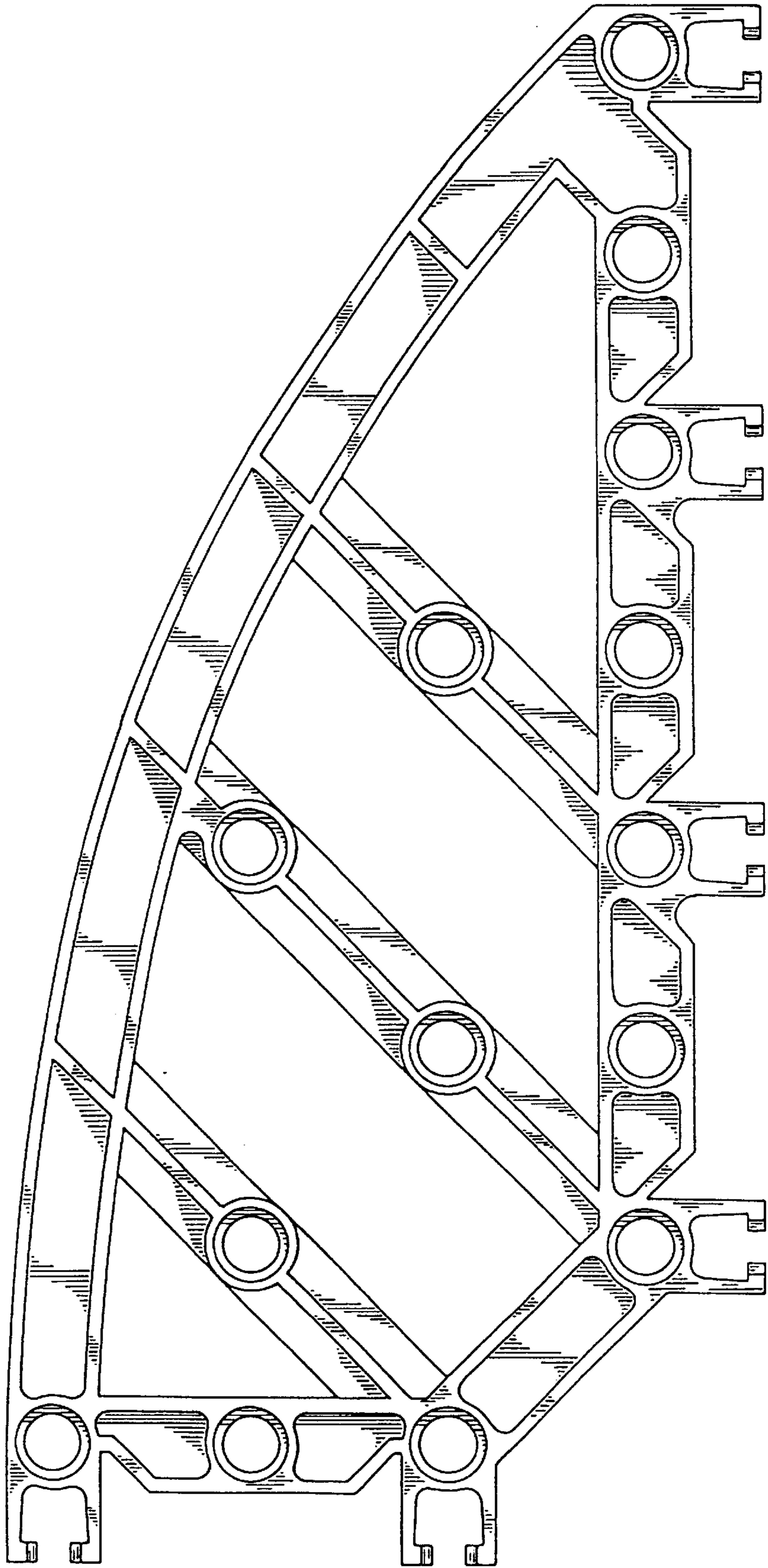


FIG. 4

FIG. 5

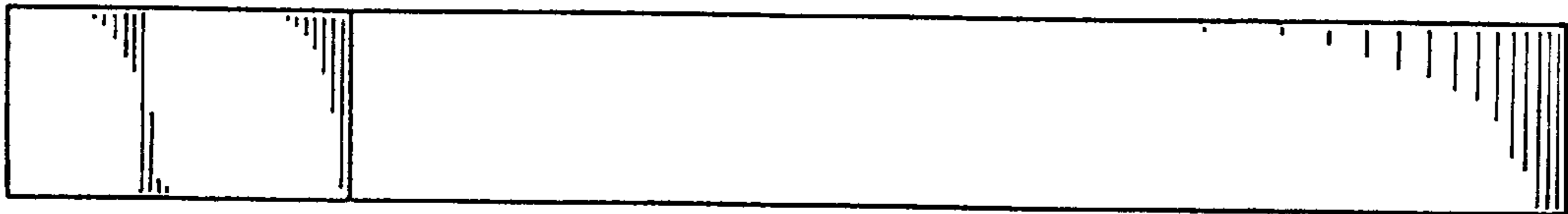
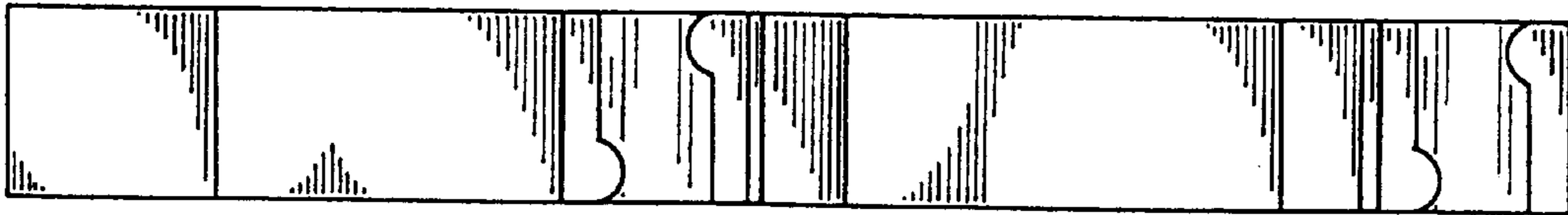


FIG. 6

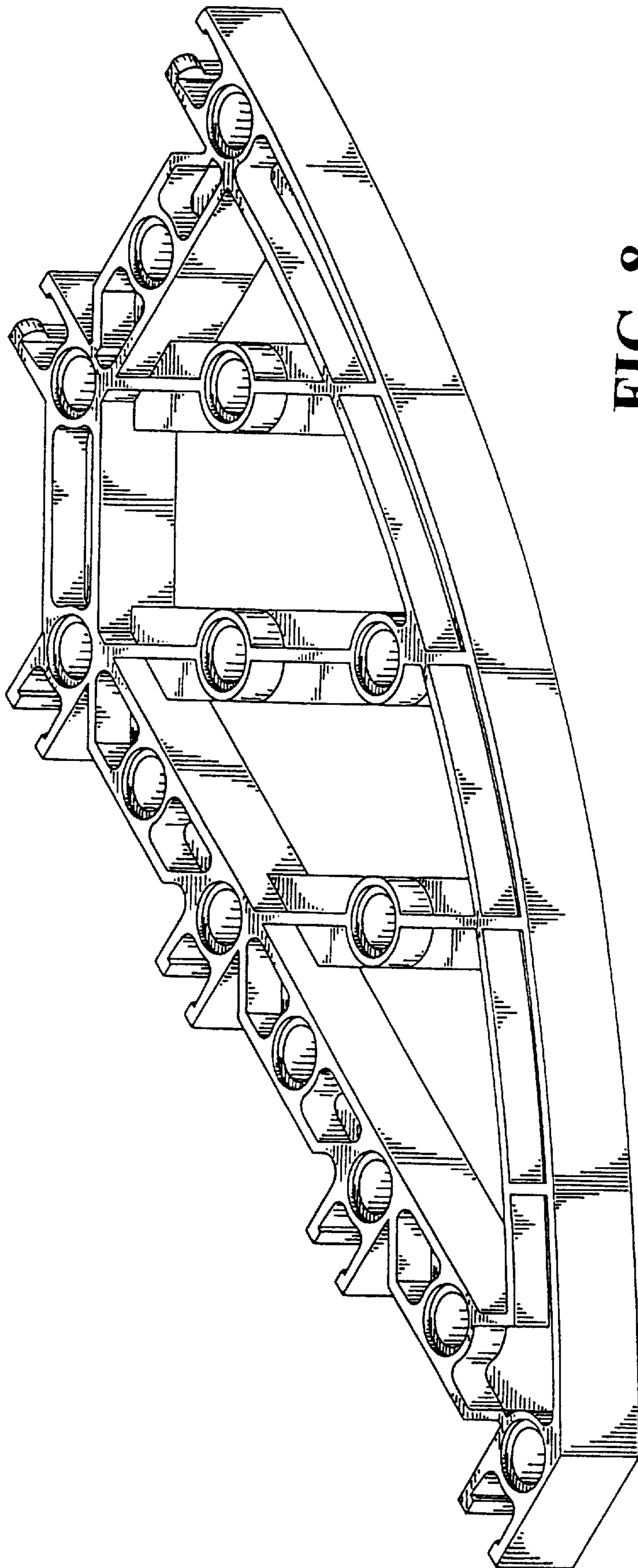


FIG. 8