



US00D412188S

# United States Patent [19]

Hadzicki et al.

[11] Patent Number: **Des. 412,188**

[45] Date of Patent: **\*\* Jul. 20, 1999**

[54] **YO-YO**

[76] Inventors: **Joseph R. Hadzicki**, 415 "I" St., Coronado, Calif. 92118; **David H. Hadzicki**, 11715 Treadwell Dr., Poway, Calif. 92064

[\*\*] Term: **14 Years**

[21] Appl. No.: **29/095,288**

[22] Filed: **Oct. 20, 1998**

[51] **LOC (6) Cl.** ..... **21-01**

[52] **U.S. Cl.** ..... **D21/464**

[58] **Field of Search** ..... D21/464; 446/261, 446/262

### [56] **References Cited**

#### U.S. PATENT DOCUMENTS

D. 39,757	1/1909	Cruver	.....	D21/464
1,291,752	2/1919	Breyer	.....	446/261
1,609,336	12/1926	Ward	.....	446/261
3,081,578	3/1963	Mosher	.....	446/261

*Primary Examiner*—Dominic Simone  
*Attorney, Agent, or Firm*—Baker & Maxham

### [57] **CLAIM**

The ornamental design for a yo-yo, as shown and described.

### **DESCRIPTION**

FIG. 1 is a right, front perspective view of a yo-yo showing our new design;

FIG. 2 is a right side elevational view thereof, the left side being a mirror image;

FIG. 3 is a front elevational view thereof, the rear being a mirror image;

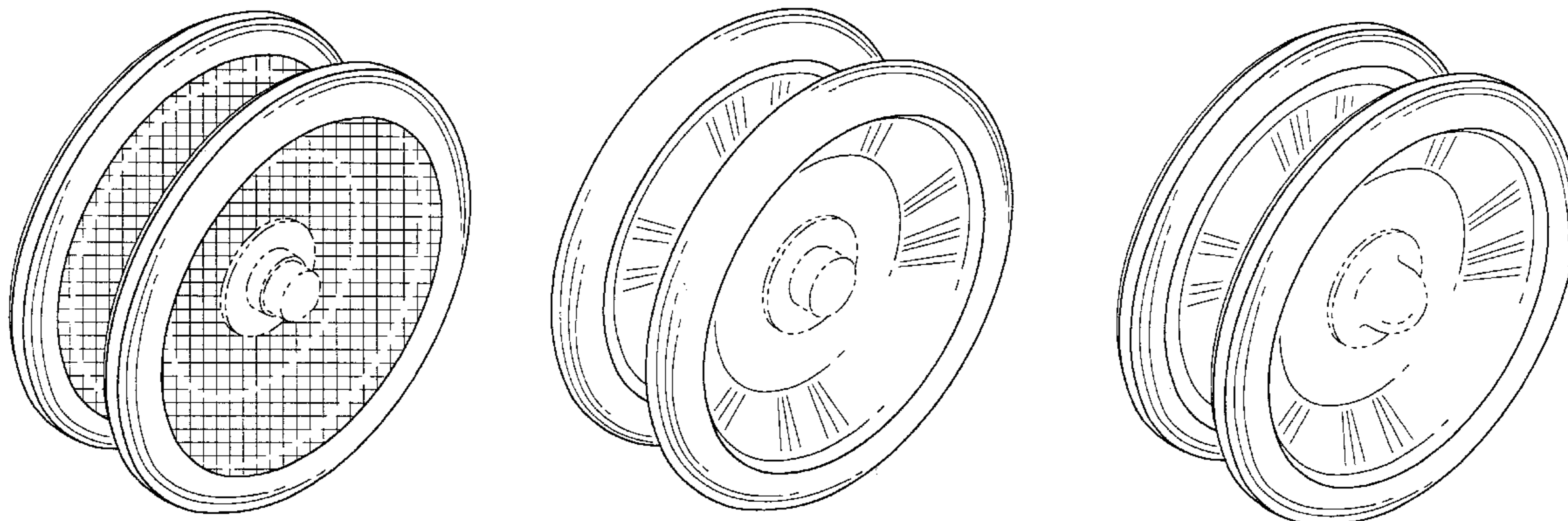
FIG. 4 is an enlarged cross-sectional view thereof;

FIG. 5 is a right, front perspective view of a second embodiment of FIG. 1; and,

FIG. 6 is a right, front perspective view of a third embodiment of FIG. 1.

The broken line disclosure is for illustrative purposes only and forms no part of the claimed design.

**1 Claim, 3 Drawing Sheets**



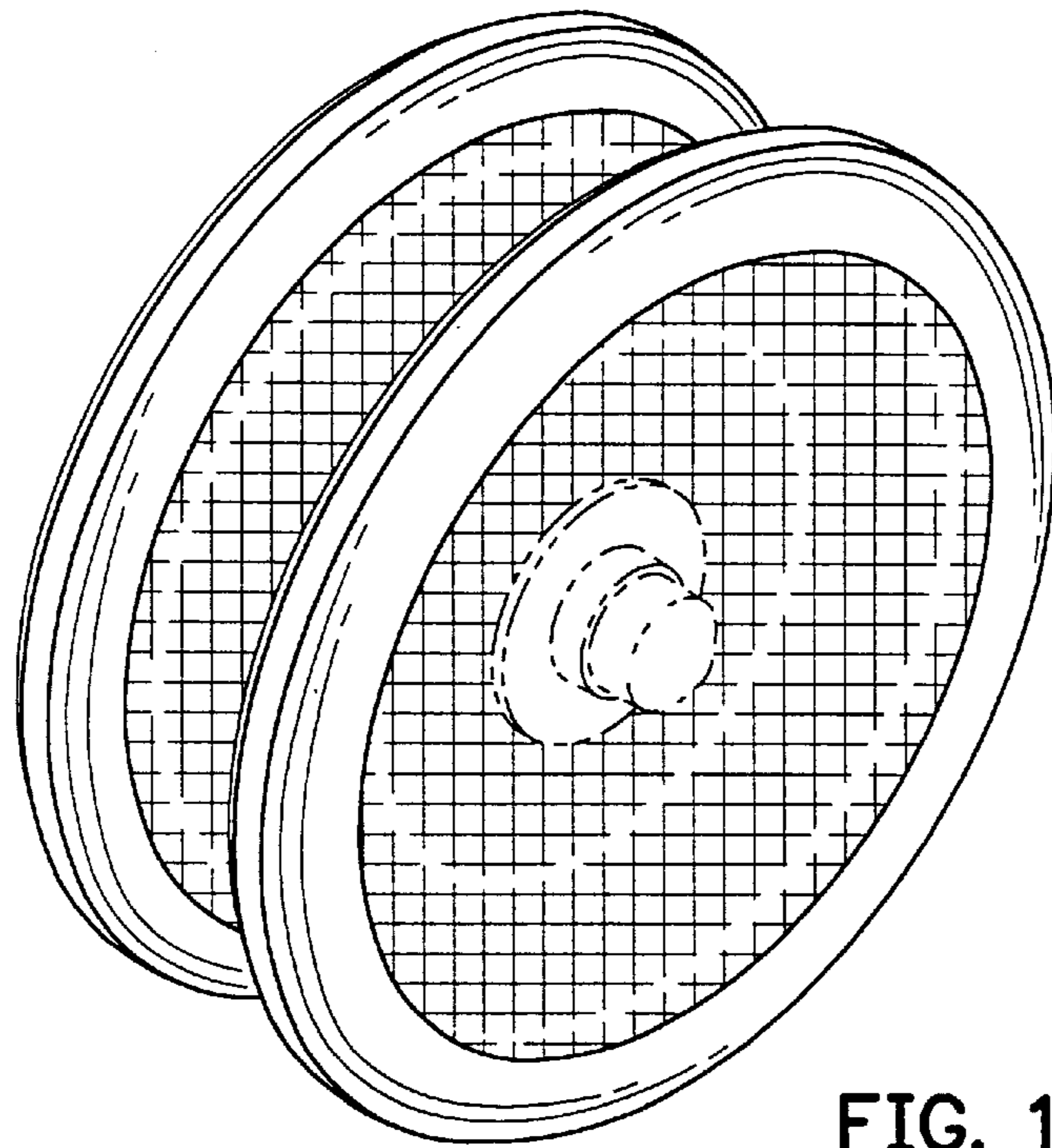


FIG. 1

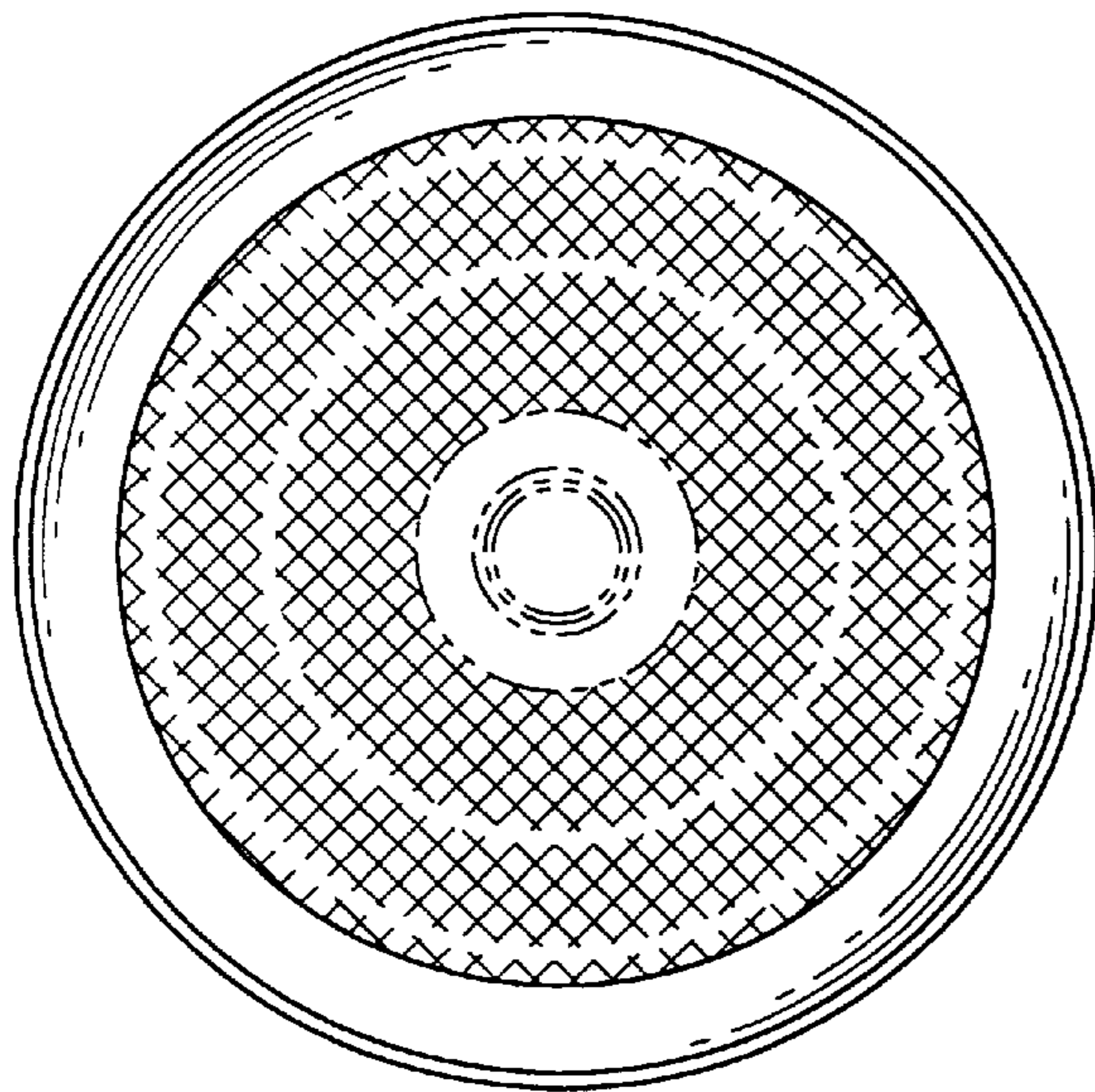


FIG. 2

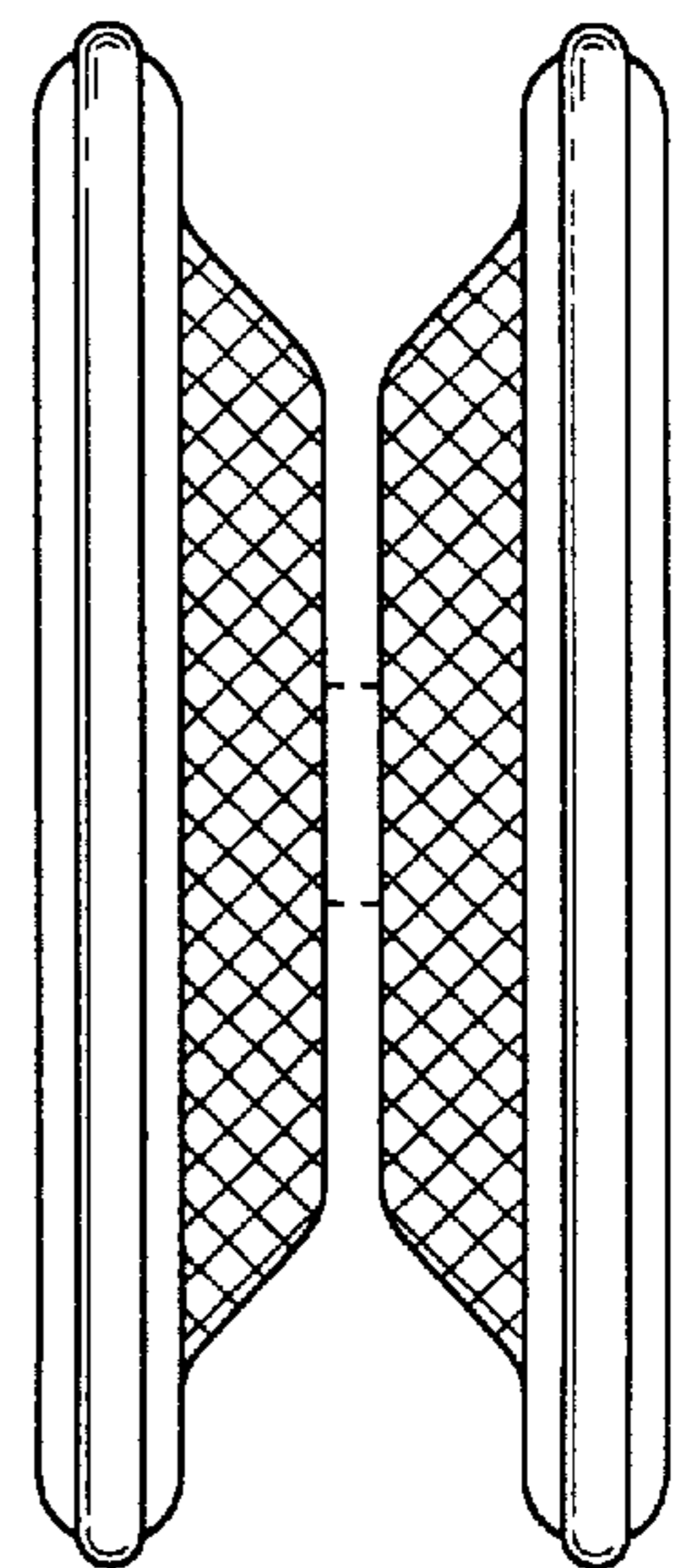


FIG. 3

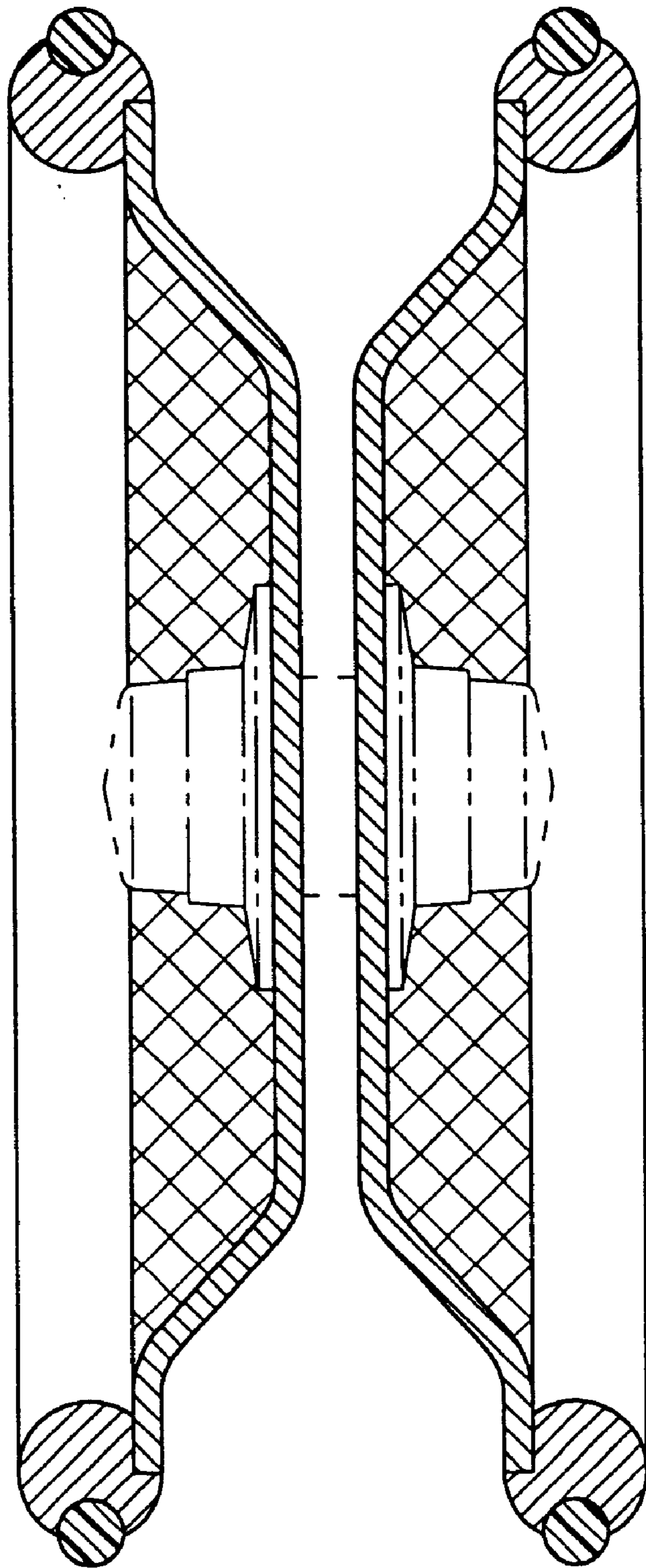


FIG. 4



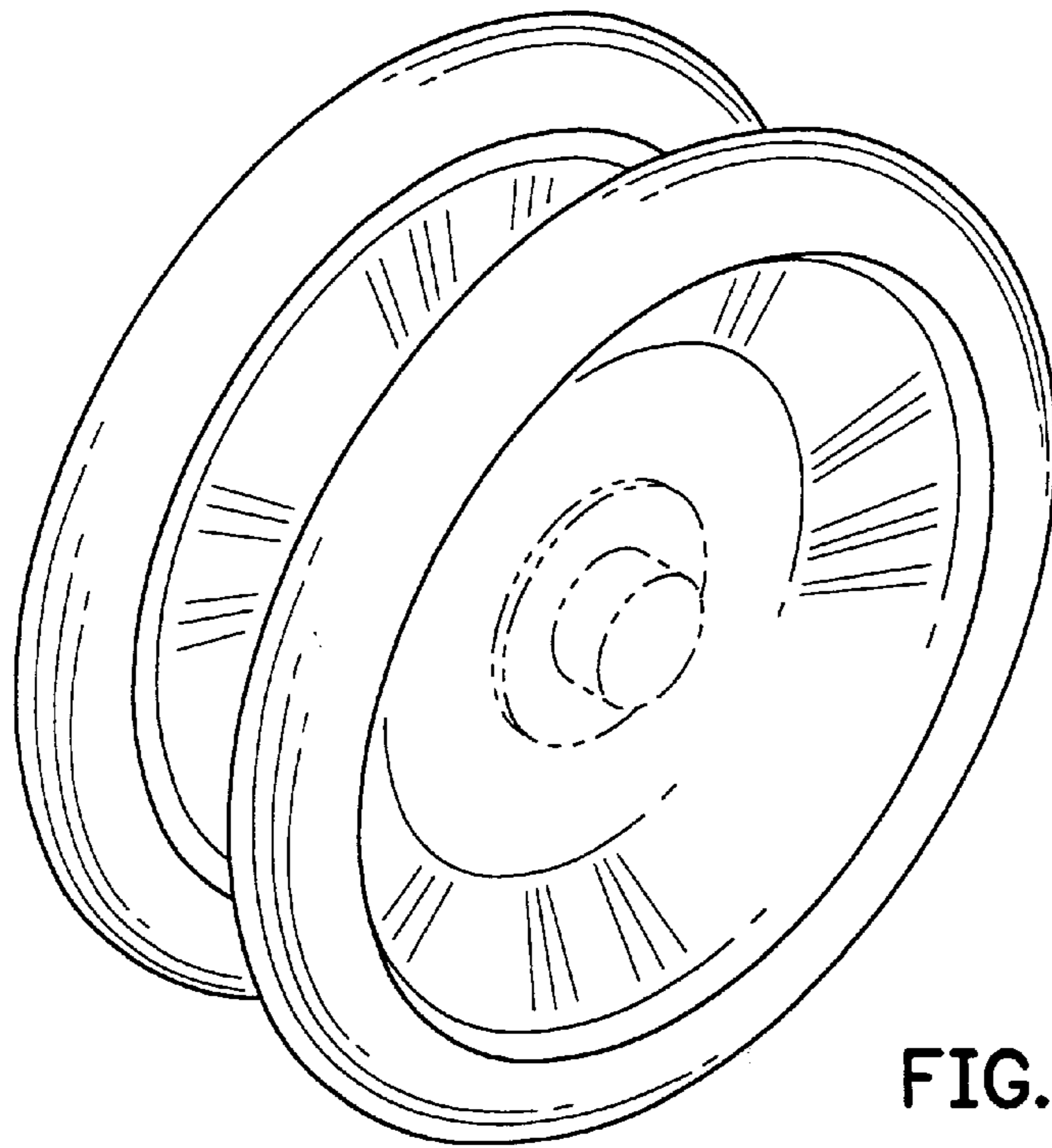


FIG. 5

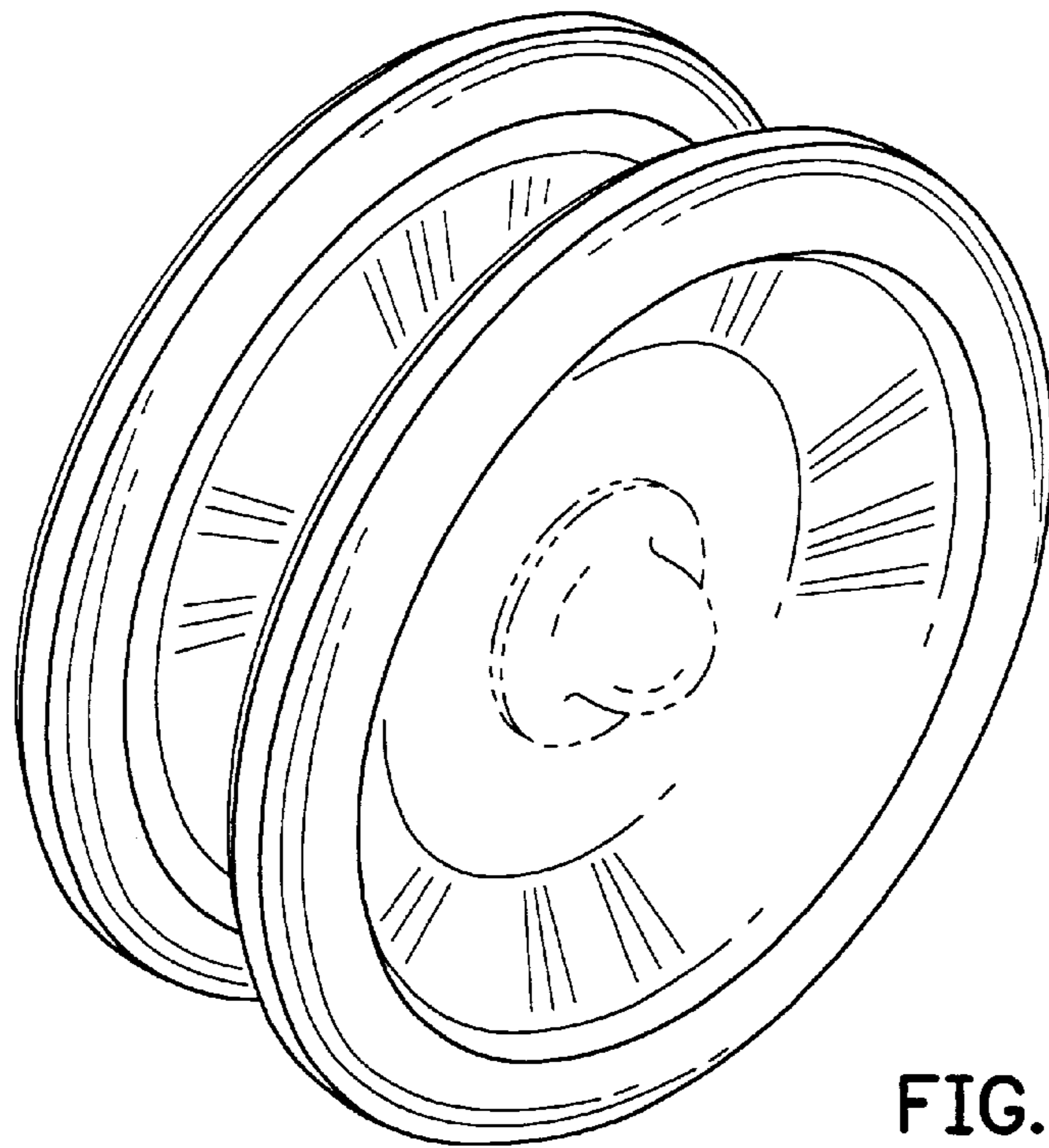


FIG. 6