



US00D412181S

# United States Patent [19] Harden

[11] Patent Number: Des. 412,181

[45] Date of Patent: \*\* Jul. 20, 1999

[54] COMBINED STAMPER AND CAP

[75] Inventor: Dan Harden, Palo Alto, Calif.

[73] Assignee: Shachihata Inc., Nagoya, Japan

[\*\*] Term: 14 Years

[21] Appl. No.: 29/072,834

[22] Filed: Jun. 30, 1997

[51] LOC (6) Cl. .... 19-02

[52] U.S. Cl. .... D18/14; D18/15

[58] Field of Search ..... D18/14-18; 118/264,  
118/268; 101/333, 327, 405, 406, 371-373,  
376

### [56] References Cited

#### U.S. PATENT DOCUMENTS

D. 323,527	1/1992	Weir et al.	.....	D18/15
D. 372,729	8/1996	Hewitt	.....	D18/18
D. 376,383	12/1996	Harden	.....	D18/14
D. 378,597	3/1997	Harden	.....	D18/14
D. 385,905	11/1997	Harden	.....	D18/15
D. 391,983	3/1998	Yamaguchi	.....	D18/15

#### OTHER PUBLICATIONS

Miller Office Products Catalog. p. 905, Custom Stamps, items "A" and "D", 1997.

Primary Examiner—Louis S. Zarfes

Assistant Examiner—G. Andoll

Attorney, Agent, or Firm—Evenson, McKeown, Edwards & Lenahan, PLLC

### [57] CLAIM

The ornamental design for a combined stamper and cap, as shown and described.

### DESCRIPTION

FIG. 1 is a top, front and right side perspective view of a combined stamper and cap, showing my new design;

FIG. 2 is an exploded view of FIG. 1;

FIG. 3 is a bottom, rear and left side perspective view of the stamper portion of the combined stamper and cap;

FIG. 4 is a front view of the combined stamper and cap, the rear view being a mirror image thereof;

FIG. 5 is a top plan view of the combined stamper and cap;

FIG. 6 is a bottom plan view of the combined stamper and cap;

FIG. 7 is a right side view of the combined stamper and cap, the left side view being a mirror image thereof;

FIG. 8 is a bottom plan view of the stamper portion of the combined stamper and cap; and,

FIG. 9 is a top plan view of the cap portion of the combined stamper and cap.

1 Claim, 4 Drawing Sheets

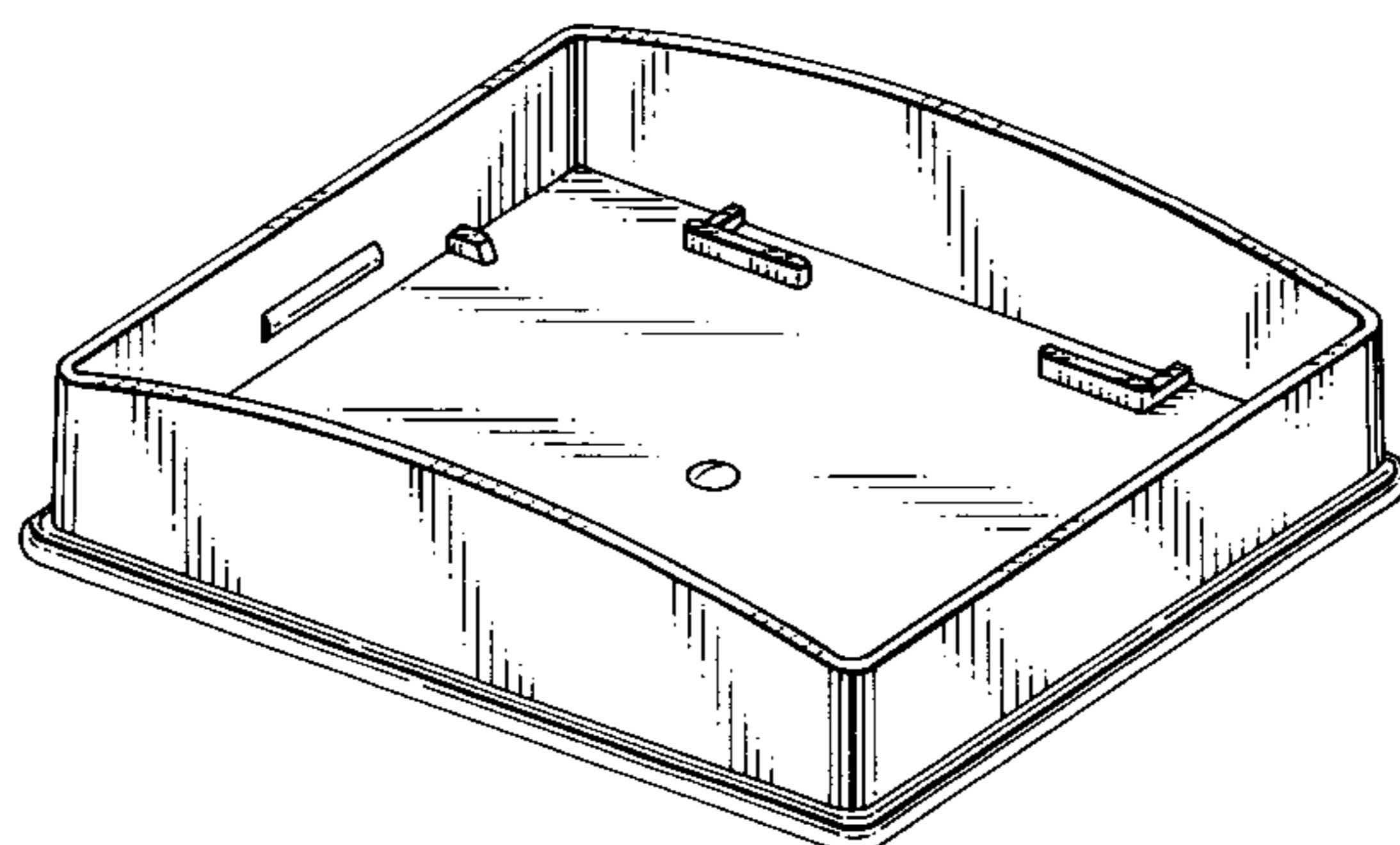
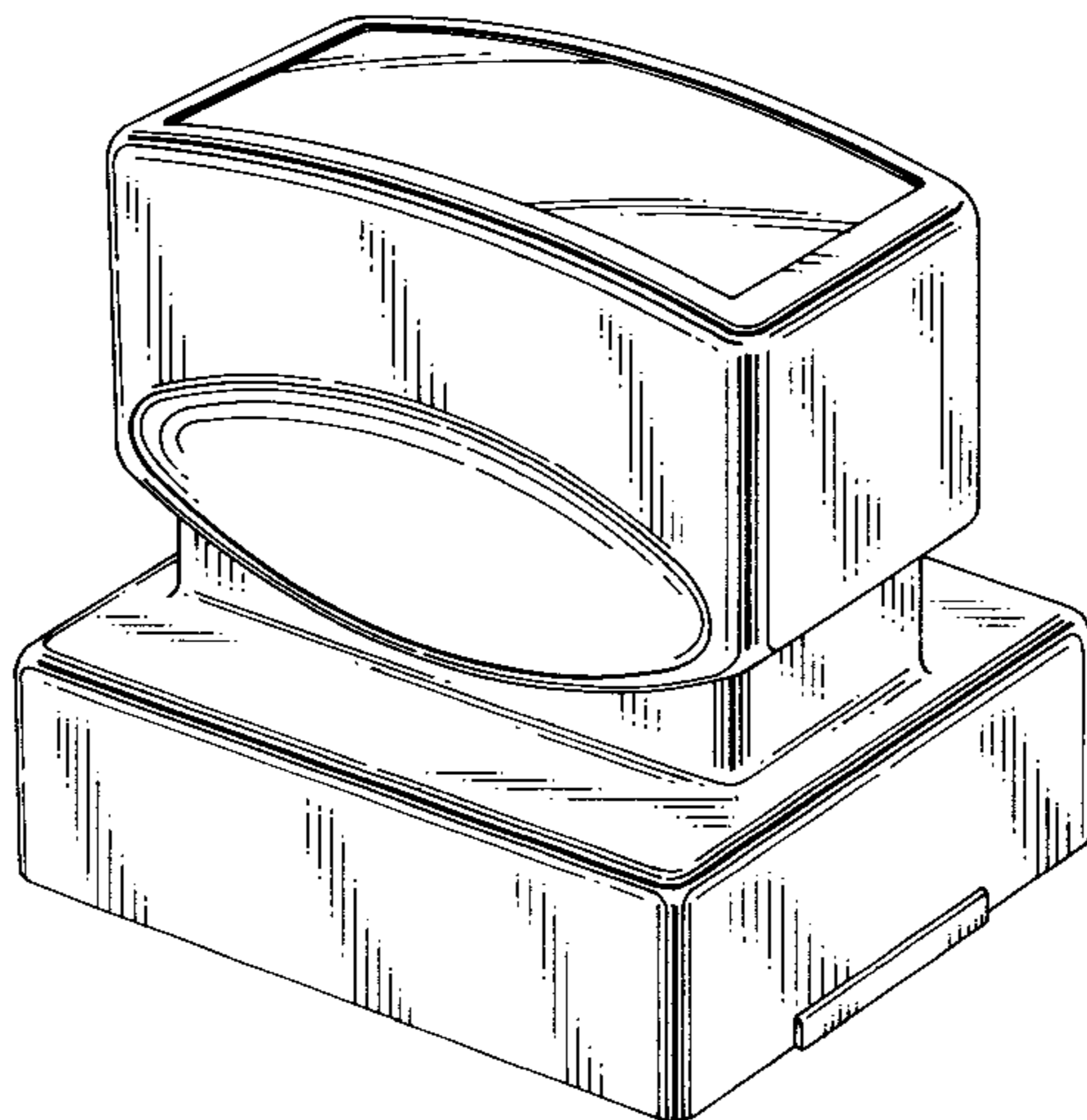


FIG. 1

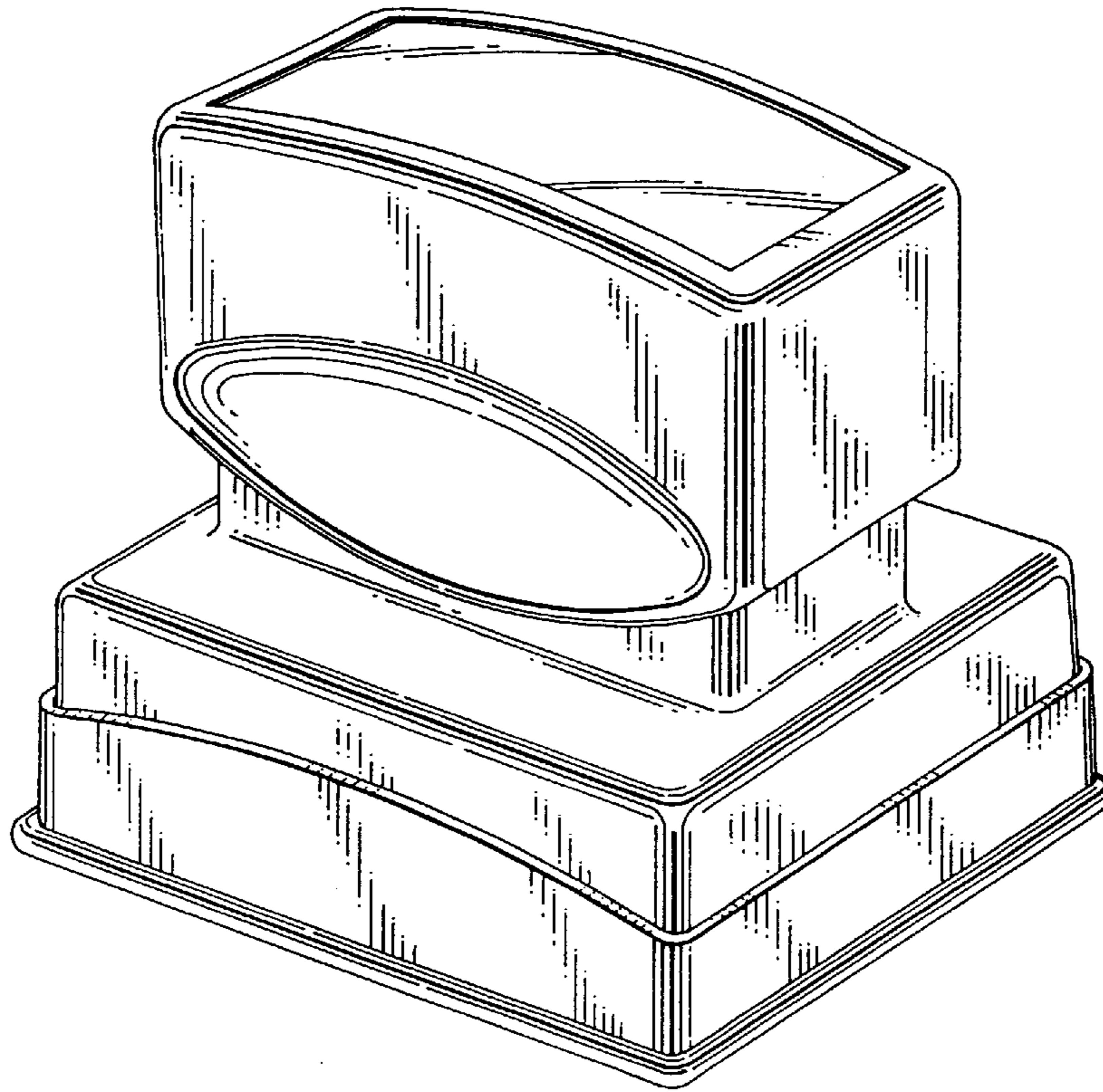


FIG. 3

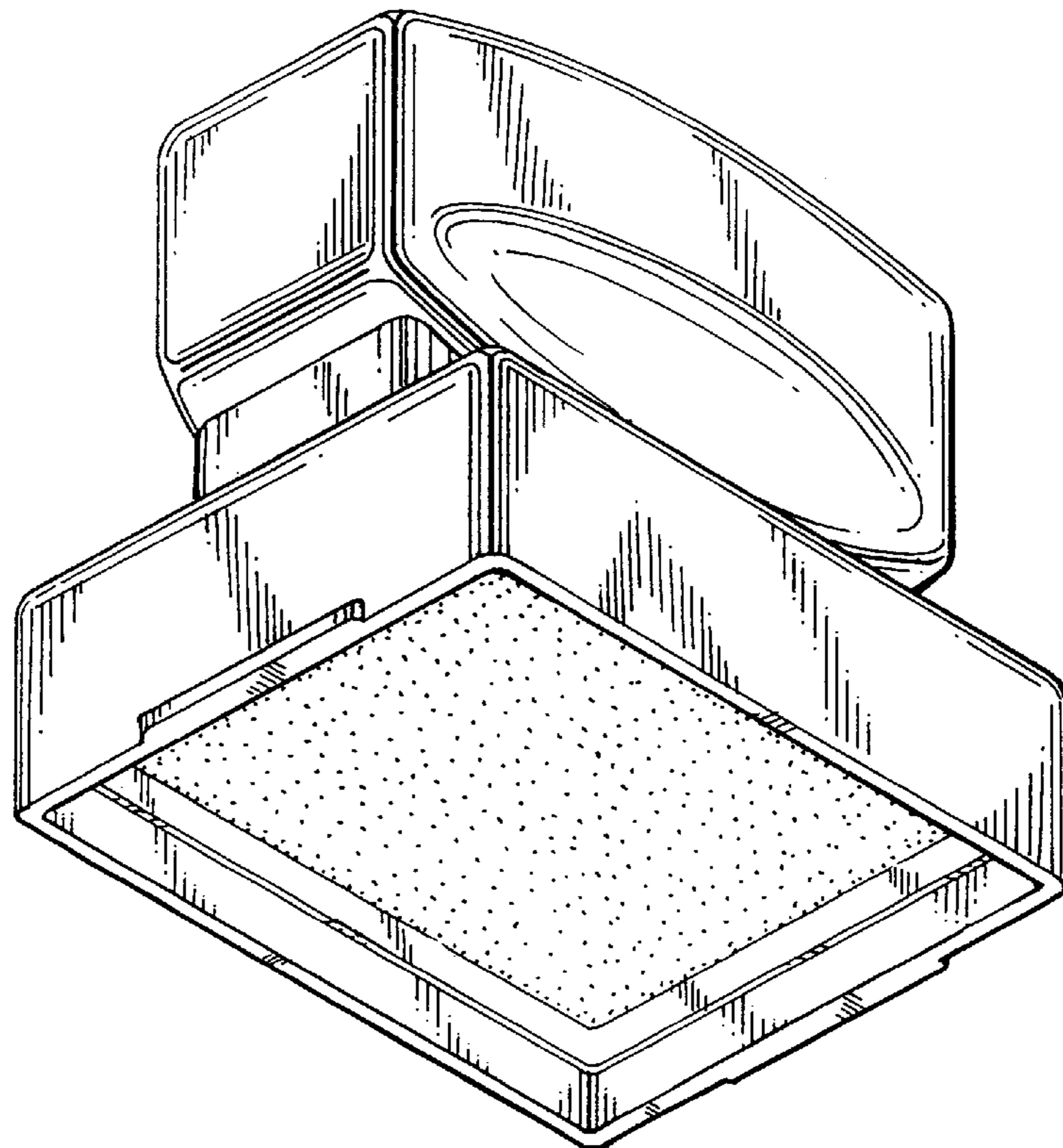


FIG. 2

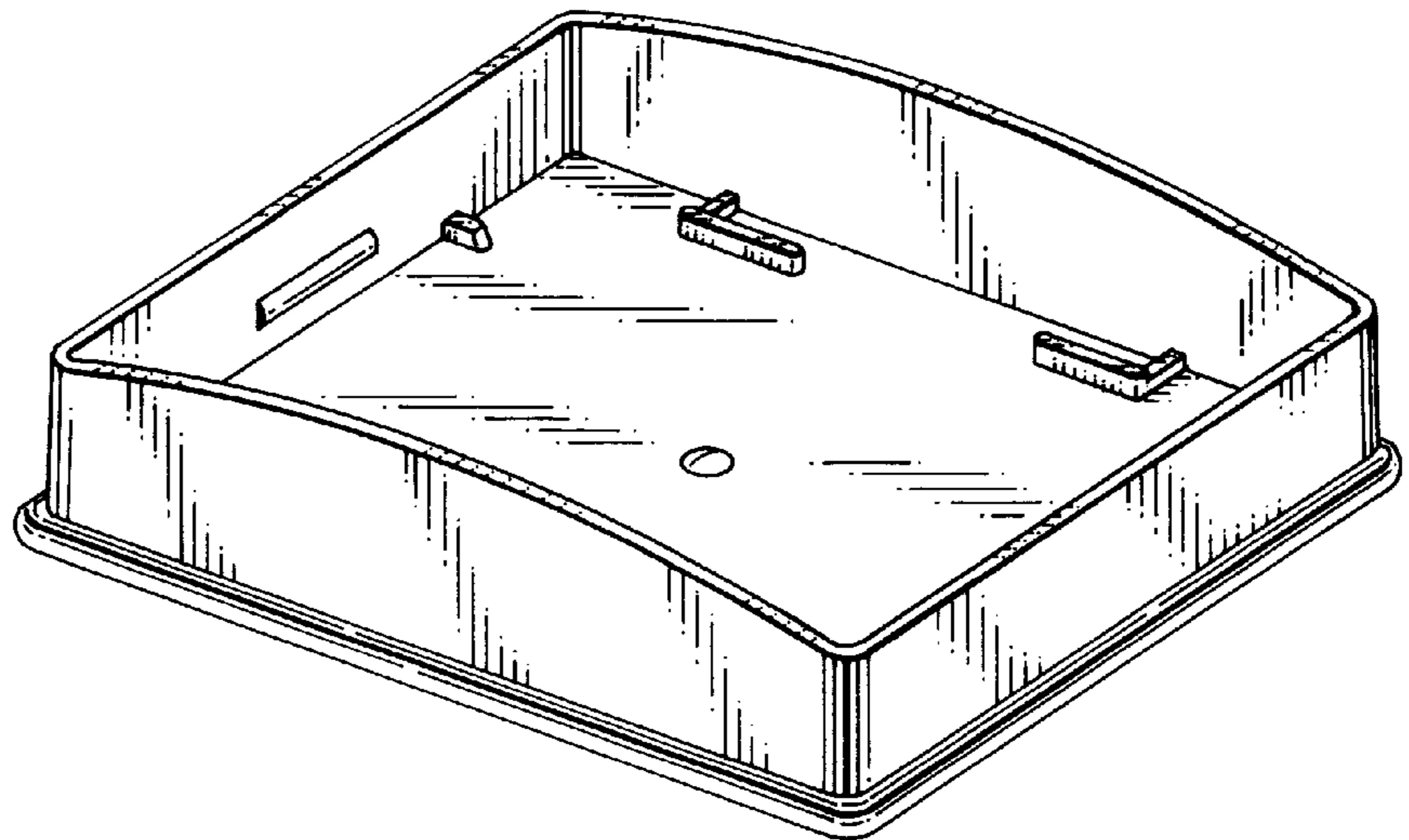
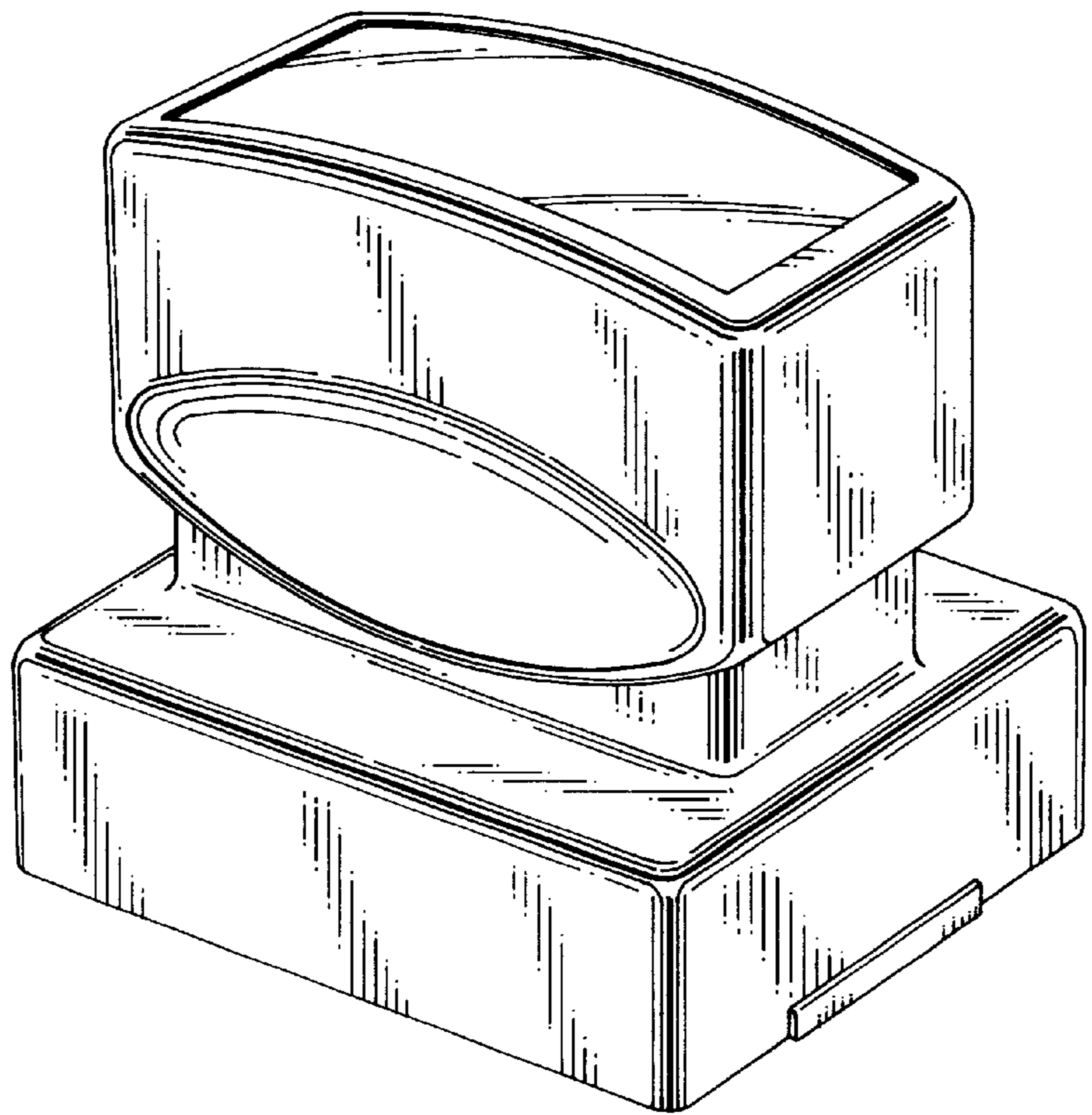




FIG. 4

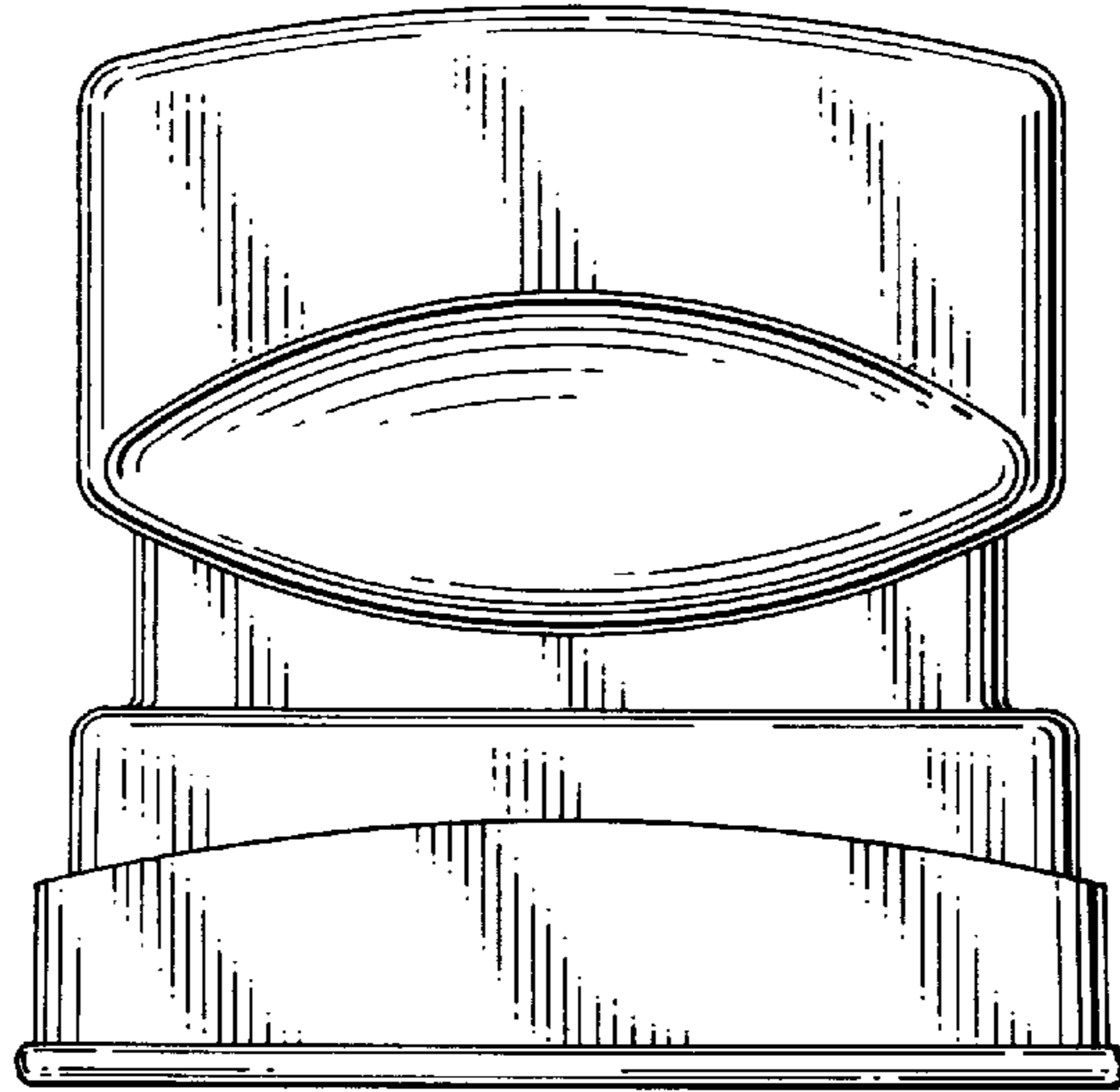


FIG. 5

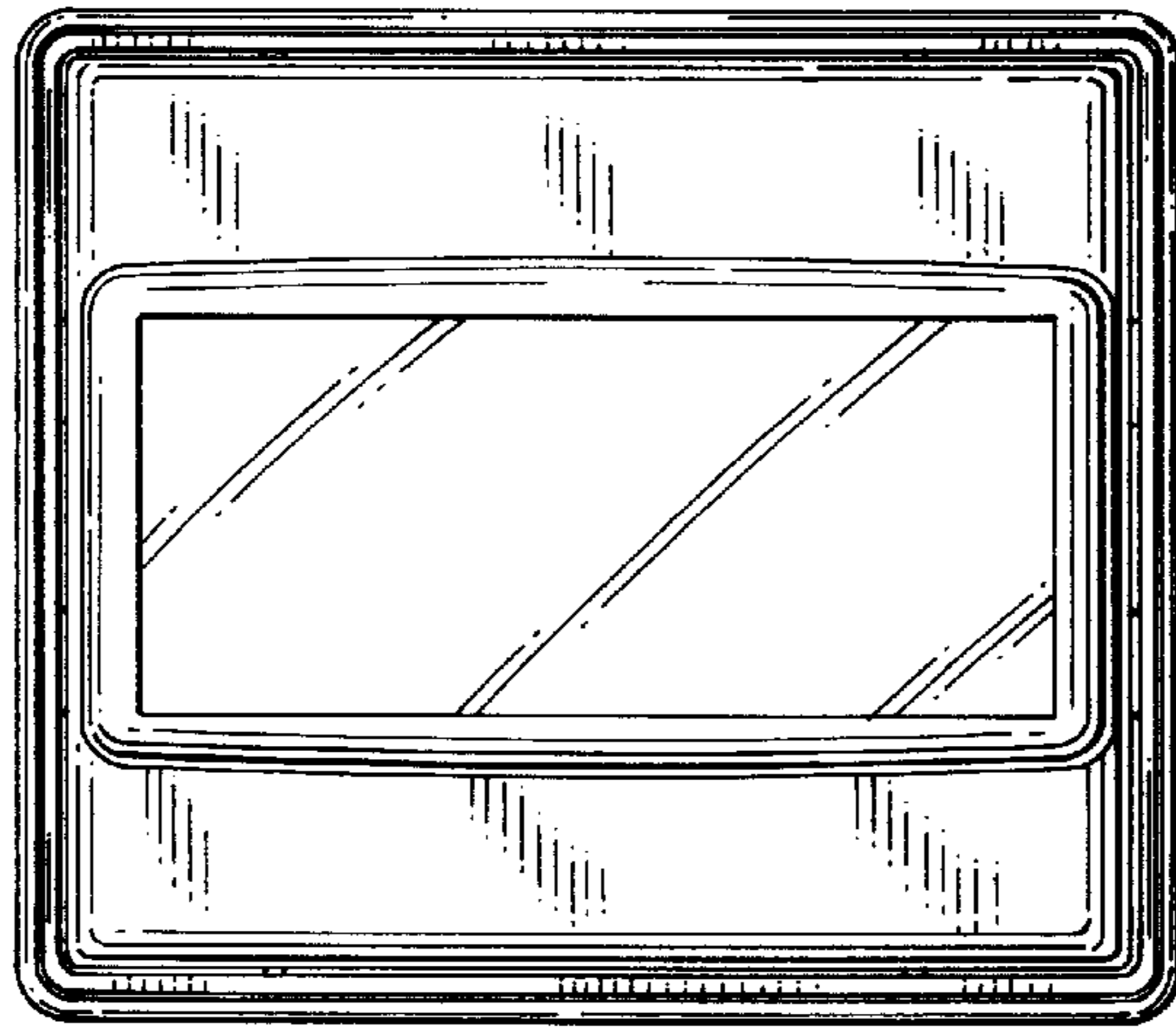


FIG. 6

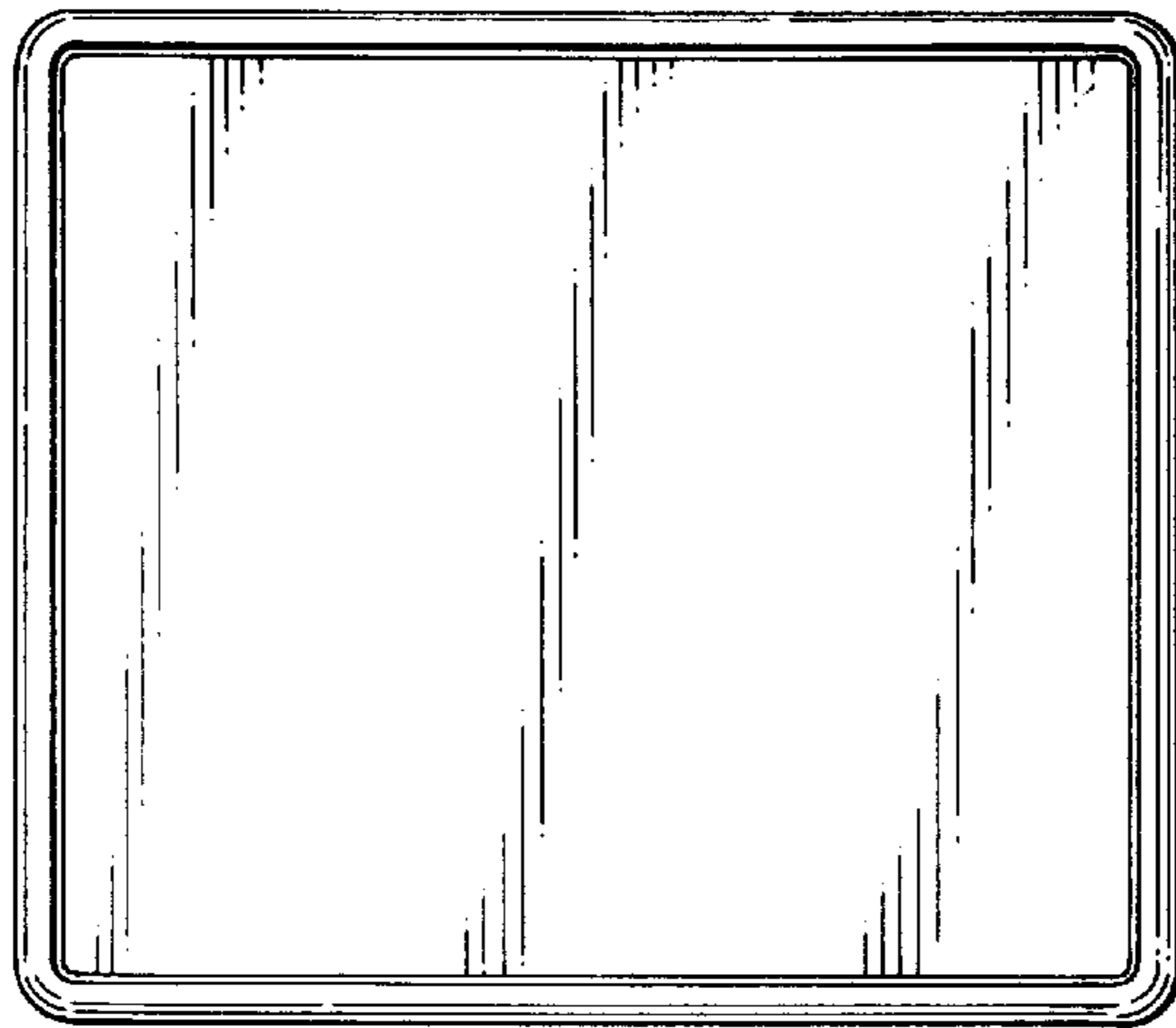


FIG. 7

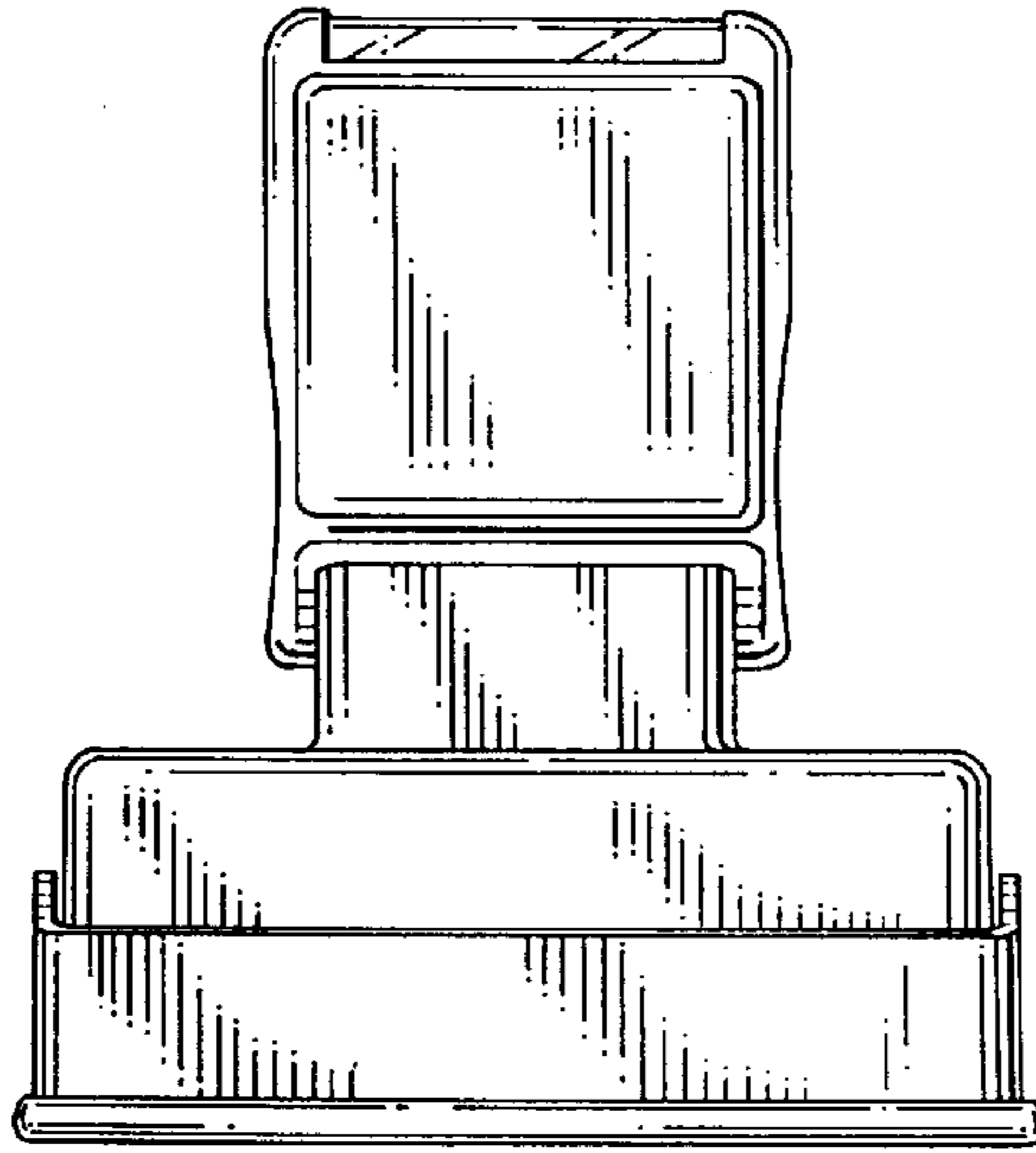


FIG. 8

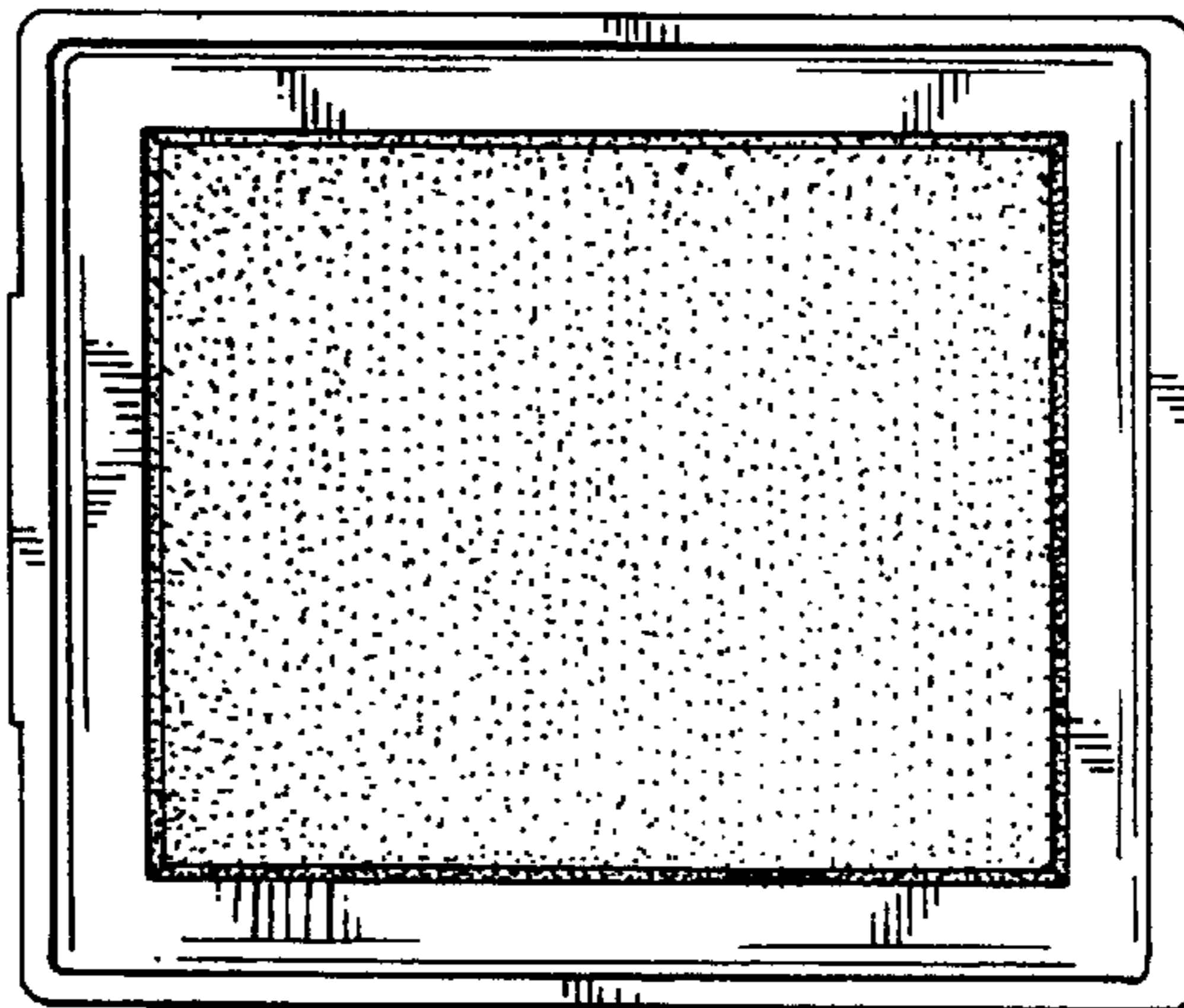


FIG. 9

