



US00D412178S

United States Patent [19]
Kobayashi

[11] **Patent Number: Des. 412,178**
[45] **Date of Patent: ** Jul. 20, 1999**

[54] **COMBINED VIDEO TAPE RECORDER AND CAMERA**

[75] Inventor: **Masaharu Kobayashi**, Tokyo, Japan

[73] Assignee: **Sony Corporation**, Tokyo, Japan

[**] Term: **14 Years**

[21] Appl. No.: **29/083,286**

[22] Filed: **Feb. 9, 1998**

[51] **LOC (6) Cl.** **16-01**

[52] **U.S. Cl.** **D16/202**

[58] **Field of Search** D16/200-208;
348/373-376; 352/242, 243; 358/906; 396/535-543

[56] **References Cited**

U.S. PATENT DOCUMENTS

D. 355,664	2/1995	Kataoka	D16/202
D. 375,108	10/1996	Harata	D16/202
D. 376,166	12/1996	Ishii	D16/202
D. 384,085	9/1997	Harata	D16/202
5,499,052	3/1996	Nakanishi et al.	348/373

OTHER PUBLICATIONS

Catalog "87", pp. 6, 7, 8 & 9, Sony (Nov. 1997).

Primary Examiner—Adir Aronovich
Attorney, Agent, or Firm—Foley & Lardner

[57] **CLAIM**

The ornamental design for a combined video tape recorder and camera, as shown and described.

DESCRIPTION

FIG. 1 is a top, front perspective view of a combined video tape recorder and camera showing my new design;

FIG. 2 is a top, rear perspective view thereof, the viewing screen shown in an extending away position;

FIG. 3 is a top, rear perspective view of thereof, the viewing screen shown in the first alternate position;

FIG. 4 is a top, rear perspective view thereof, the viewing screen shown in the second alternate position; and

FIG. 5 is a top, rear perspective view thereof, the viewing screen shown in the third alternate position;

FIG. 6 is a top plan view thereof;

FIG. 7 is a left side elevational view thereof;

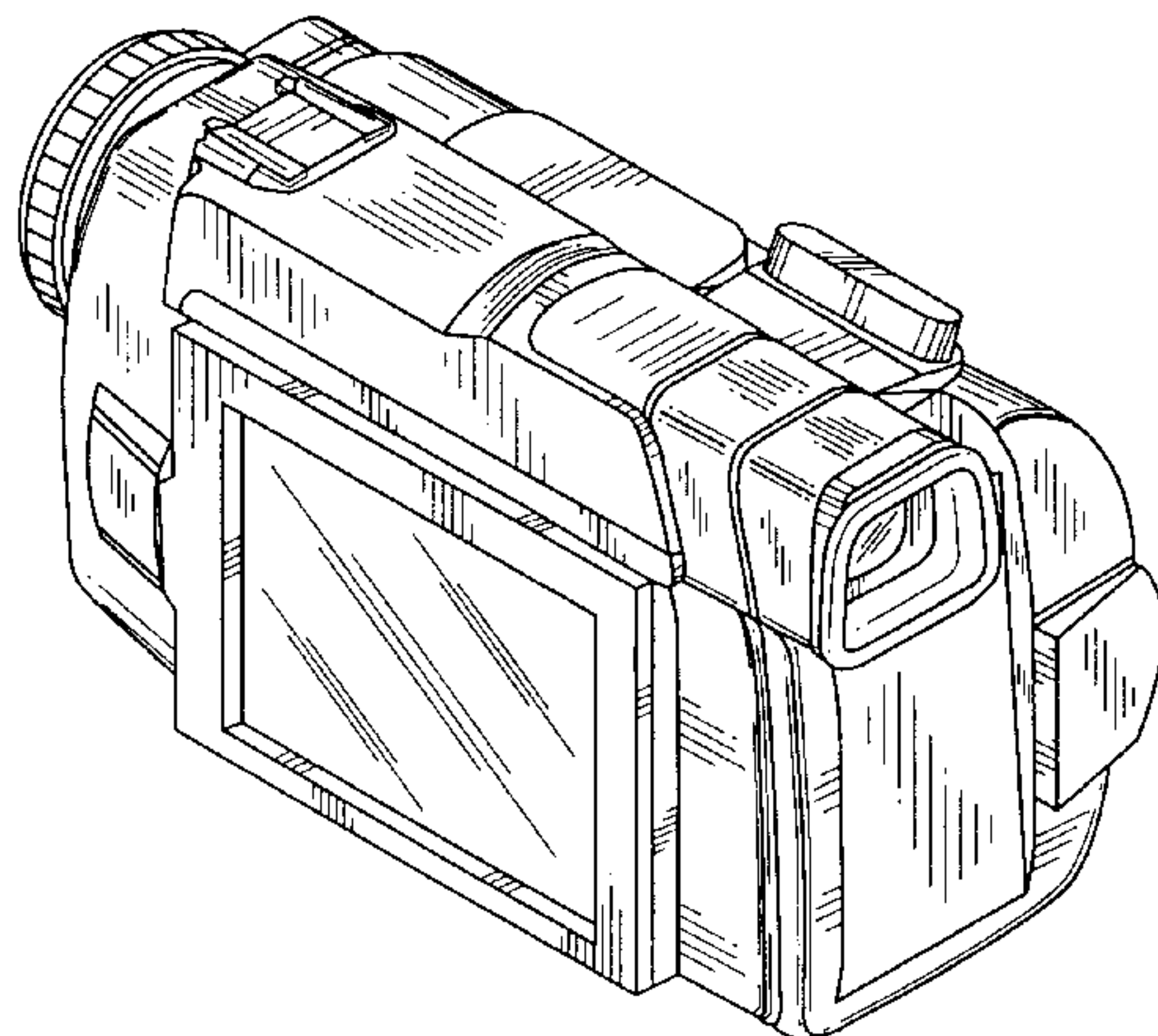
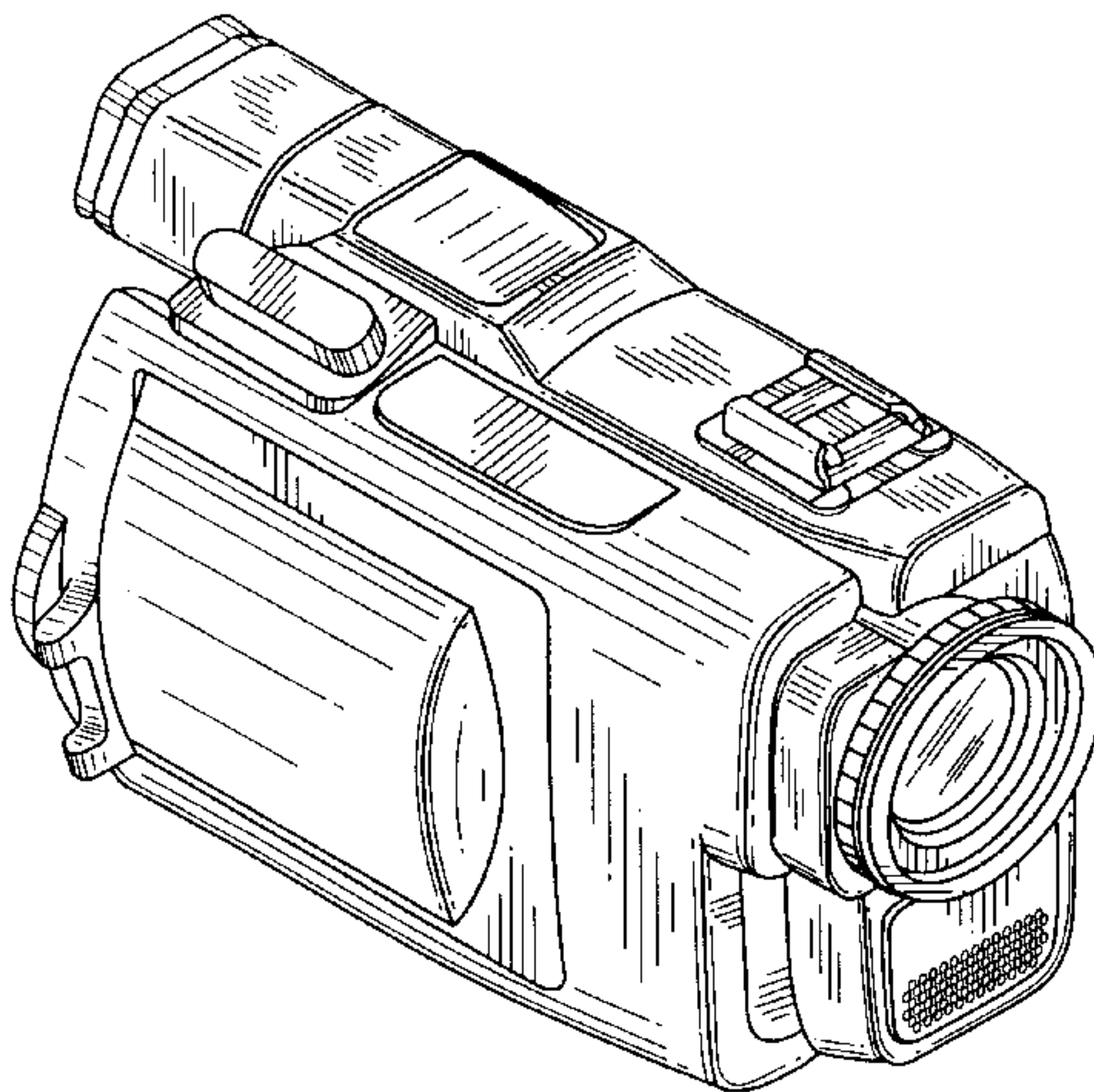
FIG. 8 is a front elevational view thereof;

FIG. 9 is a right side elevational view thereof;

FIG. 10 is a rear elevational view thereof; and,

FIG. 11 is a top, front perspective view thereof, wherein the cover portion is in an open position.

1 Claim, 6 Drawing Sheets



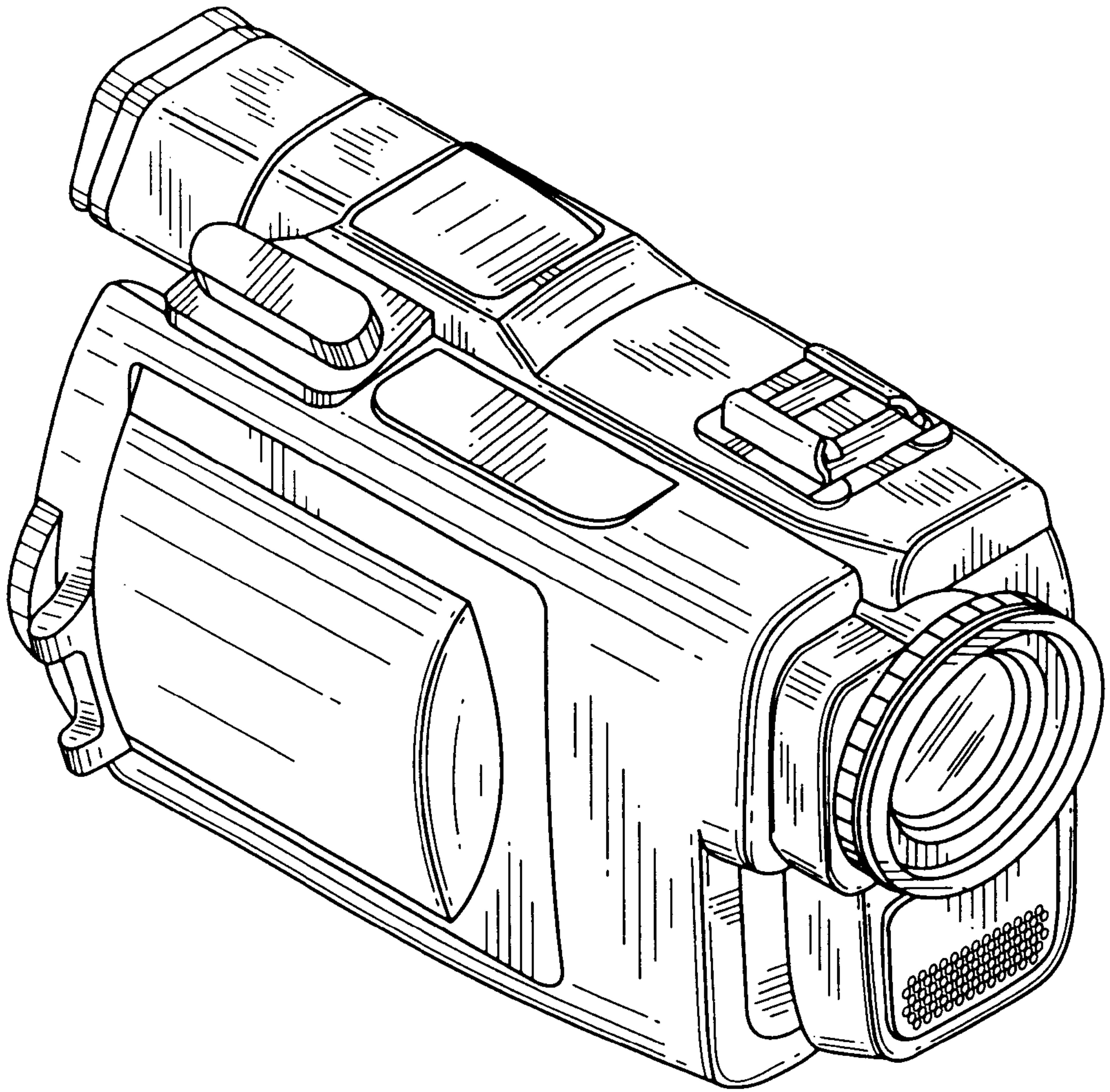


FIG. 1

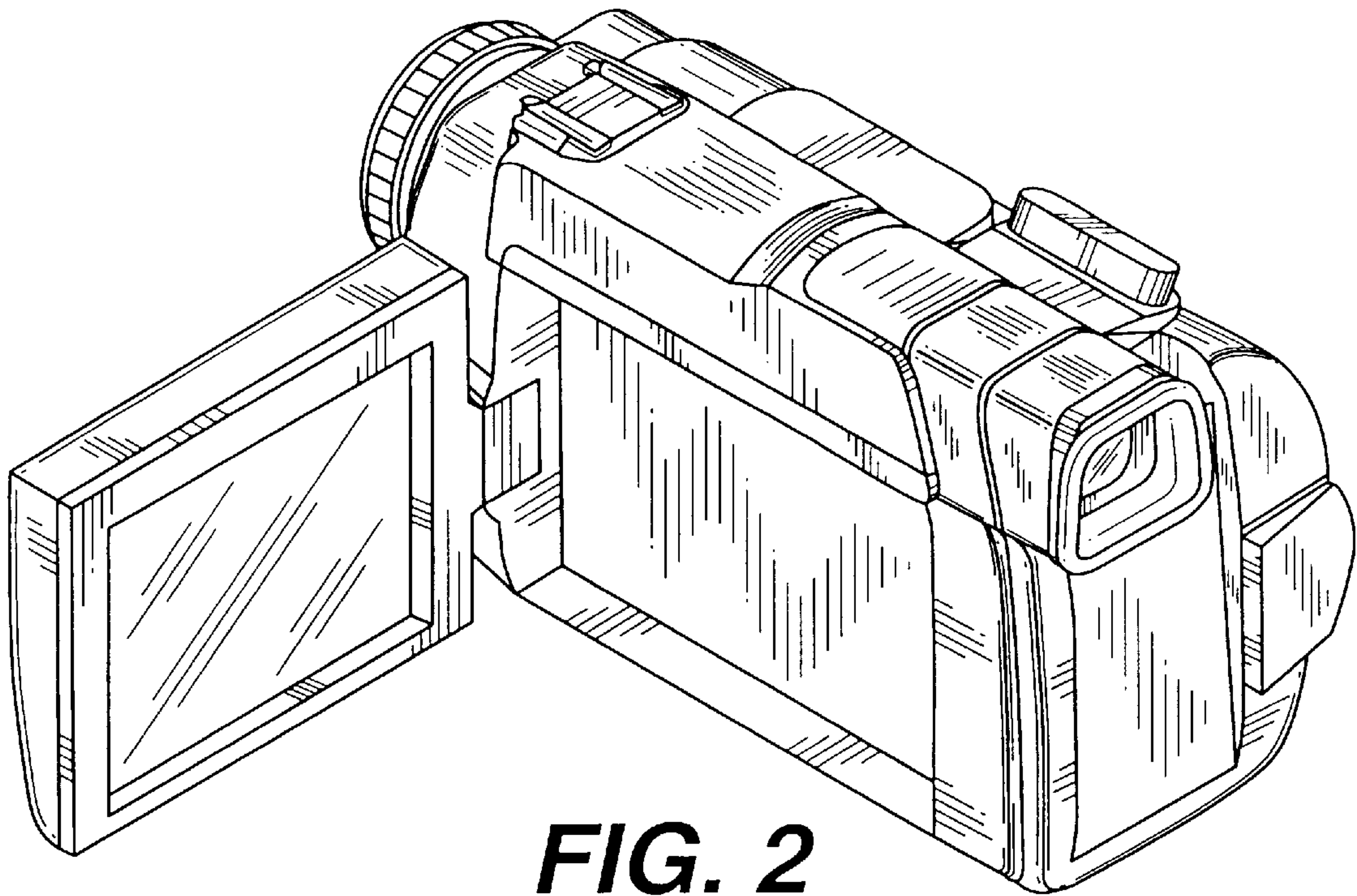


FIG. 2

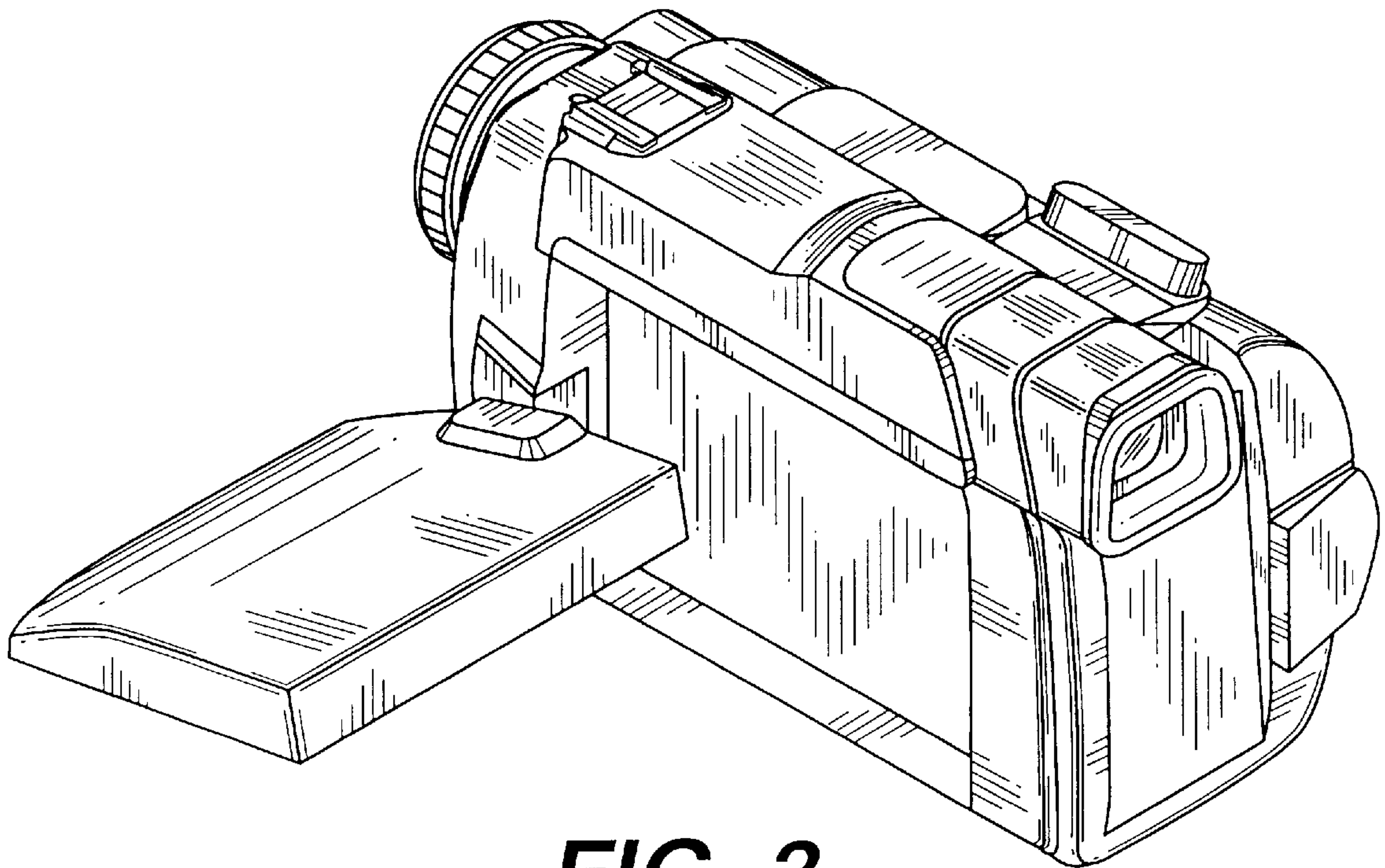


FIG. 3

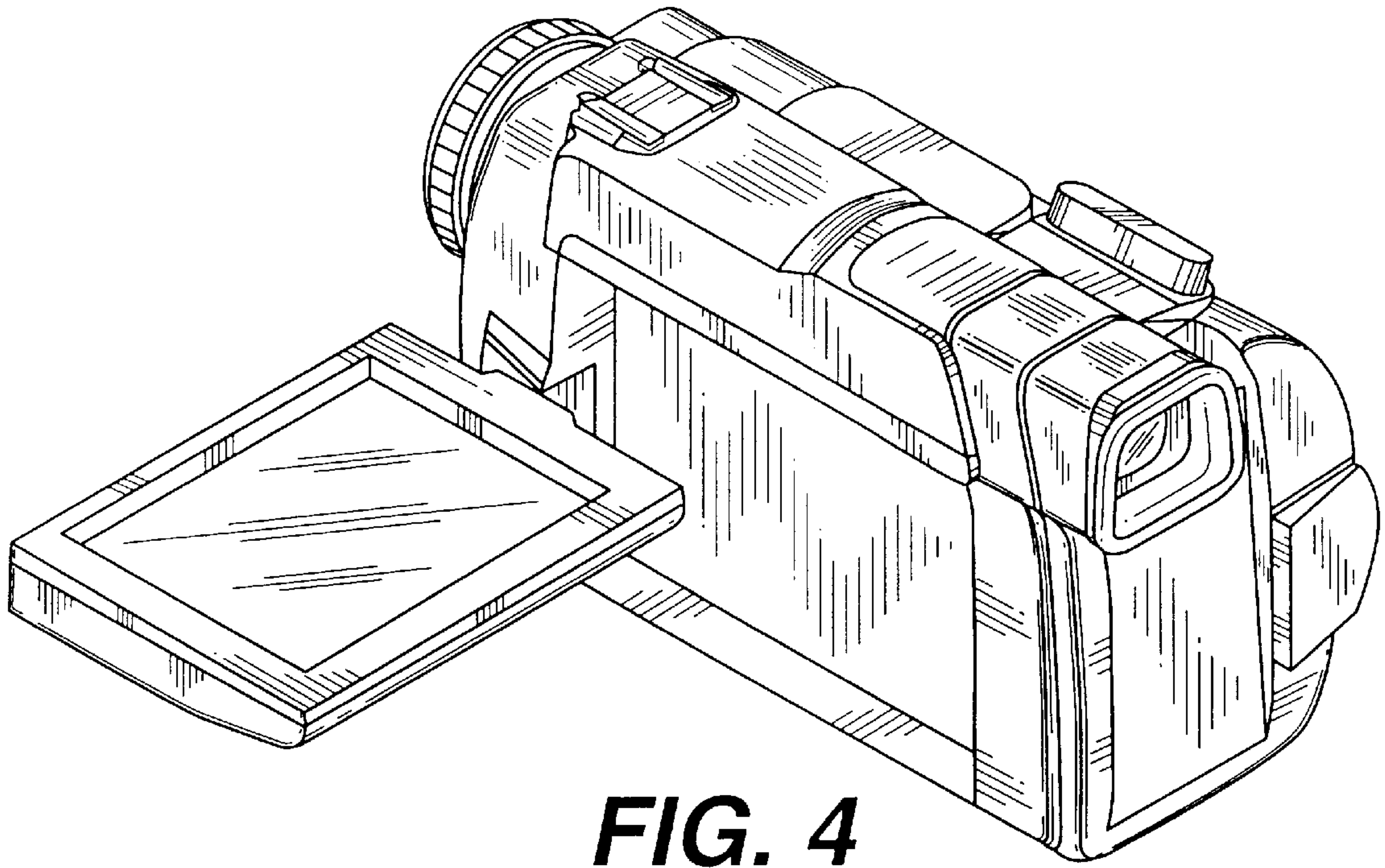


FIG. 4

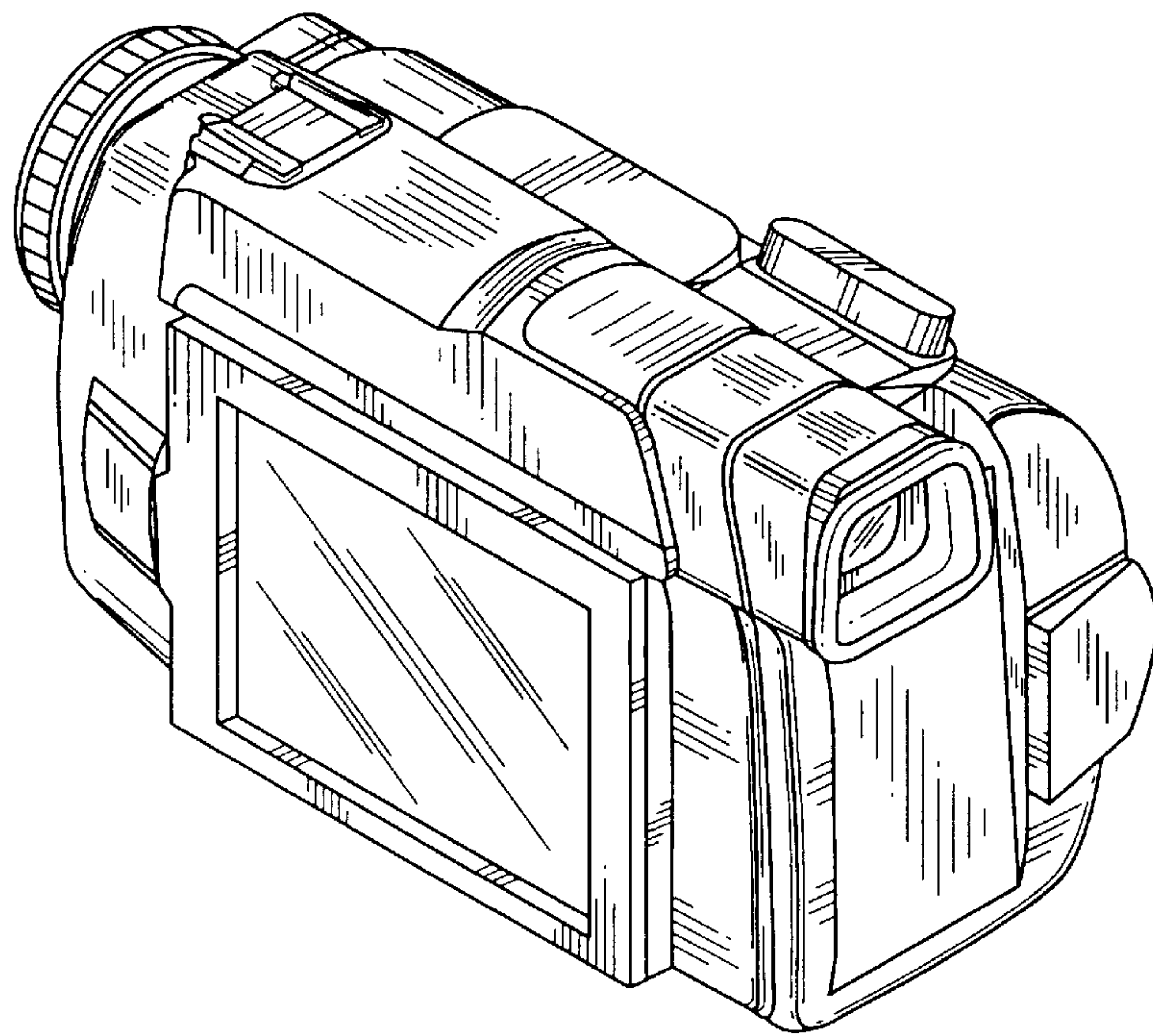


FIG. 5

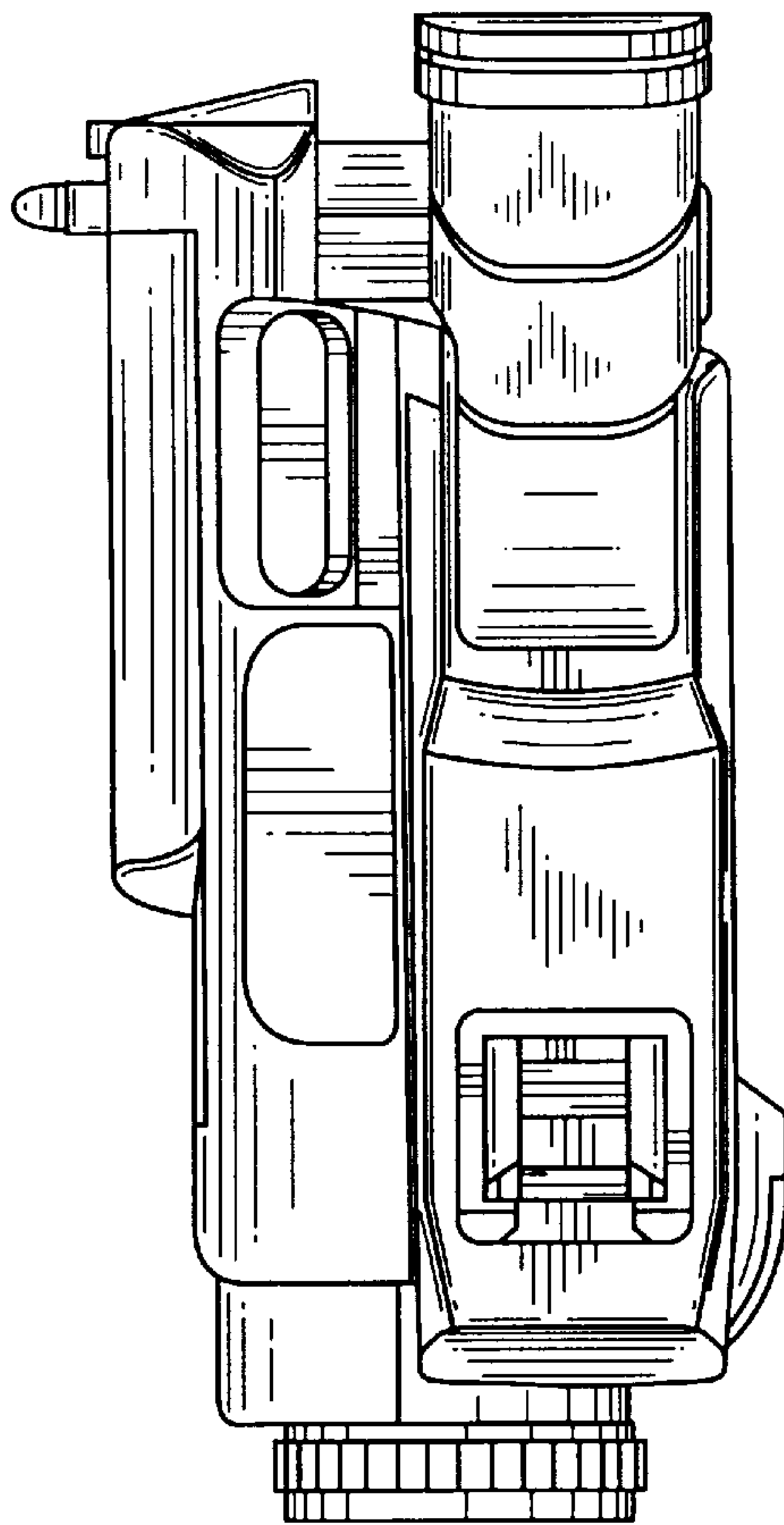


FIG. 6

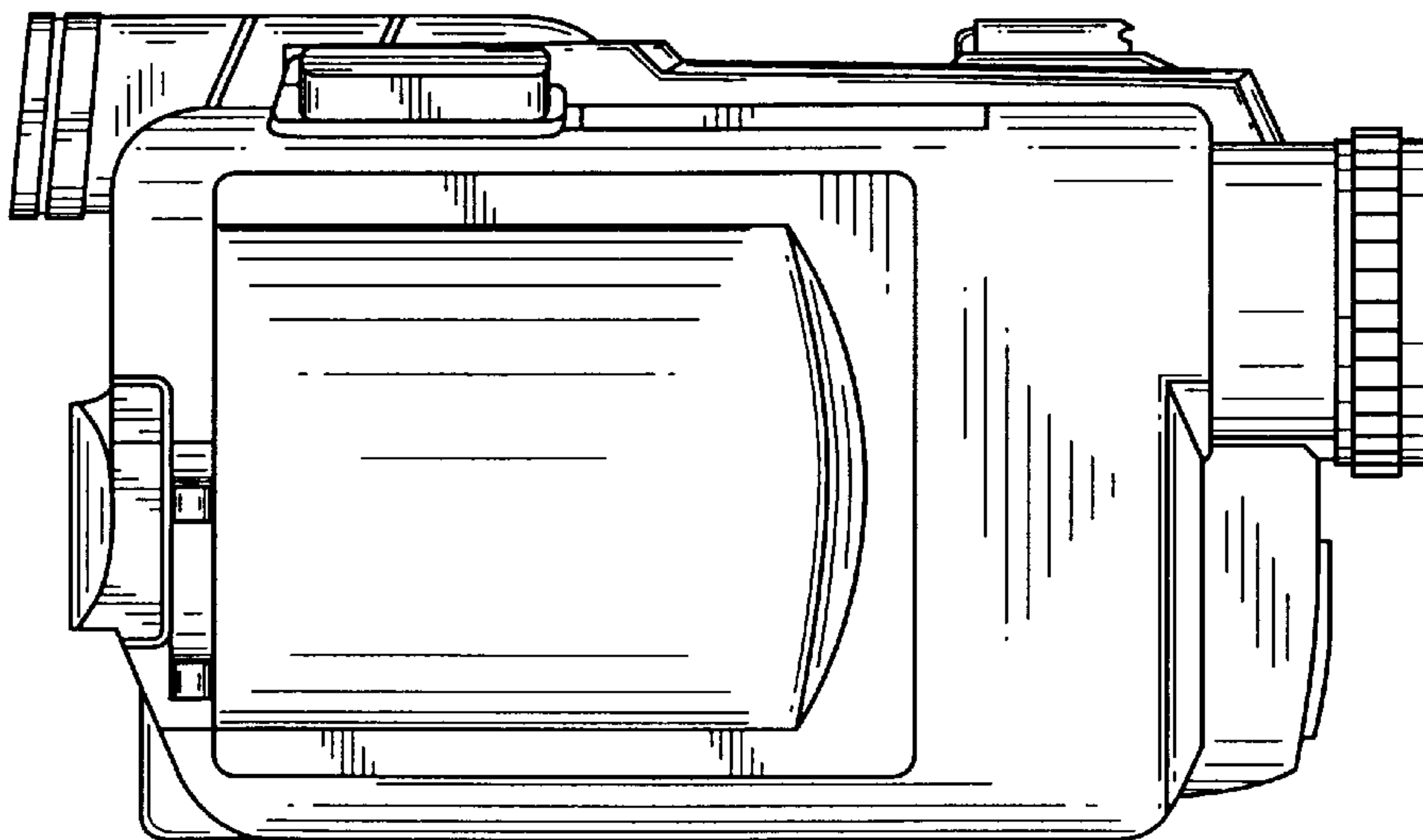


FIG. 7

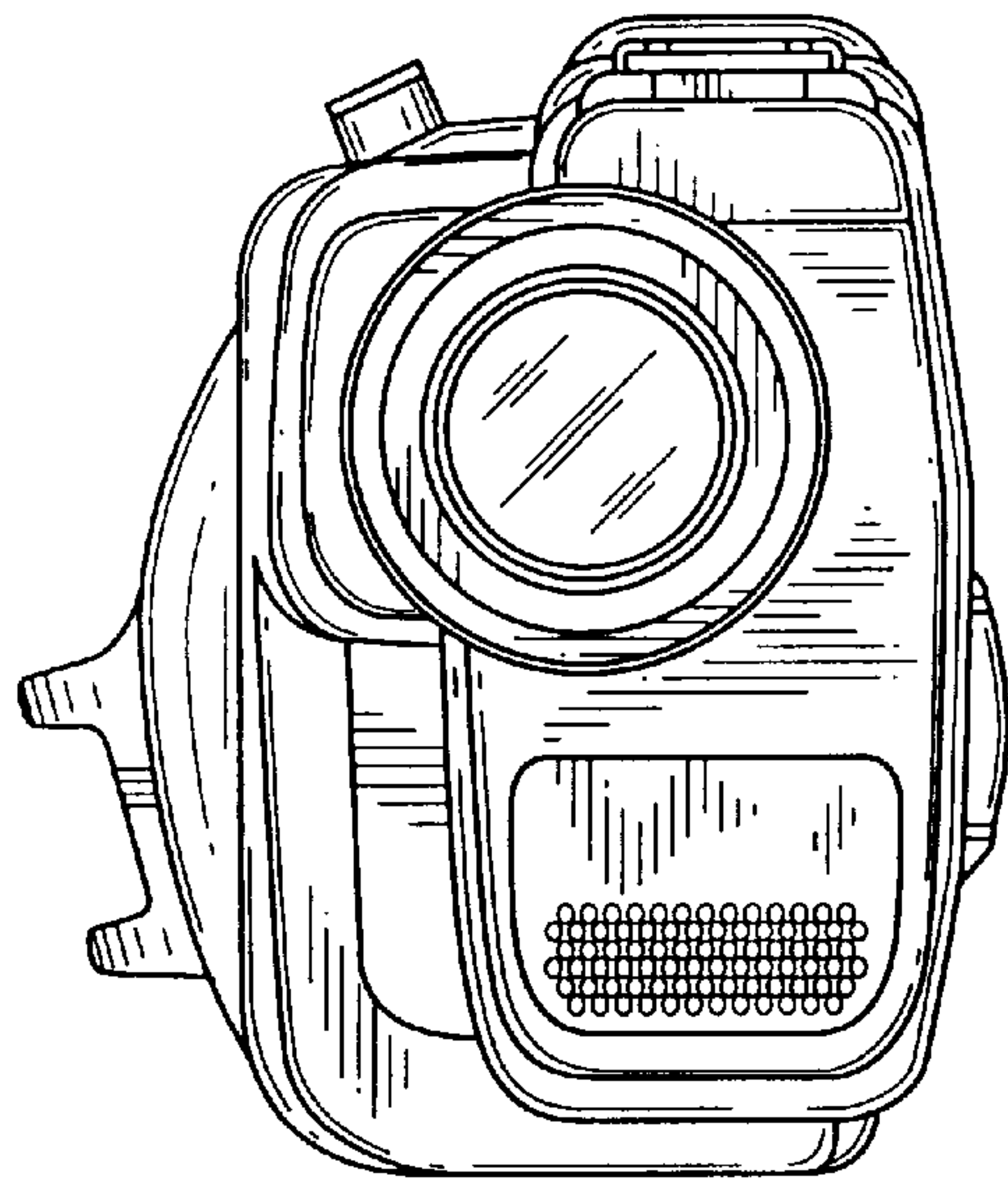


FIG. 8

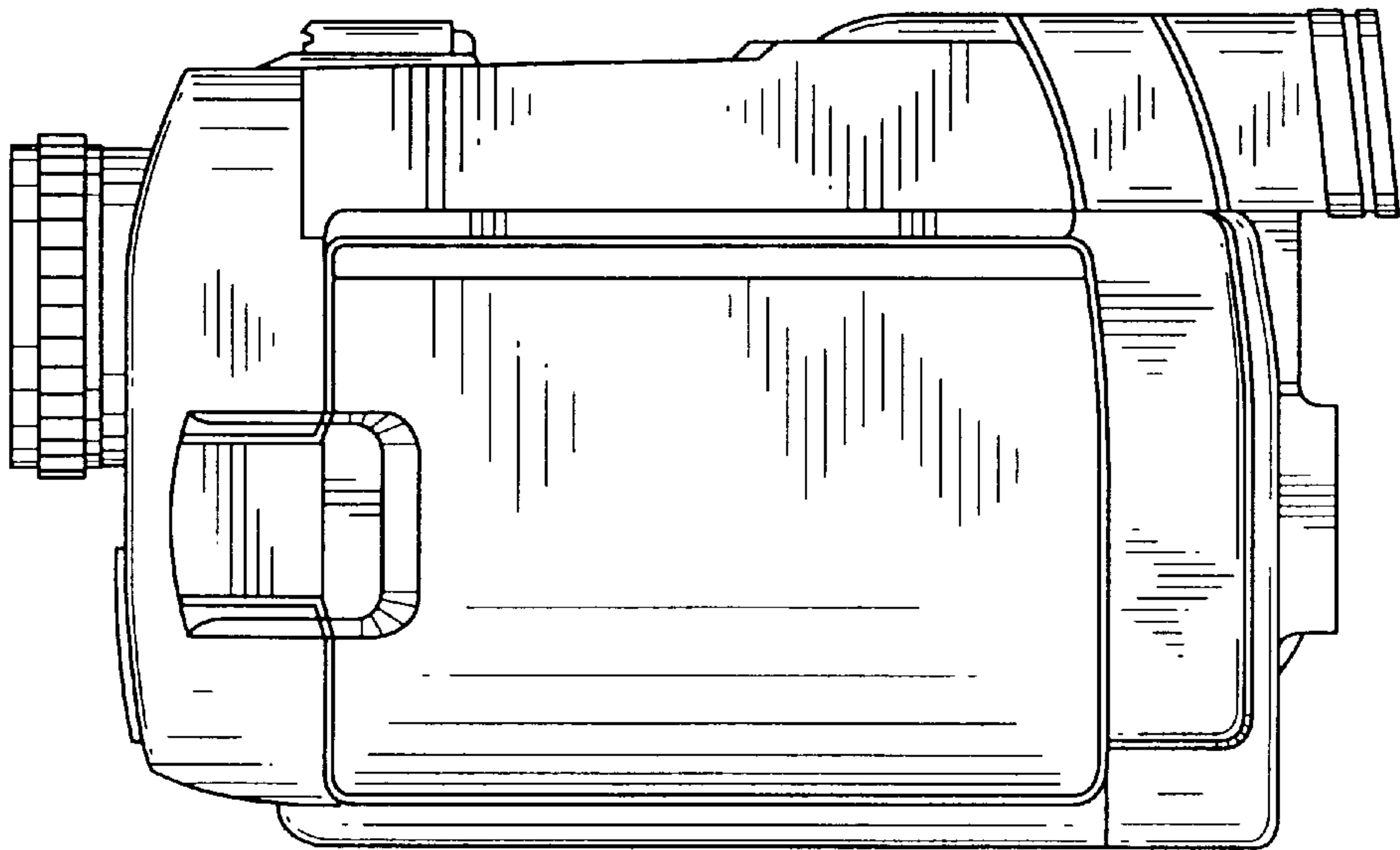


FIG. 9

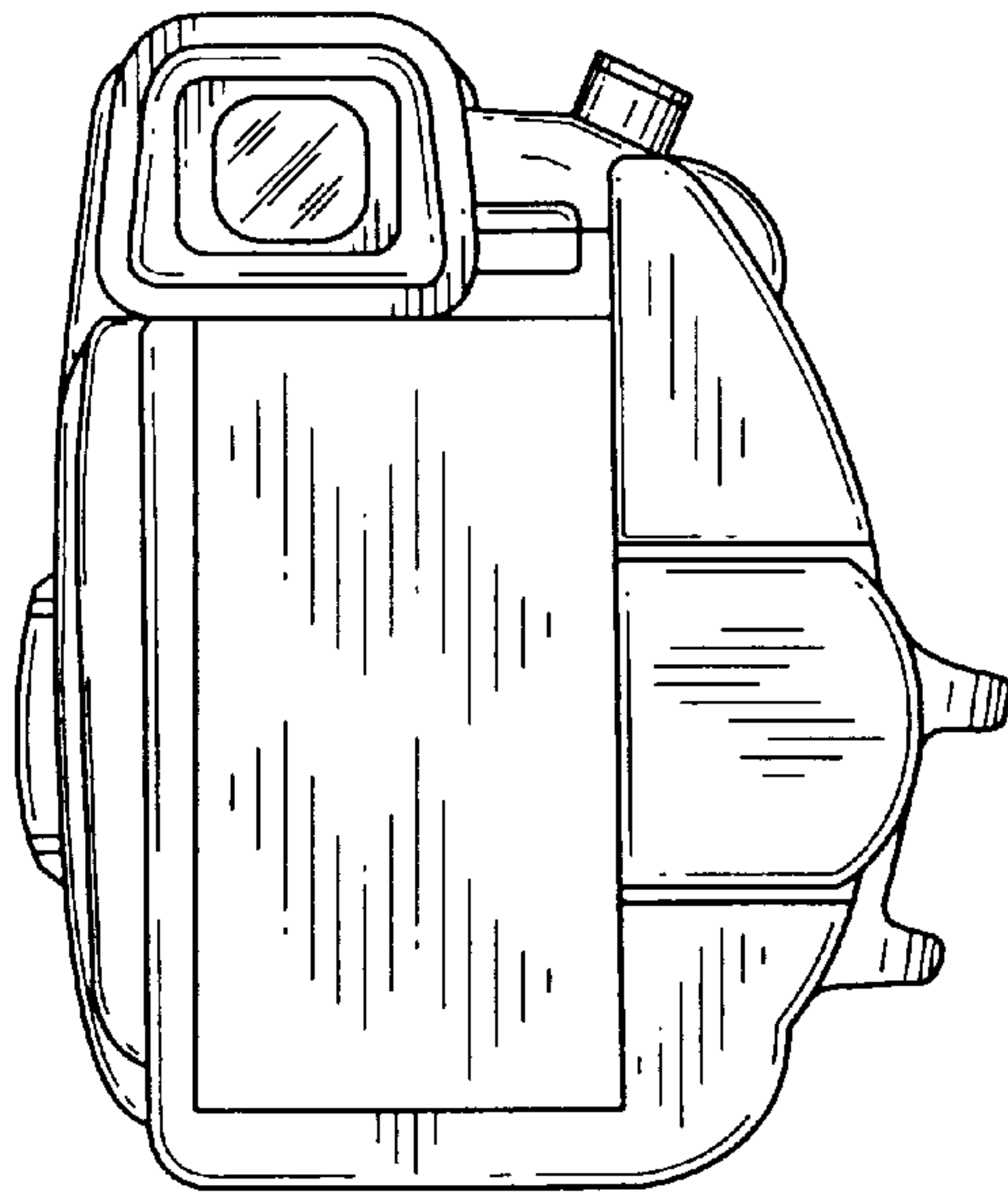


FIG. 10

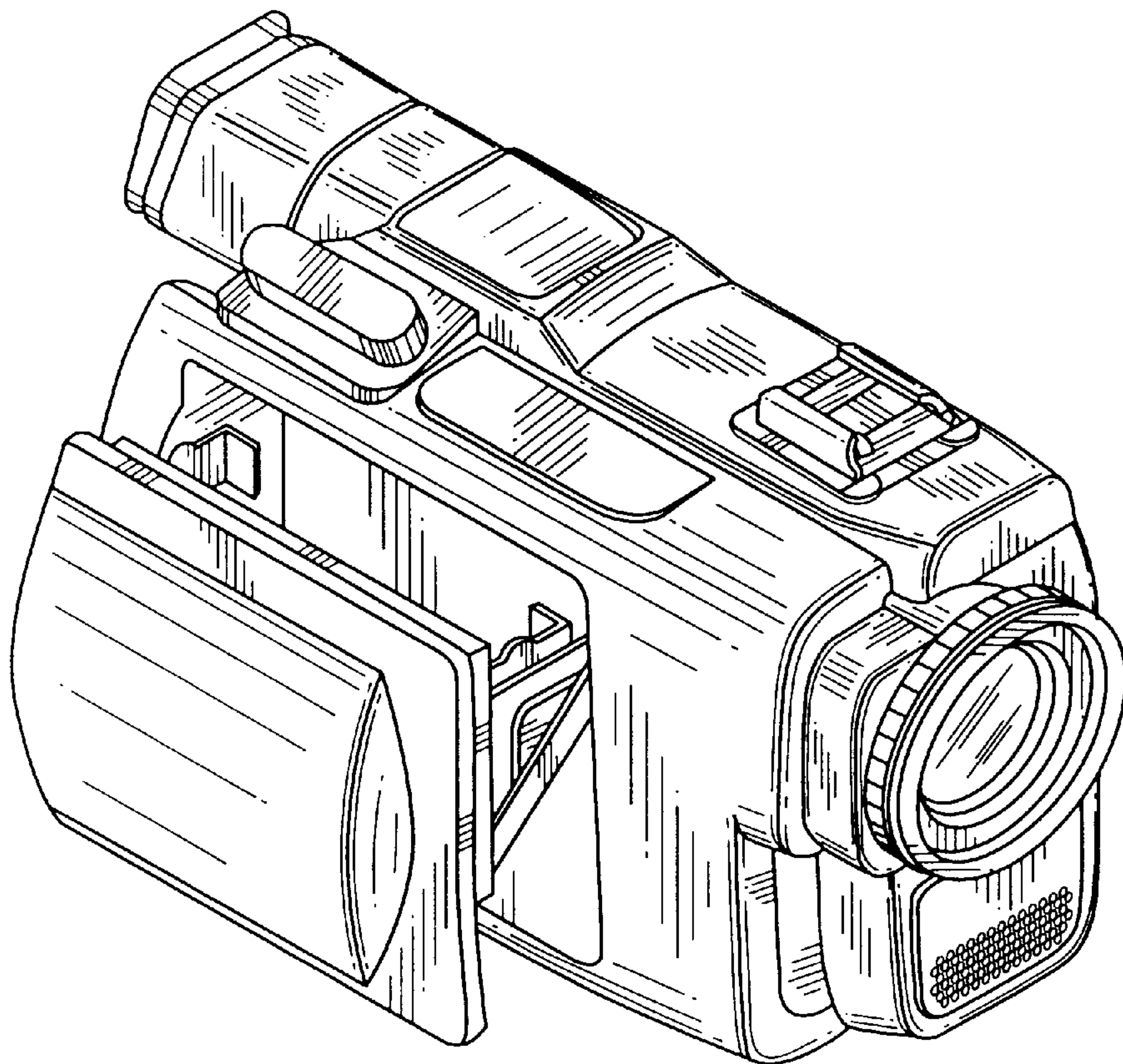


FIG. 11