



US00D412174S

# United States Patent [19] Faulkner et al.

[11] **Patent Number: Des. 412,174**  
[45] **Date of Patent: \*\* Jul. 20, 1999**

## [54] COMPRESSOR

[76] Inventors: **Edward T. Faulkner**, 4717 Vince Ct.;  
**Steven C. Fairbanks**, 1330 Buckhorn,  
both of St. Joseph, Mich. 49085

[\*\*] Term: **14 Years**

[21] Appl. No.: **29/084,464**

[22] Filed: **Mar. 4, 1998**

[51] **LOC (6) Cl.** ..... **15-02**

[52] **U.S. Cl.** ..... **D15/9**

[58] **Field of Search** ..... D15/7, 9; 417/415,  
417/235, 410, 411, 265, 405, 38, 234; D23/233-237,  
244-249

## [56] **References Cited**

### U.S. PATENT DOCUMENTS

D. 245,779	9/1977	Nobata .	
D. 250,113	10/1978	Nobata .	
D. 377,967	2/1997	Rozek et al. ....	D15/9
D. 379,996	6/1997	Leu et al. ....	D15/9
D. 382,883	8/1997	Breitzman et al. ....	D15/9
D. 394,068	5/1998	Pollrich et al. ....	D15/9
2,134,077	10/1938	Ehret .	
3,375,972	4/1968	Raufeisen .	
3,650,639	3/1972	Greene et al. .	
4,782,738	11/1988	Jackson et al. .	
5,096,395	3/1992	Todescat et al. .	
5,454,397	10/1995	Miszczak .	

## OTHER PUBLICATIONS

3 pages of advertising literature: Gast Air Compressors, Roc-R® Compressors, May 1992.

Brochure: Gast 71R/72R Series Compressors and Vacuum Pumps, Nov. 1995.

Brochure: Gast GL Series Compressors and Vacuum Pumps, The Designer's Air Source, Nov. 1987.

*Primary Examiner*—Ralf Seifert

*Attorney, Agent, or Firm*—Barnes & Thornburg

## [57] **CLAIM**

An ornamental design for a compressor, as shown and described.

## **DESCRIPTION**

FIG. 1 is a perspective view of a compressor according to the present invention;

FIG. 2 is a top plan view of the compressor shown in FIG. 1;

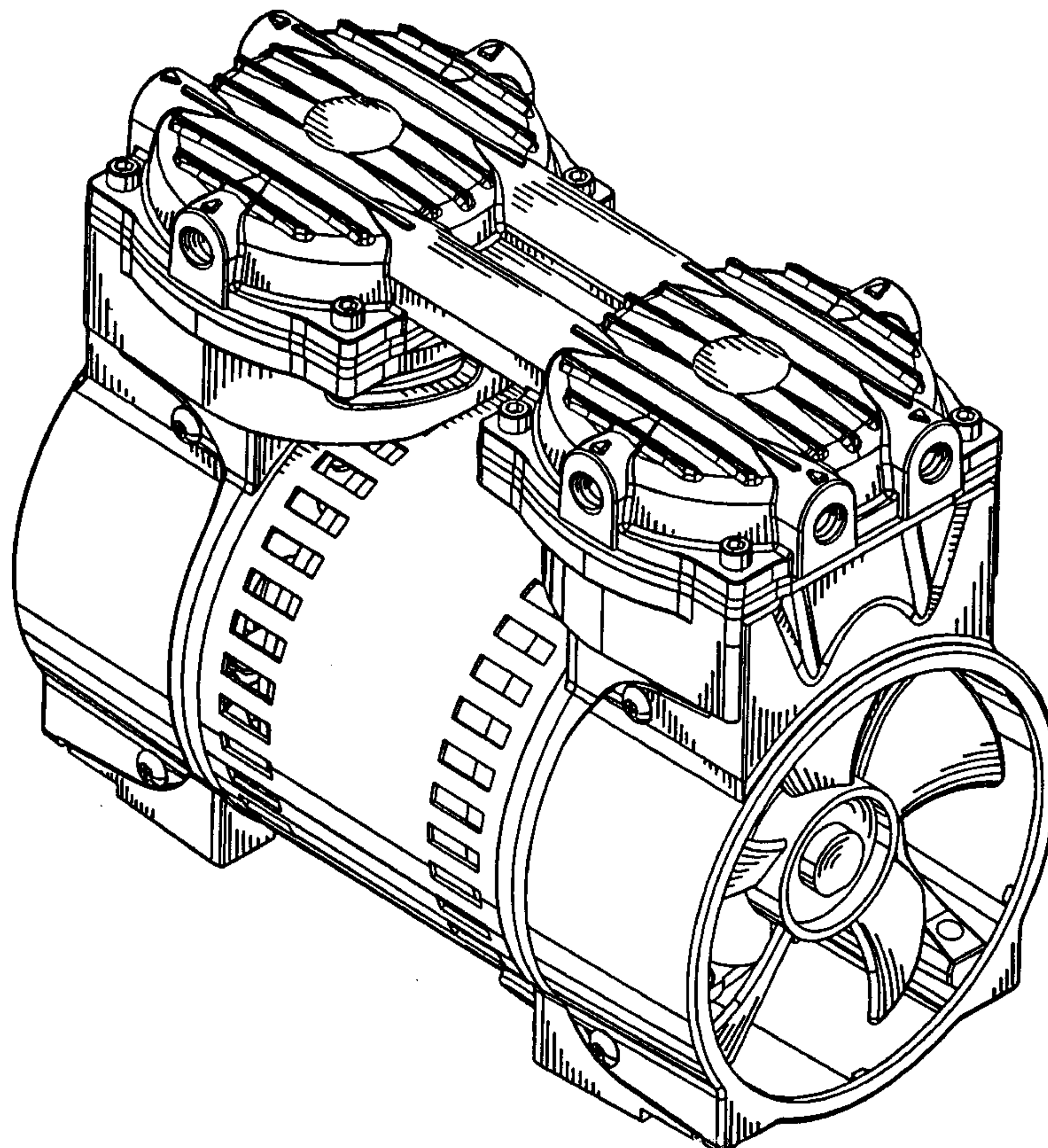
FIG. 4 is a first side plan view of the compressor shown in FIG. 1;

FIG. 3 is a plan view of the side opposite the side shown in FIG. 4;

FIG. 5 is a first end plan view of the compressor shown in FIG. 1; and,

FIG. 6 is end plan view opposite the end shown in FIG. 5.

**1 Claim, 6 Drawing Sheets**



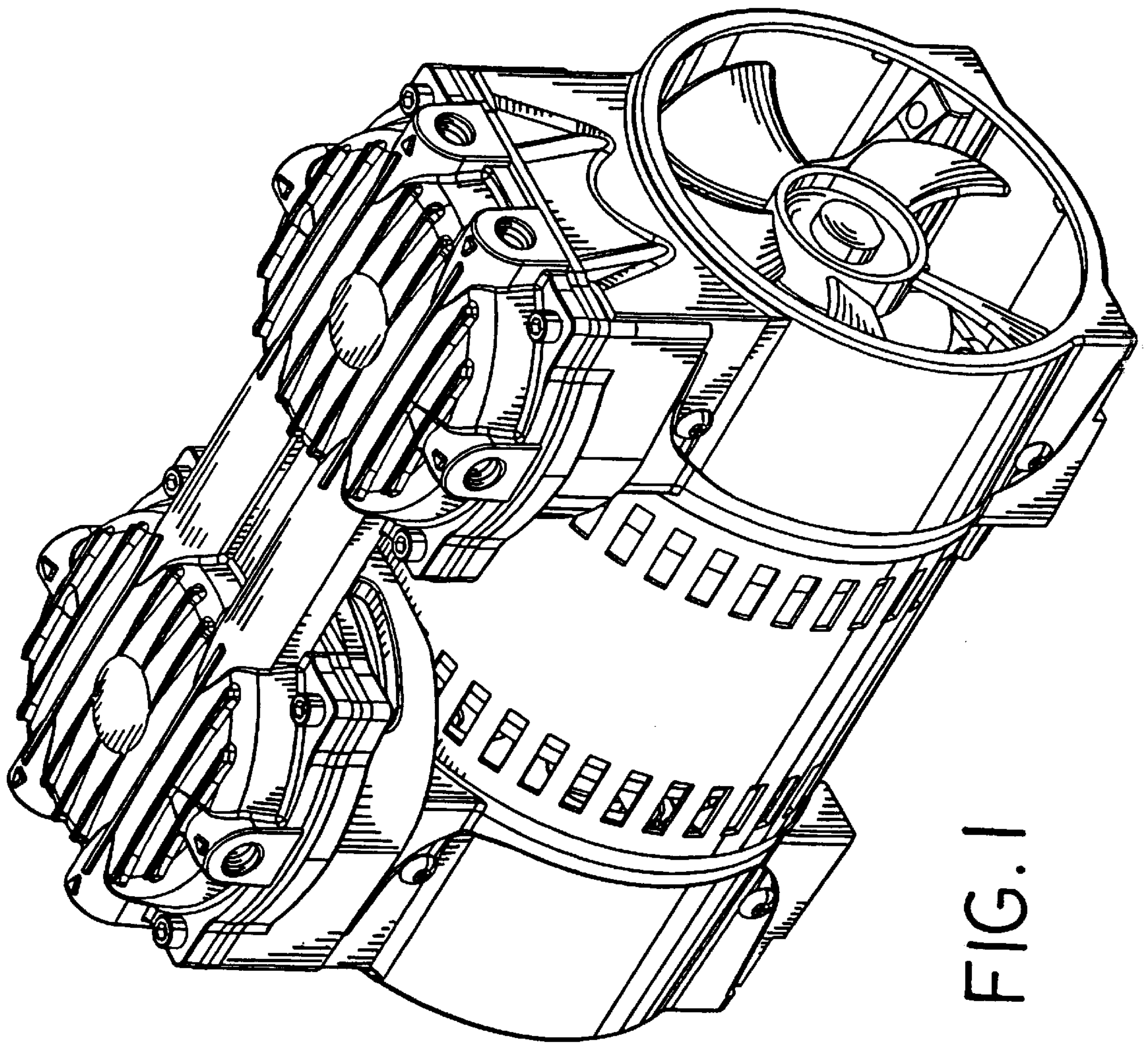


FIG. 1



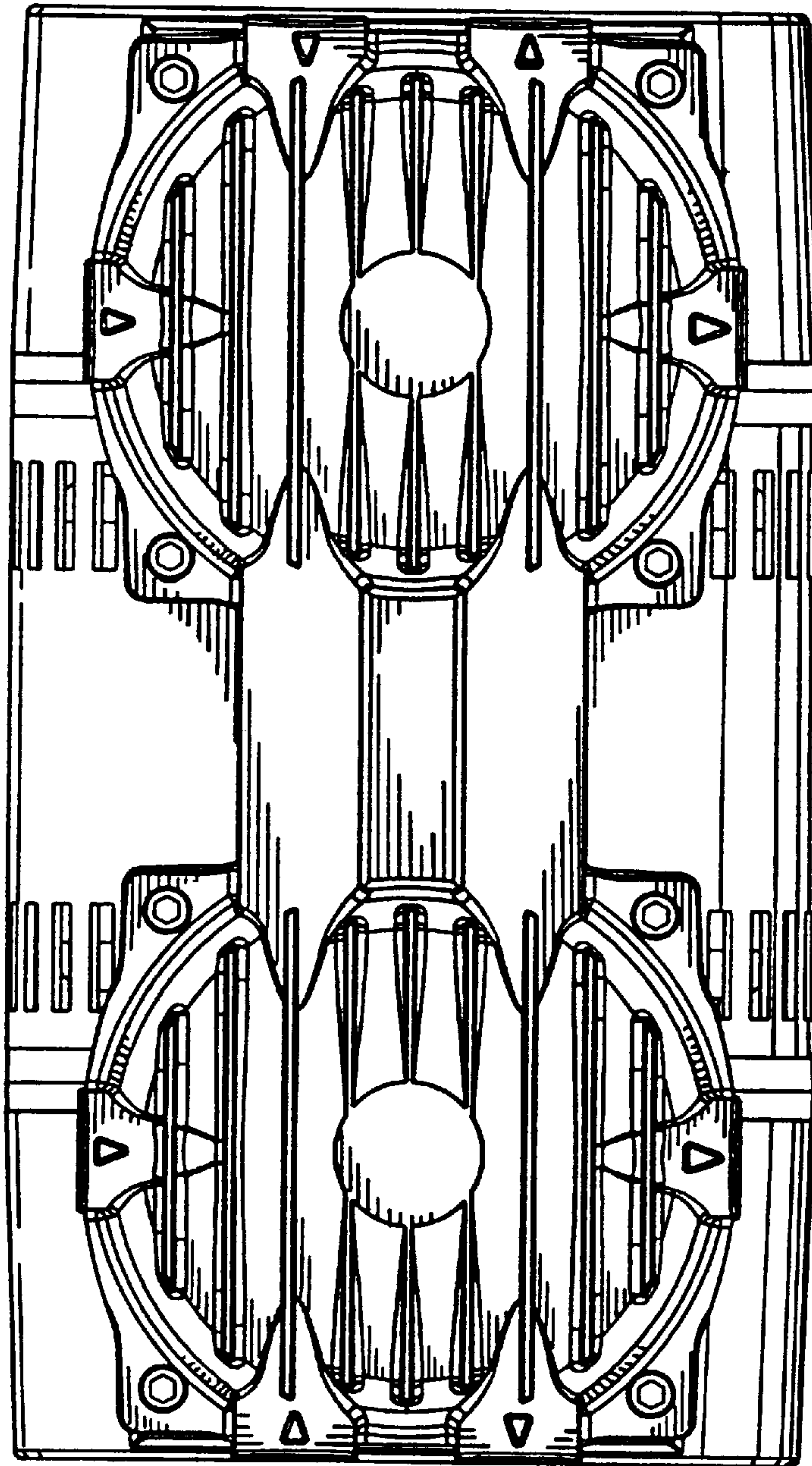


FIG. 2

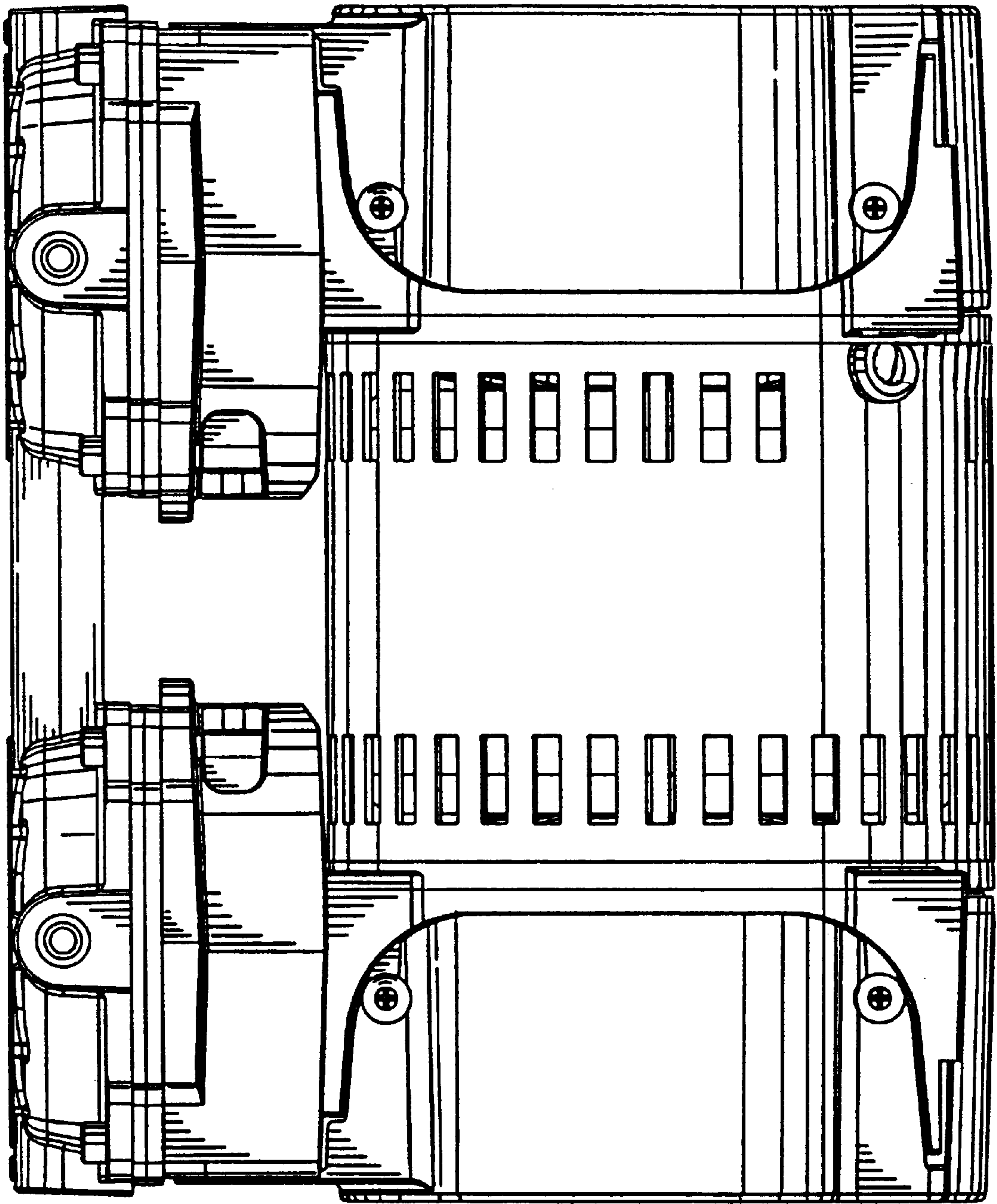


FIG. 3

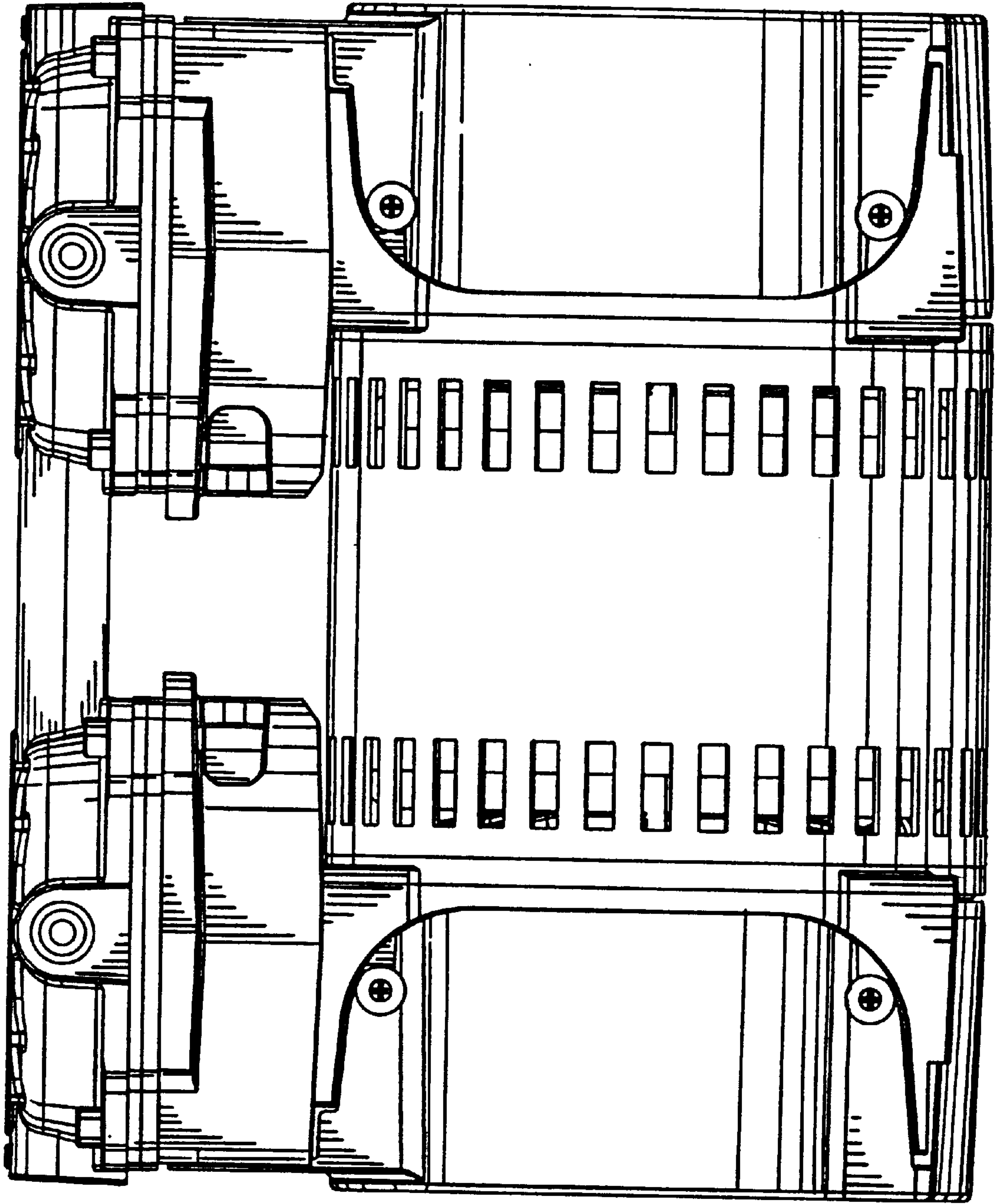


FIG.4

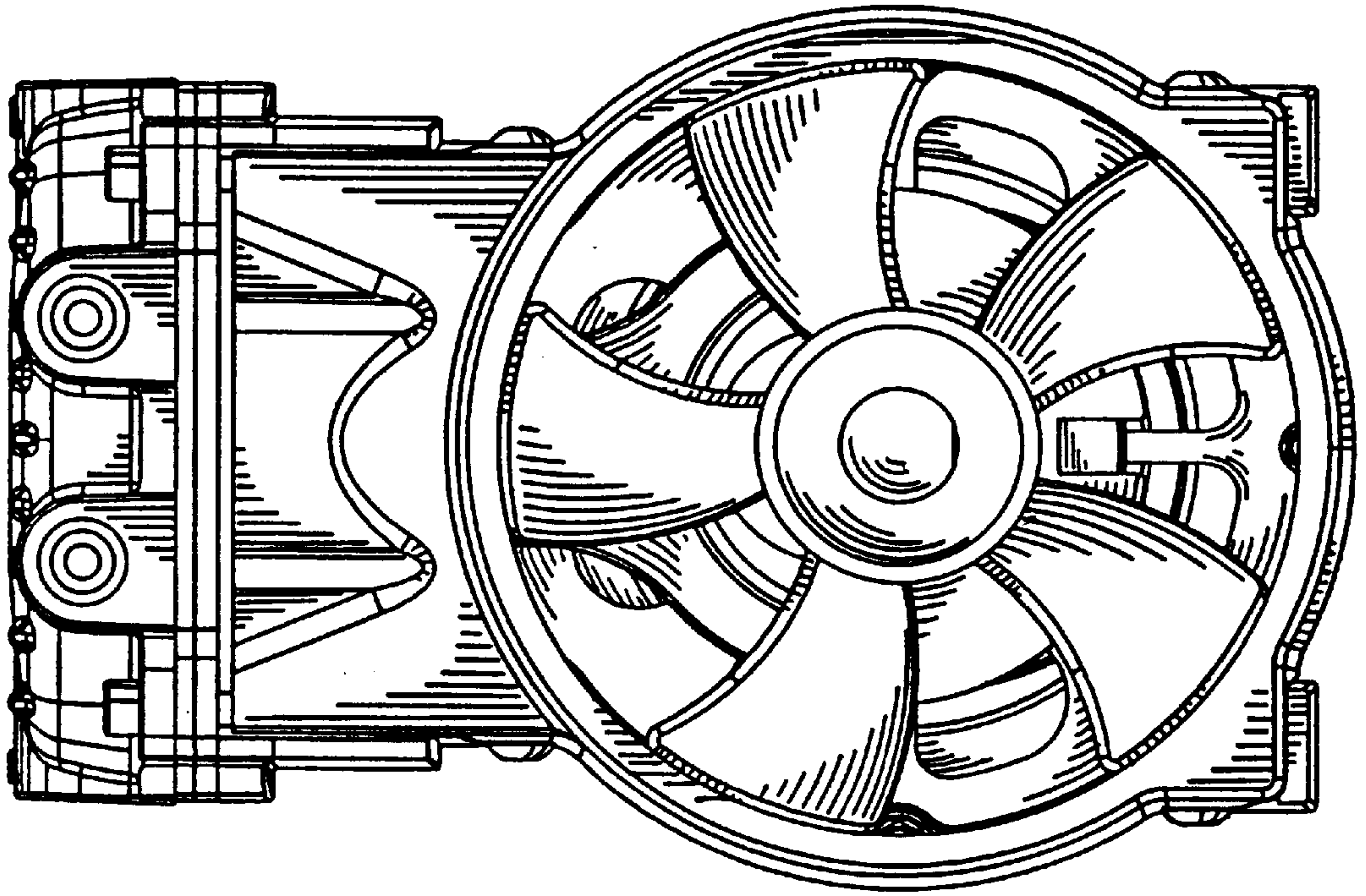


FIG. 5



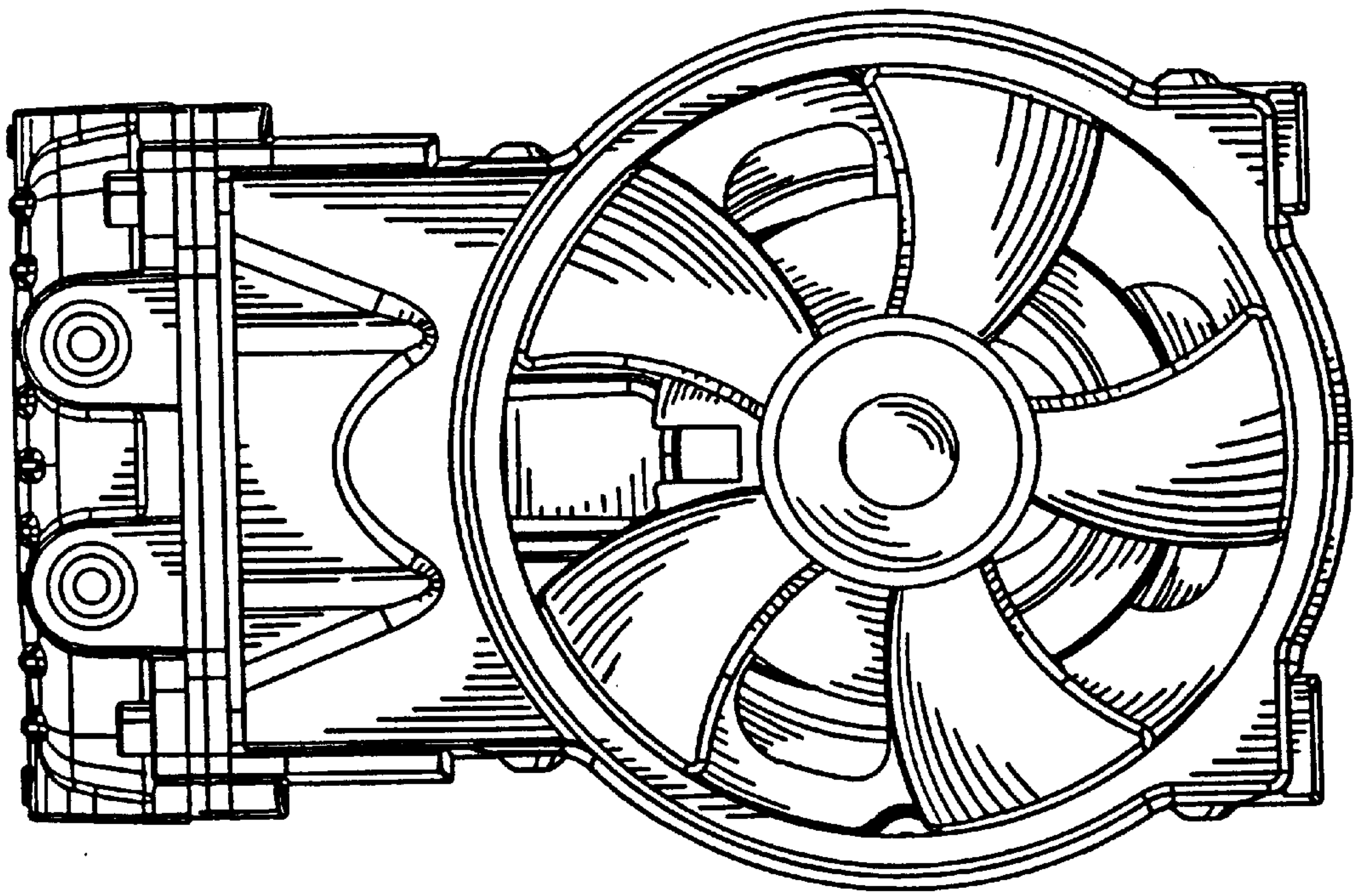


FIG. 6