



US00D412172S

# United States Patent [19] Uchiyama

[11] **Patent Number: Des. 412,172**

[45] **Date of Patent: \*\* Jul. 20, 1999**

[54] **DISC PLAYER**

[75] Inventor: **Jun Uchiyama**, Tokyo, Japan

[73] Assignee: **Sony Corporation**, Tokyo, Japan

[\*\*] Term: **14 Years**

[21] Appl. No.: **29/067,424**

[22] Filed: **Feb. 28, 1997**

[51] **LOC (6) Cl. .... 14-01**

[52] **U.S. Cl. .... D14/156**

[58] **Field of Search** ..... D14/135-136,  
D14/156-157, 160-162, 164, 167-168,  
188, 193-198; 312/7.1; 348/10-11, 706;  
455/6.1

[56] **References Cited**

**U.S. PATENT DOCUMENTS**

D. 321,192 10/1991 Ito et al. .... D14/156 X

D. 327,890 7/1992 Ito et al. .... D14/161 X

D. 328,747 8/1992 Ito et al. .... D14/188

D. 339,135 9/1993 Ito et al. .... D14/156

*Primary Examiner*—Nanda Bondade  
*Attorney, Agent, or Firm*—Foley & Lardner

[57] **CLAIM**

The ornamental design for a disc player, as shown and described.

**DESCRIPTION**

FIG. 1 is a perspective view of a disc player showing my new design;  
FIG. 2 is a top plan view thereof;  
FIG. 3 is a left side elevational view thereof;  
FIG. 4 is a front elevational view thereof;  
FIG. 5 is a right side elevational view thereof;  
FIG. 6 is a bottom plan view thereof; and,  
FIG. 7 is a rear elevational view thereof.

**1 Claim, 4 Drawing Sheets**

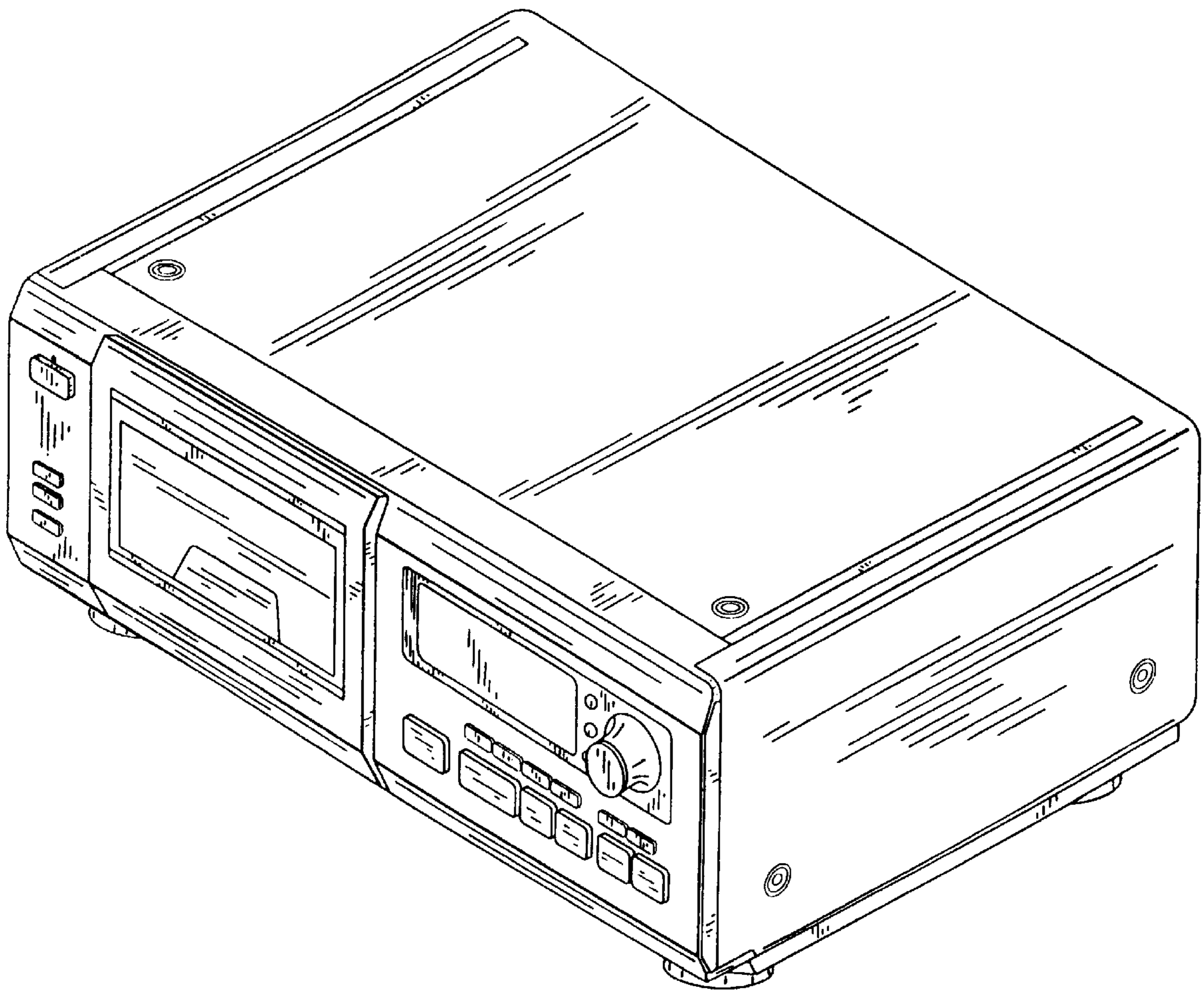


FIG. 1

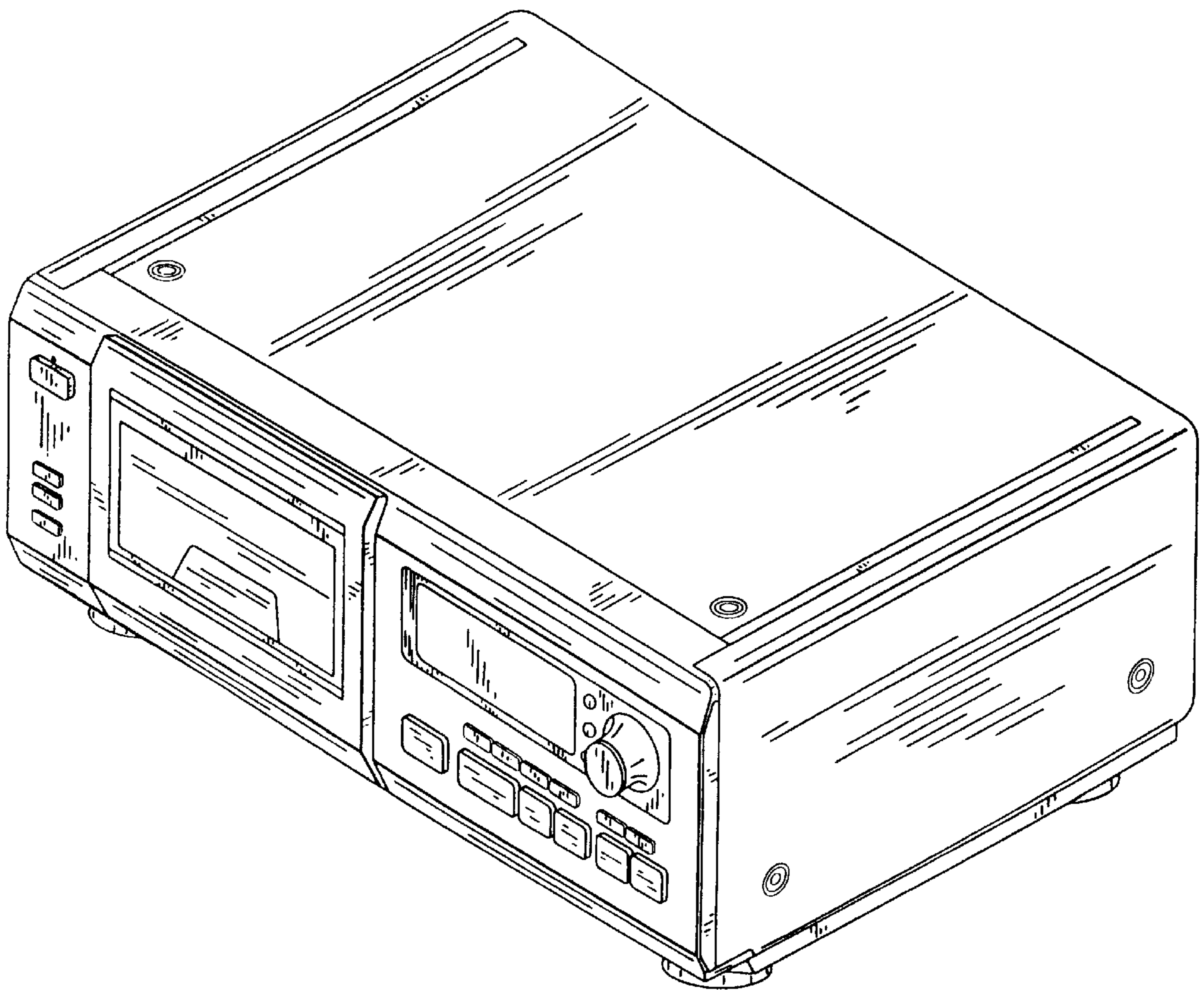


FIG. 2

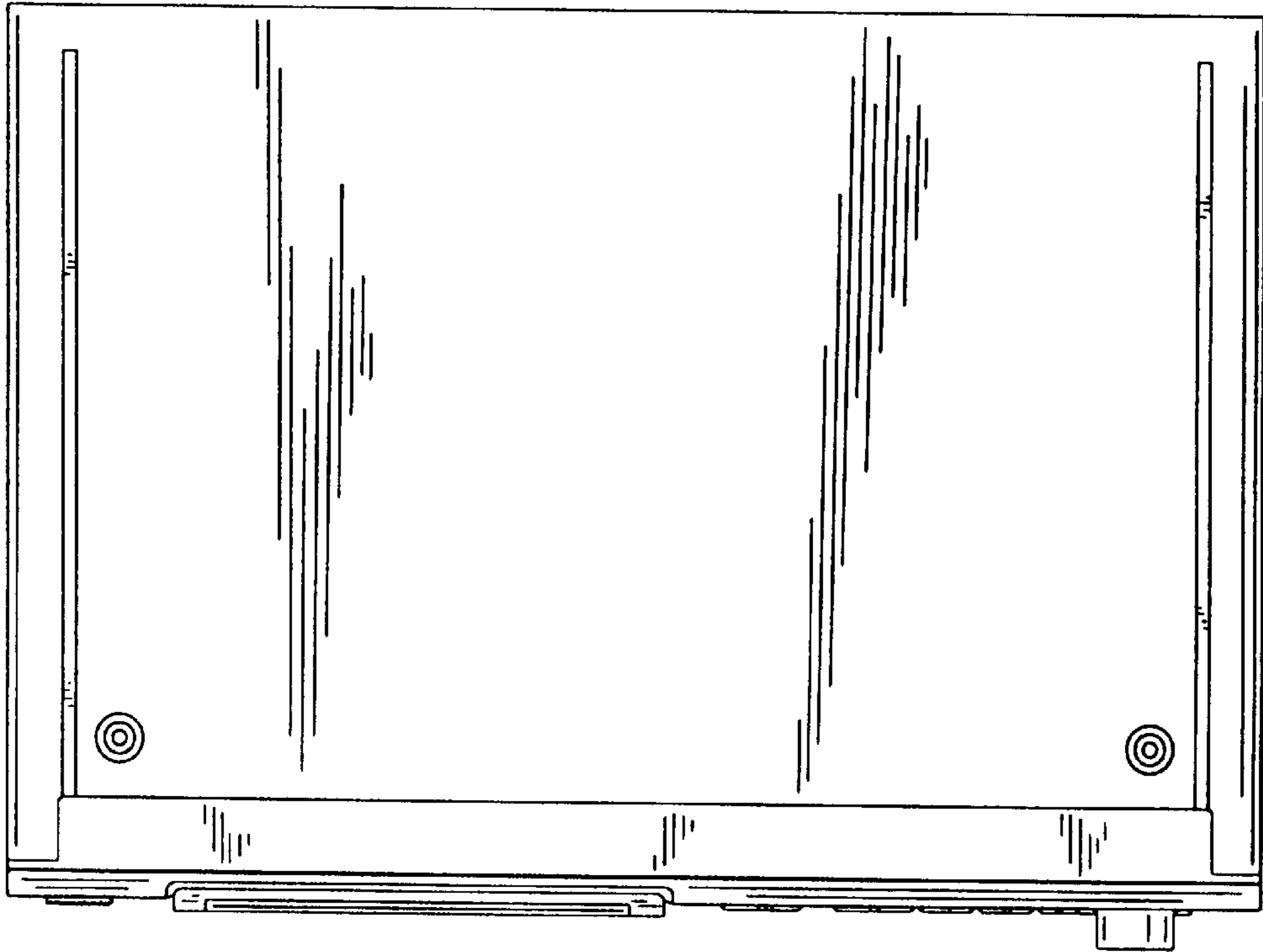


FIG. 6

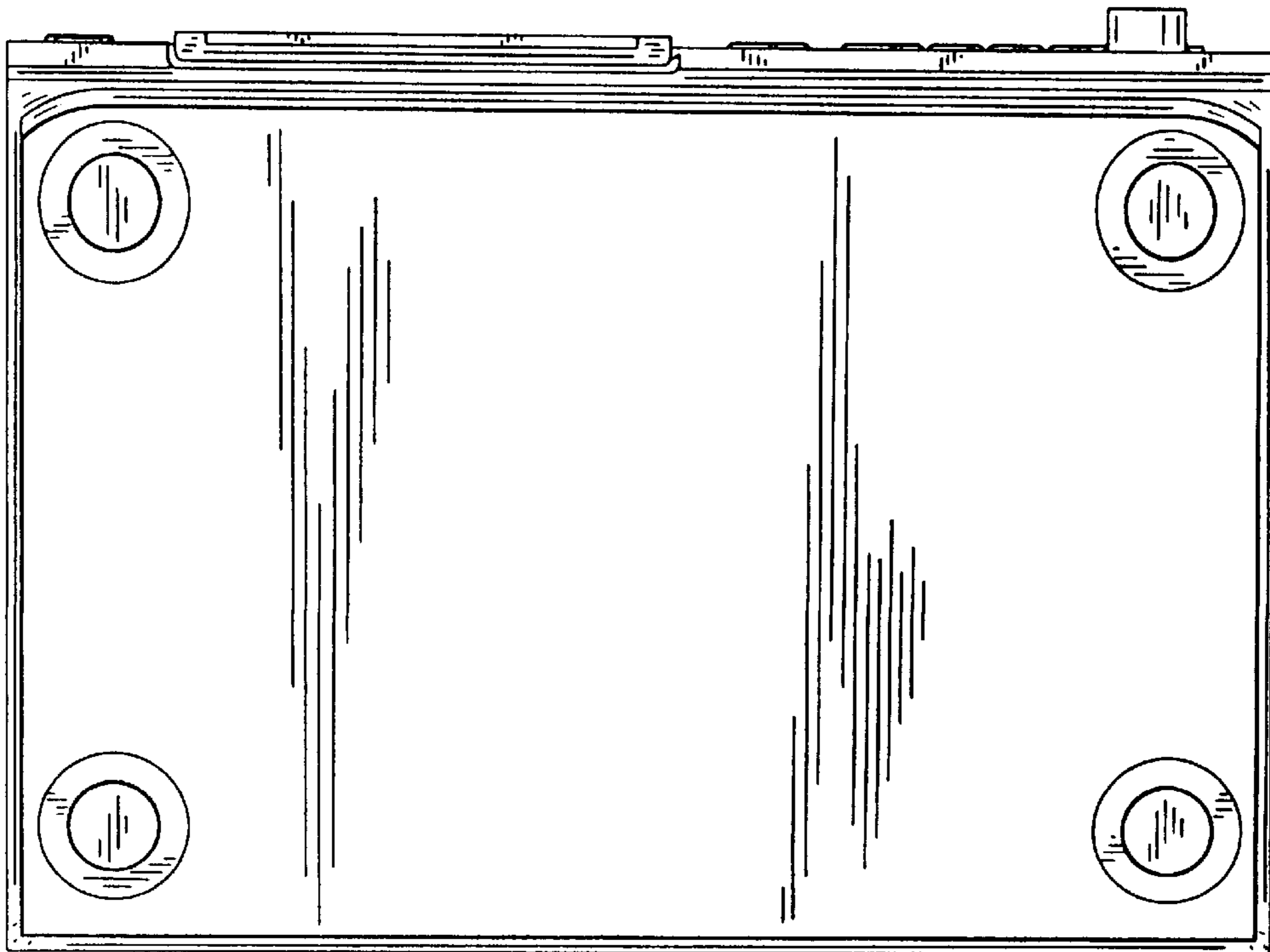


FIG. 3

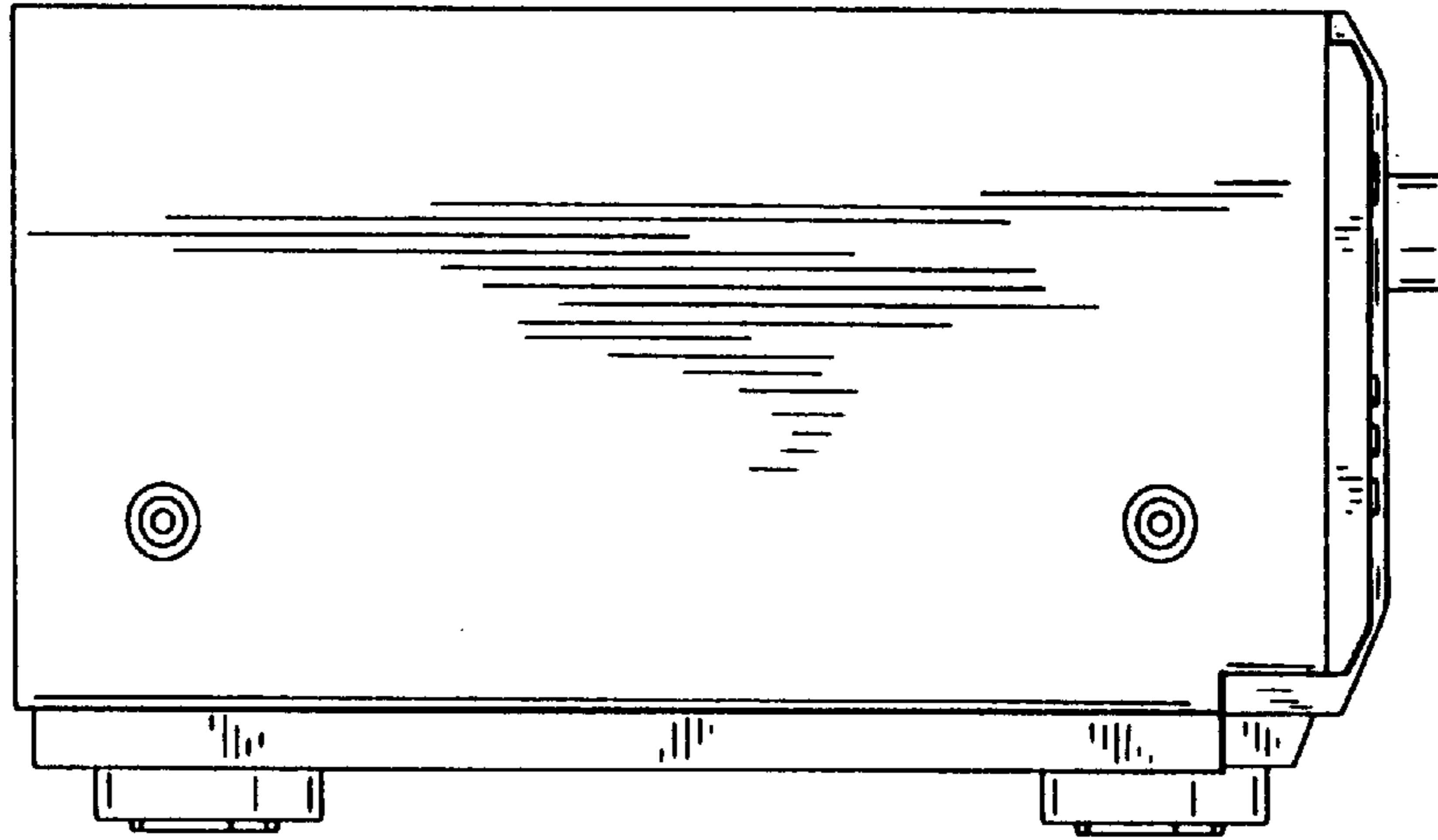


FIG. 5

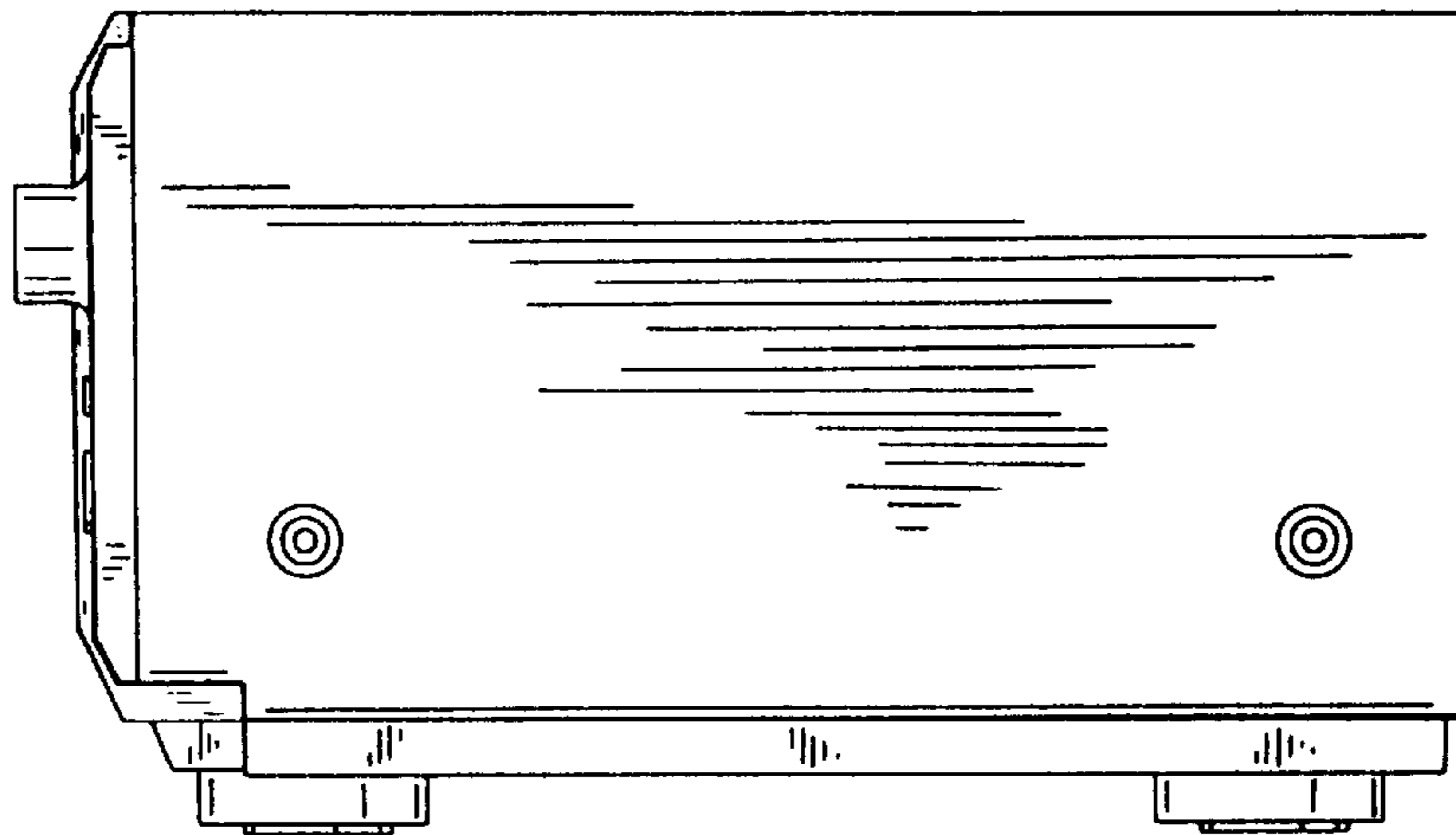


FIG. 4

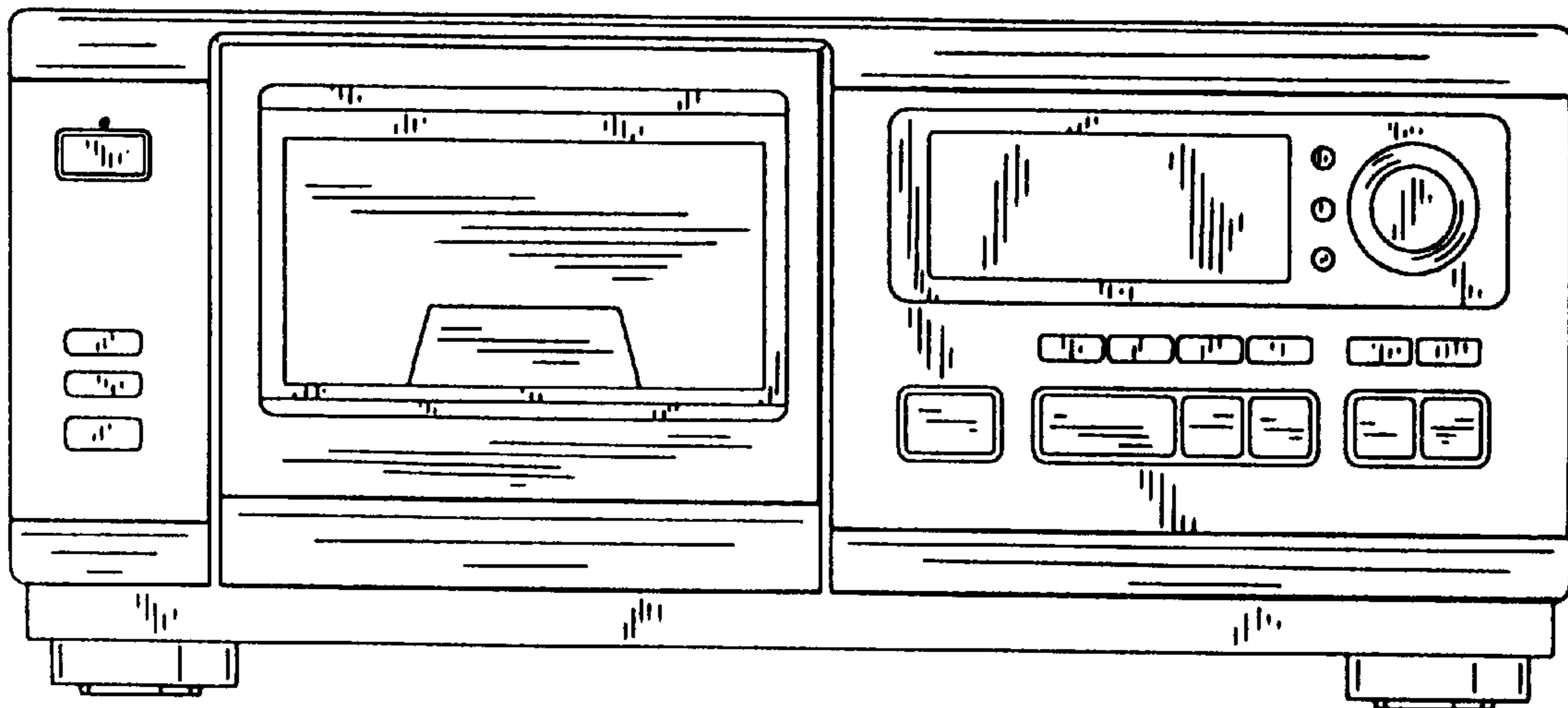


FIG. 7

