



US00D412171S

United States Patent [19]
Girardi et al.

[11] **Patent Number: Des. 412,171**
[45] **Date of Patent: ** Jul. 20, 1999**

[54] **TELEPHONE SET**

[75] Inventors: **Joseph Girardi, Edison; Richard Joseph Smith, Brick; Ahmad Usul Sulijoadikusumo, Manalapan, all of N.J.**

[73] Assignee: **Lucent Technologies Inc., Murray Hill, N.J.**

[**] Term: **14 Years**

[21] Appl. No.: **29/090,524**

[22] Filed: **Jul. 10, 1998**

[51] **LOC (6) Cl. 14-03**

[52] **U.S. Cl. D14/151**

[58] **Field of Search D14/137, 138, D14/148, 147, 149-151, 140-142, 240, 241; 379/433-436, 419, 420, 428, 440**

[56] **References Cited**

U.S. PATENT DOCUMENTS

D. 291,565	8/1987	Sekiguchi et al.	D14/151
D. 310,076	8/1990	Kido et al.	D14/151
D. 332,786	1/1993	Gagnon	D14/142
D. 342,252	12/1993	Akatsu et al.	D14/151
D. 348,669	7/1994	Weidinger	D14/151
D. 352,943	11/1994	Weidinger	D14/151
D. 355,192	2/1995	Chang	D14/151

D. 389,145	1/1998	Yoneyama	D14/151
D. 390,226	2/1998	Mak et al.	D14/149
D. 394,259	5/1998	Langlois	D14/151
4,040,120	8/1977	Gedah et al.	379/428 X
5,086,466	2/1992	Gumb et al.	379/419 X
5,835,585	11/1998	Morse	379/424

OTHER PUBLICATIONS

B.A. Pargh catalog, p. 325, Caller ID feature phone at center right, spr 1992.

Primary Examiner—Jeffrey Asch
Attorney, Agent, or Firm—Joseph J. Opalach

[57] **CLAIM**

The ornamental design of a telephone set, as shown and described.

DESCRIPTION

FIG. 1 is a top, rear, and right side perspective view of a telephone set;
FIG. 2 is a top view thereof;
FIG. 3 is a bottom view thereof;
FIG. 4 is a front view thereof;
FIG. 5 is a rear view thereof;
FIG. 6 is a right view thereof; and,
FIG. 7 is a left view thereof.
Broken lines are for illustrative purposes only and form no part of the claimed design.

1 Claim, 5 Drawing Sheets

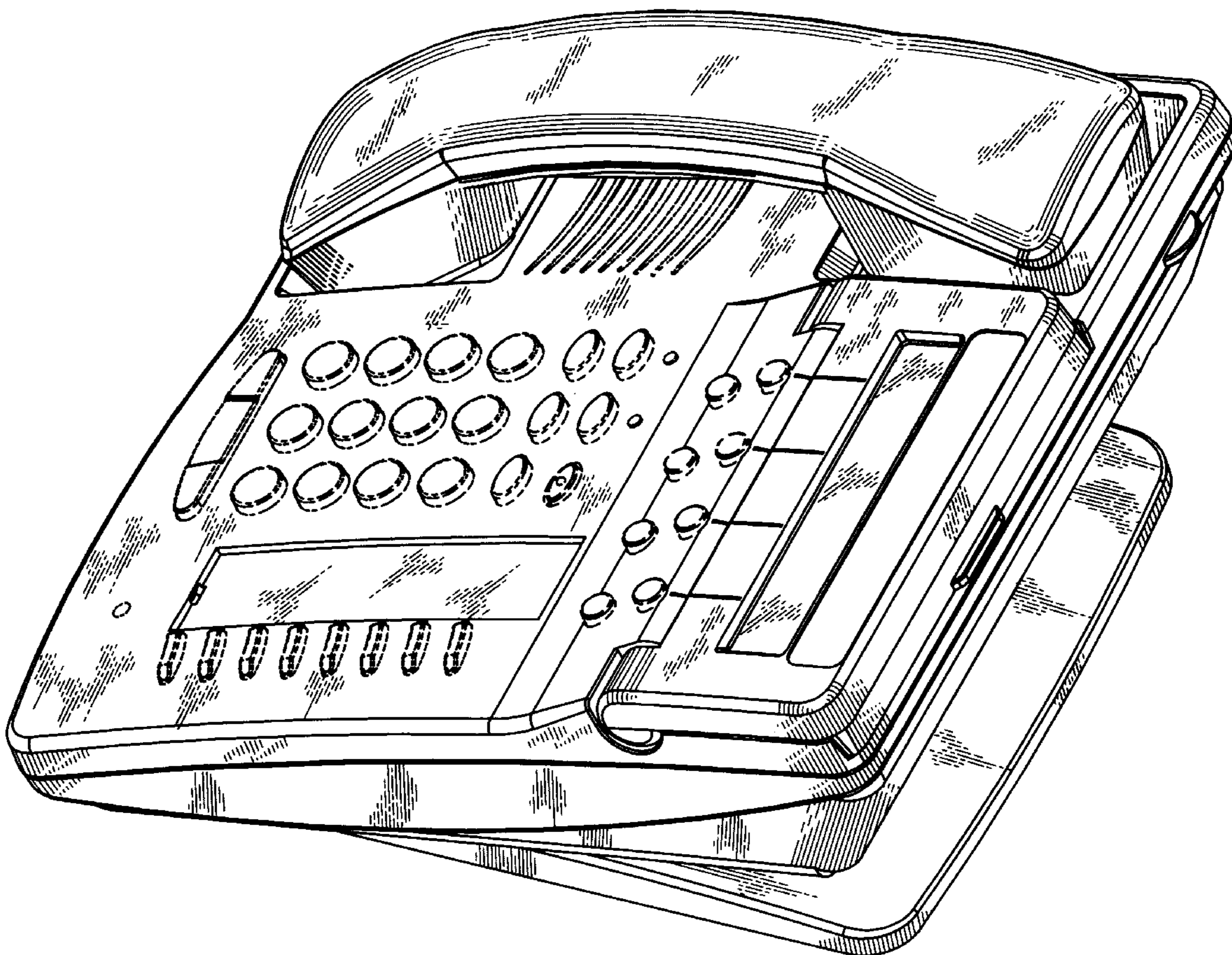


FIG. 1

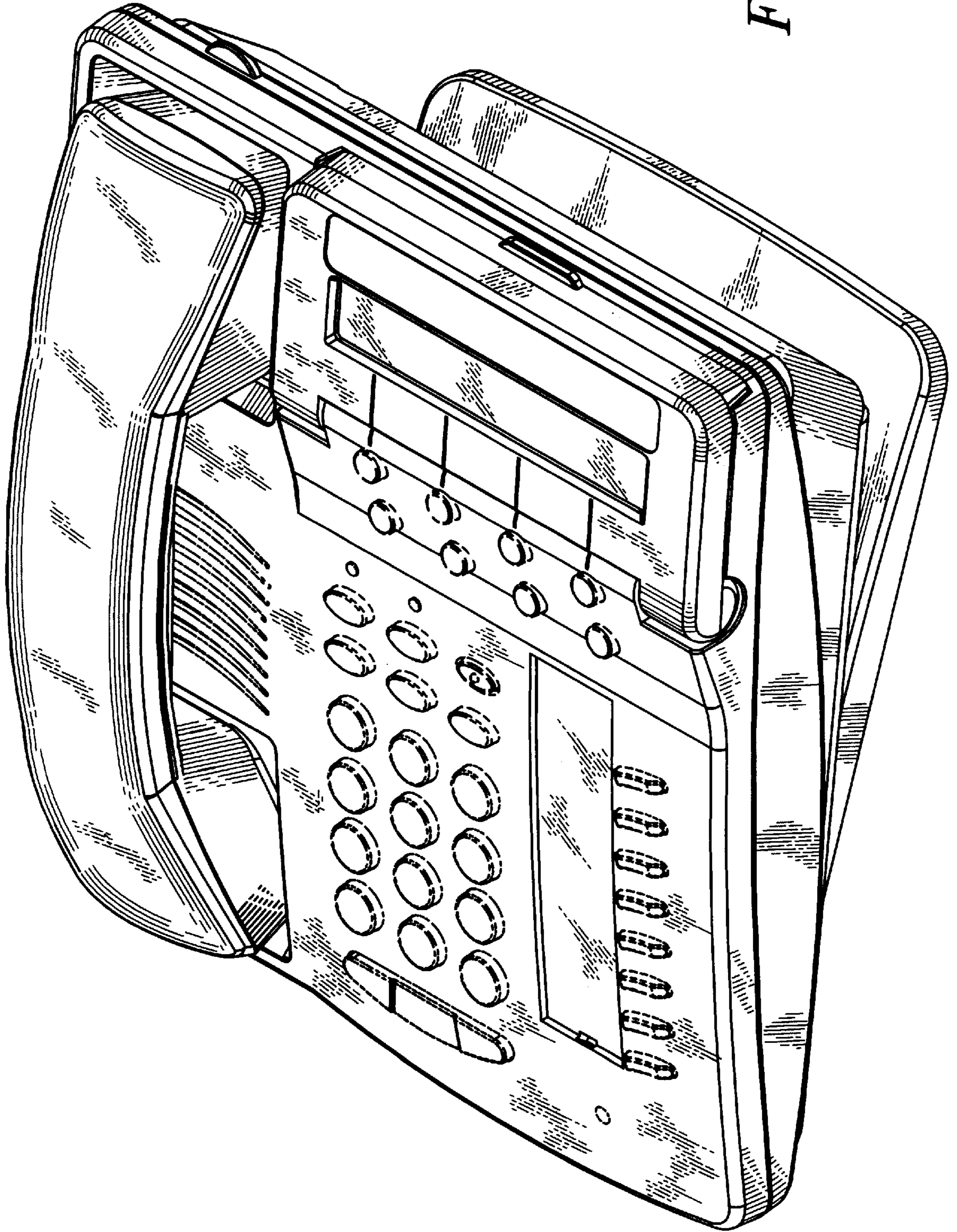


FIG. 2

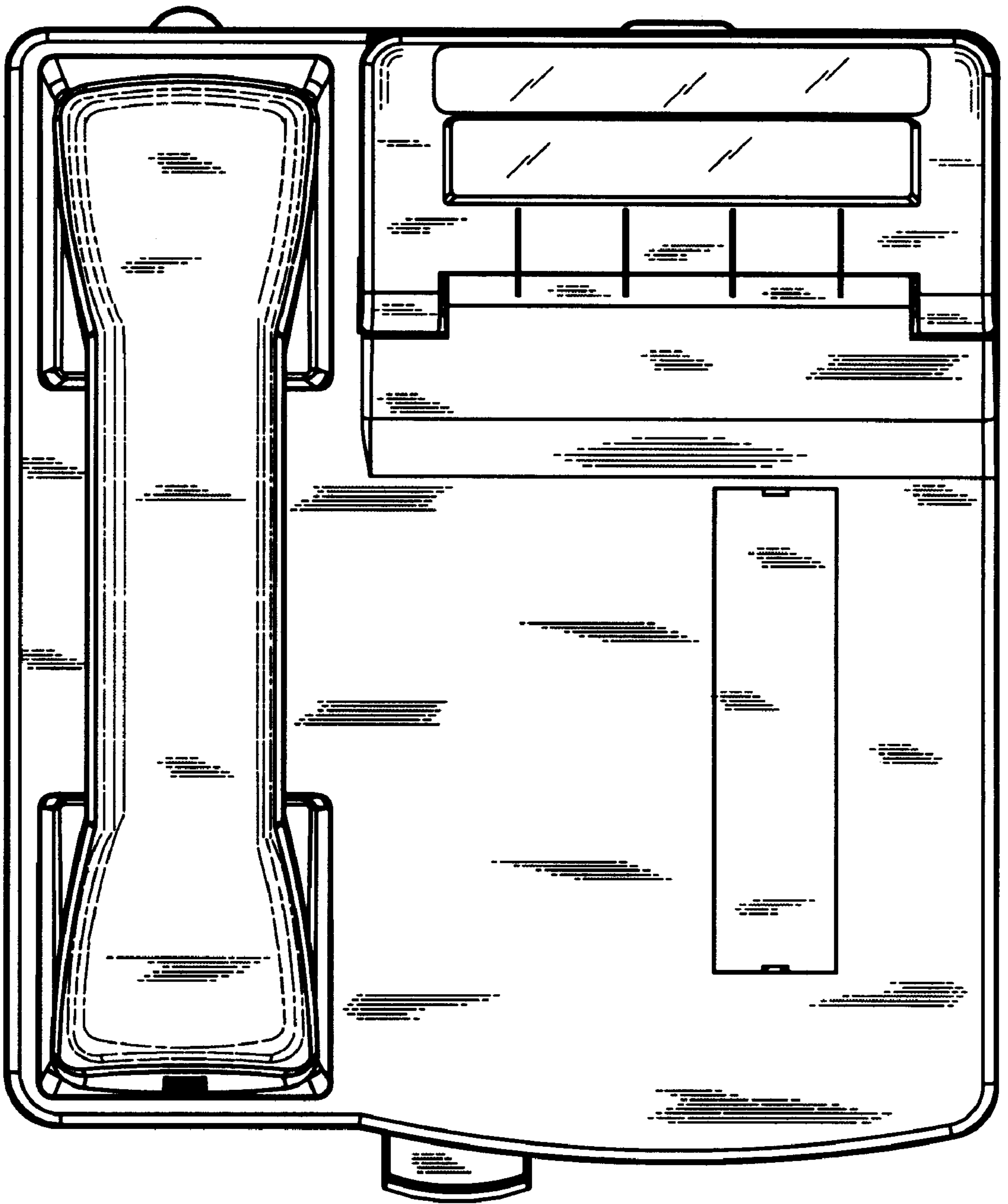


FIG. 3

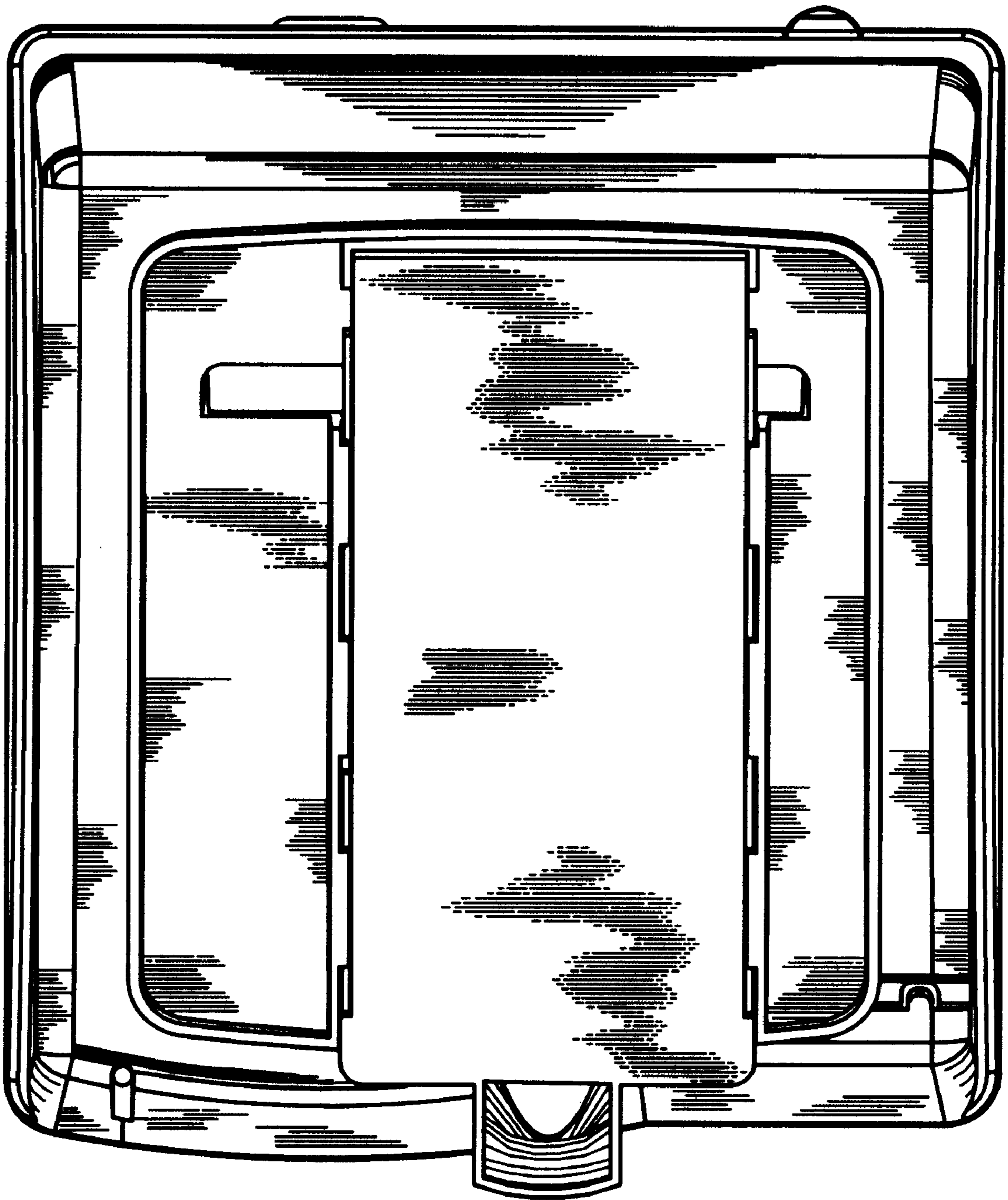


FIG. 4

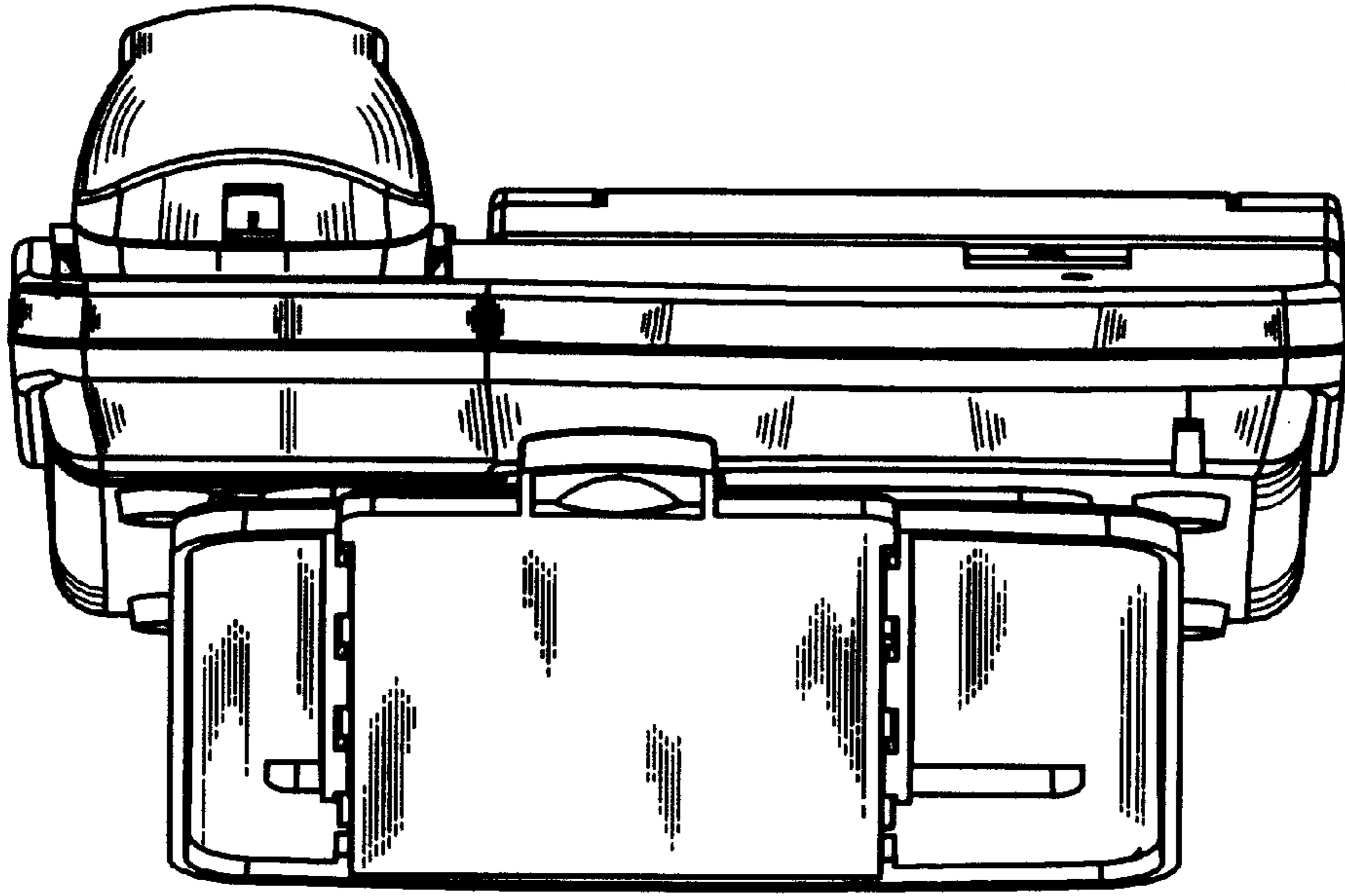


FIG. 5

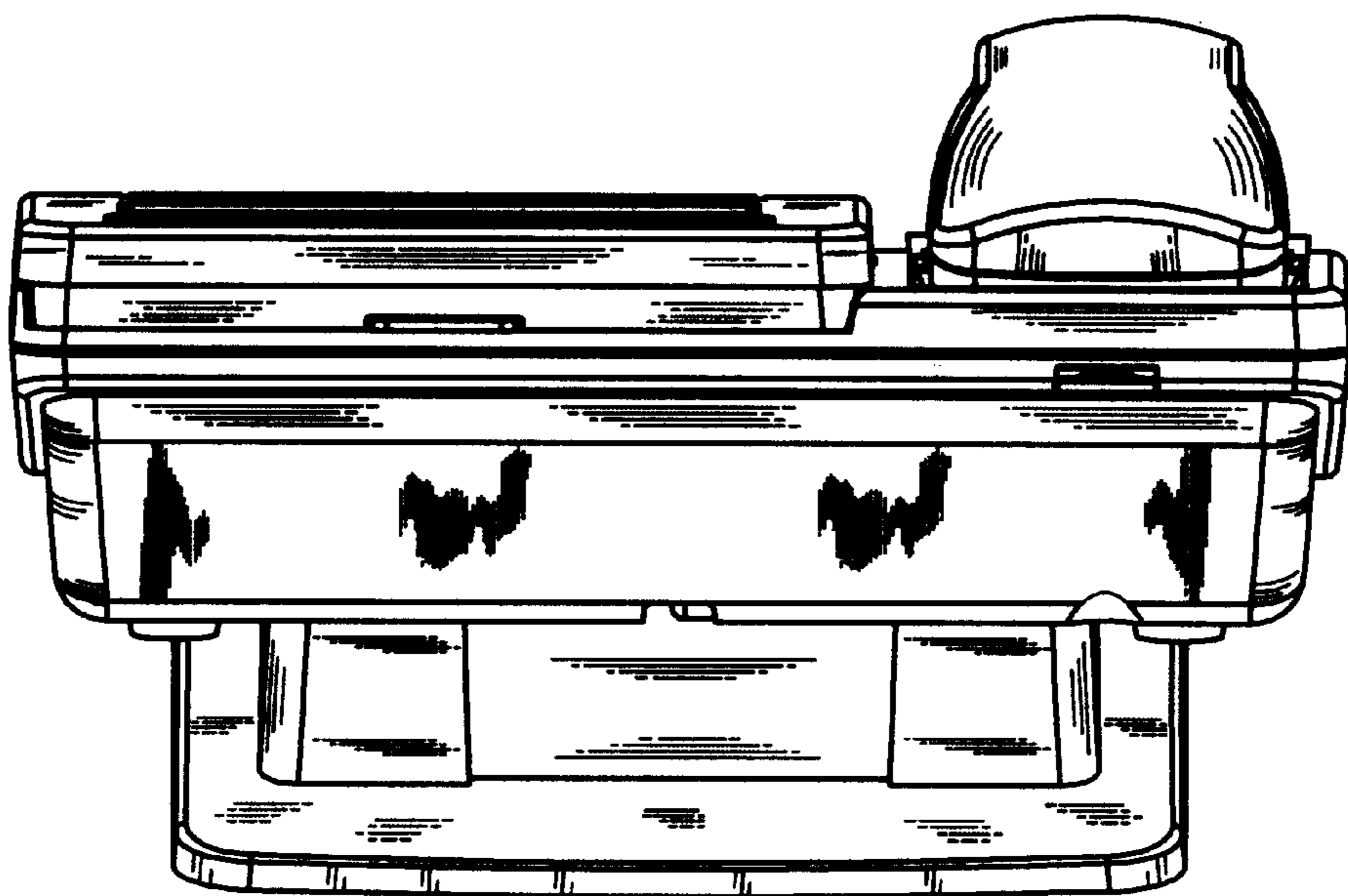


FIG. 6

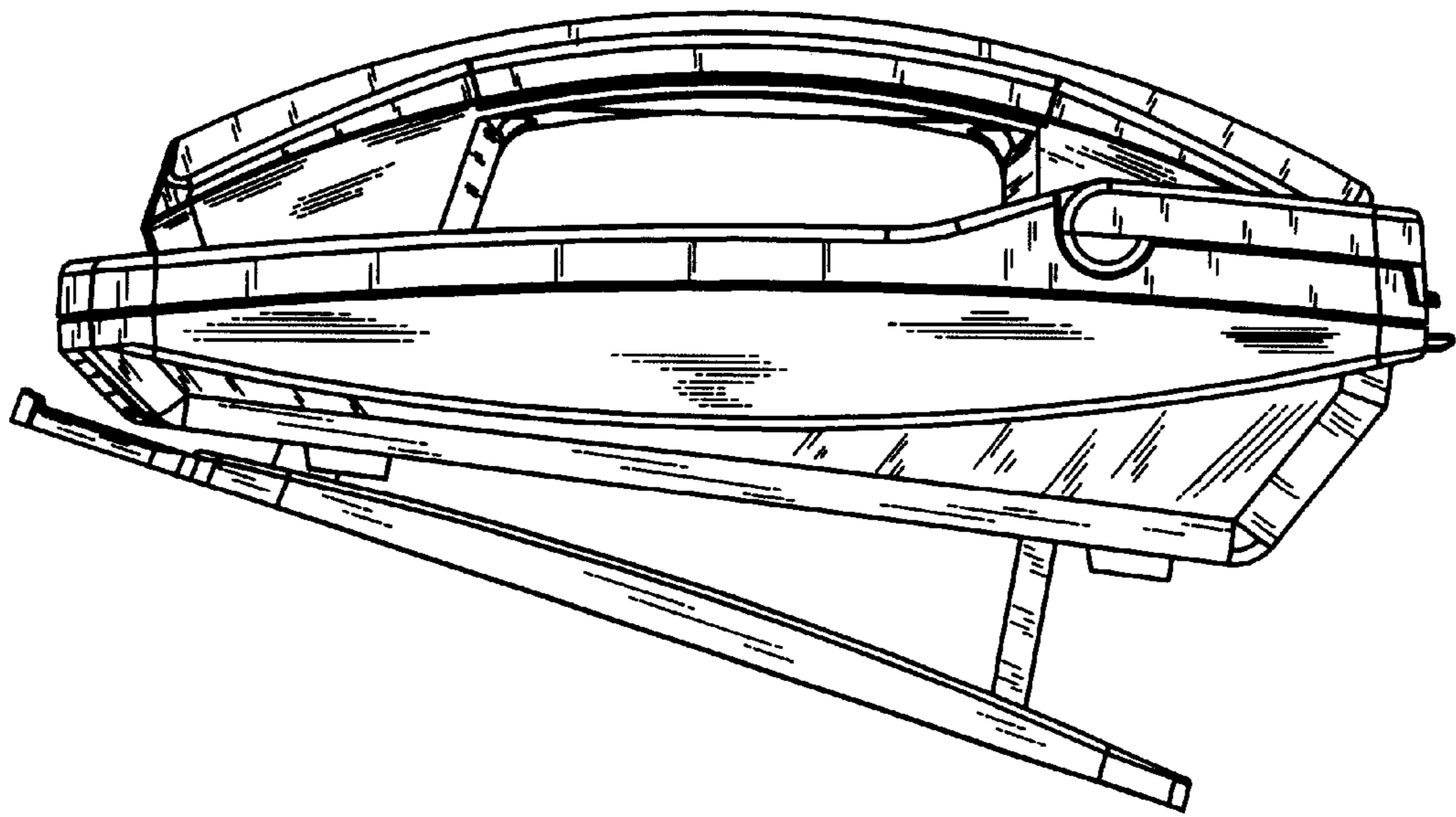


FIG. 7

