



US00D412167S

United States Patent [19] Rosen

[11] **Patent Number: Des. 412,167**
[45] **Date of Patent: ** Jul. 20, 1999**

[54] **WALL-MOUNTED DISPLAY SYSTEM**

5,842,672 12/1998 Sweere et al. 248/921 X

[75] Inventor: **John B. Rosen**, Eugene, Oreg.

Primary Examiner—Ted Shooman
Assistant Examiner—Richelle Shelton
Attorney, Agent, or Firm—Kolisch, Hartwell, Dickinson,
McCormack & Heuser

[73] Assignee: **Rosen Product Development, Inc.**,
Eugene, Oreg.

[**] Term: **14 Years**

[57] CLAIM

[21] Appl. No.: **29/083,852**

The ornamental design for a wall-mounted display system,
as shown and described.

[22] Filed: **Feb. 18, 1998**

DESCRIPTION

[51] **LOC (6) Cl.** **14-03**

[52] **U.S. Cl.** **D14/126; D14/113**

[58] **Field of Search** D14/113, 126-134;
D19/60; 312/7.2; 248/917-924; 348/825,
827, 836, 837

FIG. 1 is an isometric view of a wall-mounted display system constructed in accordance with the present invention, the display screen being shown as environment in dashed lines and forming no part of the claimed design;

FIG. 2 is a front view thereof;

FIG. 3 is a rear view thereof;

FIG. 4 is a left-side view thereof;

FIG. 5 is a right-side view thereof;

FIG. 6 is a top view thereof; and,

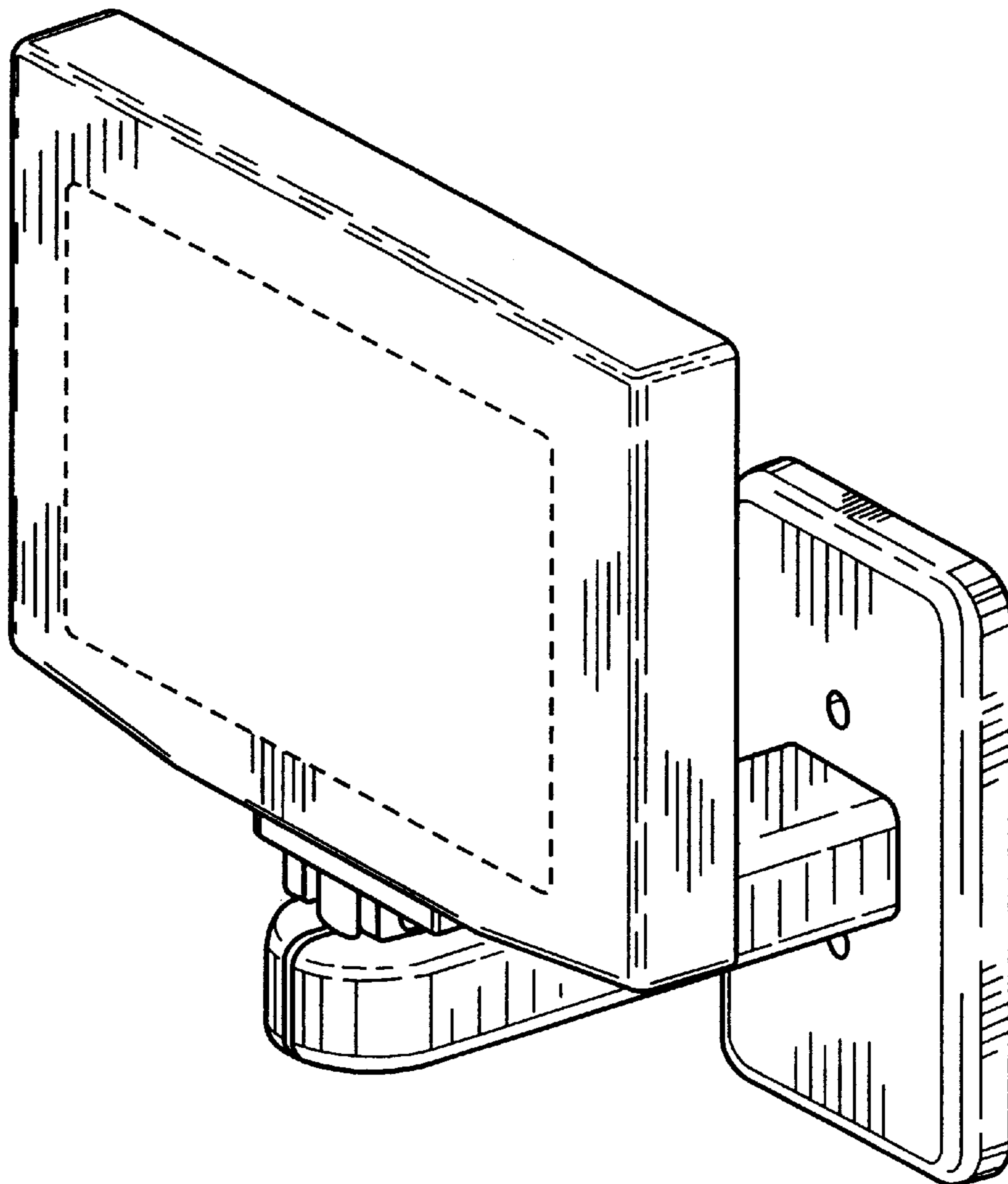
FIG. 7 is a bottom view thereof.

[56] References Cited

U.S. PATENT DOCUMENTS

- 4,438,458 3/1984 Munscher .
- 4,836,486 6/1989 Vossoughi et al. .
- 5,179,447 1/1993 Lain .
- 5,311,302 5/1994 Berry et al. .

1 Claim, 2 Drawing Sheets



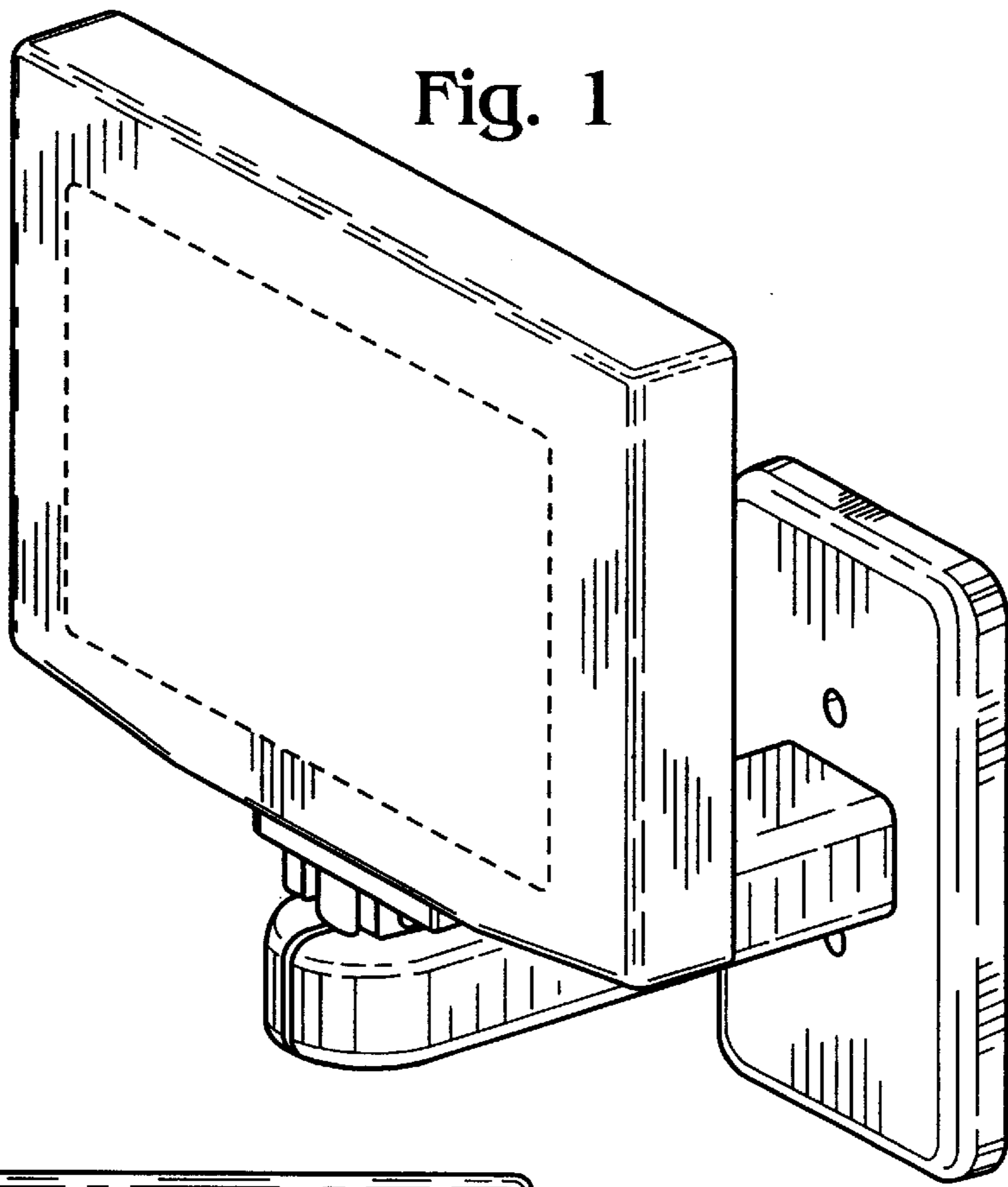


Fig. 2

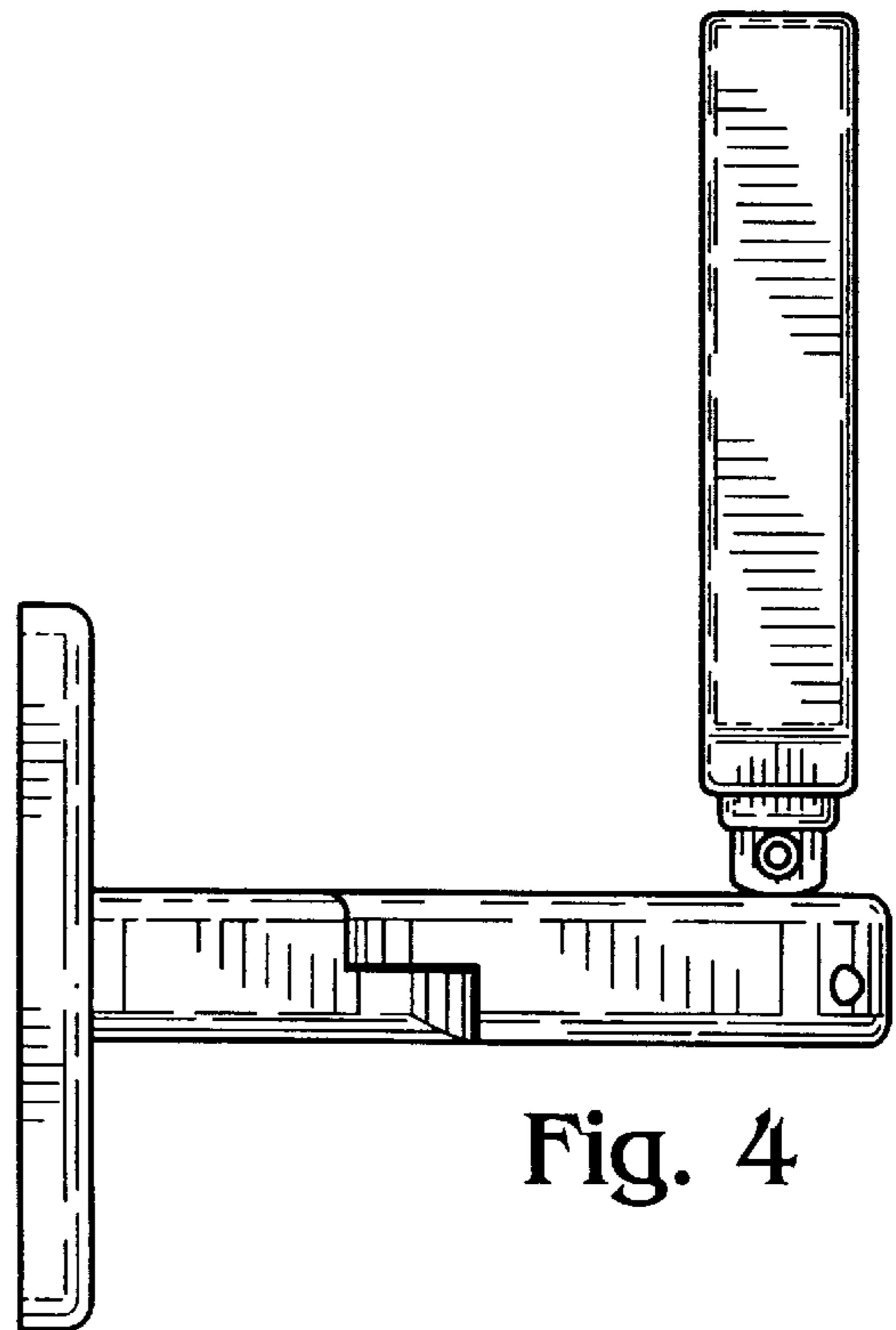
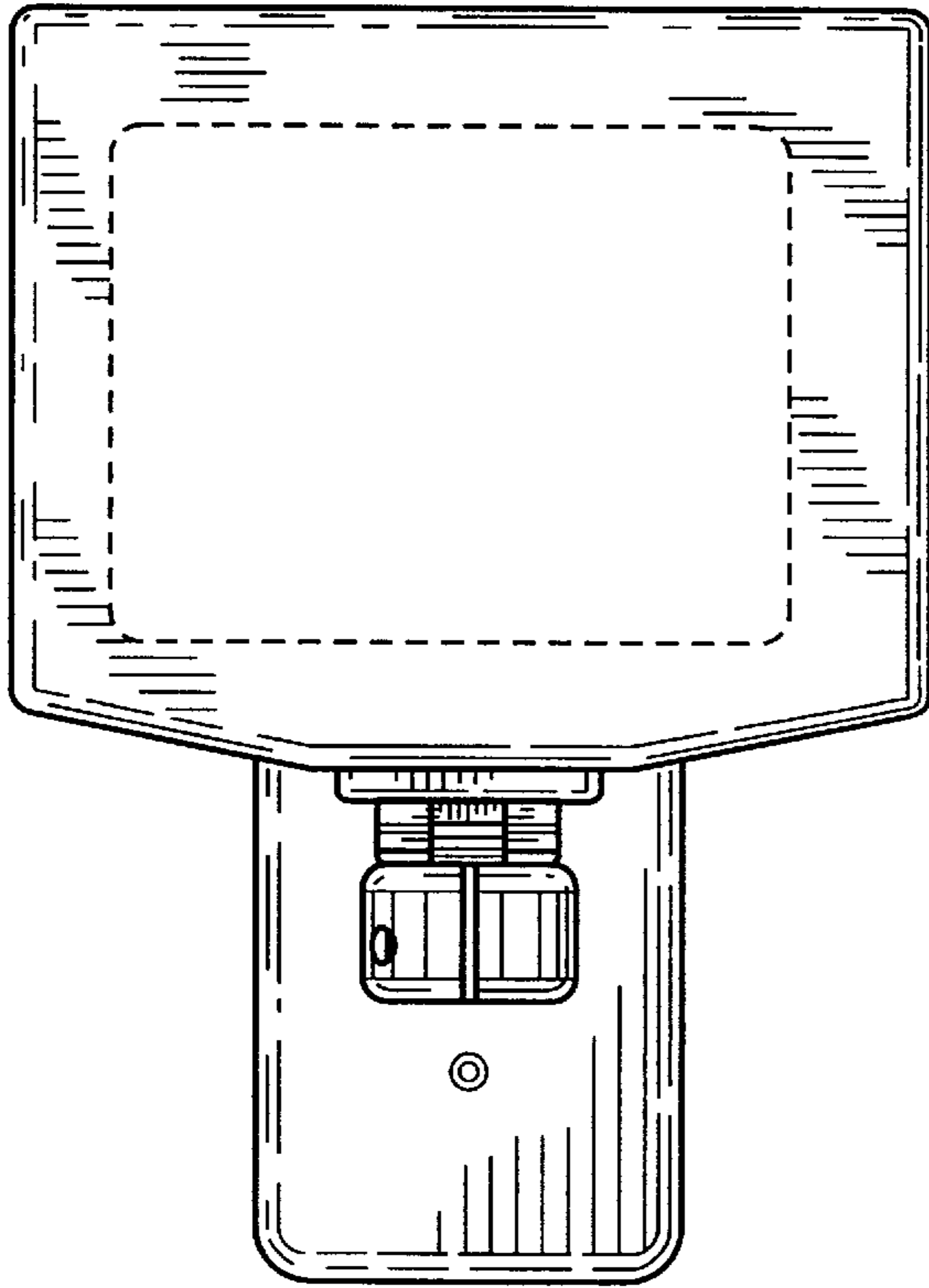


Fig. 5

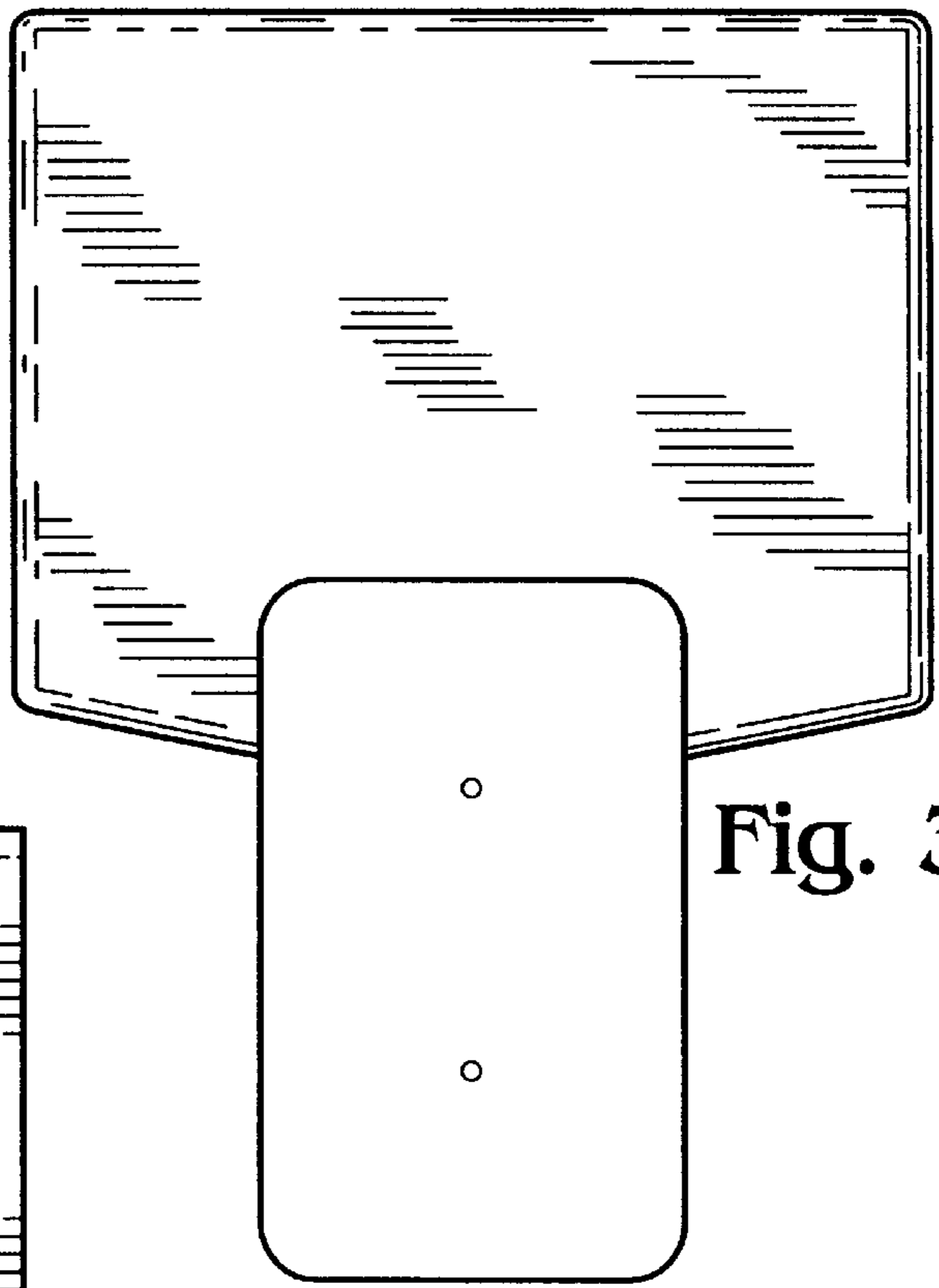
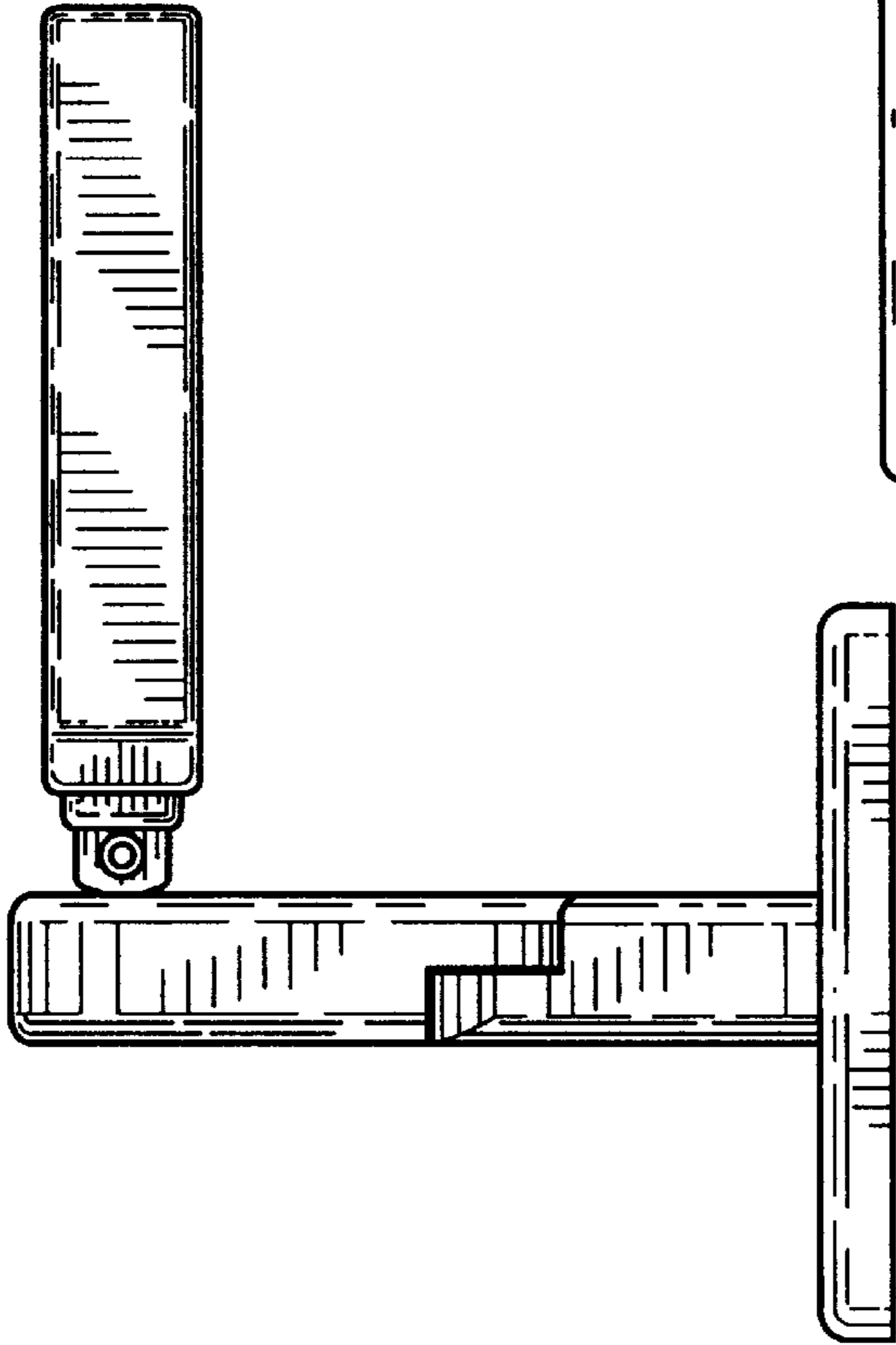


Fig. 3

Fig. 6

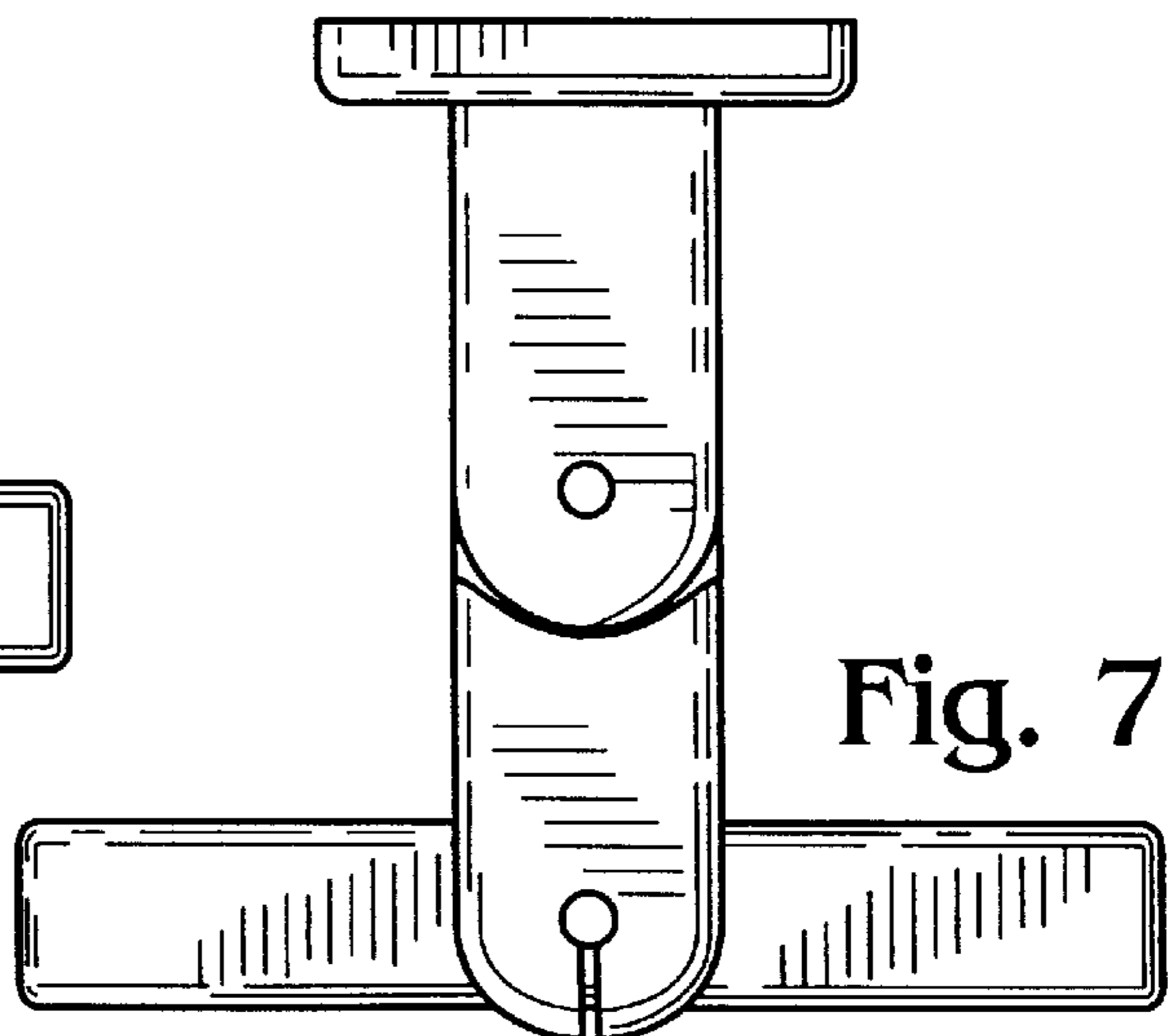
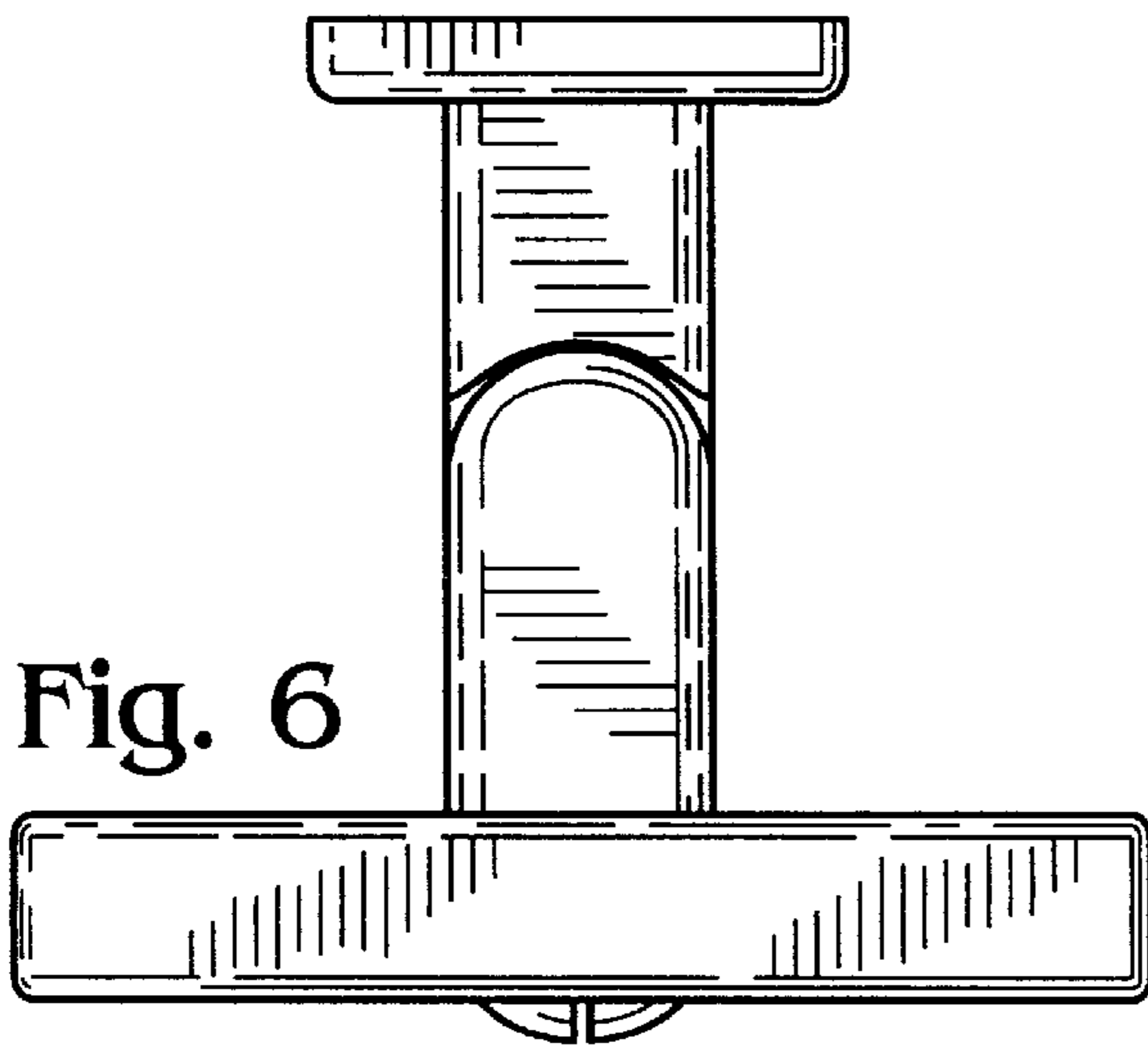


Fig. 7