



US00D412166S

United States Patent [19]
Kumagai et al.

[11] **Patent Number: Des. 412,166**
[45] **Date of Patent: ** Jul. 20, 1999**

[54] **TELEVISION RECEIVER**

[75] Inventors: **Yoshiaki Kumagai; Noriaki Takagi; Shigeyuki Kazama**, all of Tokyo, Japan

[73] Assignee: **Sony Kabushiki Kaisha**, Tokyo, Japan

[**] Term: **14 Years**

[21] Appl. No.: **29/071,901**

[22] Filed: **May 27, 1997**

[51] **LOC (6) Cl.** **14-03**

[52] **U.S. Cl.** **D14/126**

[58] **Field of Search** D14/113, 124-134;
312/7.2; 348/836, 838

[56] **References Cited**

U.S. PATENT DOCUMENTS

D. 306,020	2/1990	Hokazono et al.	D14/133
D. 307,899	5/1990	Satake et al.	D14/133
D. 369,790	5/1996	Kim	D14/113
D. 384,659	10/1997	Suzuki	D14/126
4,831,449	5/1989	Kimura	348/836 X

Primary Examiner—Ted Shooman
Assistant Examiner—Richelle Shelton
Attorney, Agent, or Firm—Morgan & Finnegan LLP

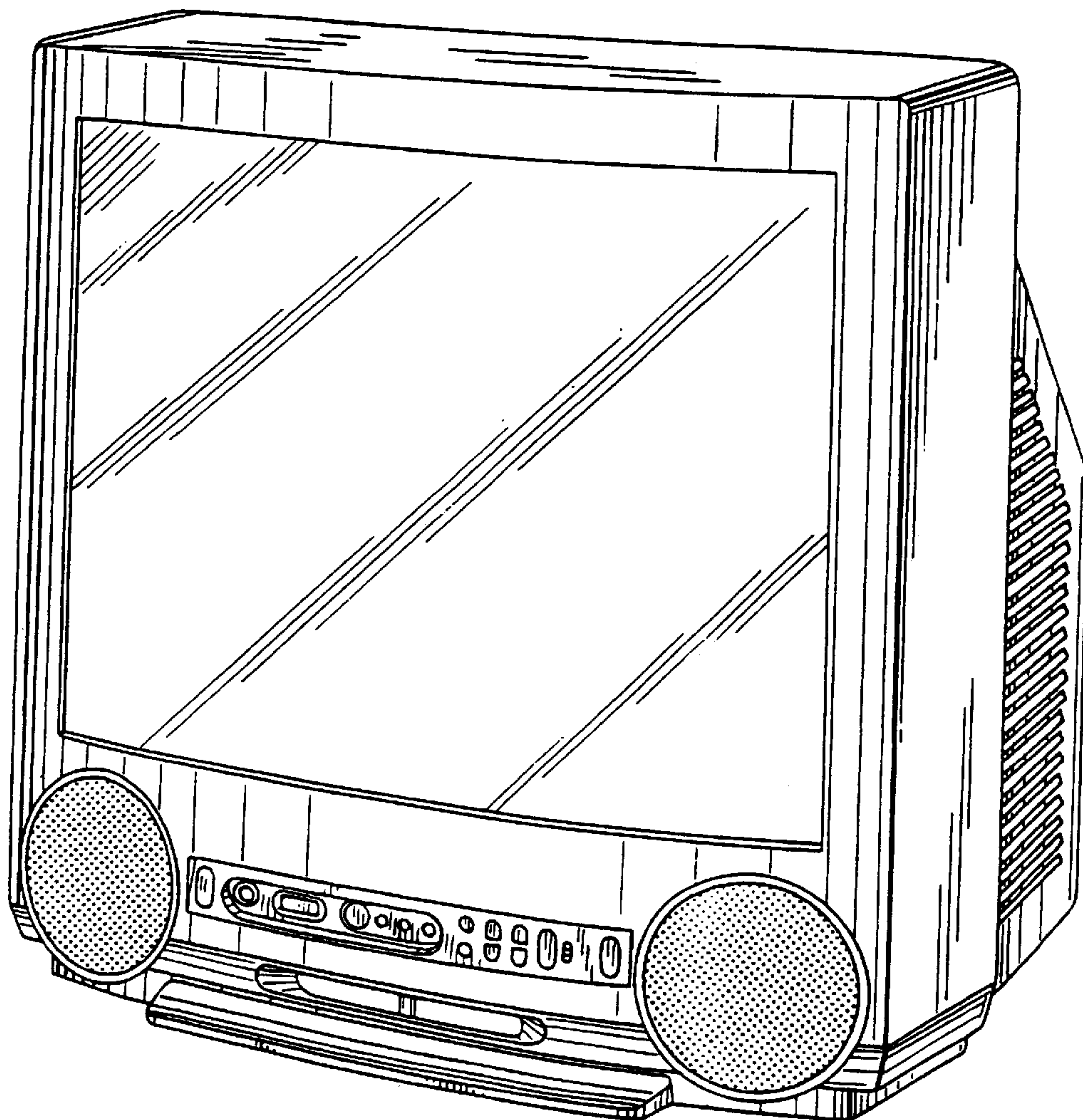
[57] **CLAIM**

We claim the ornamental design for a television receiver, as shown and described.

DESCRIPTION

FIG. 1 is a perspective view of our television receiver in accordance with the present invention.
FIG. 2 is a front elevation view of the television receiver in accordance with the present invention.
FIG. 3 is a top plan view of the television receiver in accordance with the present invention.
FIG. 4 is a right side elevation view of the television receiver in accordance with the present invention.
FIG. 5 is a left side elevation view of the television receiver in accordance with the present invention.
FIG. 6 is a bottom plan view of the television receiver in accordance with the present invention; and,
FIG. 7 is a rear elevation view of the television receiver in accordance with the present invention.

1 Claim, 7 Drawing Sheets



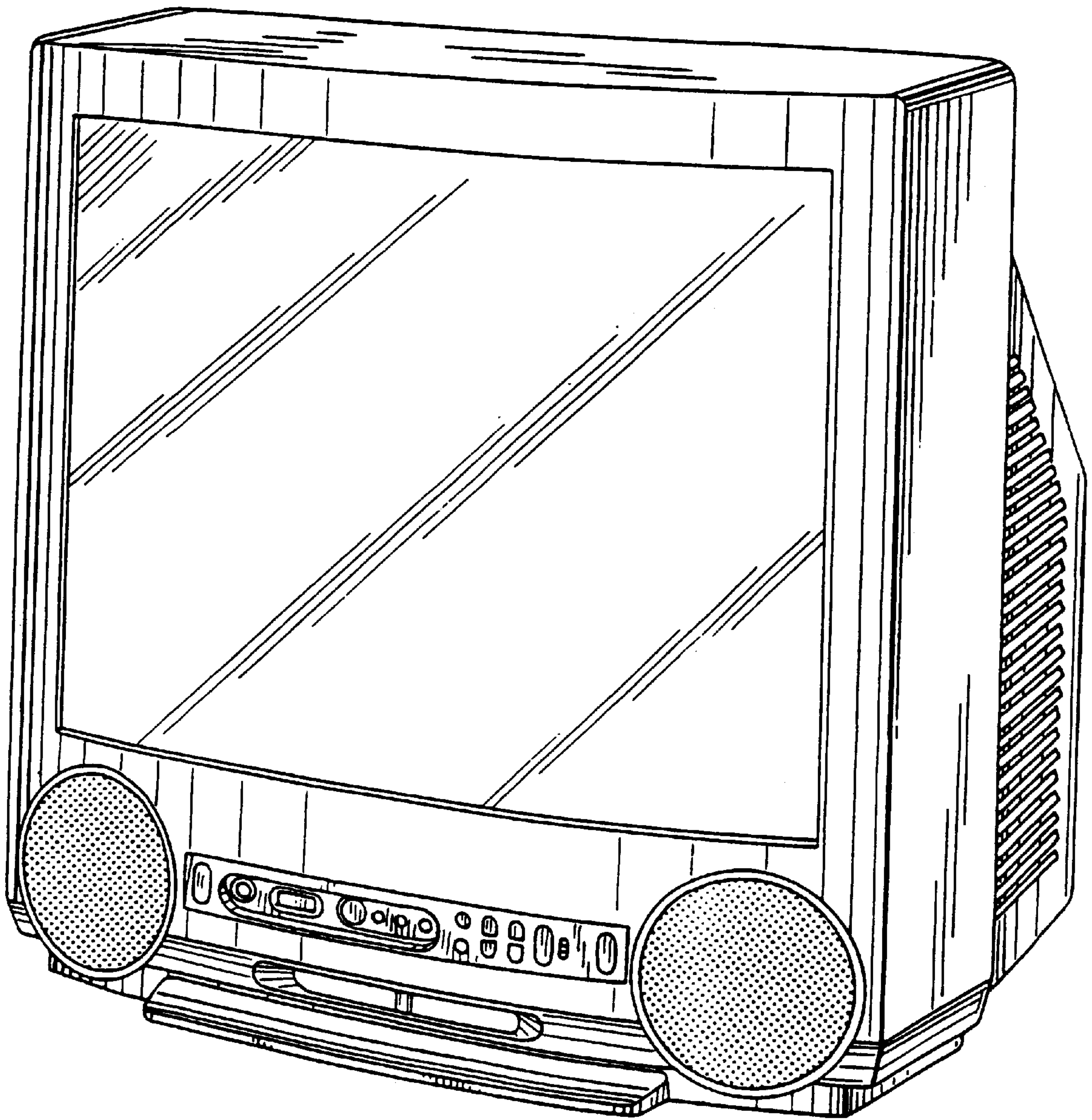


FIG. 1

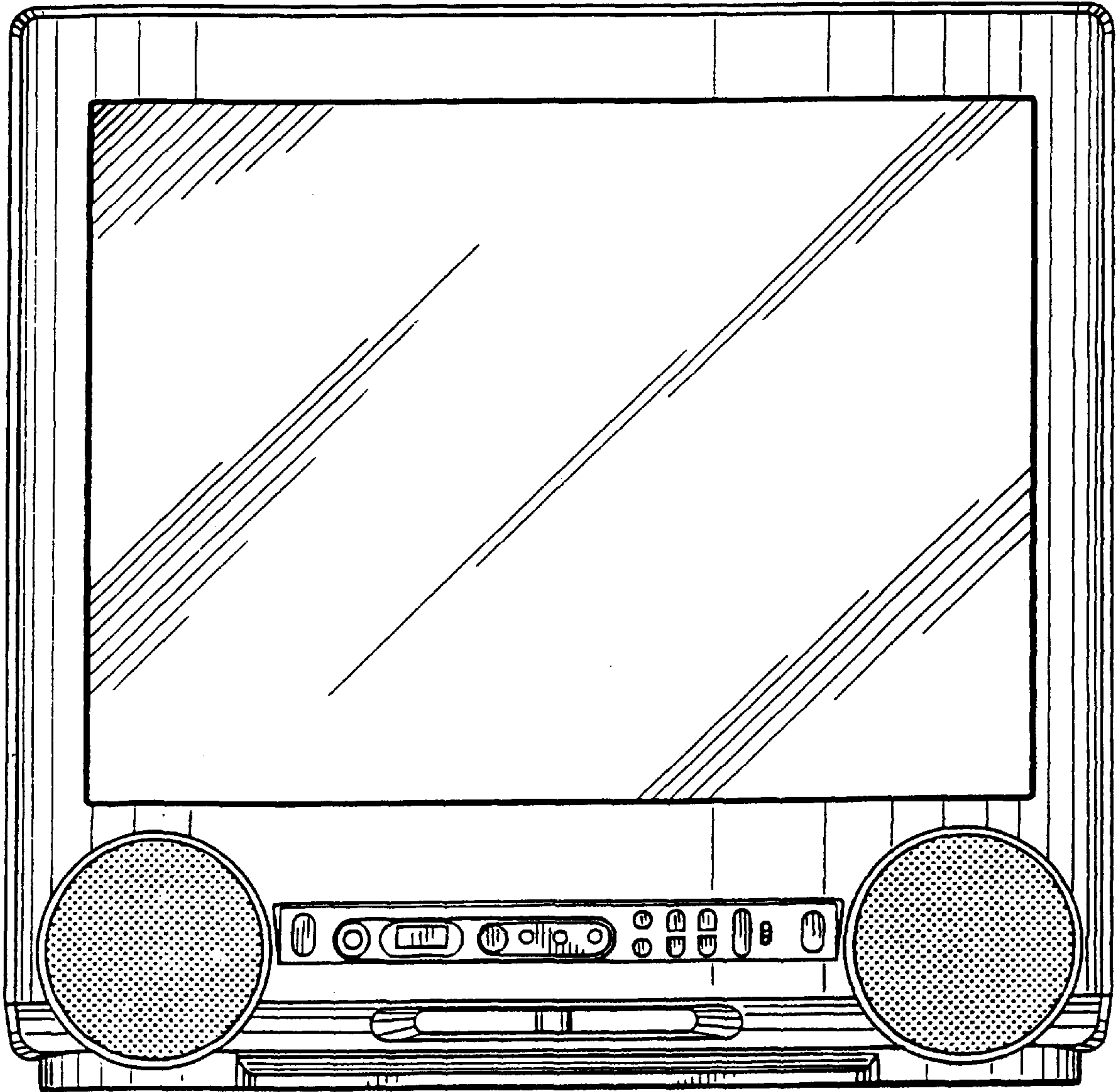


FIG.2

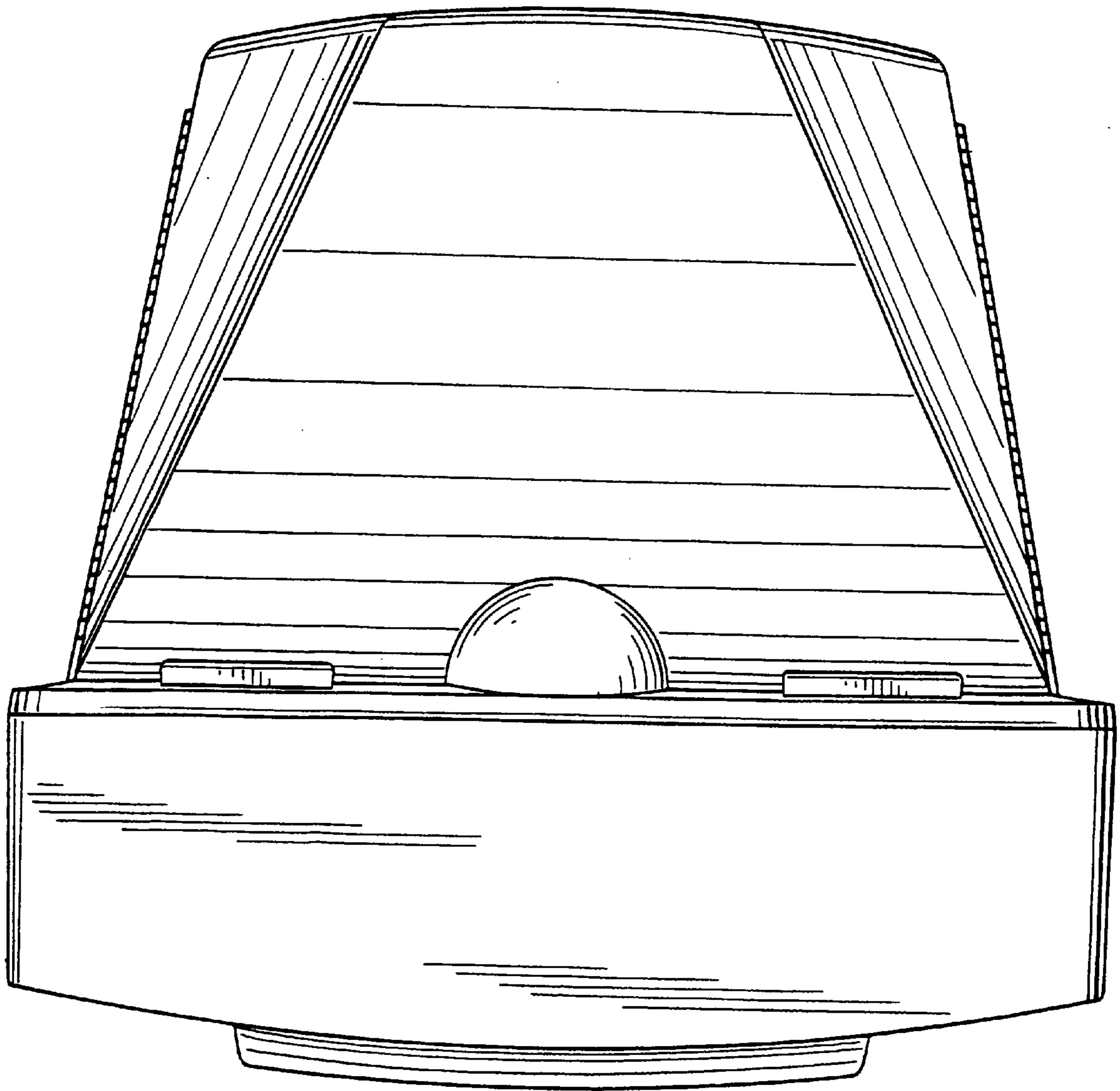


FIG.3

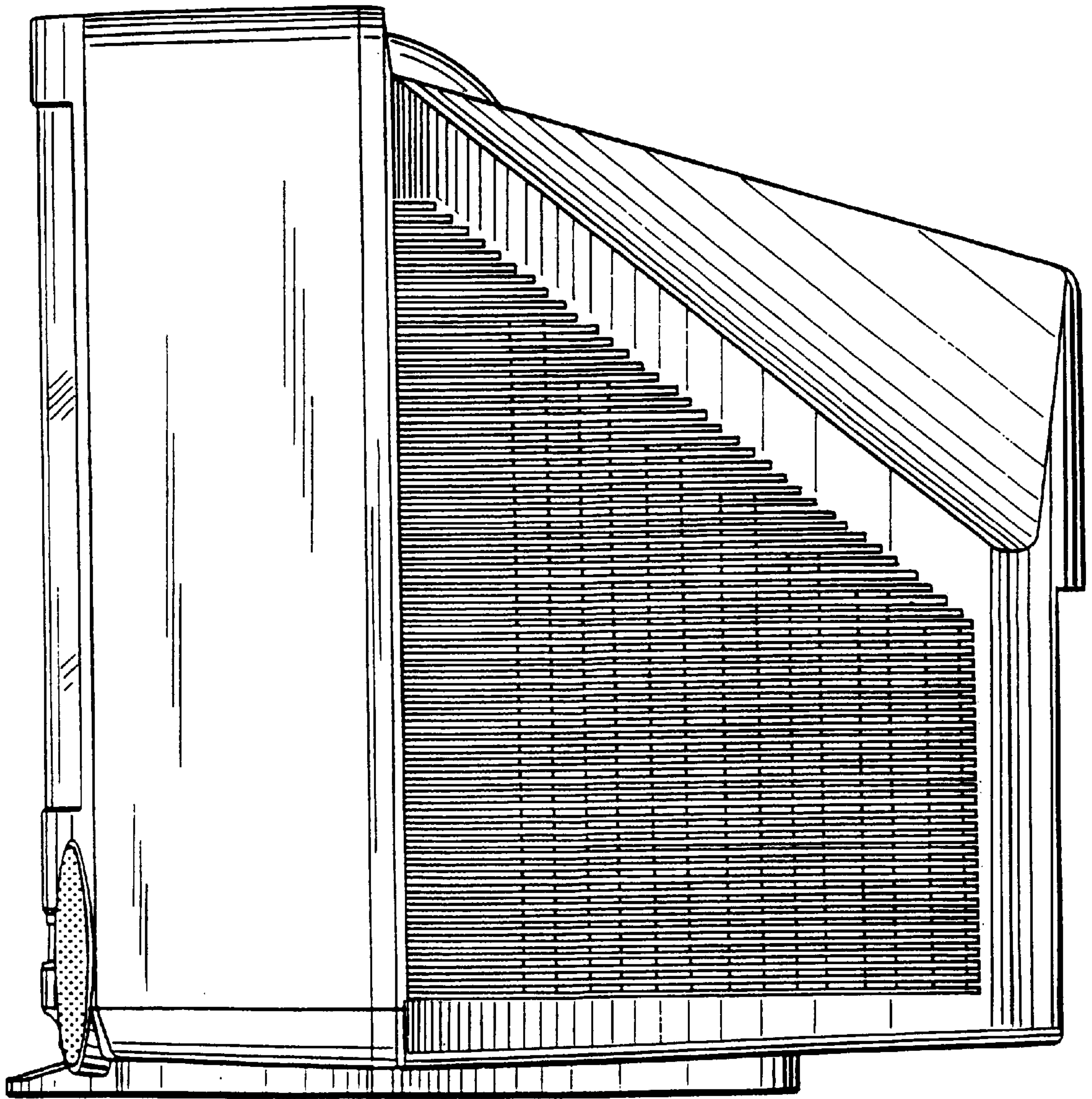


FIG.4

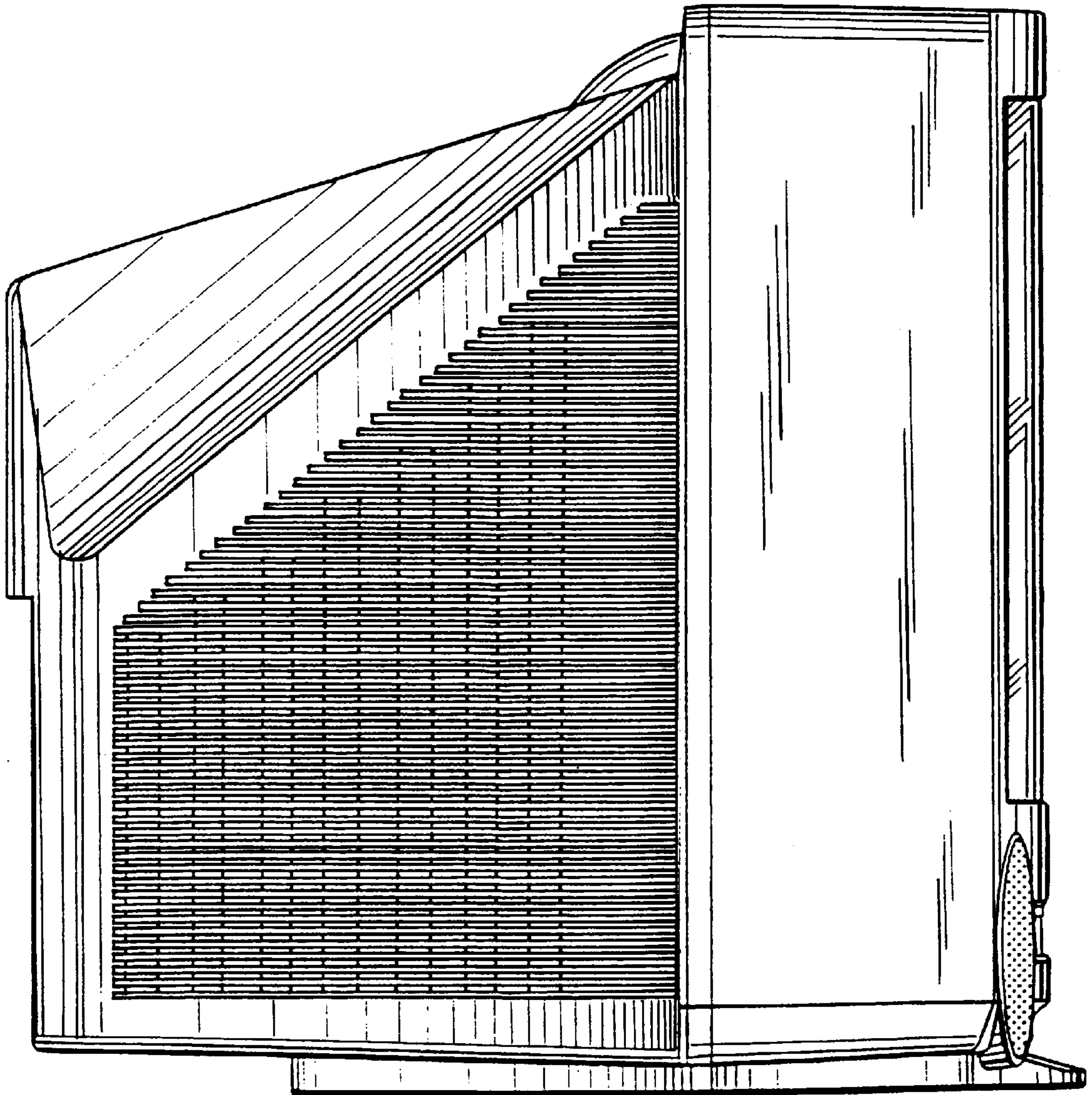


FIG.5

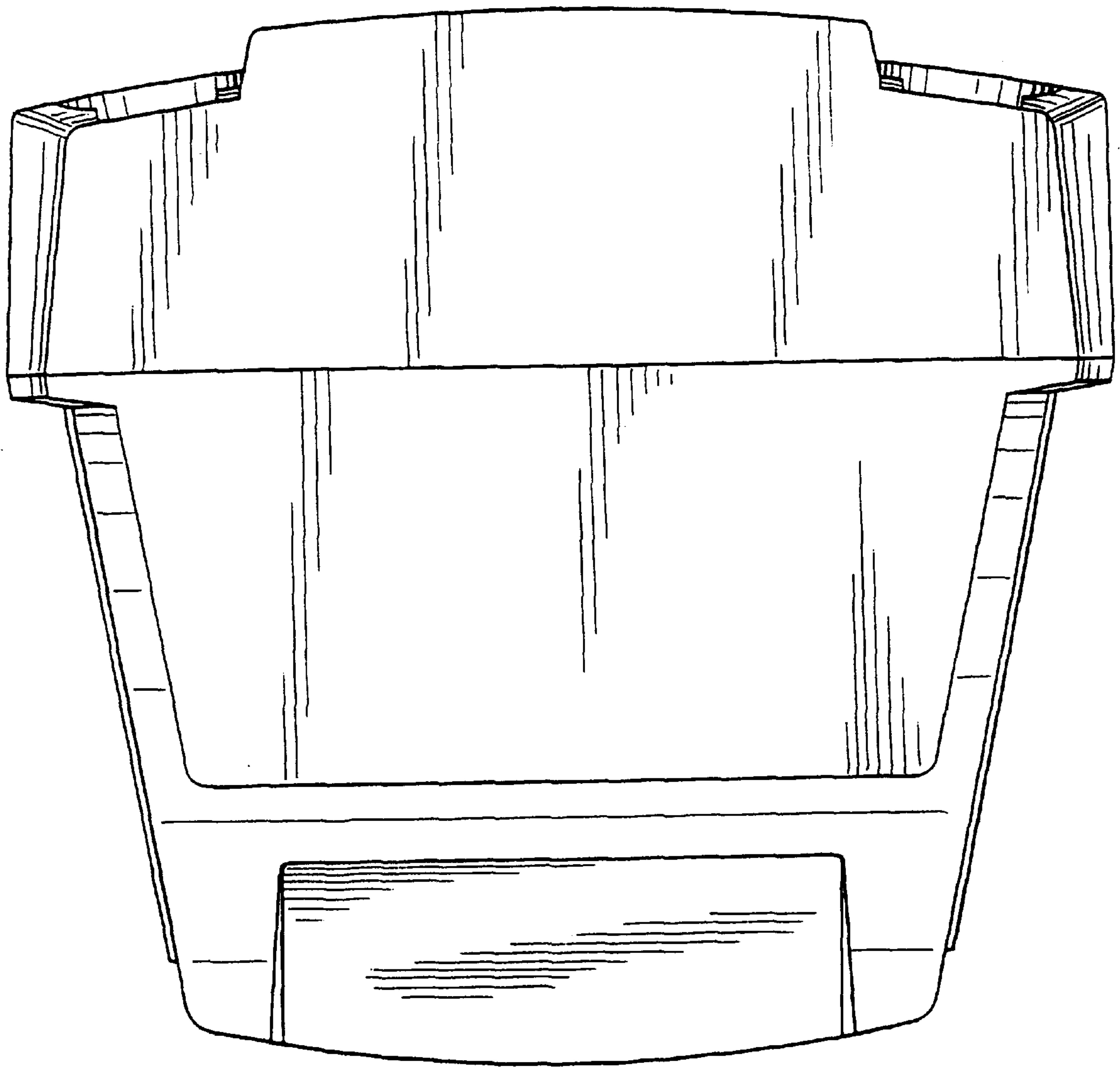


FIG.6

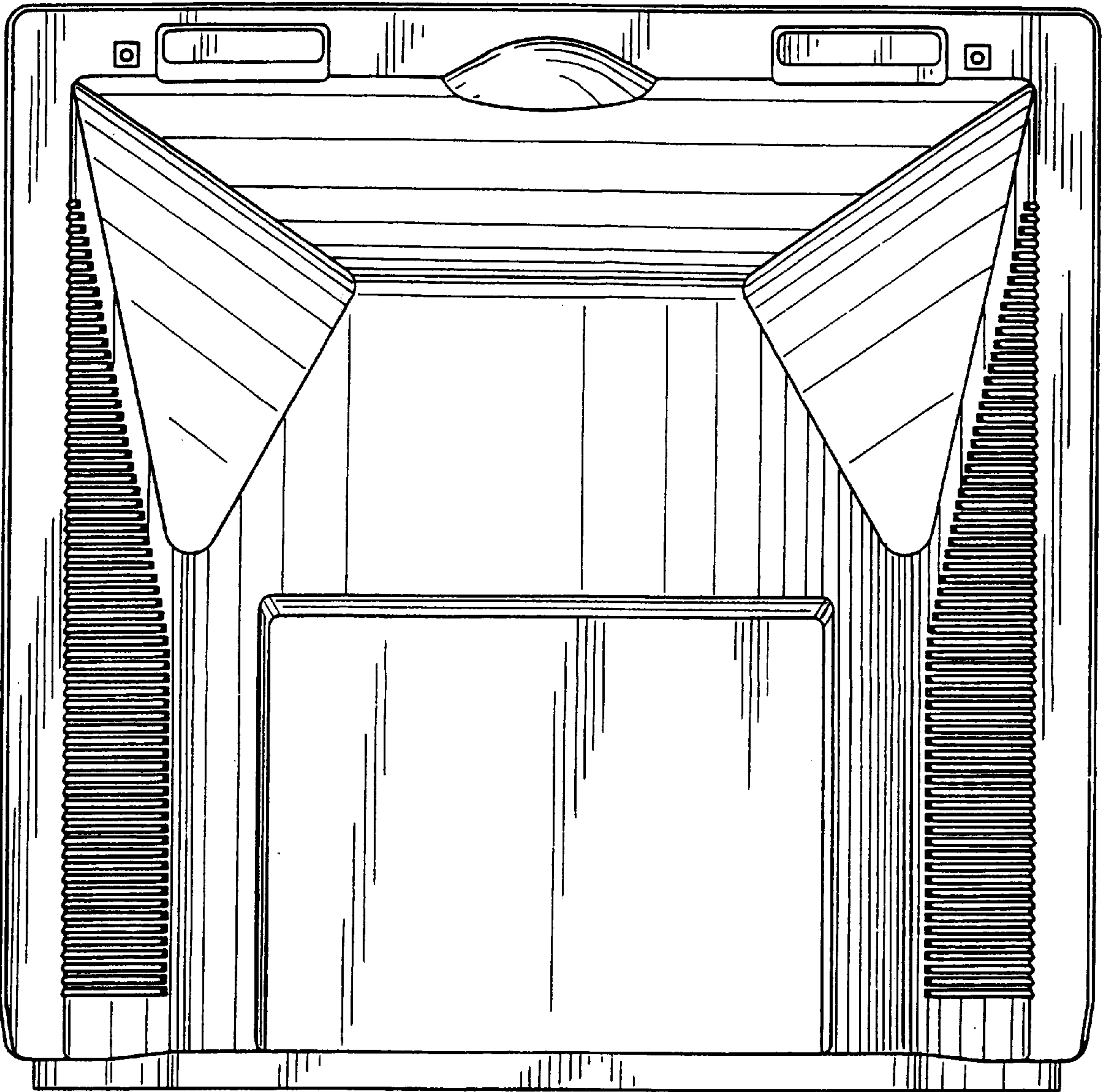


FIG.7