



US00D412162S

United States Patent [19]

Tal et al.

[11] Patent Number: **Des. 412,162**

[45] Date of Patent: **** Jul. 20, 1999**

[54] **CRADLE FOR USE WITH A HANDHELD COMPUTER DEVICE**

D. 320,980 10/1991 Howard et al. D14/114
D. 366,659 1/1996 Ross et al. D14/114
D. 373,121 8/1996 Deluliis et al. D14/114

[75] Inventors: **Elisha Avraham Tal**, Macabim, Israel;
Amy Aimei Han, Mountain View, Calif.; **Traci Angela Neist**, Palo Alto, Calif.; **Robert Gregory Twiss**, Portola Valley, Calif.; **Dennis Joseph Boyle**, Palo Alto, Calif.

Primary Examiner—Kay H. Chin
Attorney, Agent, or Firm—Wilson, Sonsini, Goodrich & Rosati

[73] Assignee: **3 Com Corporation**, Santa Clara, Calif.

[57] **CLAIM**

The ornamental design for a cradle for use with a handheld computer device, as shown and described.

[**] Term: **14 Years**

DESCRIPTION

[21] Appl. No.: **29/095,810**

FIG. 1 is a front left perspective view of a cradle for use with a handheld computer device, showing our new design;

[22] Filed: **Oct. 30, 1998**

FIG. 2 is a front view thereof;

[51] **LOC (6) Cl.** **14-02**

[52] **U.S. Cl.** **D14/114**

FIG. 3 is a rear view thereof;

[58] **Field of Search** D14/100, 102,
D14/107, 114, 138; 345/156, 168, 173,
901, 905, 130; 364/708.1; 361/679-683,
686; 248/917-924

FIG. 4 is a right side view thereof;

FIG. 5 is a left side view thereof;

FIG. 6 is a top view thereof; and,

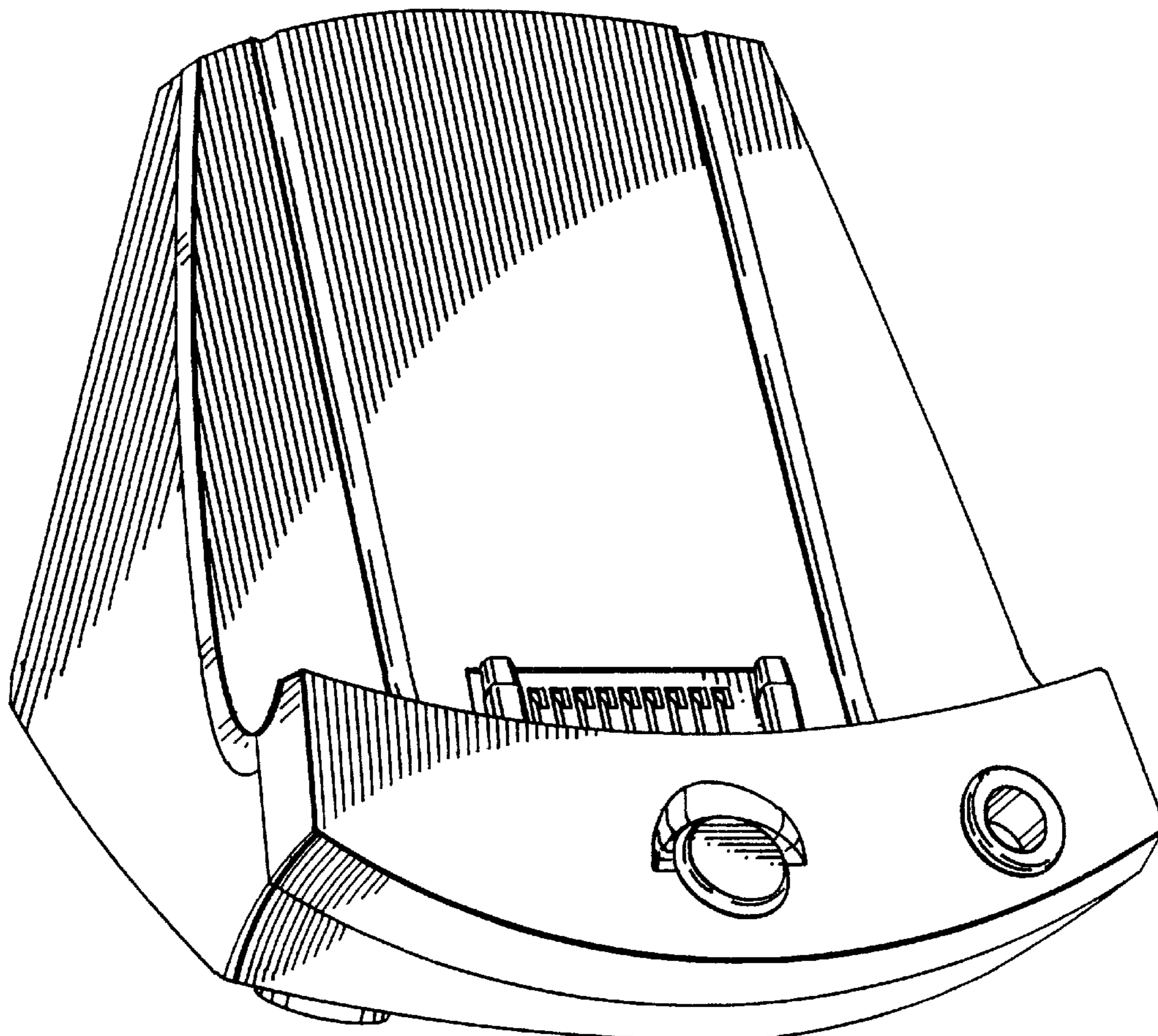
FIG. 7 is a bottom view thereof.

[56] **References Cited**

U.S. PATENT DOCUMENTS

D. 318,467 7/1991 Smith D14/114

1 Claim, 7 Drawing Sheets



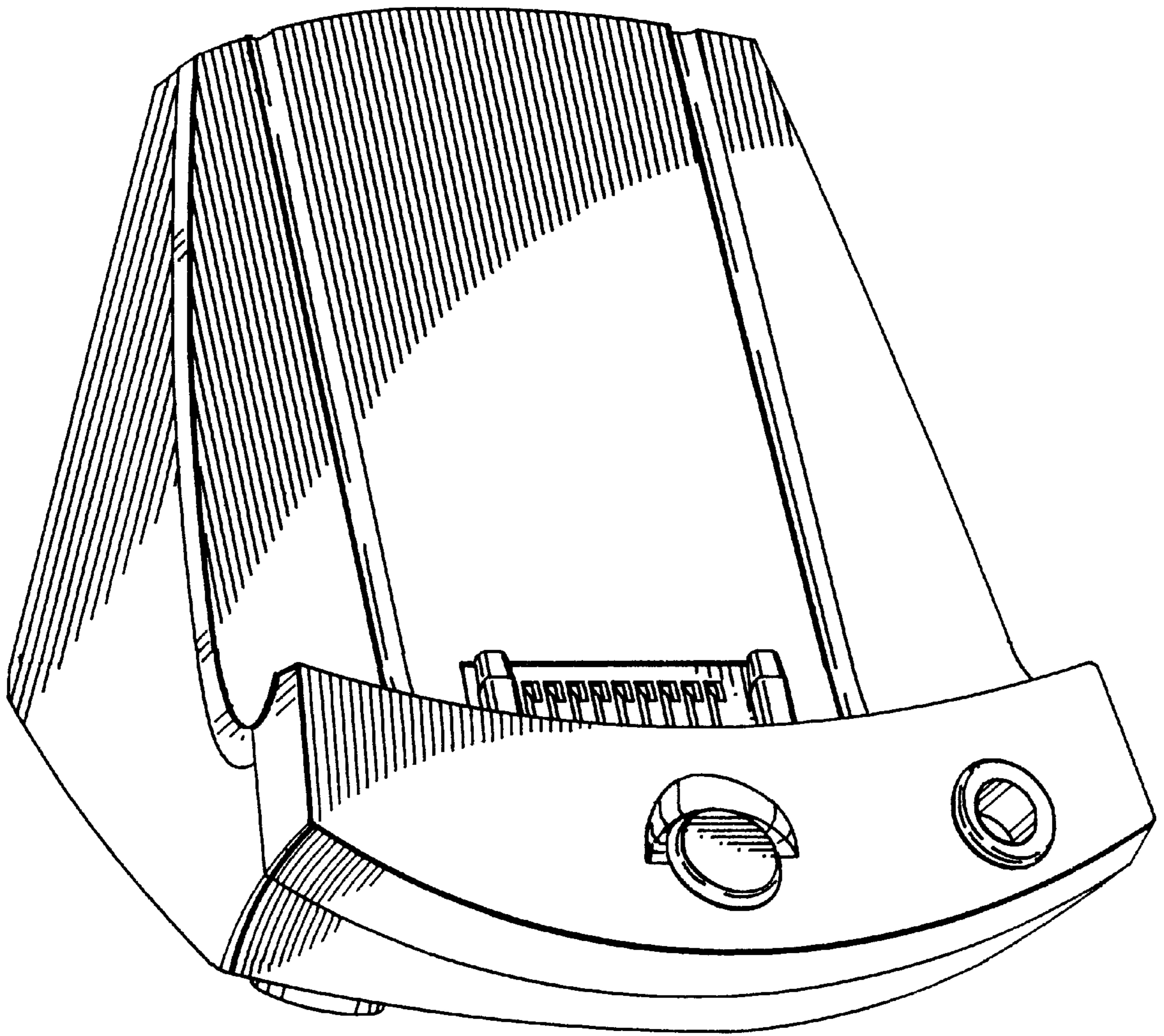


FIG. - 1

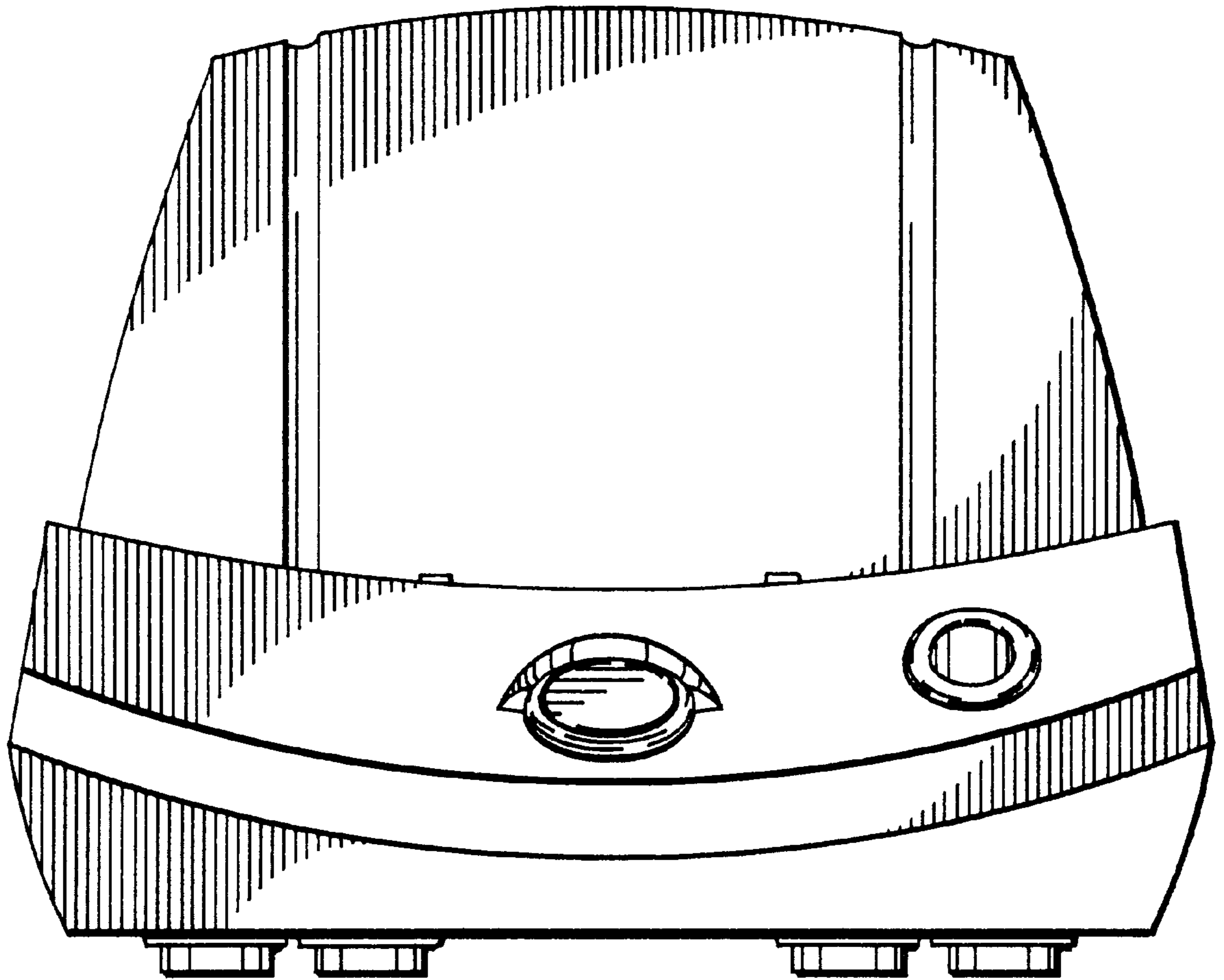


FIG. - 2

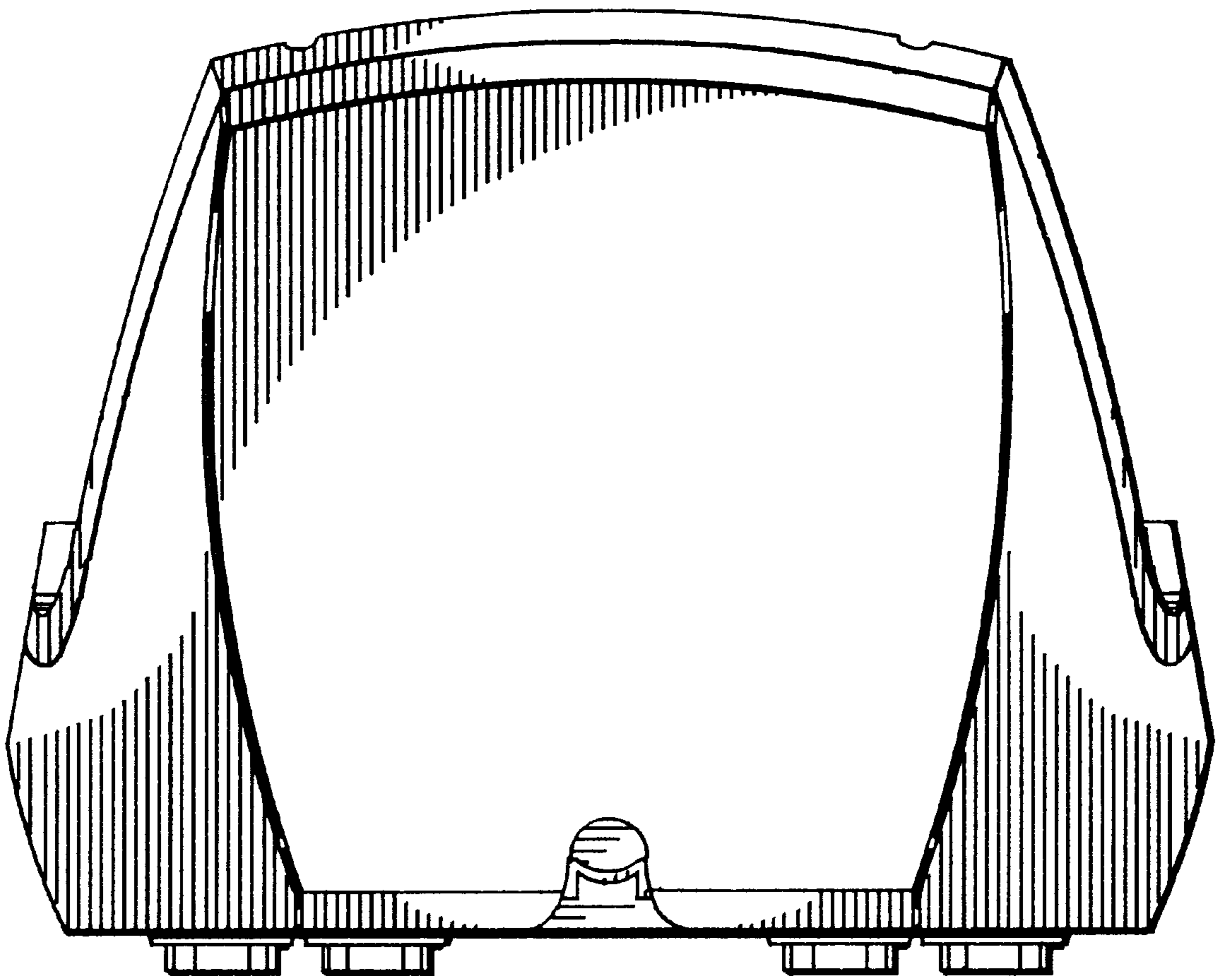


FIG. - 3

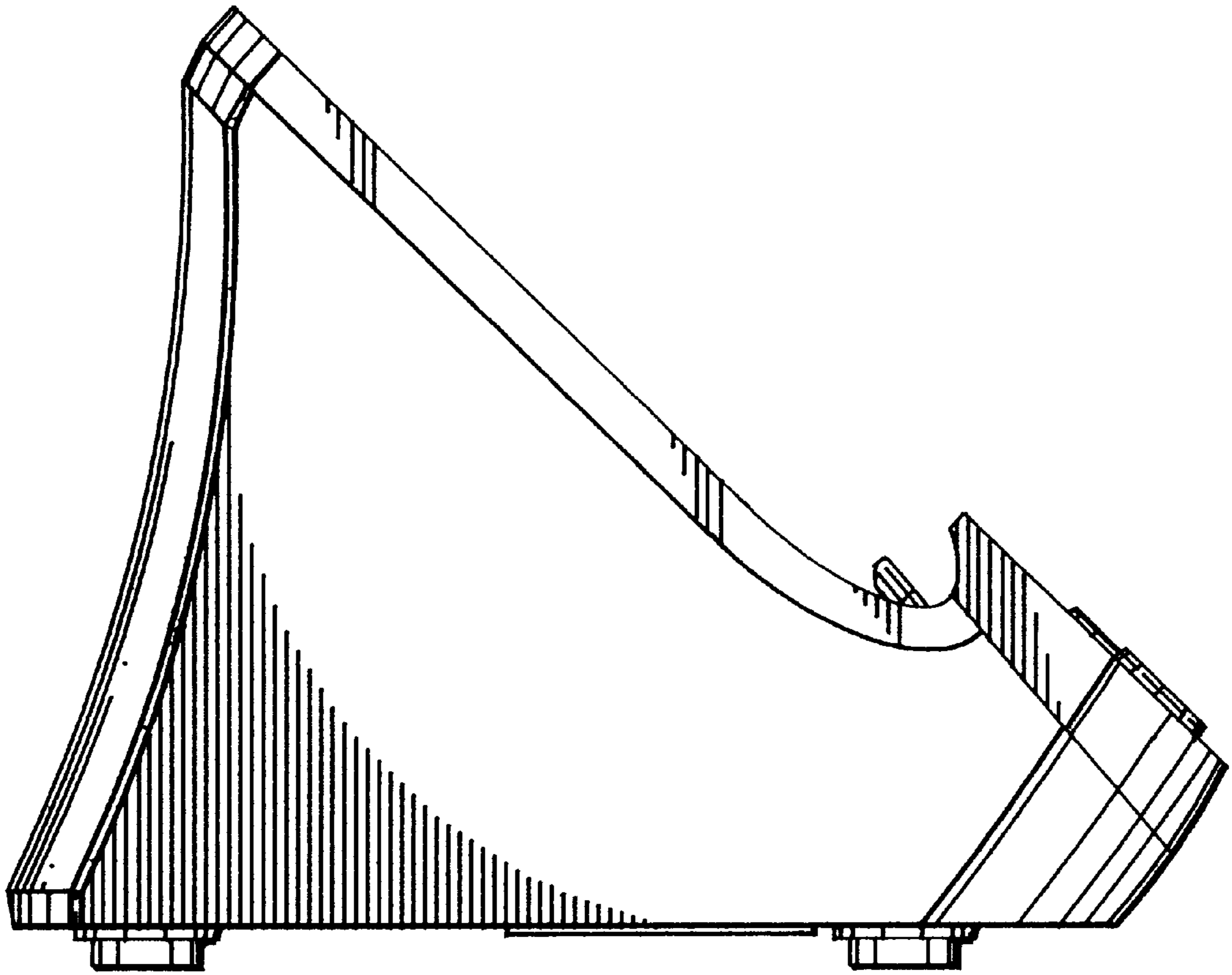


FIG. - 4

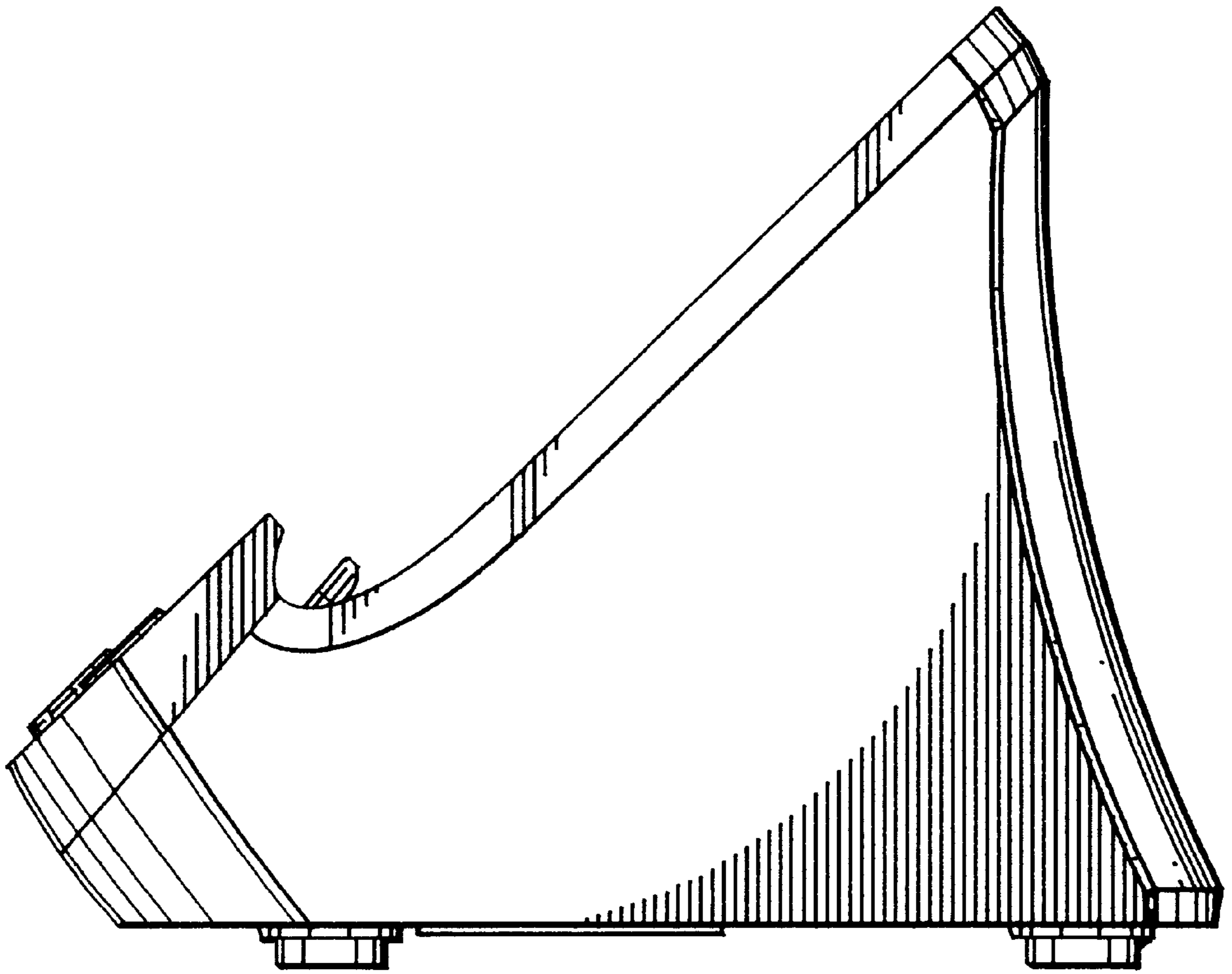


FIG. - 5

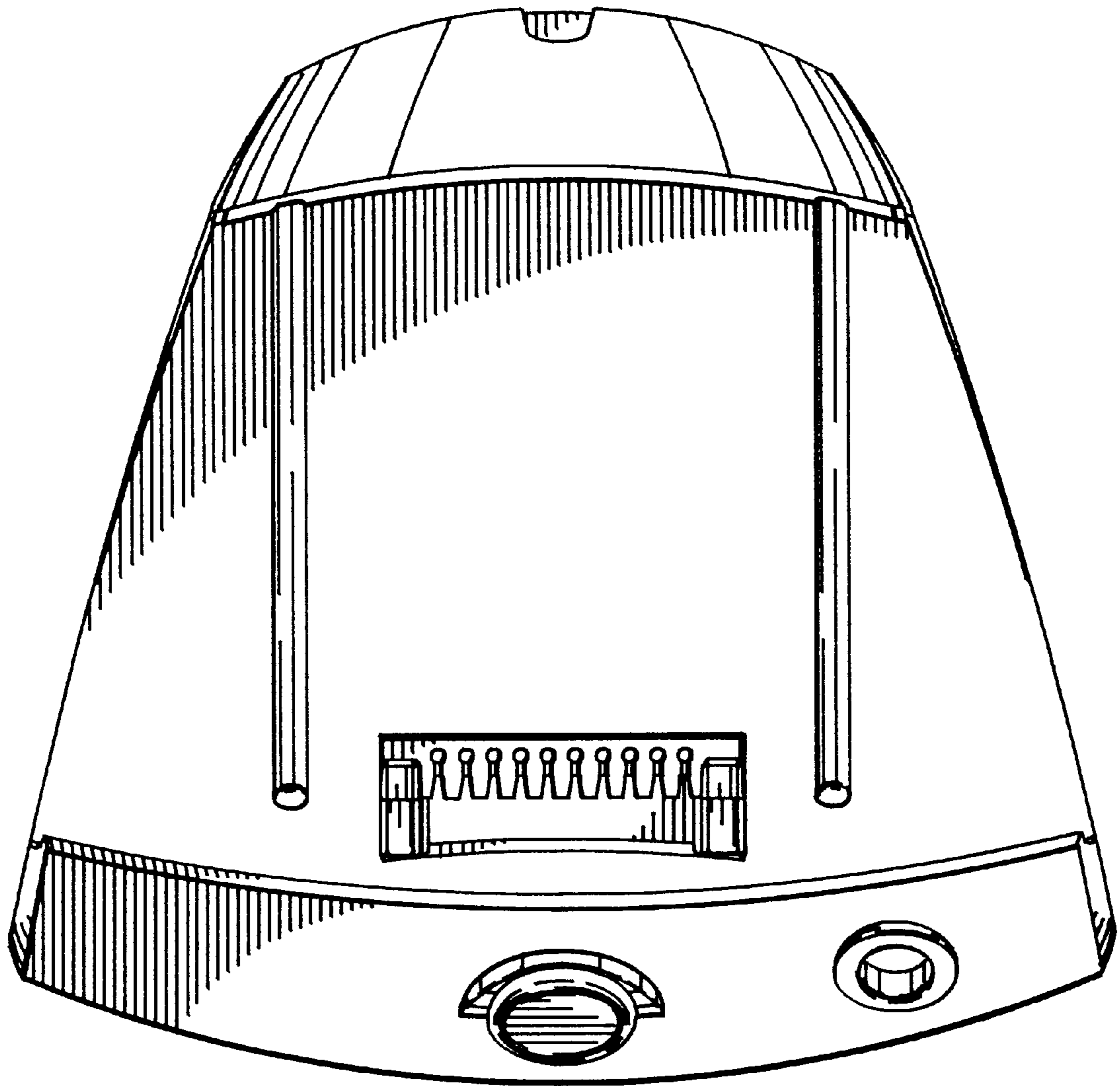


FIG. - 6

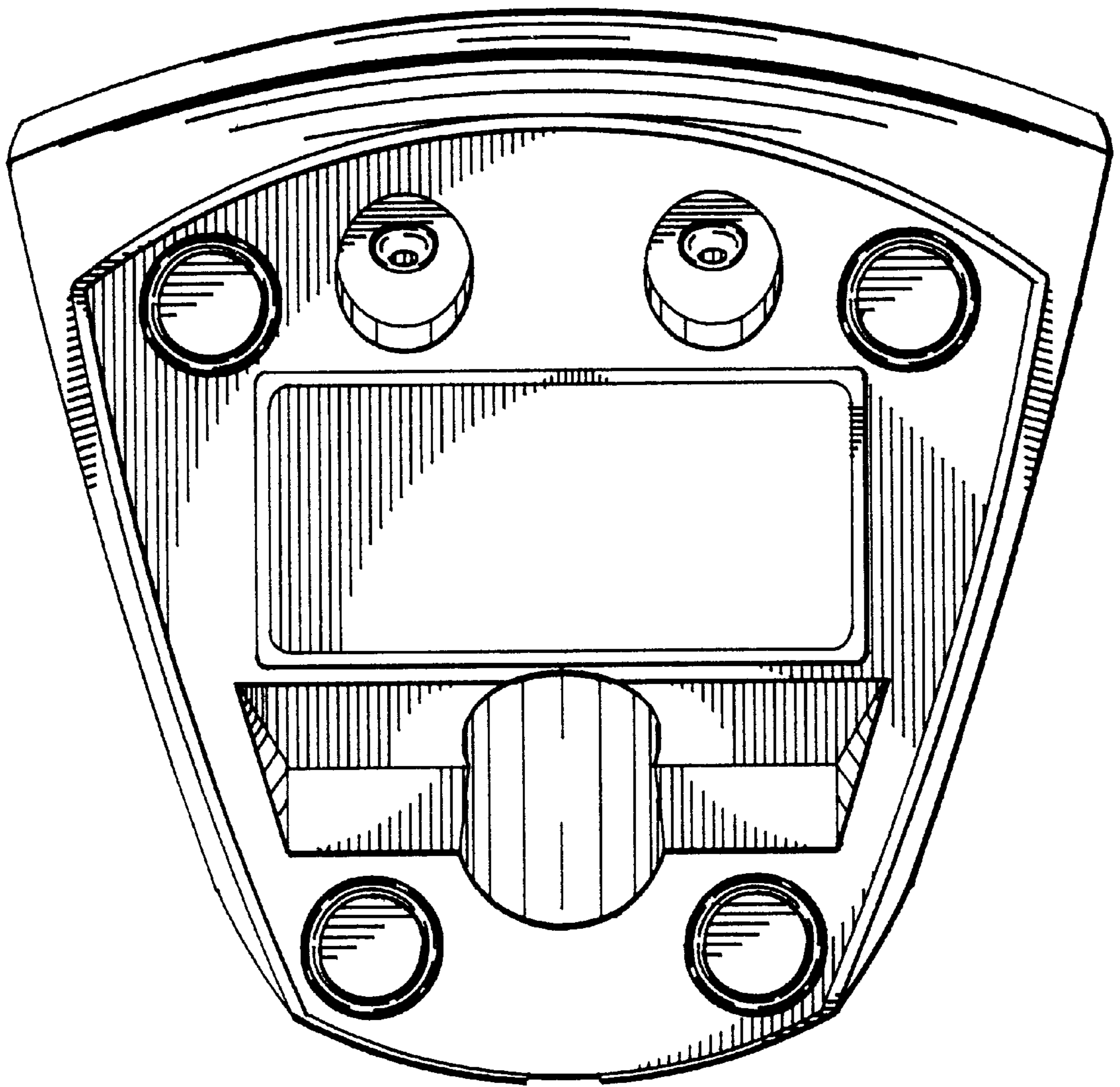


FIG. - 7