



US00D412158S

United States Patent [19]

Usui et al.

[11] Patent Number: **Des. 412,158**

[45] Date of Patent: **** Jul. 20, 1999**

[54] **COMPUTER DISPLAY**

D. 390,545 2/1998 Chang D14/113

[75] Inventors: **Shigeo Usui**, Kyoto; **Mitsunari Fujii**, Hyogo, both of Japan

OTHER PUBLICATIONS

U.S. Design Pat. No. 388,413, issued Dec. 30, 1997, U.S. Patent and Trademark *Office Official Gazette*, p. 4275.

[73] Assignee: **Matsushita Electric Industrial Co., Ltd.**, Japan

Primary Examiner—Freda Nunn
Attorney, Agent, or Firm—Saidman DesignLaw Group

[**] Term: **14 Years**

[21] Appl. No.: **29/091,729**

[57] CLAIM

[22] Filed: **Aug. 5, 1998**

The ornamental design for a computer display, as shown and described.

[30] Foreign Application Priority Data

DESCRIPTION

Feb. 13, 1998 [JP] Japan 10-3797

FIG. 1 is a perspective view of the top, front and right side of a computer display showing our new design;
FIG. 2 is a front view thereof;
FIG. 3 is a top plan view thereof;
FIG. 4 is a right side view thereof;
FIG. 5 is a left side view thereof;
FIG. 6 is a bottom view thereof; and,
FIG. 7 is a rear view thereof.

[51] **LOC (6) Cl.** **14-02**

[52] **U.S. Cl.** **D14/113; D14/126**

[58] **Field of Search** D14/100, 101, D14/106, 113, 124-129; 248/917-924; 345/104, 133, 156, 168, 87, 173; 348/180, 184, 325, 739; 341/12; 349/1, 2, 11, 62

[56] References Cited

U.S. PATENT DOCUMENTS

D. 377,484 1/1997 Onuma et al. D14/113

1 Claim, 4 Drawing Sheets

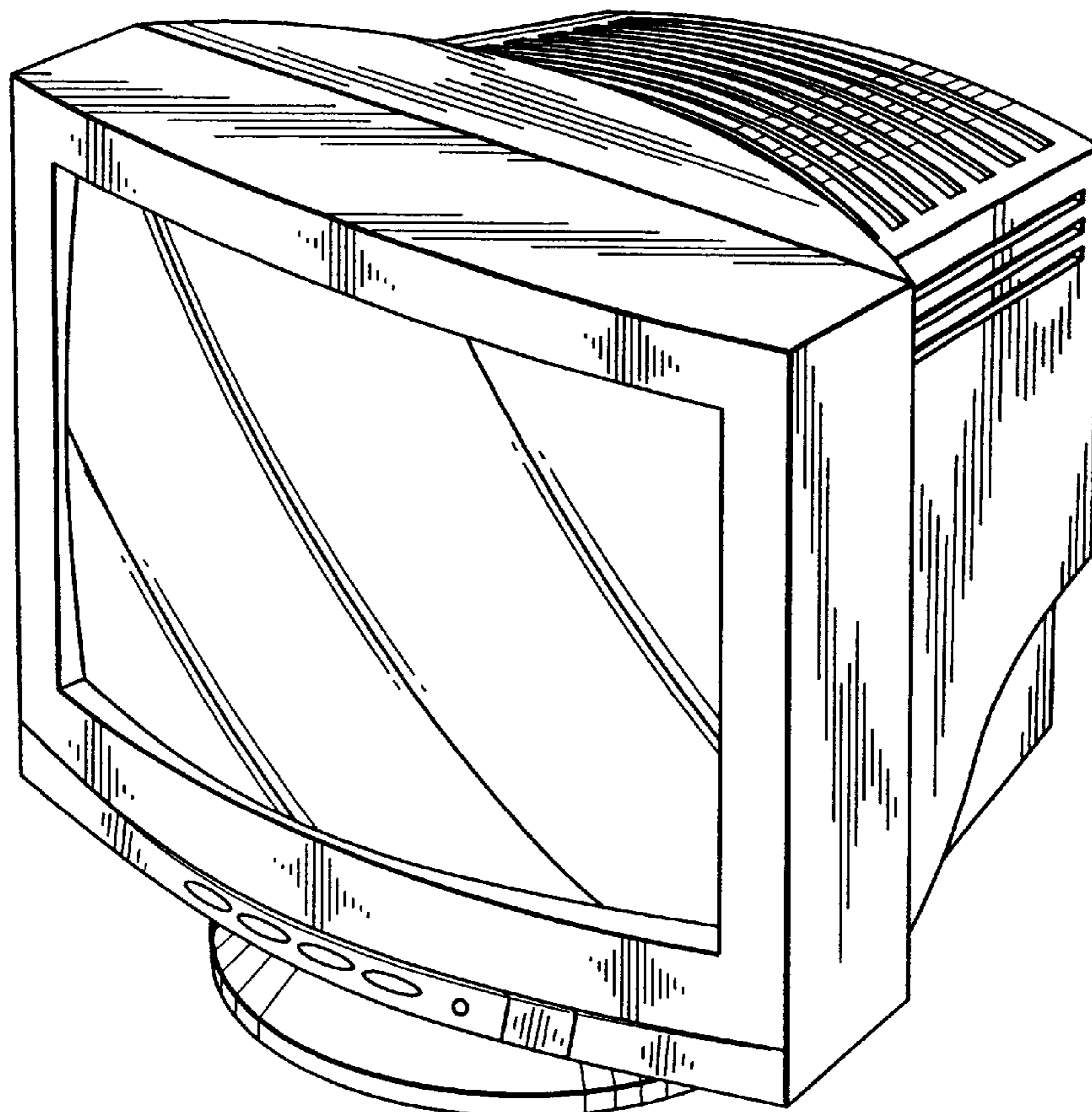


FIG. 1

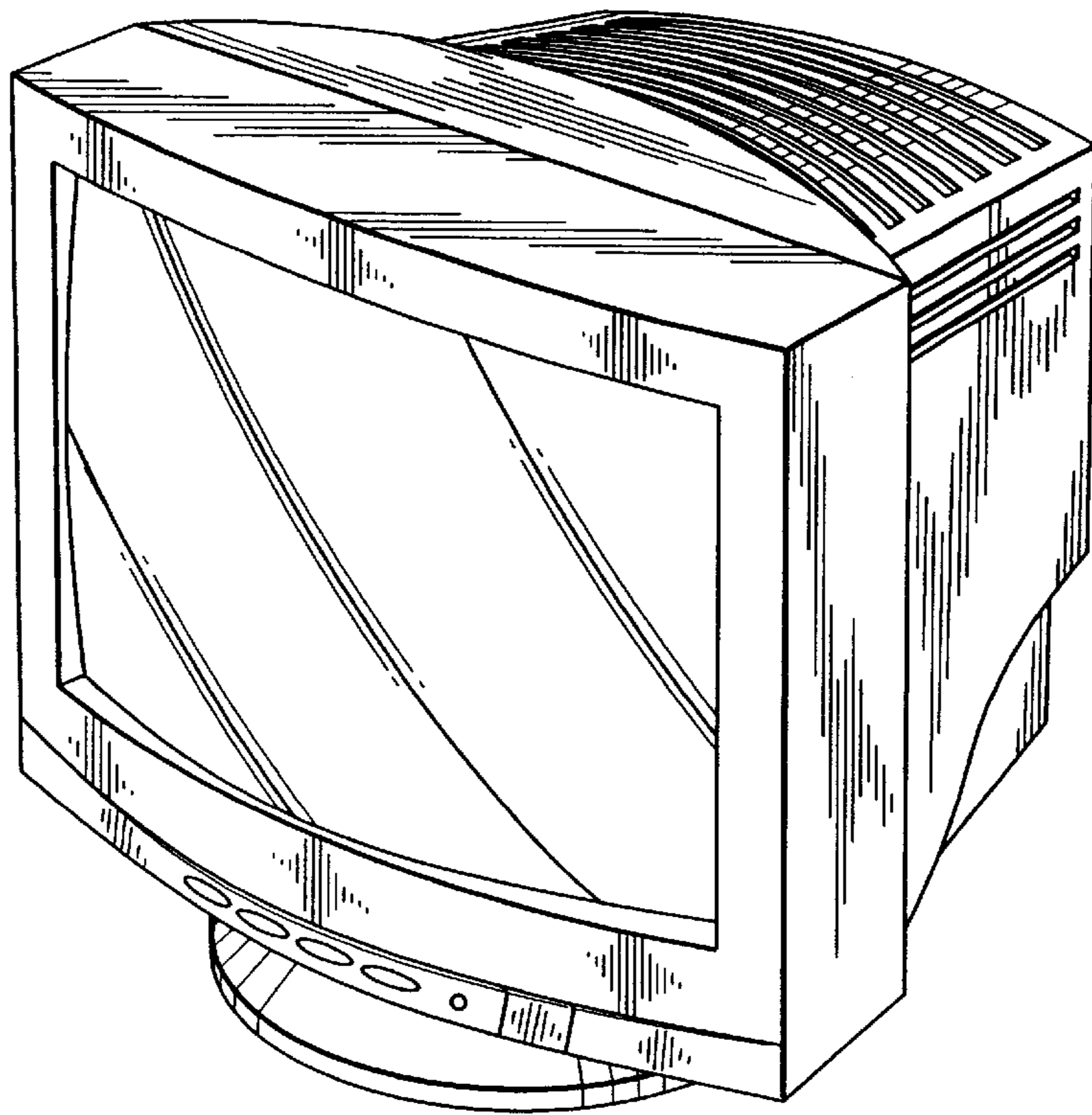


FIG. 2

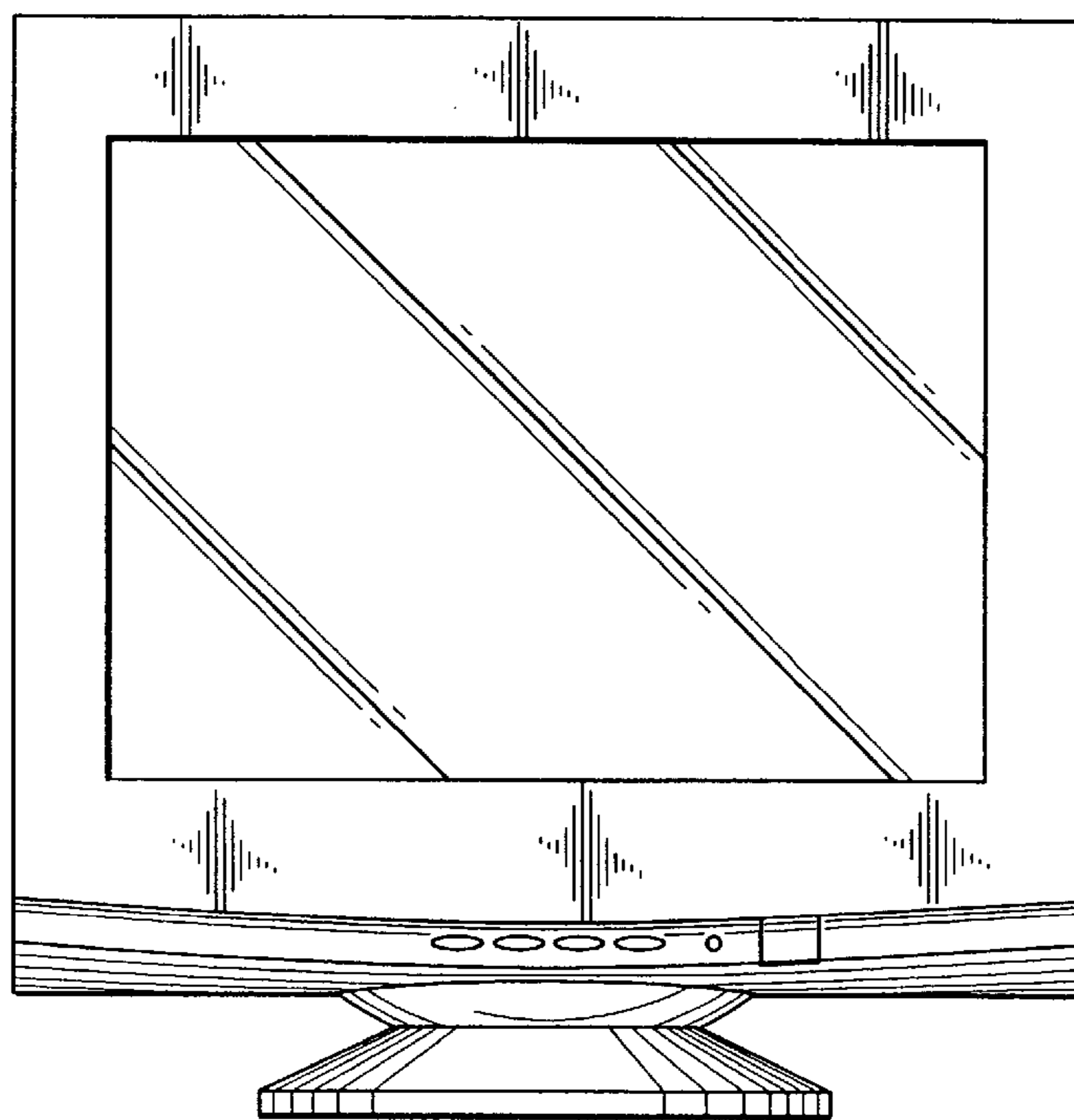


FIG. 3

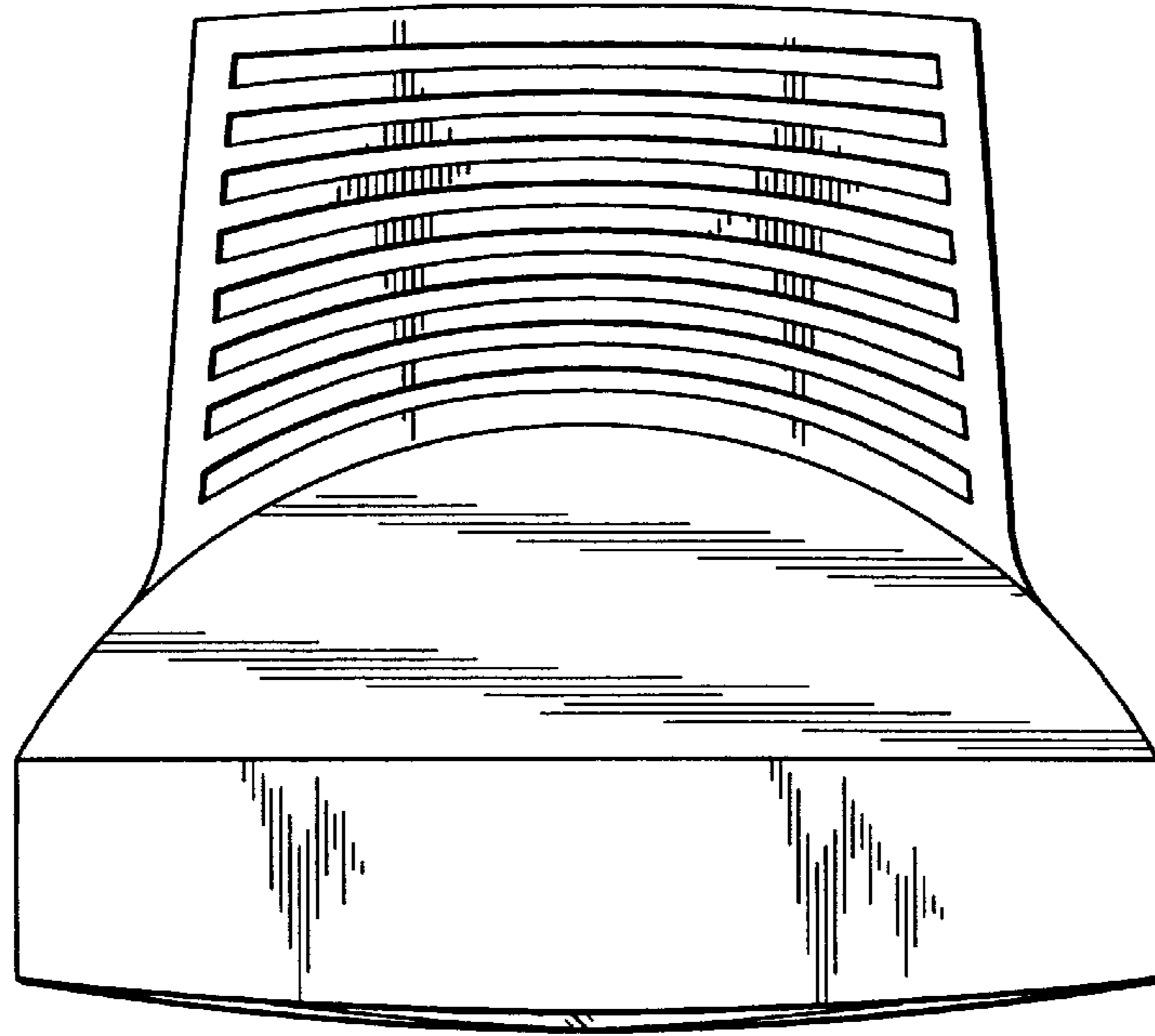


FIG. 4

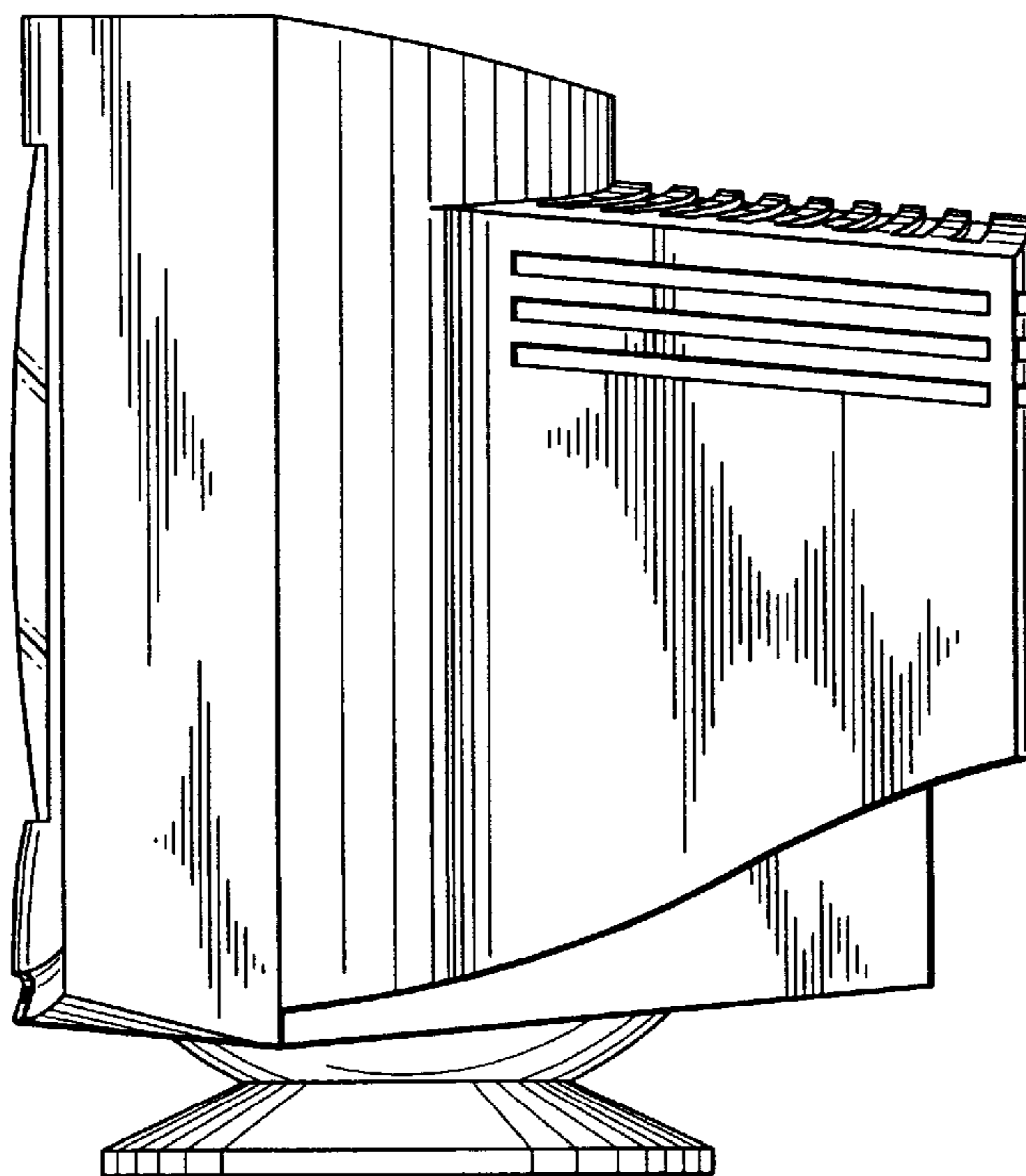


FIG. 5

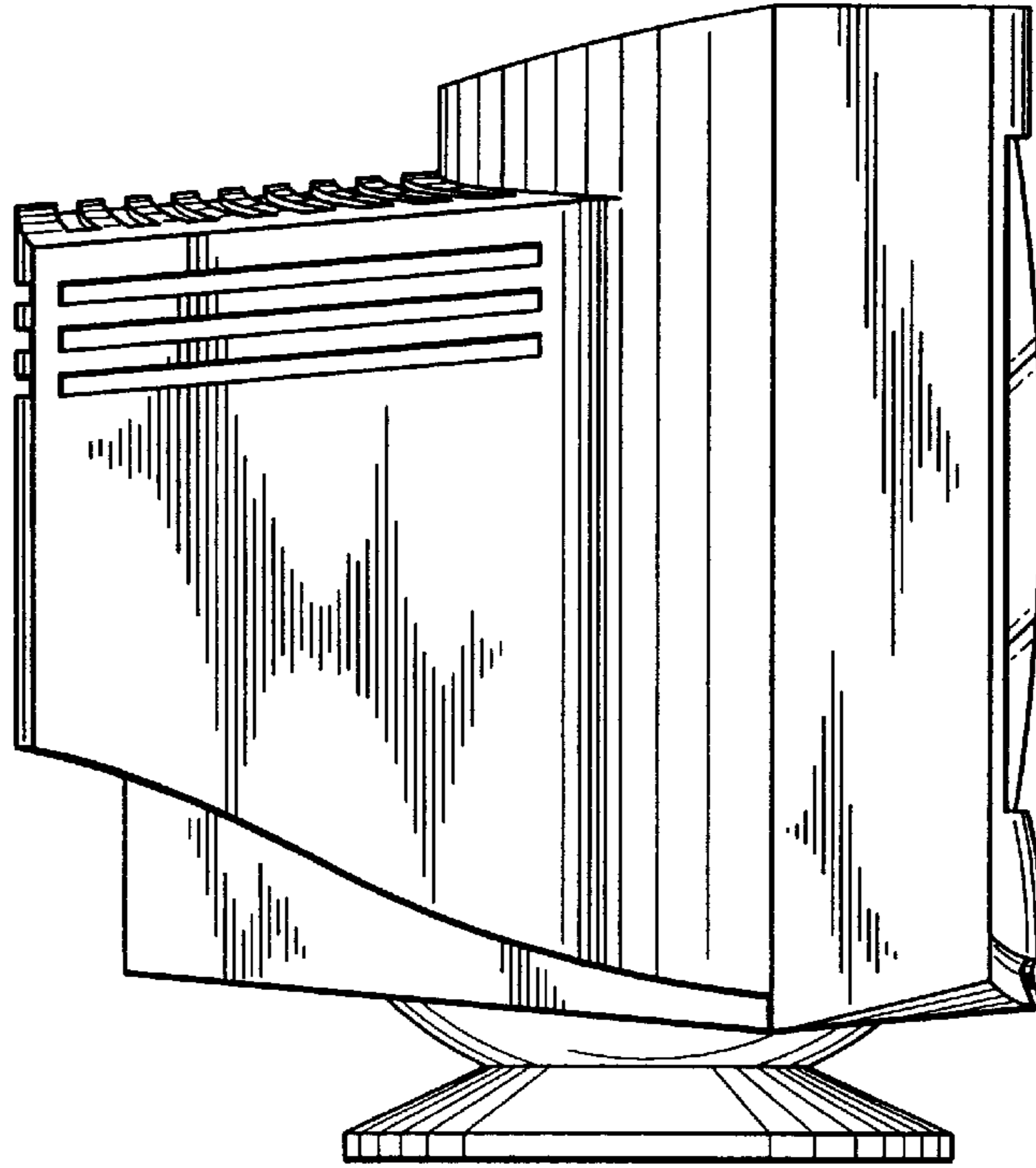


FIG. 6

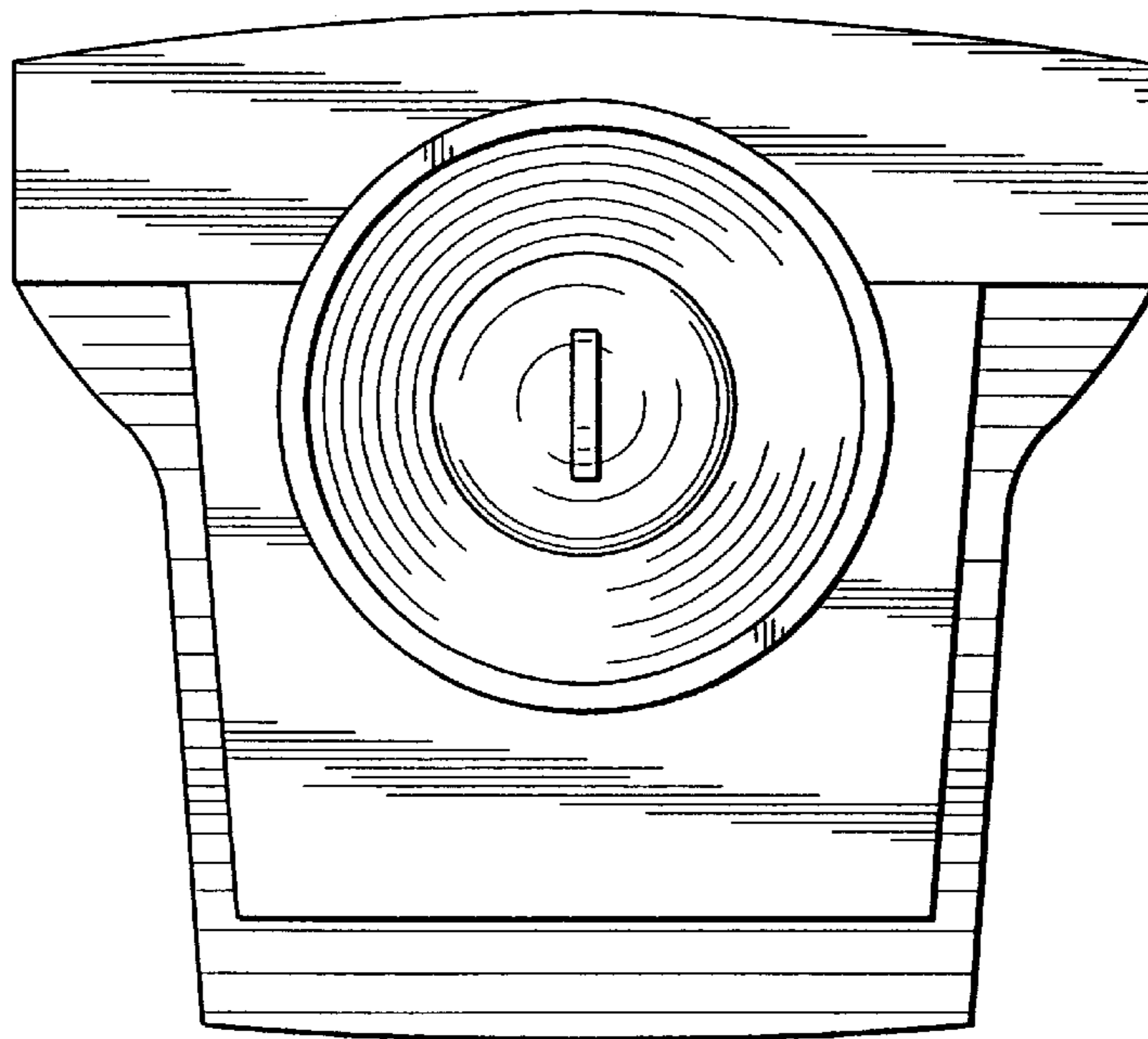


FIG. 7

