



US00D412156S

United States Patent [19]

Mizusugi et al.

[11] **Patent Number: Des. 412,156**

[45] **Date of Patent: ** Jul. 20, 1999**

[54] **ELECTRONIC COMPUTER**

D. 361,552	8/1995	Iino	D14/100
D. 377,929	2/1997	Sekino et al.	D14/100
D. 398,904	9/1998	Tamaki et al.	D14/100

[75] Inventors: **Kanji Mizusugi**, Mie-ken; **Takamitsu Morisaki**, Kyoto-fu, both of Japan

[73] Assignee: **Sharp Kabushiki Kaisha**, Osaka, Japan

Primary Examiner—Freda Nunn
Attorney, Agent, or Firm—Nixon & Vanderhye

[**] Term: **14 Years**

[57] **CLAIM**

[21] Appl. No.: **29/094,366**

The ornamental design for an electronic computer, as shown and described.

[22] Filed: **Sep. 30, 1998**

DESCRIPTION

[30] **Foreign Application Priority Data**

Mar. 31, 1998 [JP] Japan 10-9206

FIG. 1 is a front, bottom and right side perspective view of an electronic computer according to our design;
 FIG. 2 is a top plan view thereof;
 FIG. 3 is a left side elevational view thereof;
 FIG. 4 is a right side elevational view thereof;
 FIG. 5 is a bottom plan view thereof;
 FIG. 6 is a front elevational view thereof; and,
 FIG. 7 is a rear elevational view thereof.

[51] **LOC (6) Cl.** **14-02**

[52] **U.S. Cl.** **D14/100; D19/35; D19/52**

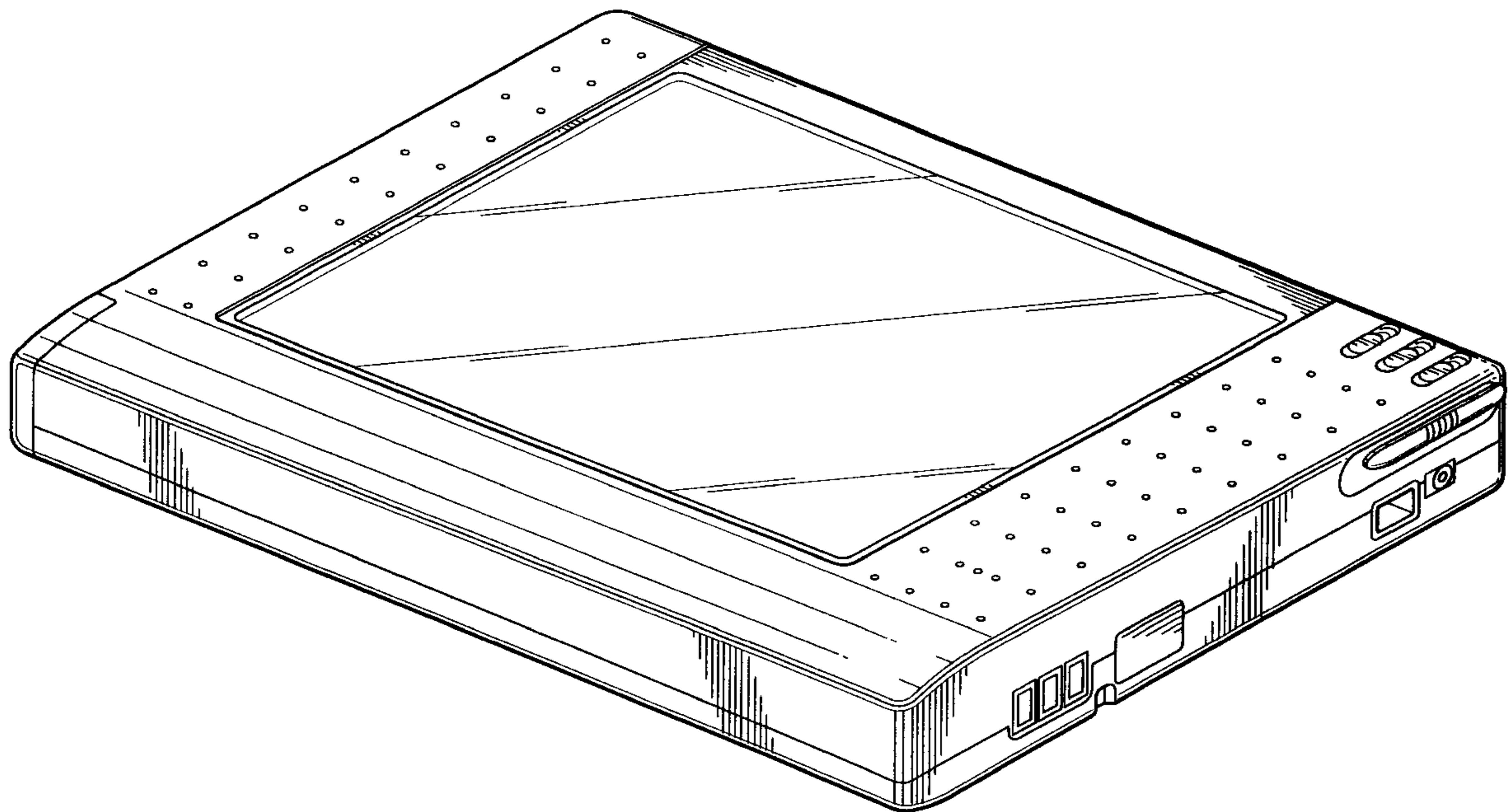
[58] **Field of Search** D14/100, 101, D14/106, 113, 115; D19/35, 52, 59, 60, 26; 345/104, 156, 173, 168; 364/708.1; 434/307-309; 349/12

[56] **References Cited**

U.S. PATENT DOCUMENTS

D. 340,701 10/1993 Takeuchi D14/100

1 Claim, 5 Drawing Sheets



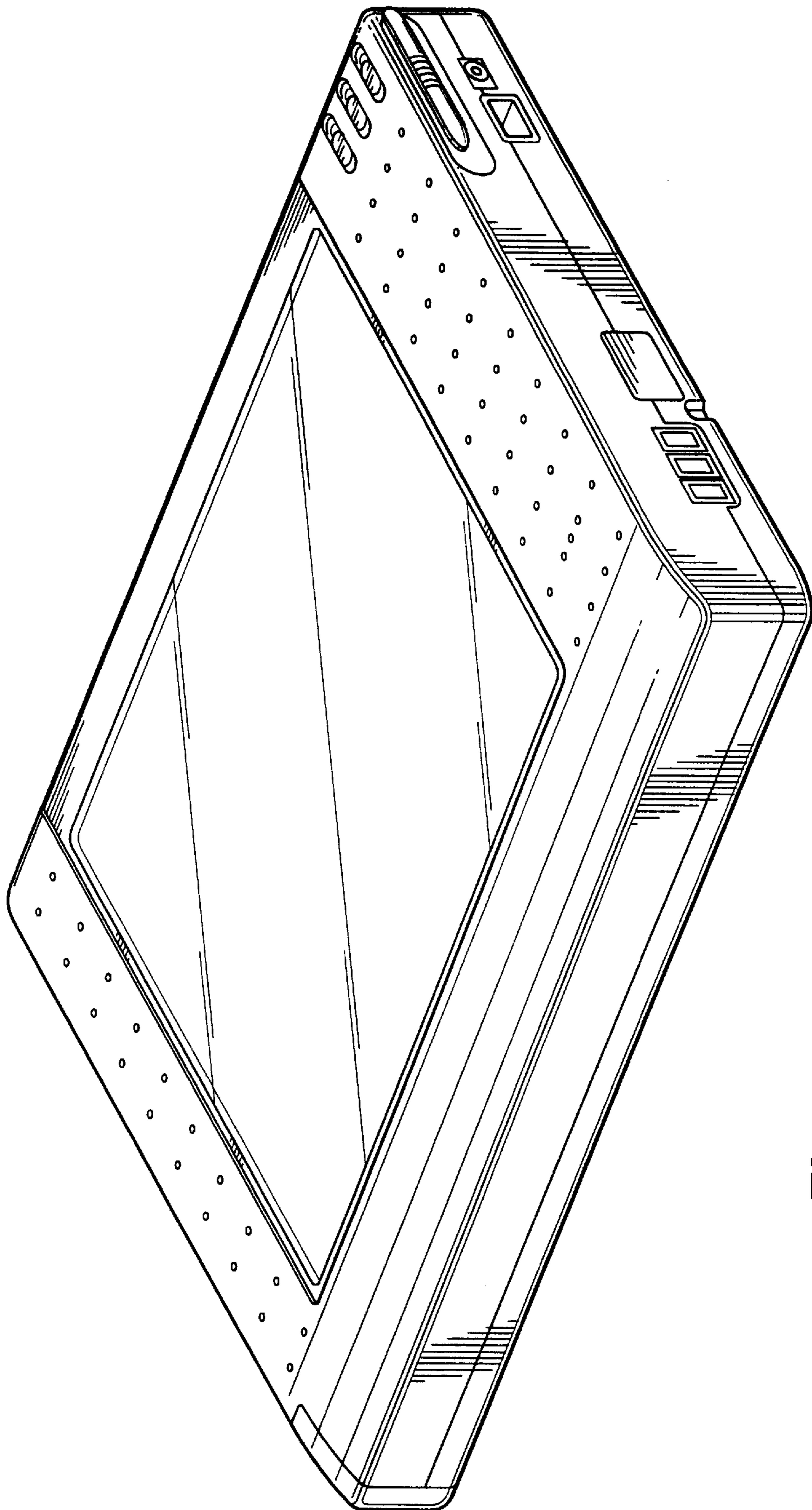


Fig. 1

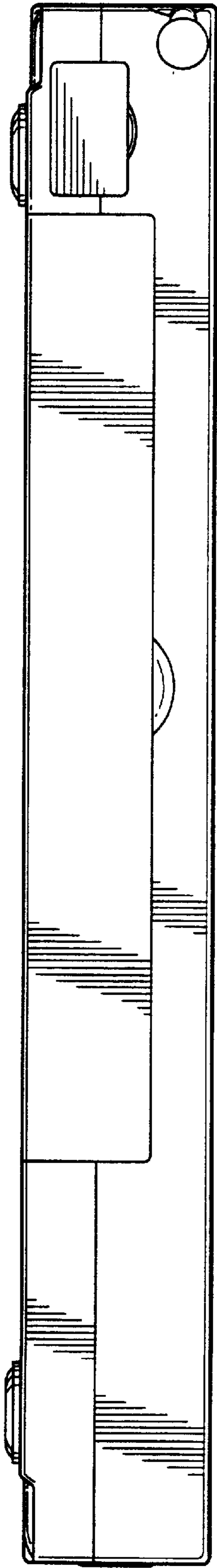


Fig. 2

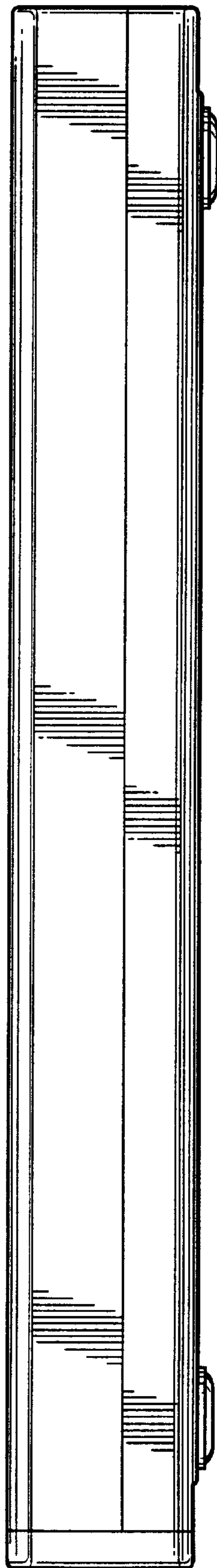


Fig. 5

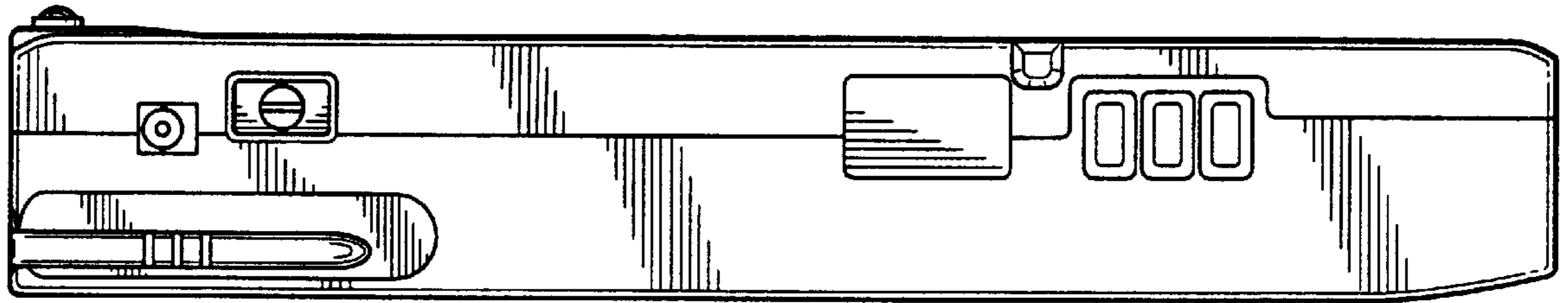


Fig. 4

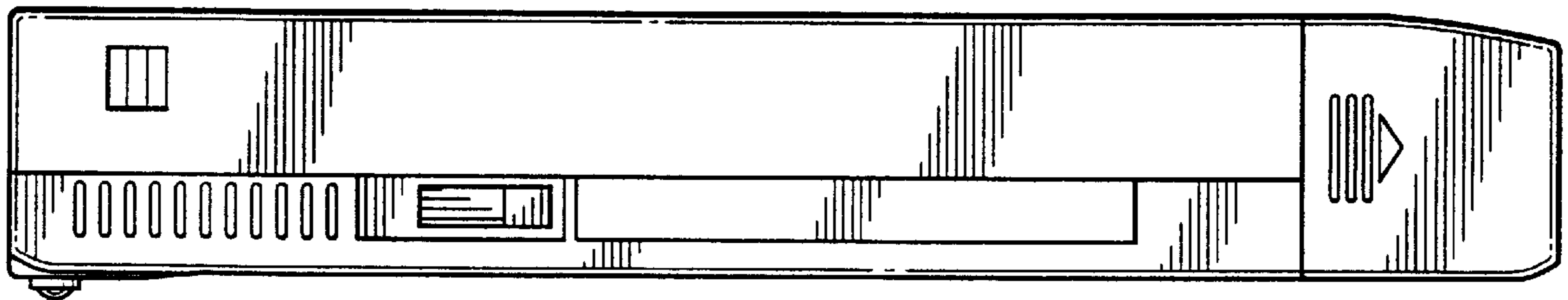


Fig. 3

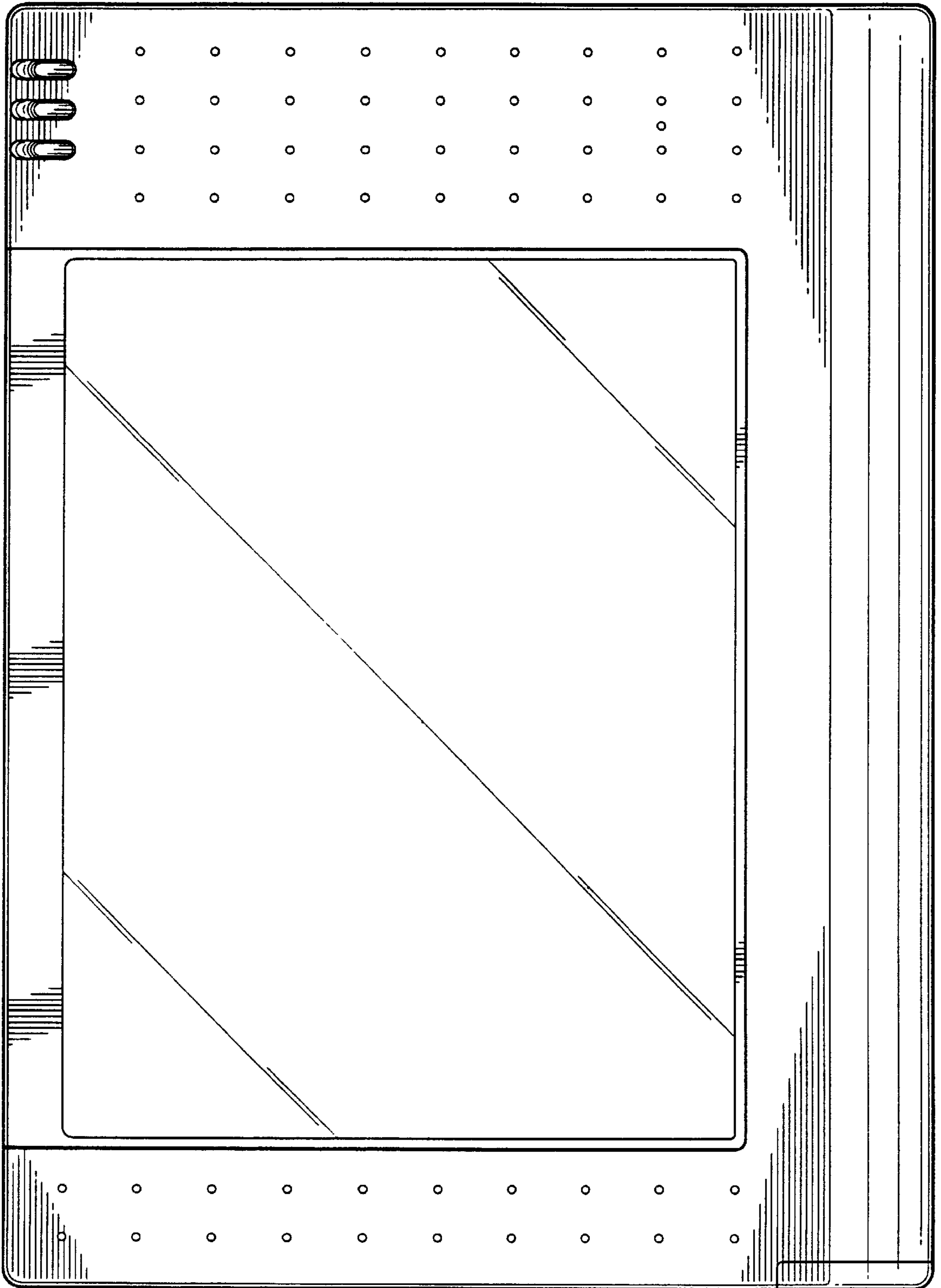


Fig. 6

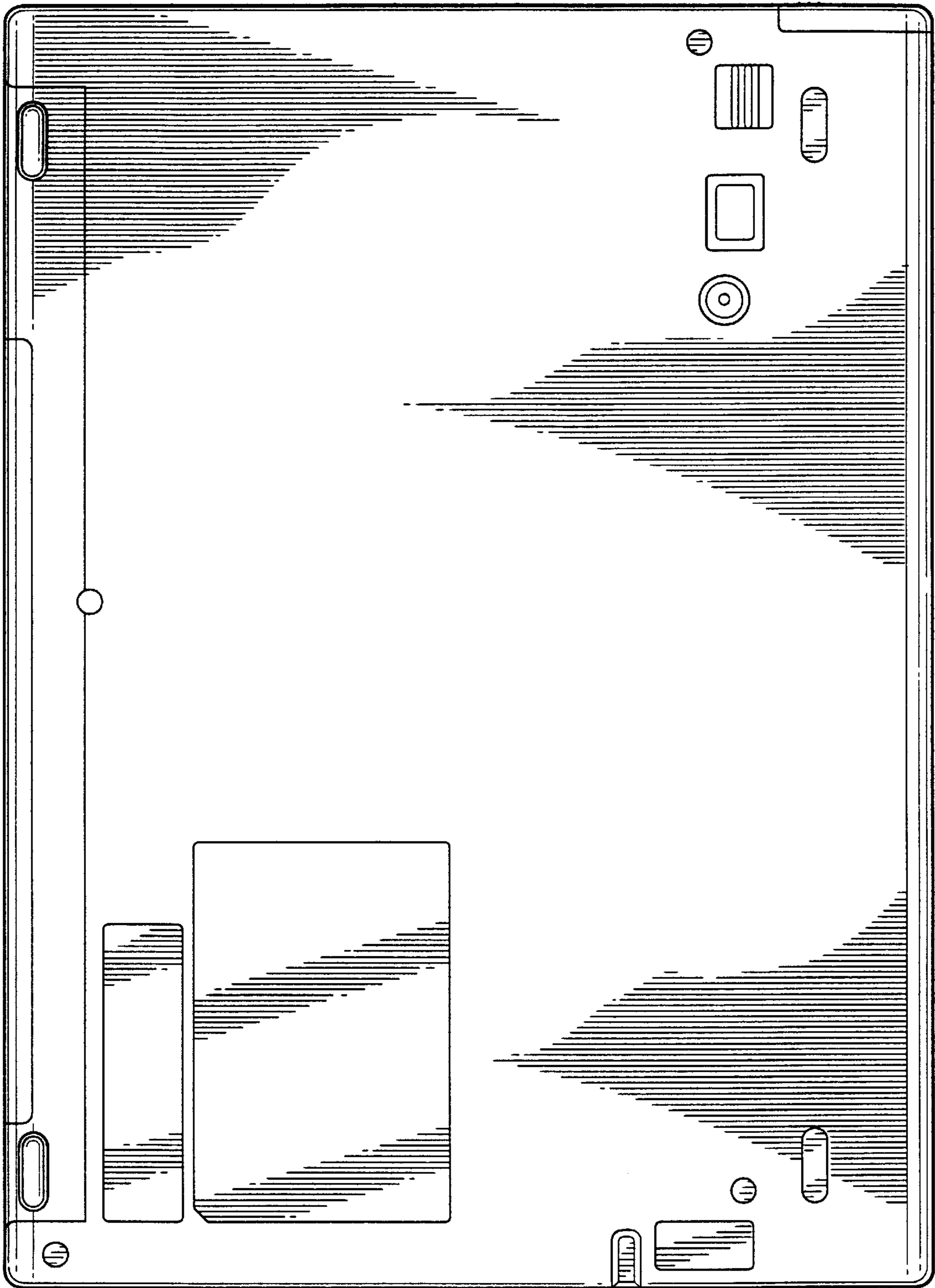


Fig. 7