



US00D412155S

United States Patent [19]

Gatchell et al.

[11] Patent Number: Des. 412,155

[45] Date of Patent: ** Jul. 20, 1999

[54] REMOTE CONTROL FOR A CEILING FAN

[75] Inventors: **Stephen M. Gatchell**, Warwick, R.I.;
Alfred J. LaSpina, Methuen, Mass.

[73] Assignee: **Honeywell, Inc.**, Minneapolis, Minn.

[**] Term: **14 Years**

[21] Appl. No.: **29/086,949**

[22] Filed: **Apr. 23, 1998**

[51] LOC (6) Cl. **13-03**

[52] U.S. Cl. **D13/164; D13/162; D13/170;**
D13/171

[58] Field of Search D13/162, 164,
D13/169, 170, 171, 174, 177; D8/350-353;
174/48, 52.1, 66; 200/42.01, 237, 293,
308, 310, 313, 314, 329, 331, 341; 338/68,
152, 163, 184, 226; 361/620, 627

[56] References Cited

U.S. PATENT DOCUMENTS

D. 241,853	10/1976	Spira et al.	D13/171	X
D. 311,678	10/1990	Graef et al.	D13/171	X
D. 329,635	9/1992	Tsai	D13/170	X
D. 351,139	10/1994	Ko	D13/162	
D. 353,798	12/1994	Bryde et al.	D13/171	X
D. 384,038	9/1997	Ko	D13/162	

Primary Examiner—Brian N. Vinson
Attorney, Agent, or Firm—Robert B. Leonard

[57] CLAIM

The ornamental design for a remote control for a ceiling fan, as shown.

DESCRIPTION

FIG. 1 is a perspective view of a remote control for a ceiling fan showing our new design.

FIG. 2 is a front elevational view of the ceiling fan remote control described in FIG. 1.

FIG. 3 is a right side elevational view of the ceiling fan remote control described in FIG. 1.

FIG. 4 is a left side elevational view of the ceiling fan remote control described in FIG. 1.

FIG. 5 is a rear elevational view of the ceiling fan remote control described in FIG. 1.

FIG. 6 is a top plan view of the ceiling fan remote control described in FIG. 1.

FIG. 7 is a bottom plan view of the ceiling fan remote control described in FIG. 1.

FIG. 8 is a perspective view of a second embodiment of the design for a remote control ceiling fan in accordance with the present invention.

FIG. 9 is a front elevational view of the second embodiment shown.

FIG. 10 is a right side elevational view of the second embodiment shown.

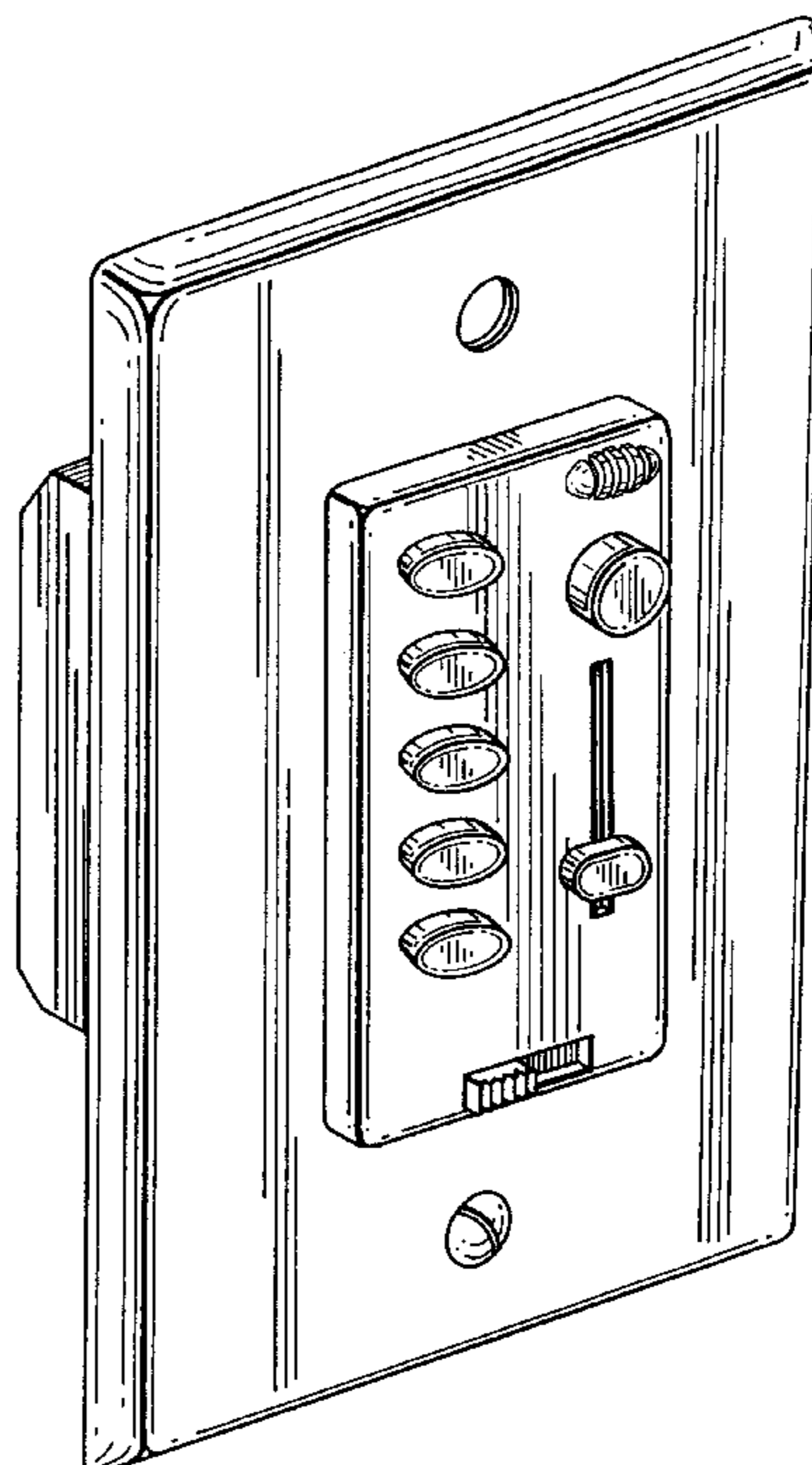
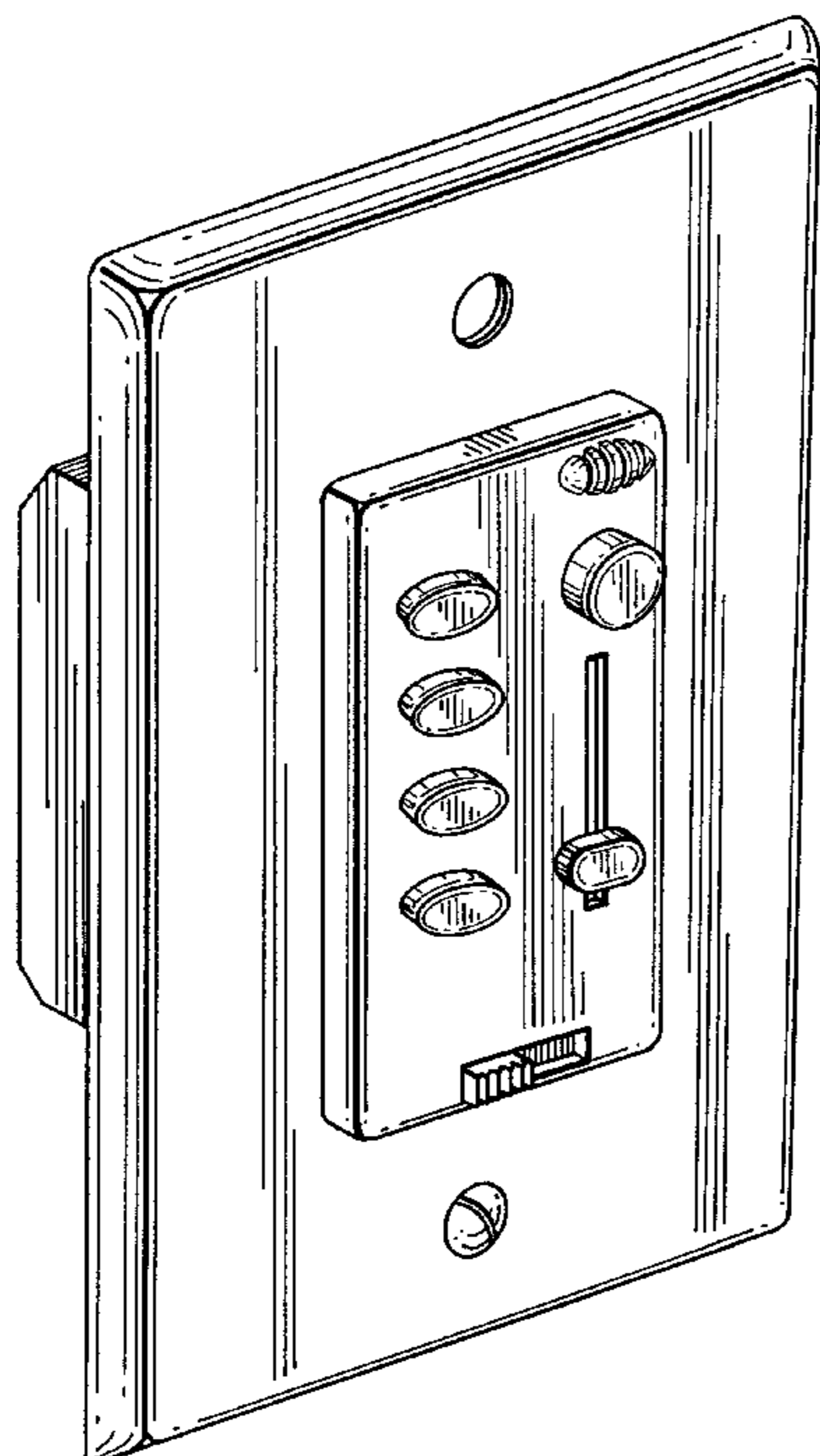
FIG. 11 is a left side elevational view of the second embodiment shown.

FIG. 12 is a rear elevational view of the second embodiment shown.

FIG. 13 is a top plan view of the second embodiment shown; and,

FIG. 14 is a bottom plan view of the second embodiment shown.

1 Claim, 8 Drawing Sheets



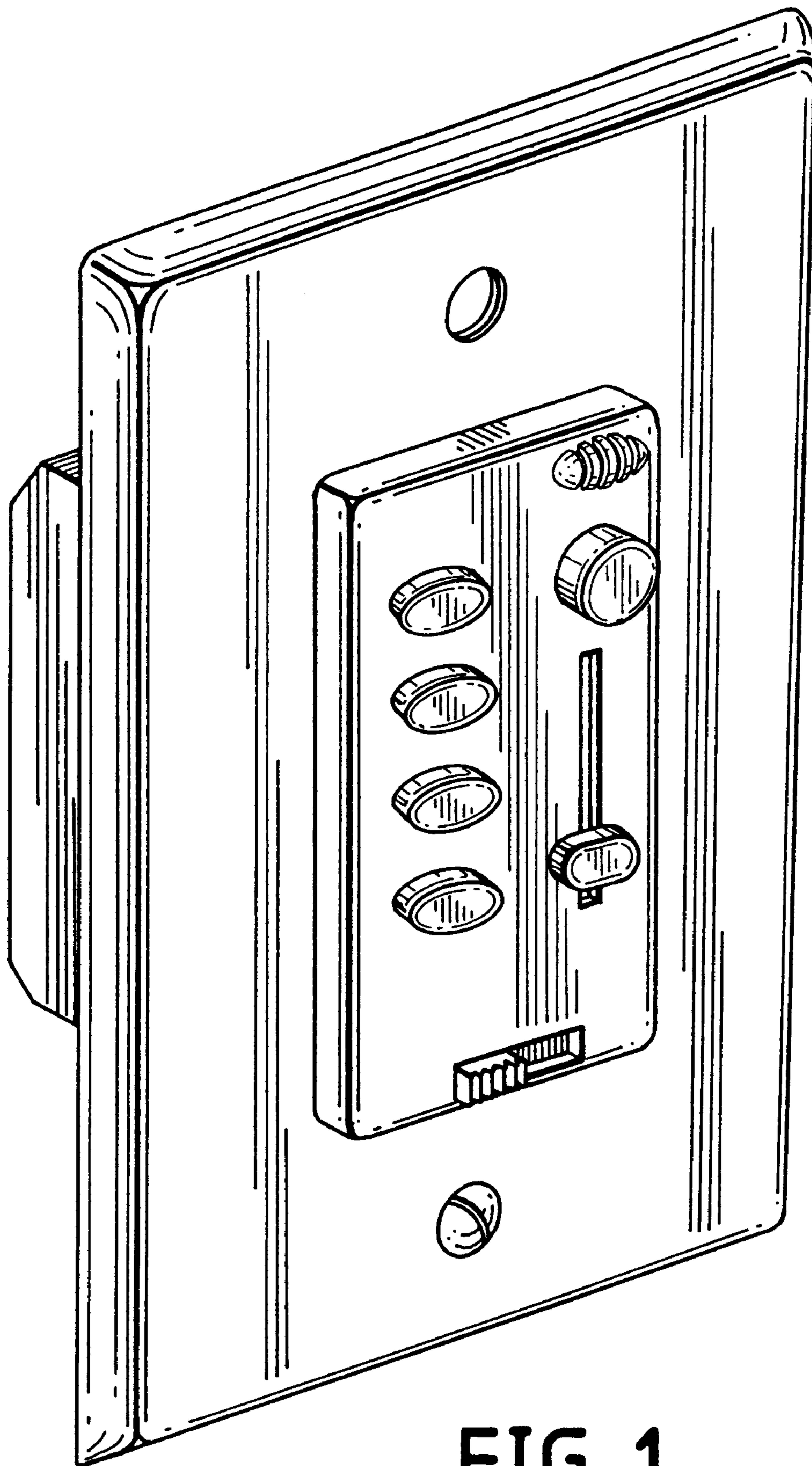


FIG. 1

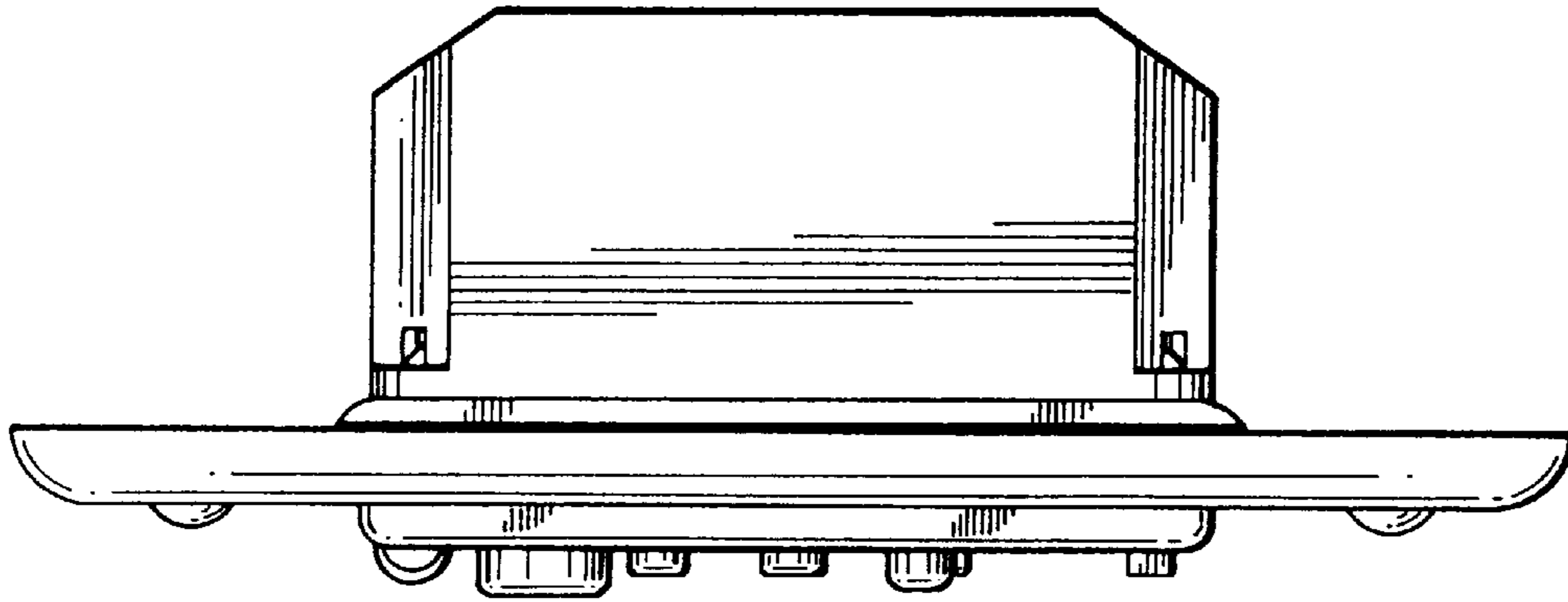


FIG. 3

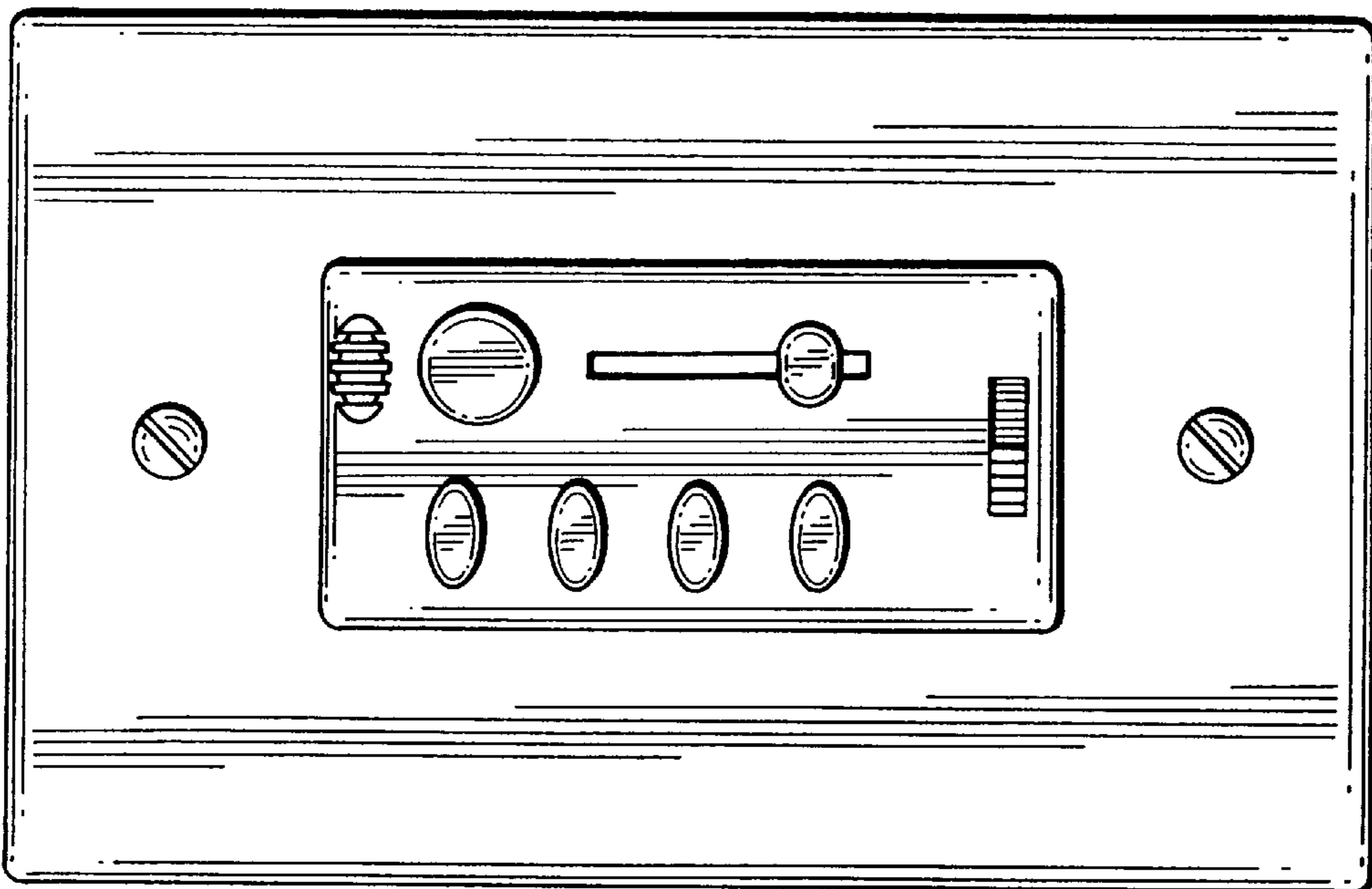


FIG. 2

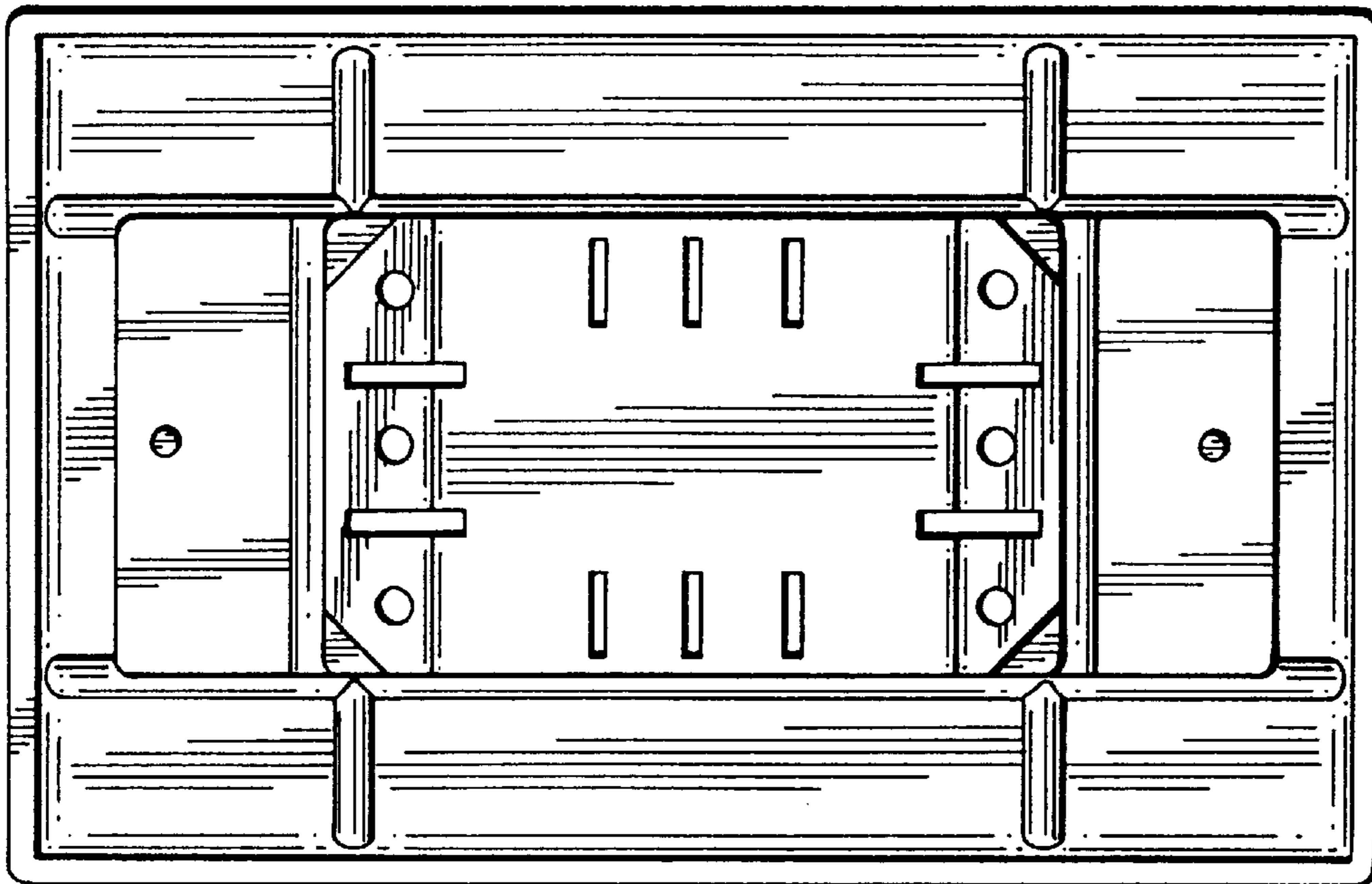


FIG. 5

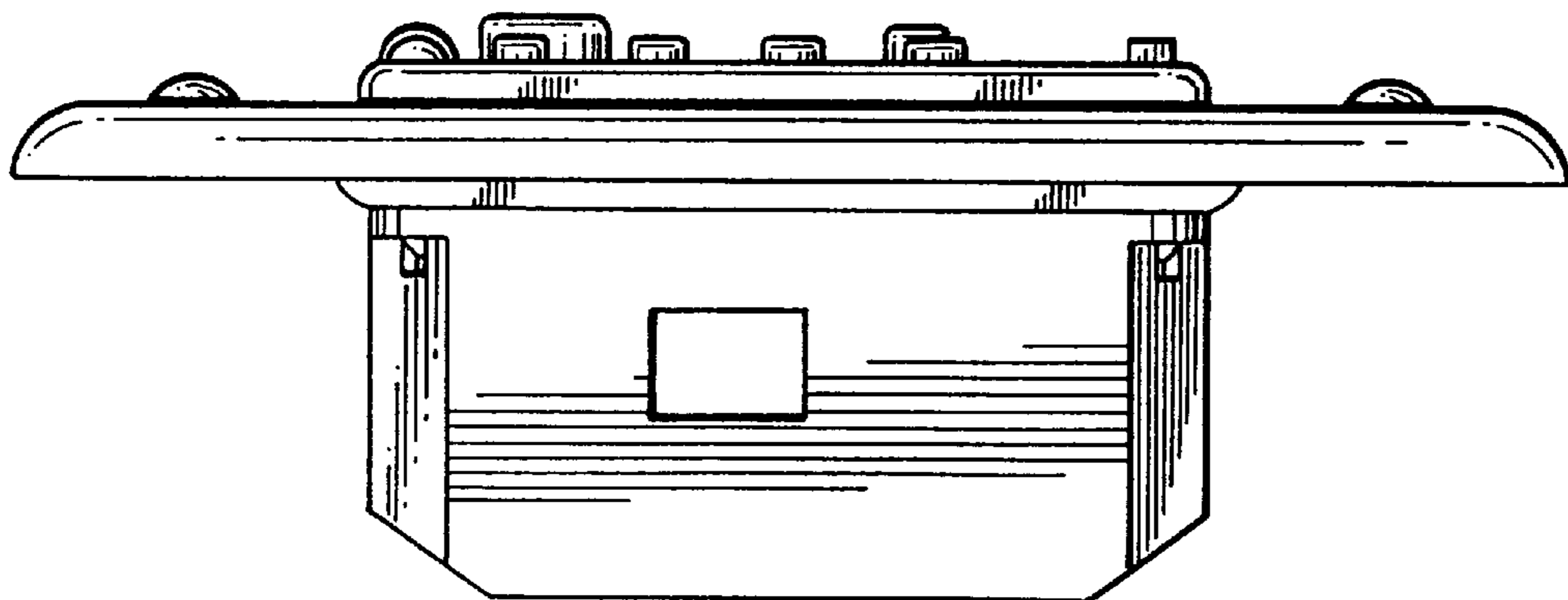


FIG. 4

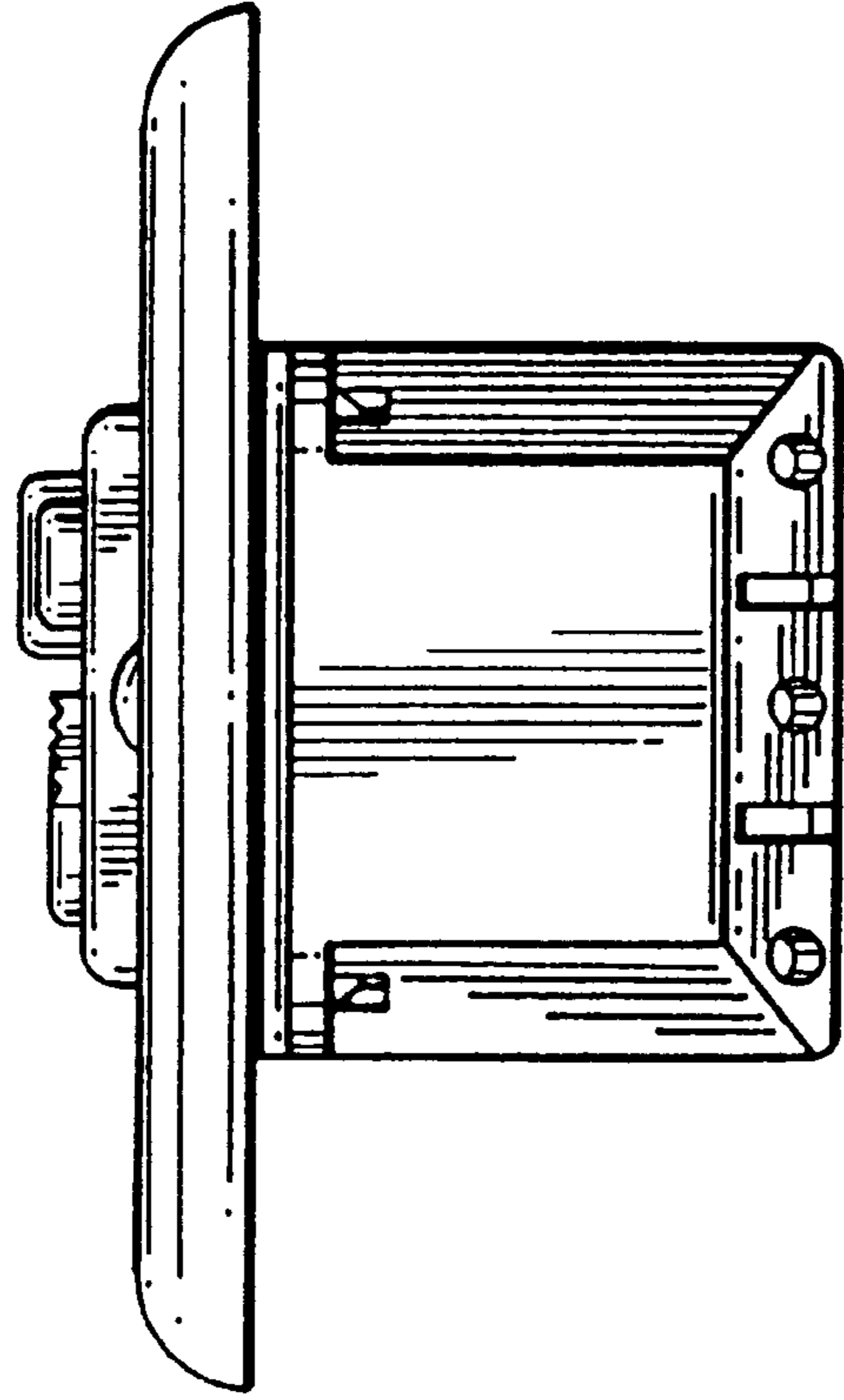


FIG. 6

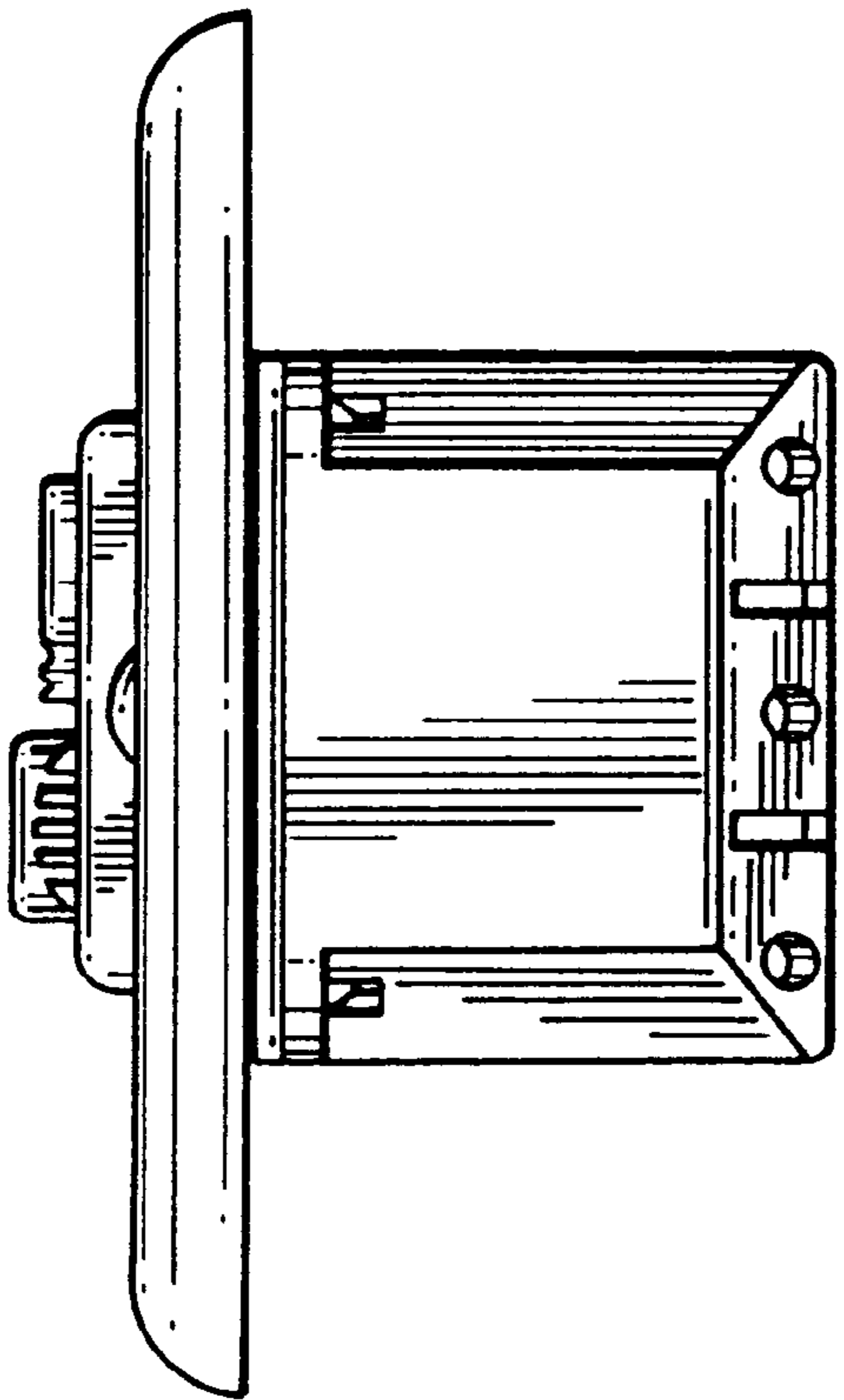


FIG. 7

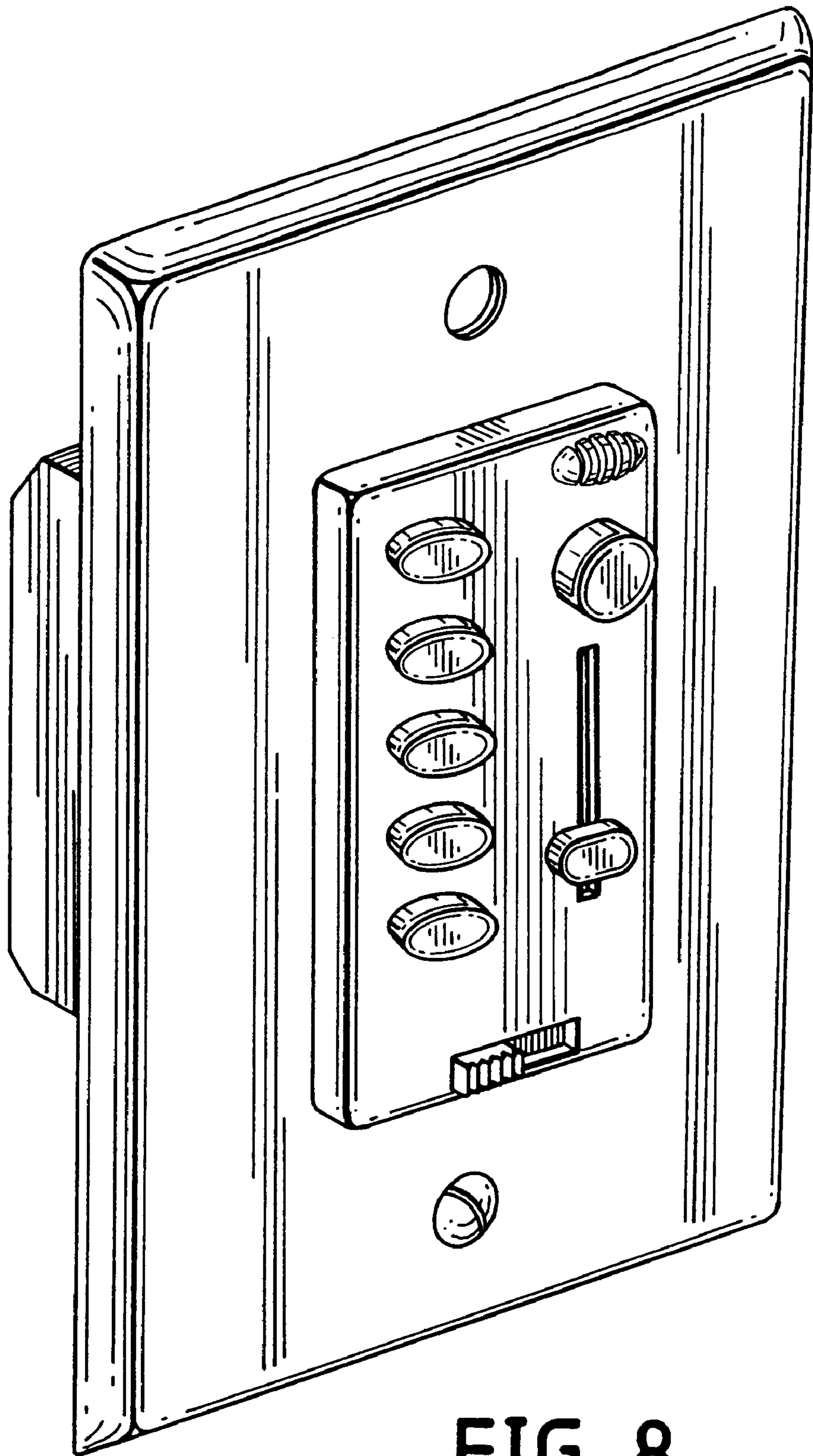


FIG. 8

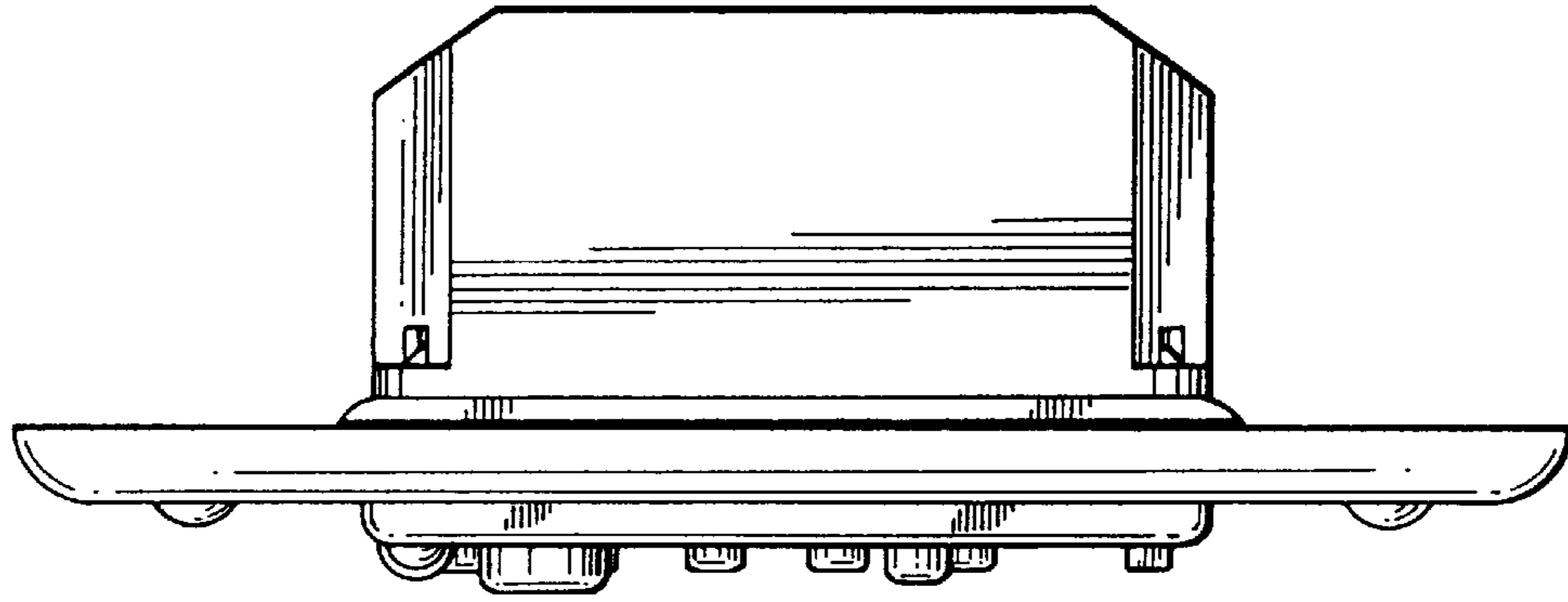


FIG. 10

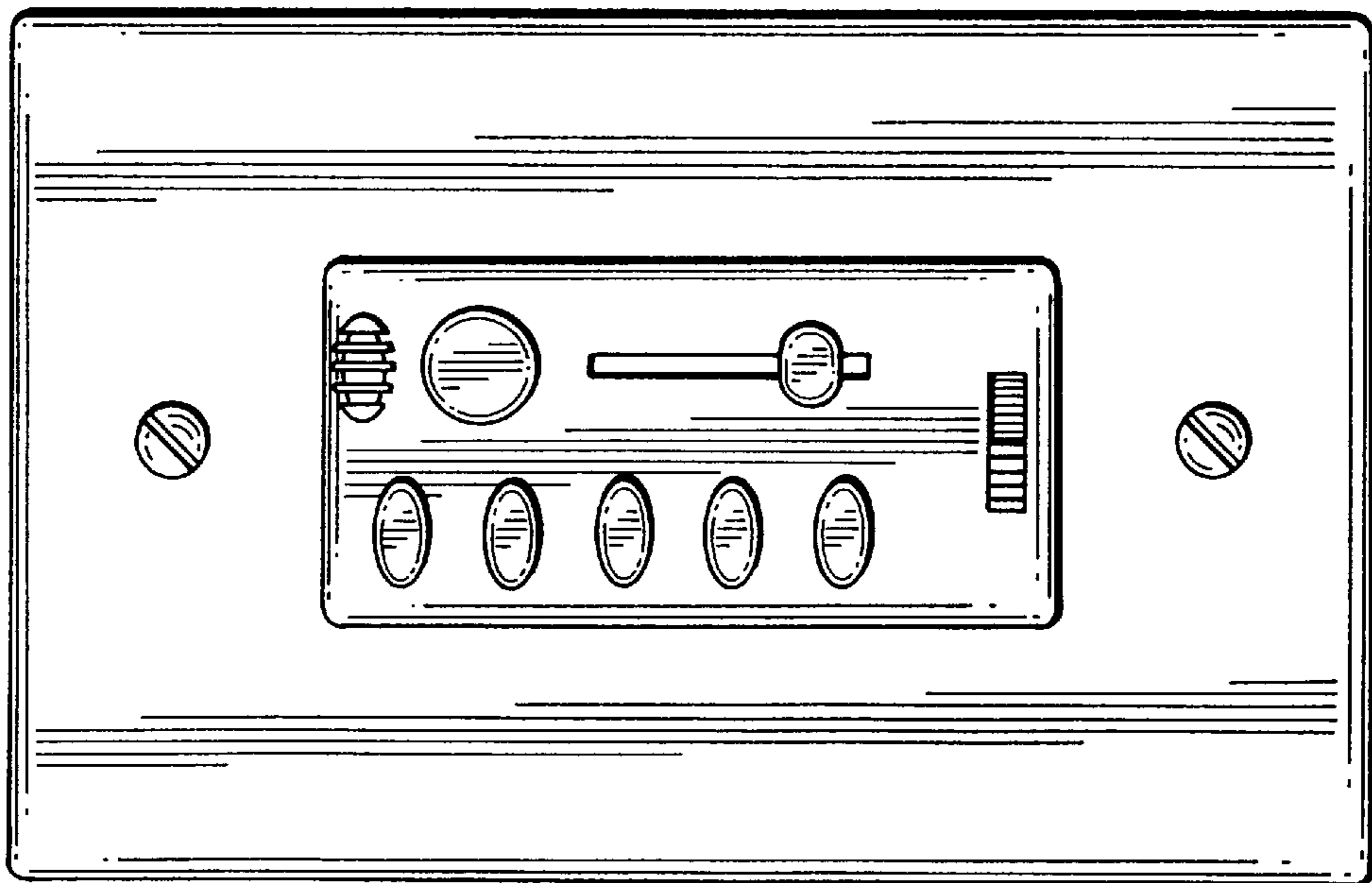


FIG. 9

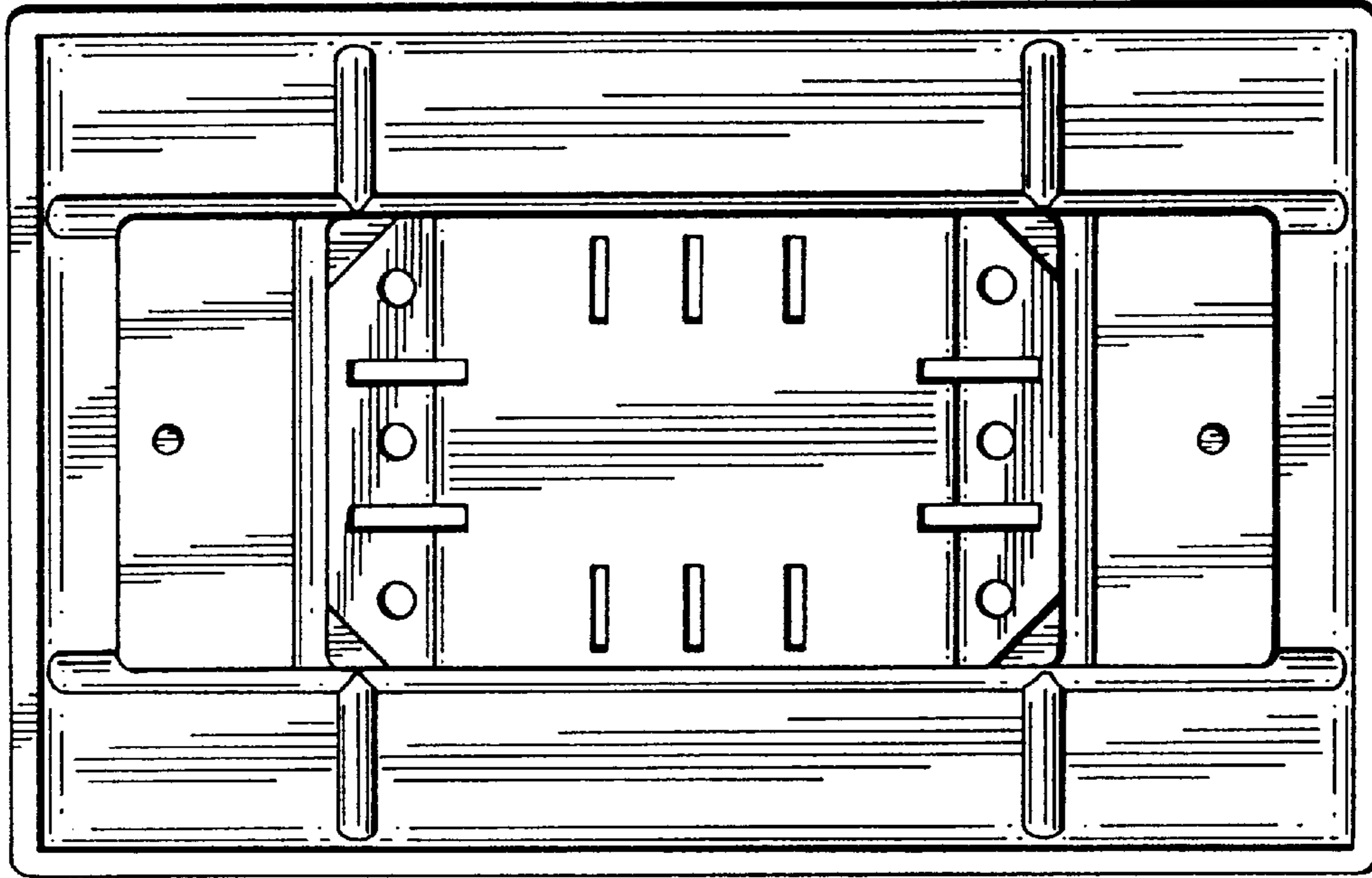


FIG. 12

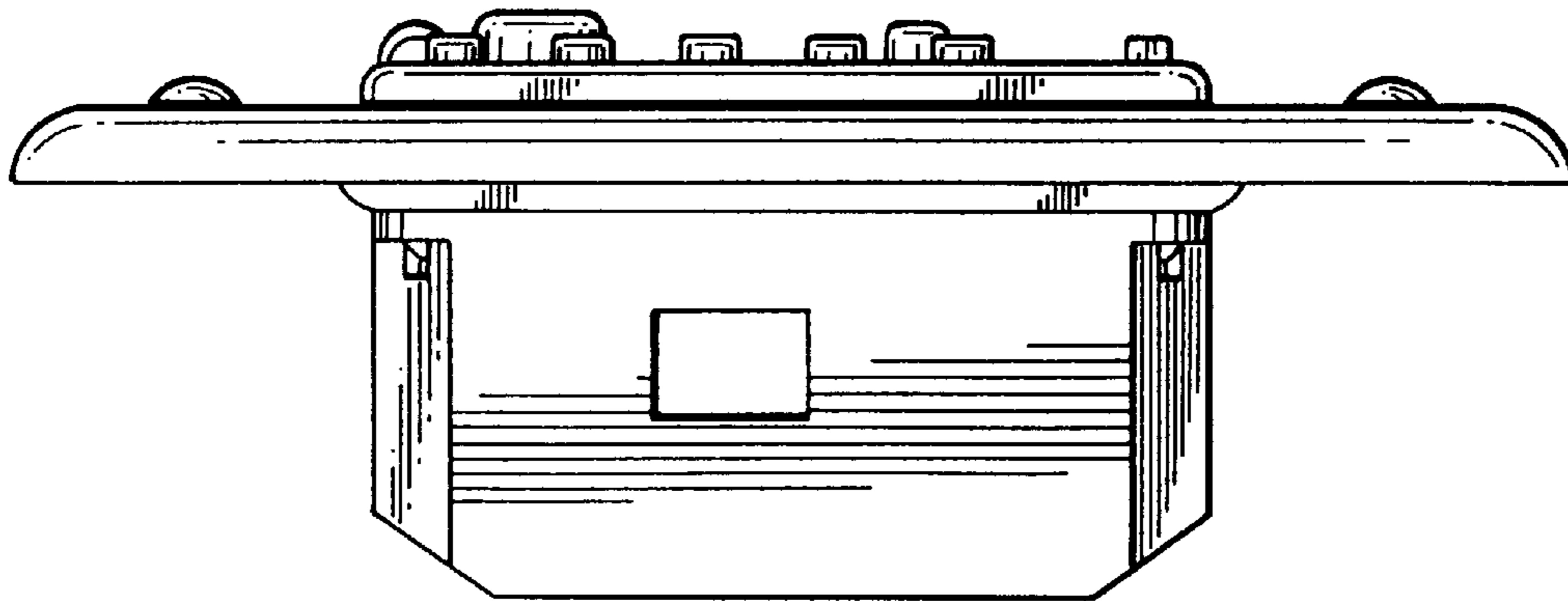


FIG. 11

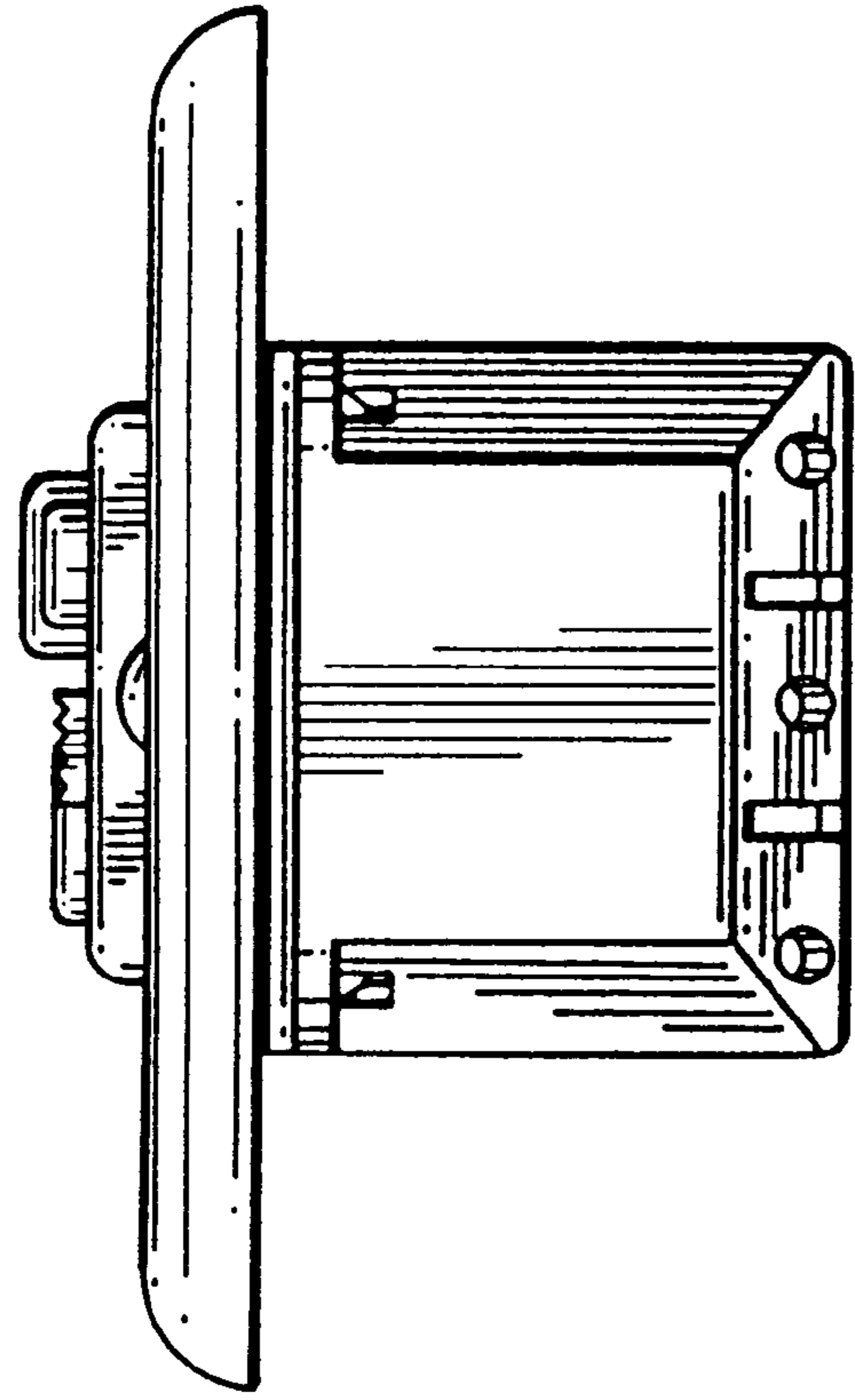


FIG. 14

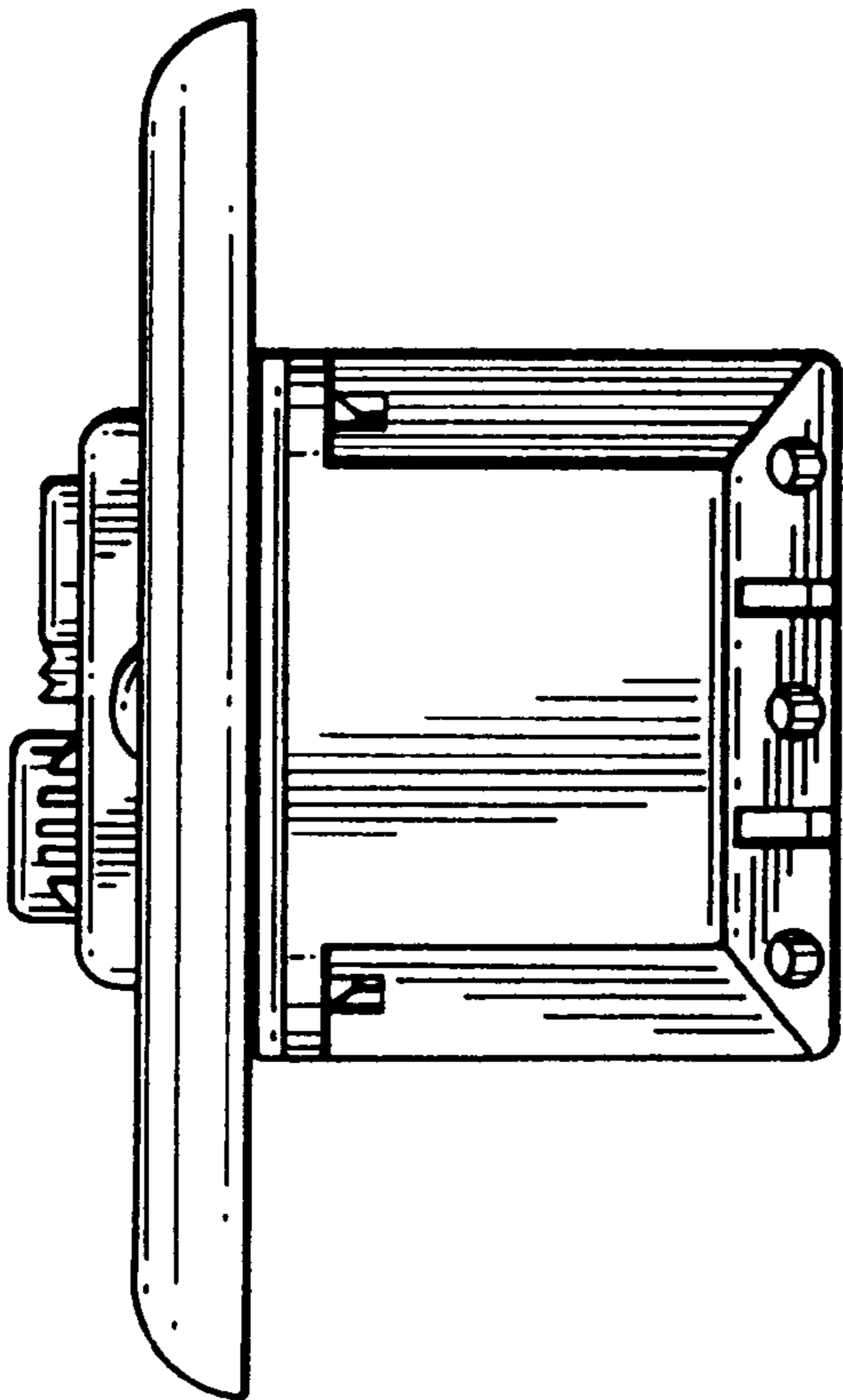


FIG. 13