



US00D412154S

United States Patent [19] Lok

[11] **Patent Number: Des. 412,154**

[45] **Date of Patent: ** Jul. 20, 1999**

[54] **CABLE CONNECTOR**

[75] Inventor: **Gordon Lok**, Montebello, Calif.

[73] Assignee: **Hon Hai Precision Ind. Co., Ltd.**,
Taipei Hsien, Taiwan

[**] Term: **14 Years**

[21] Appl. No.: **29/095,369**

[22] Filed: **Oct. 20, 1998**

[51] **LOC (6) Cl.** **13-03**

[52] **U.S. Cl.** **D13/147**

[58] **Field of Search** D13/146, 147;
439/352, 353, 358, 491, 731

[56] **References Cited**

U.S. PATENT DOCUMENTS

- D. 376,581 12/1996 Suzuki D13/147
- D. 379,968 6/1997 Tan et al. D13/147
- D. 384,330 9/1997 Ichijawa D13/146

- 5,533,908 7/1996 Henry et al. 439/352 X
- 5,584,713 12/1996 Kato et al. 439/353 X
- 5,588,864 12/1996 Lin 439/357
- 5,695,355 12/1997 Hasenfratz et al. 439/357
- 5,749,746 5/1998 Tan et al. 439/357

Primary Examiner—Joel Sincavage

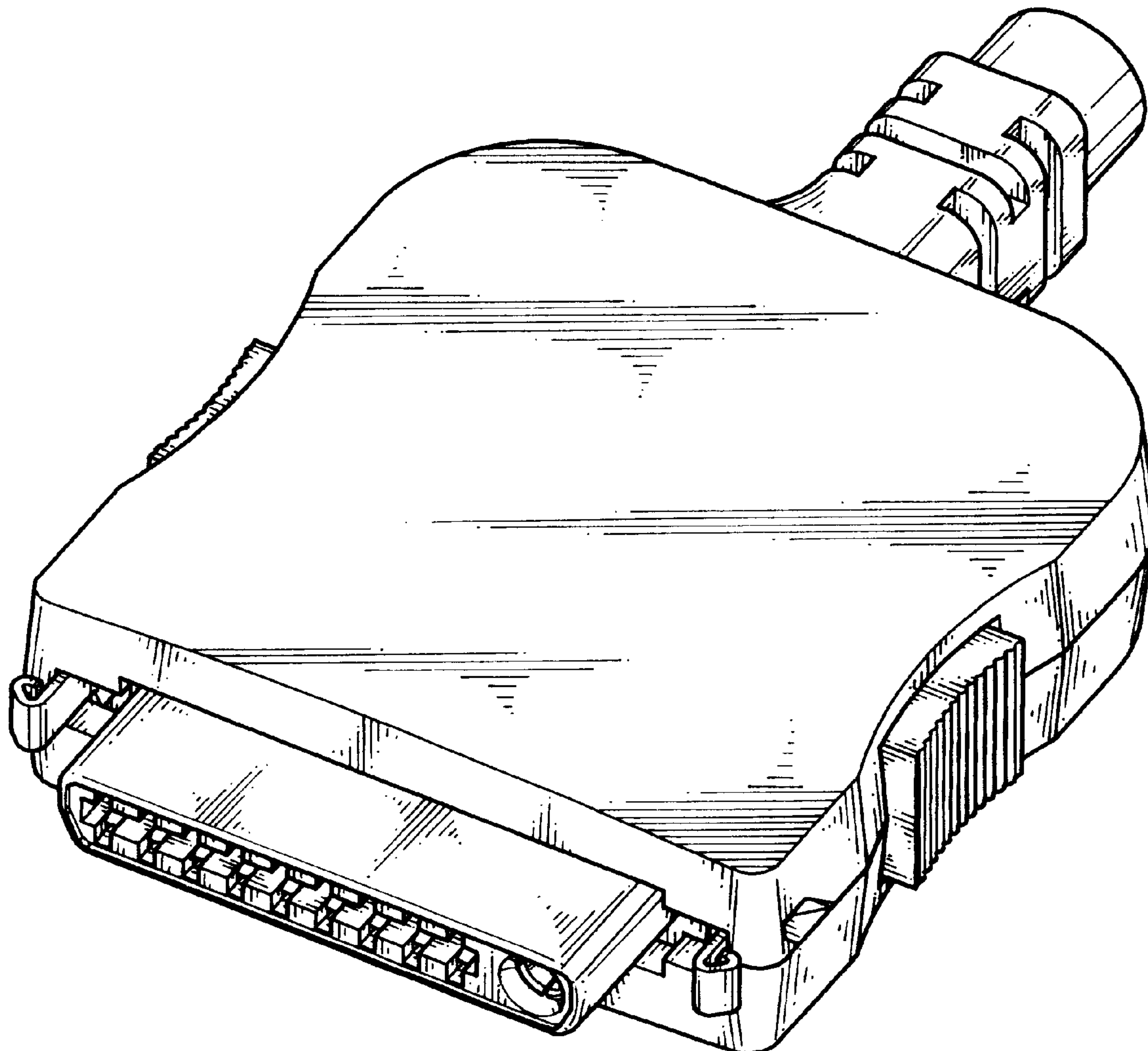
[57] **CLAIM**

The ornamental design for a cable connector, as shown.

DESCRIPTION

FIG. 1 is a front, top and right perspective view of a cable connector showing my new design;
 FIG. 2 is a front view thereof;
 FIG. 3 is a rear view thereof;
 FIG. 4 is a left side elevational view thereof;
 FIG. 5 is a right side elevational view thereof;
 FIG. 6 is a top plan view thereof; and,
 FIG. 7 is a bottom plan view thereof.

1 Claim, 5 Drawing Sheets



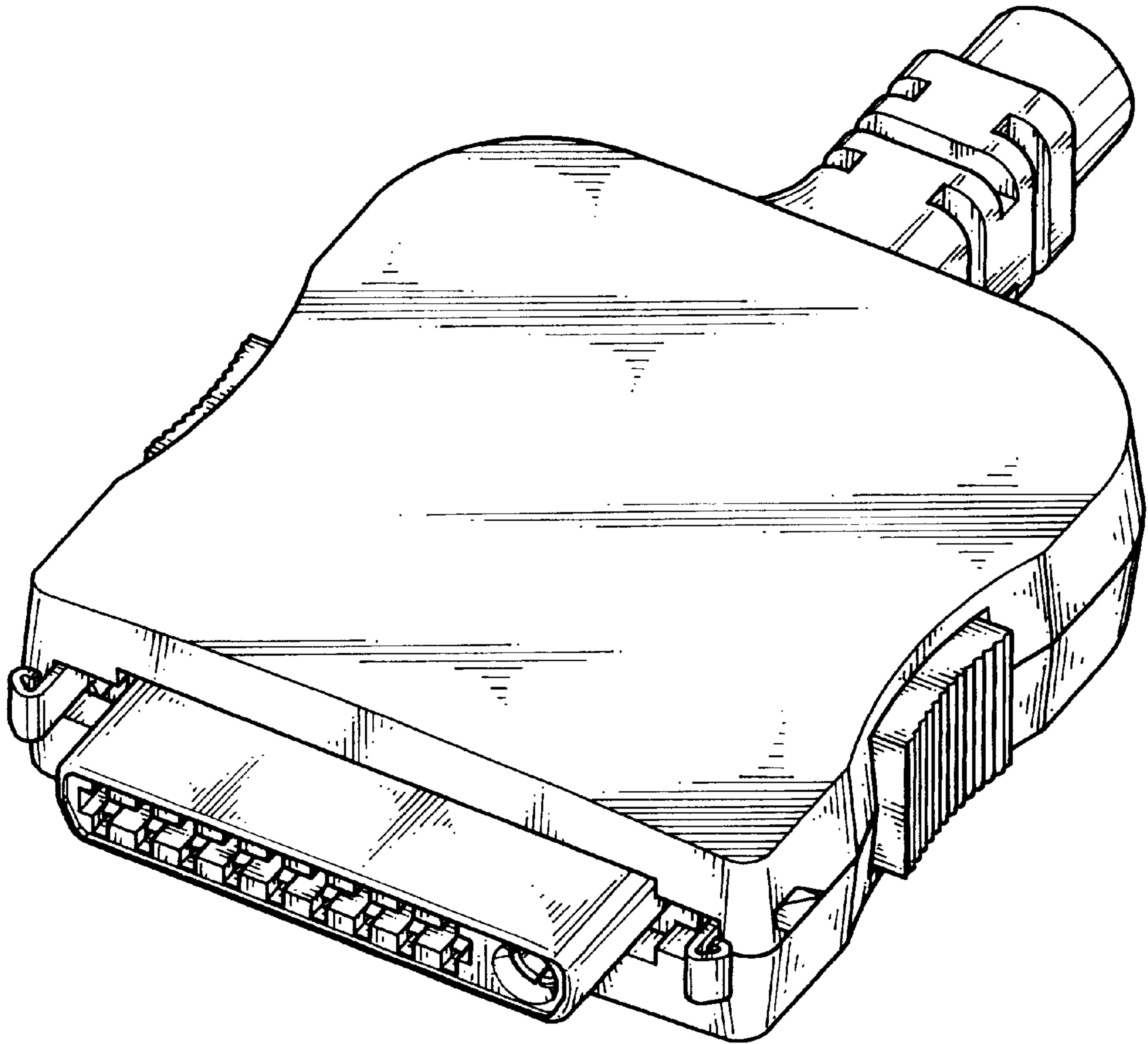


FIG. 1

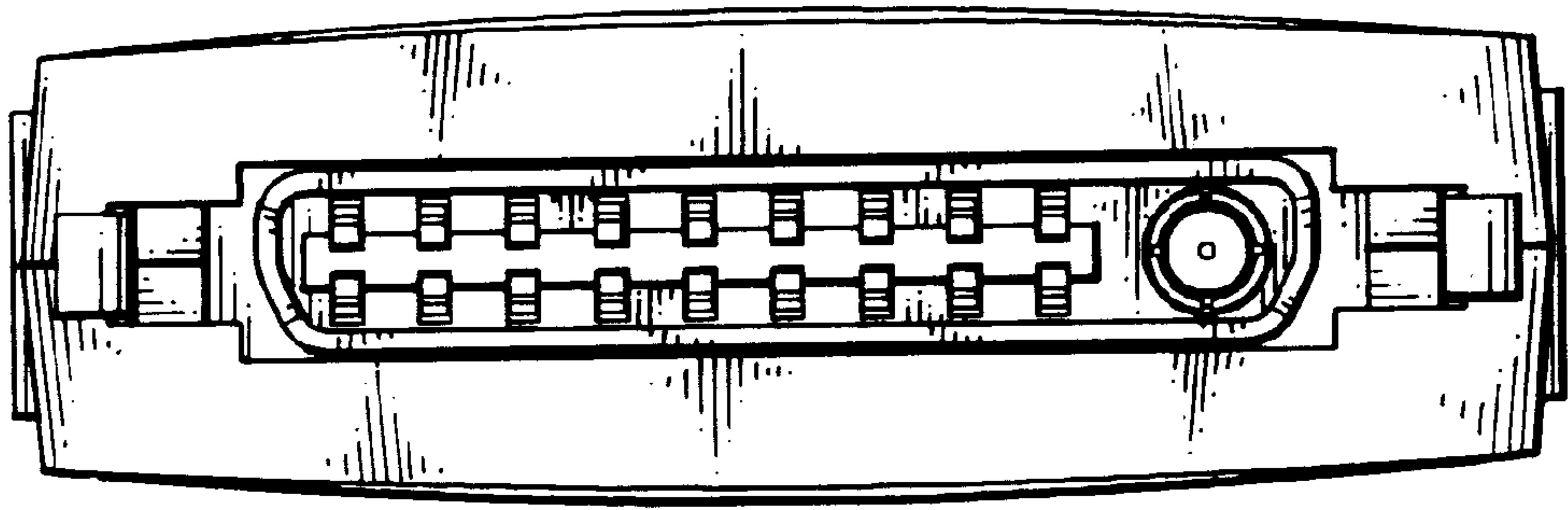


FIG. 2

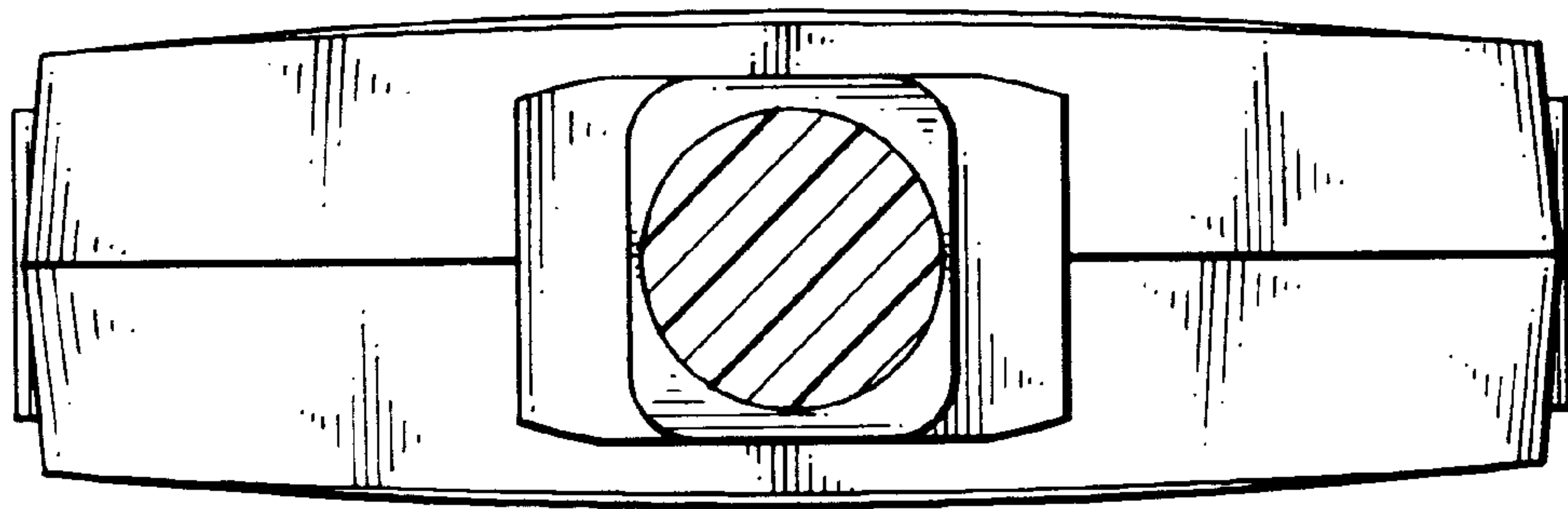


FIG. 3

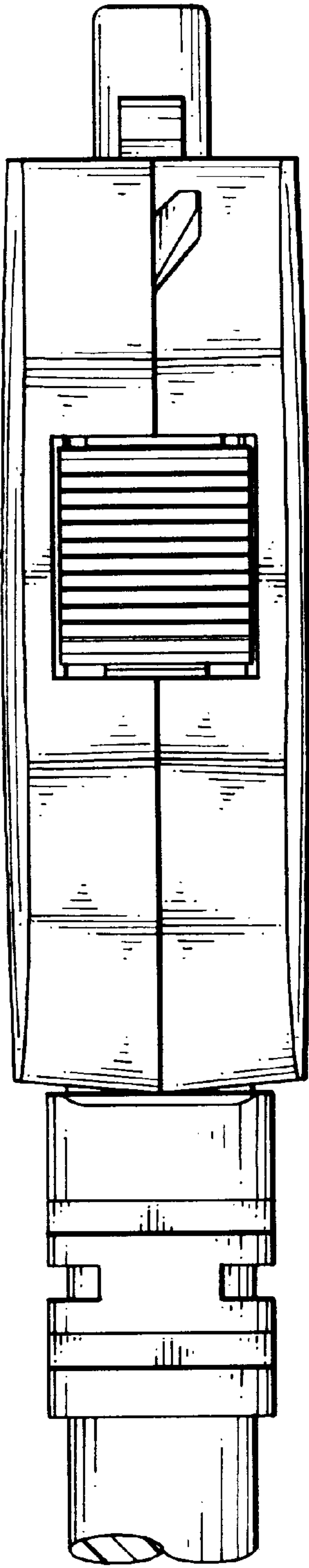


FIG. 4

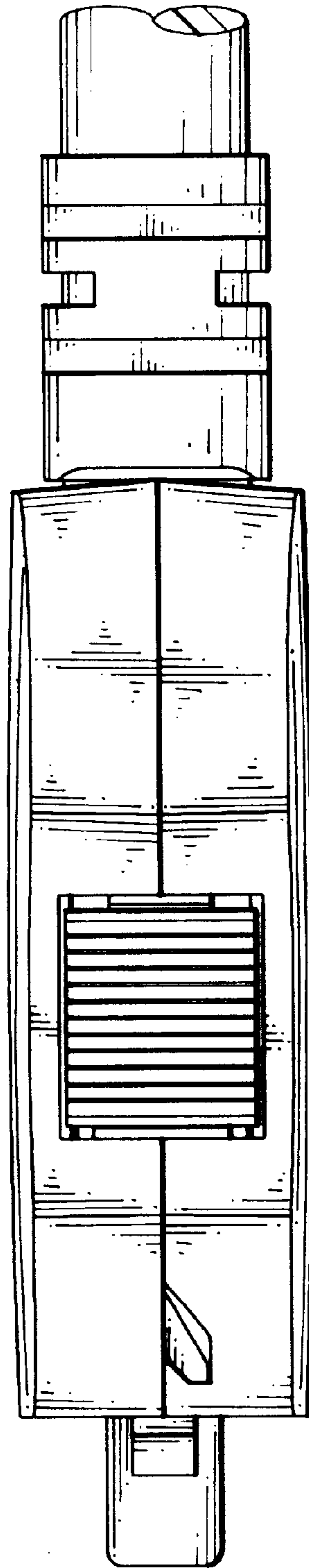


FIG. 5



FIG. 6

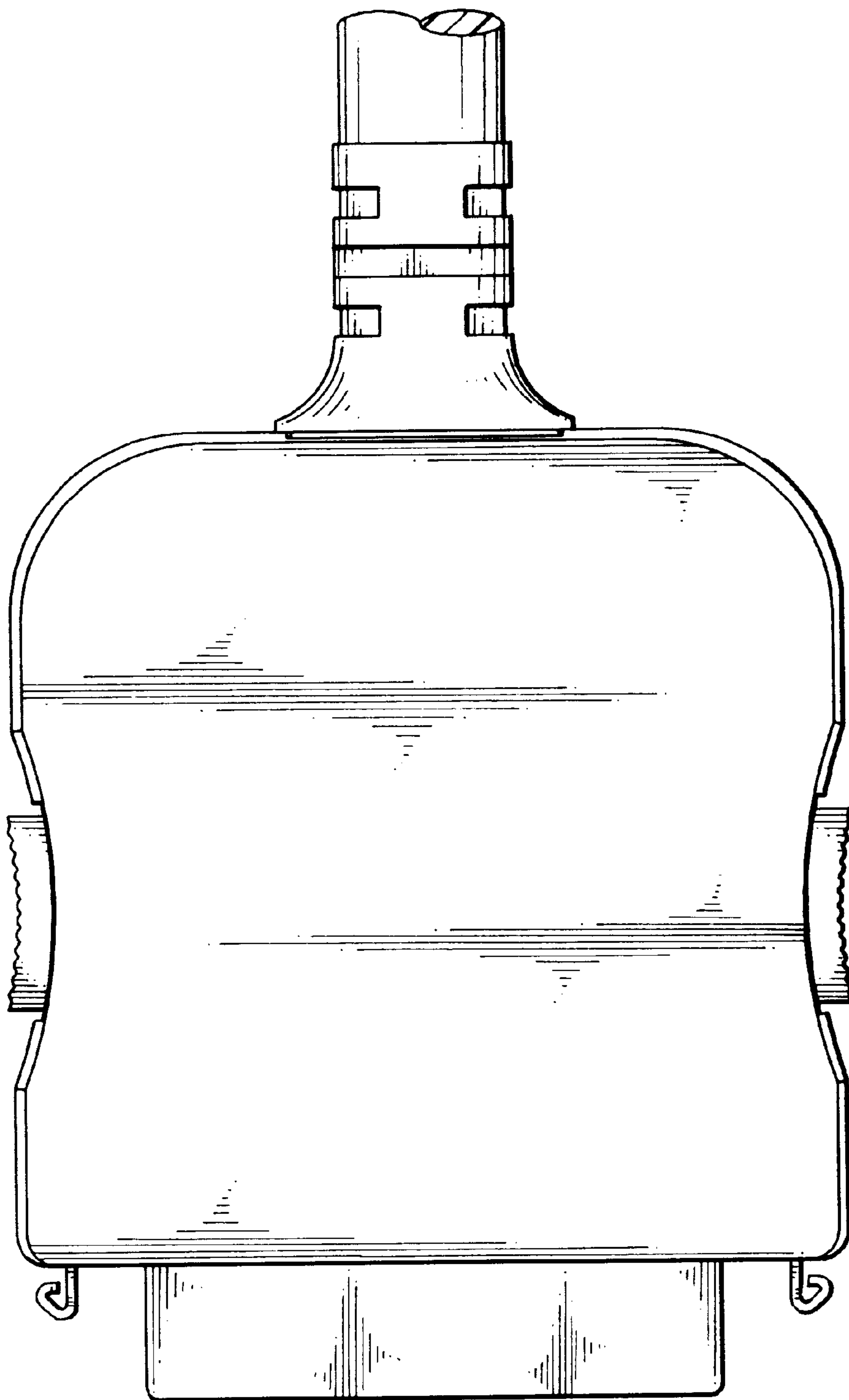


FIG. 7