



US00D412147S

United States Patent [19] Steinhagen

[11] Patent Number: **Des. 412,147**

[45] Date of Patent: **** Jul. 20, 1999**

[54] LICENSE PLATE FRAME

[75] Inventor: **Thomas R. Steinhagen**, West Des Moines, Iowa

[73] Assignee: **Cobbs Manufacturing Company**, Des Moines, Iowa

[**] Term: **14 Years**

[21] Appl. No.: **29/097,383**

[22] Filed: **Dec. 4, 1998**

[51] LOC (6) Cl. **12-16**

[52] U.S. Cl. **D12/193**

[58] Field of Search D12/193; D6/300-303, D6/310-313; 40/200-203, 207-210; D11/99, 133

[56] **References Cited**

U.S. PATENT DOCUMENTS

- D. 285,784 9/1986 Langensiepen D12/193
- D. 359,262 6/1995 Shusterman D12/193

- D. 377,161 1/1997 Shuen D12/193
- D. 383,720 9/1997 Spencer D12/193
- D. 384,627 10/1997 Clark et al. D12/193
- D. 398,271 9/1998 Wang D12/193

Primary Examiner—Doris V. Coles
Assistant Examiner—Stacia Sinuik
Attorney, Agent, or Firm—Dick and Harris

[57] **CLAIM**

The ornamental design for a license plate frame, as shown and described.

DESCRIPTION

FIG. 1 is a perspective view of the license plate frame showing a new ornamental design thereof; FIG. 2 is an enlarged front elevation view thereof; FIG. 3 is an enlarged rear elevation view thereof; FIG. 4 is an enlarged top plan view thereof; FIG. 5 is an enlarged bottom plan view thereof; FIG. 6 is an enlarged left side elevational view thereof; and, FIG. 7 is an enlarged right side elevational view thereof.

1 Claim, 2 Drawing Sheets

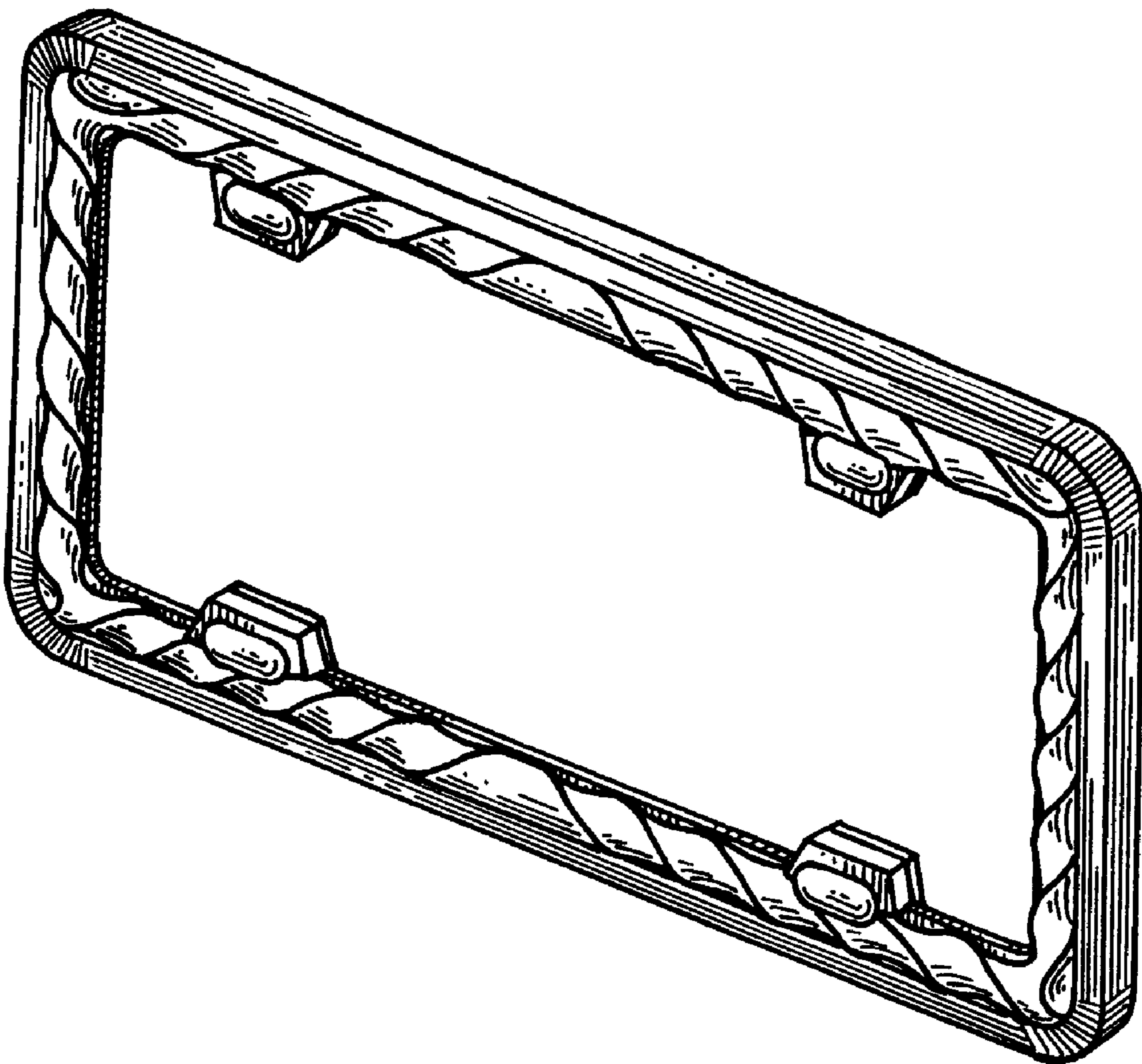


Fig 1

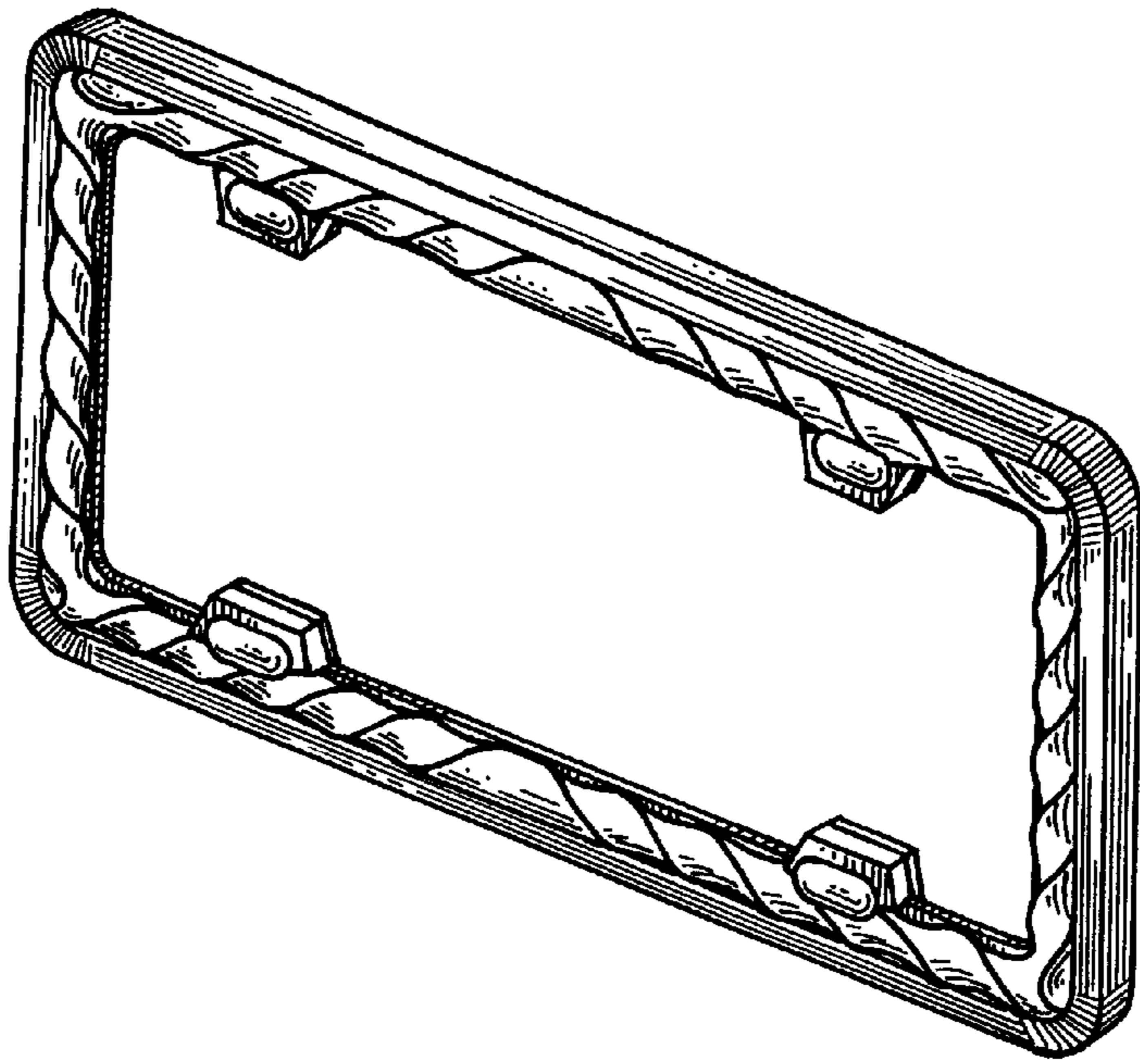


Fig 4

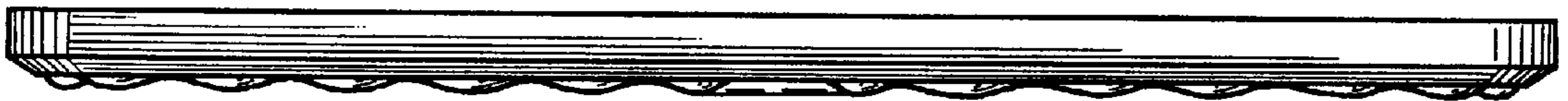


Fig 5

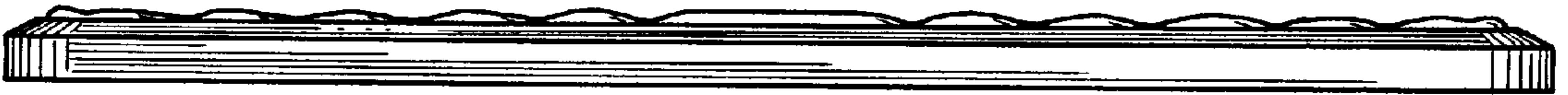


Fig 6



Fig 7



Fig 2

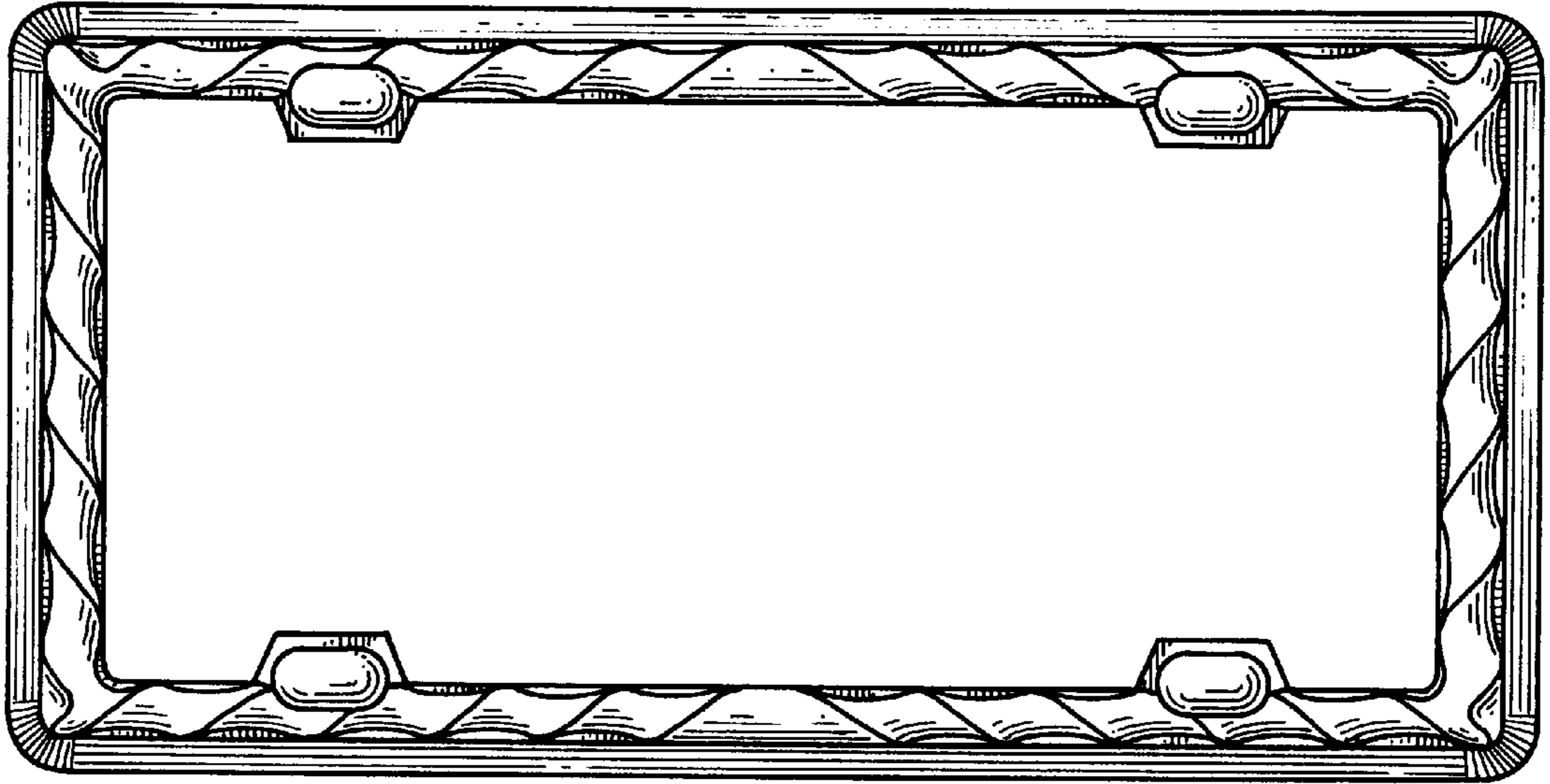


Fig 3

