



US00D412142S

United States Patent [19]
Dickie

[11] **Patent Number: Des. 412,142**
[45] **Date of Patent: ** Jul. 20, 1999**

[54] **EXTRUDED FRAME WITH ADJUSTABLE TRACK SYSTEM FOR A WHEELCHAIR**

[75] Inventor: **Paul C. Dickie**, Clovis, Calif.

[73] Assignee: **Sunrise Medical HHG Inc.**, Longmont, Colo.

[**] Term: **14 Years**

[21] Appl. No.: **29/096,437**

[22] Filed: **Nov. 13, 1998**

[51] **LOC (6) Cl.** **12-12**

[52] **U.S. Cl.** **D12/133; D25/122**

[58] **Field of Search** **D12/128-133; D25/119, 122, 123, 124, 125; 280/250.1, 304.1**

[56] **References Cited**

U.S. PATENT DOCUMENTS

D. 257,666	12/1980	McKee	D25/124
D. 324,645	3/1992	Magro et al.	D25/122 X
D. 337,257	7/1993	Danieli	D25/122
D. 375,600	11/1996	Hirano et al.	D34/27
5,743,545	4/1998	Kunze et al.	280/250.1

Primary Examiner—Kay H. Chin
Attorney, Agent, or Firm—MacMillan, Sobanski & Todd, LLC

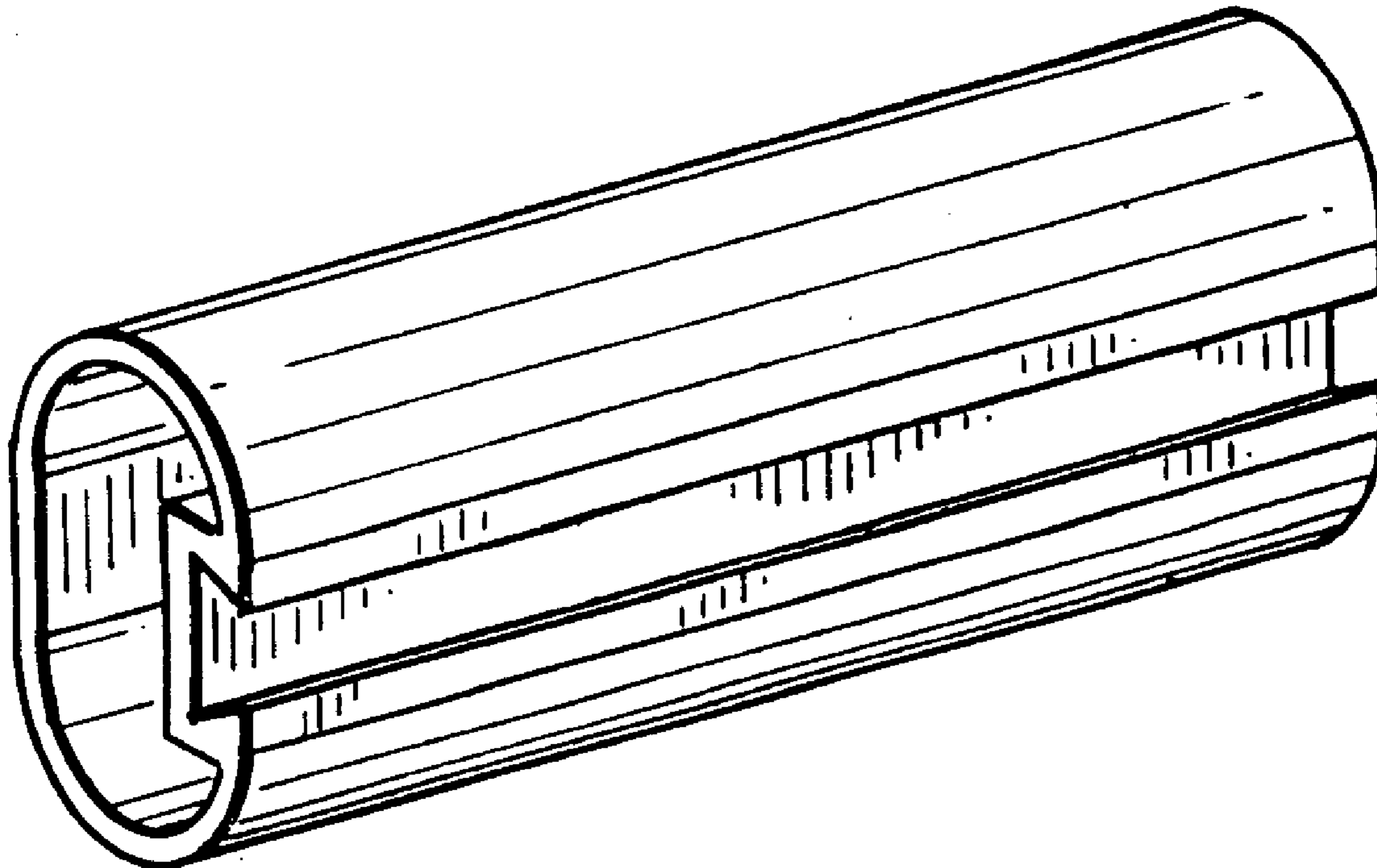
[57] **CLAIM**

The ornamental design for an extruded frame with adjustable track system for a wheelchair, as shown and described.

DESCRIPTION

FIG. 1 is a perspective view of an extruded frame with adjustable track system for a wheelchair showing my new design;
FIG. 2 is a front elevational view with the rear being a mirror image thereof;
FIG. 3 is a right side view thereof;
FIG. 4 is a front elevational view of a second embodiment of the extruded frame with the rear being a mirror image thereof;
FIG. 5 is a right side view of the embodiment shown in FIG. 4;
FIG. 6 is a left side view of the embodiments shown in FIGS. 1 through 4; and,
FIG. 7 is a top plan view of the embodiments shown in FIGS. 1 through 4 with the bottom being a mirror image thereof.

1 Claim, 1 Drawing Sheet



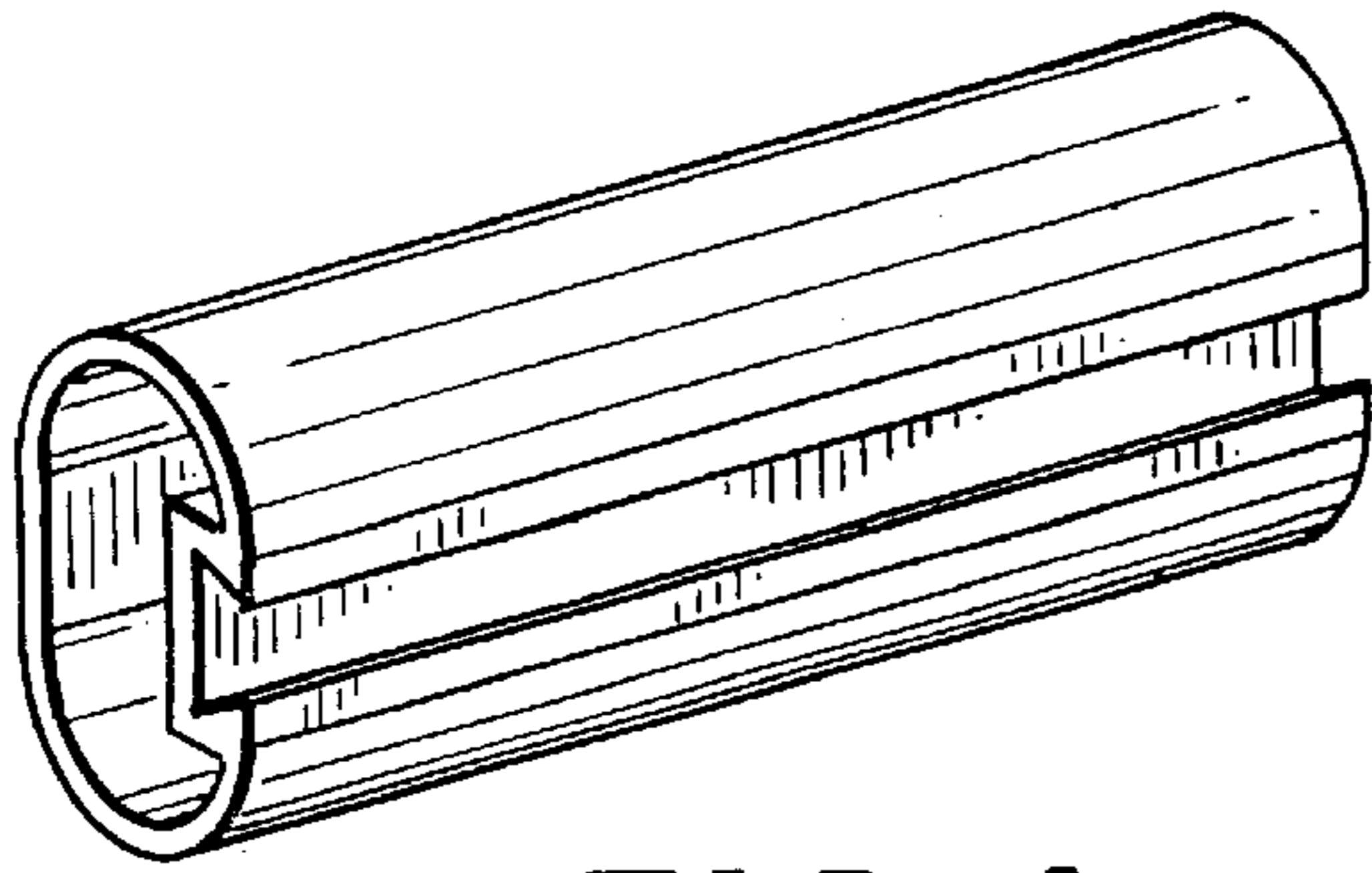


FIG. 1

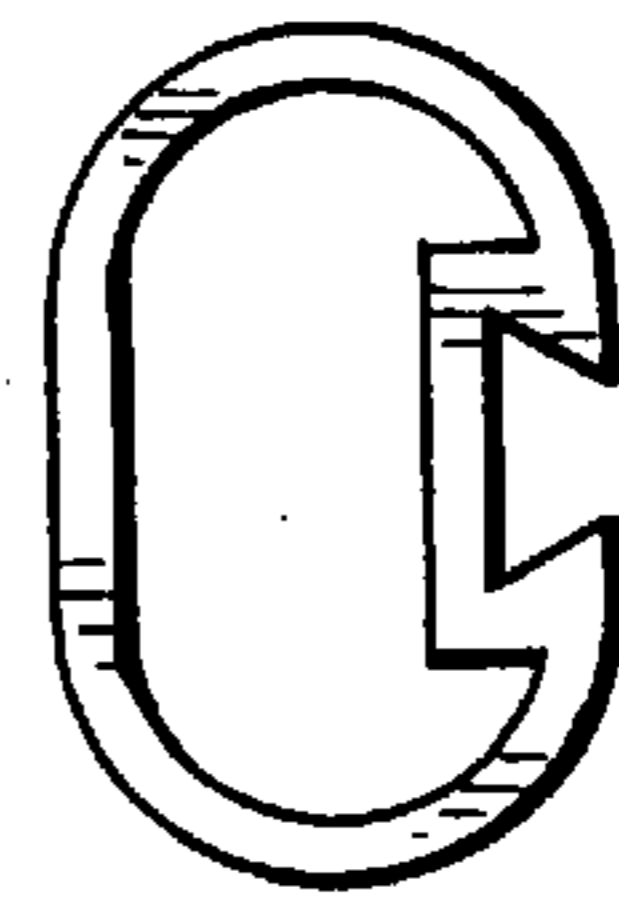


FIG. 2

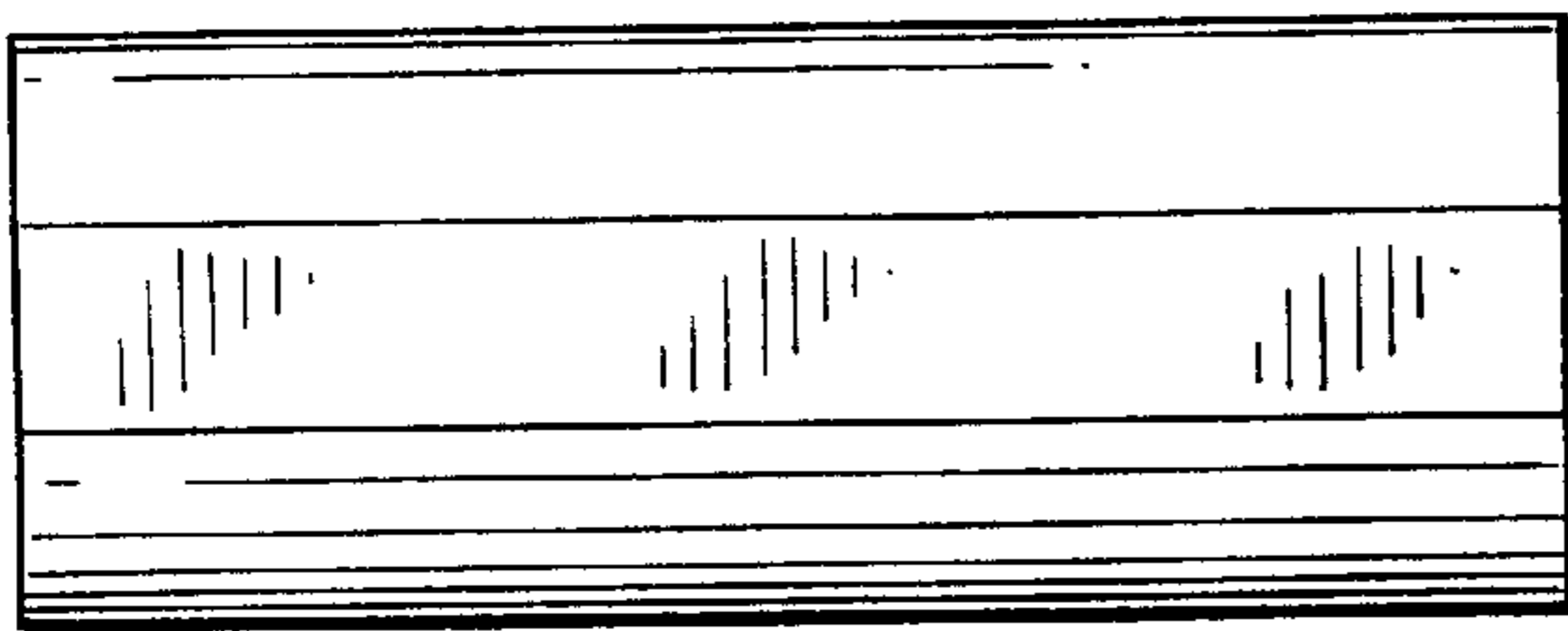


FIG. 3

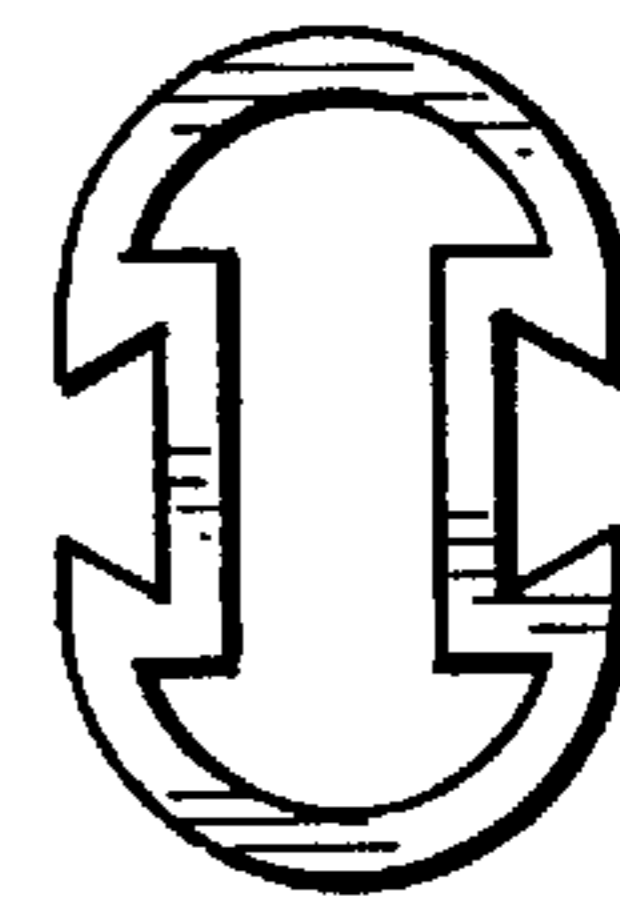


FIG. 4

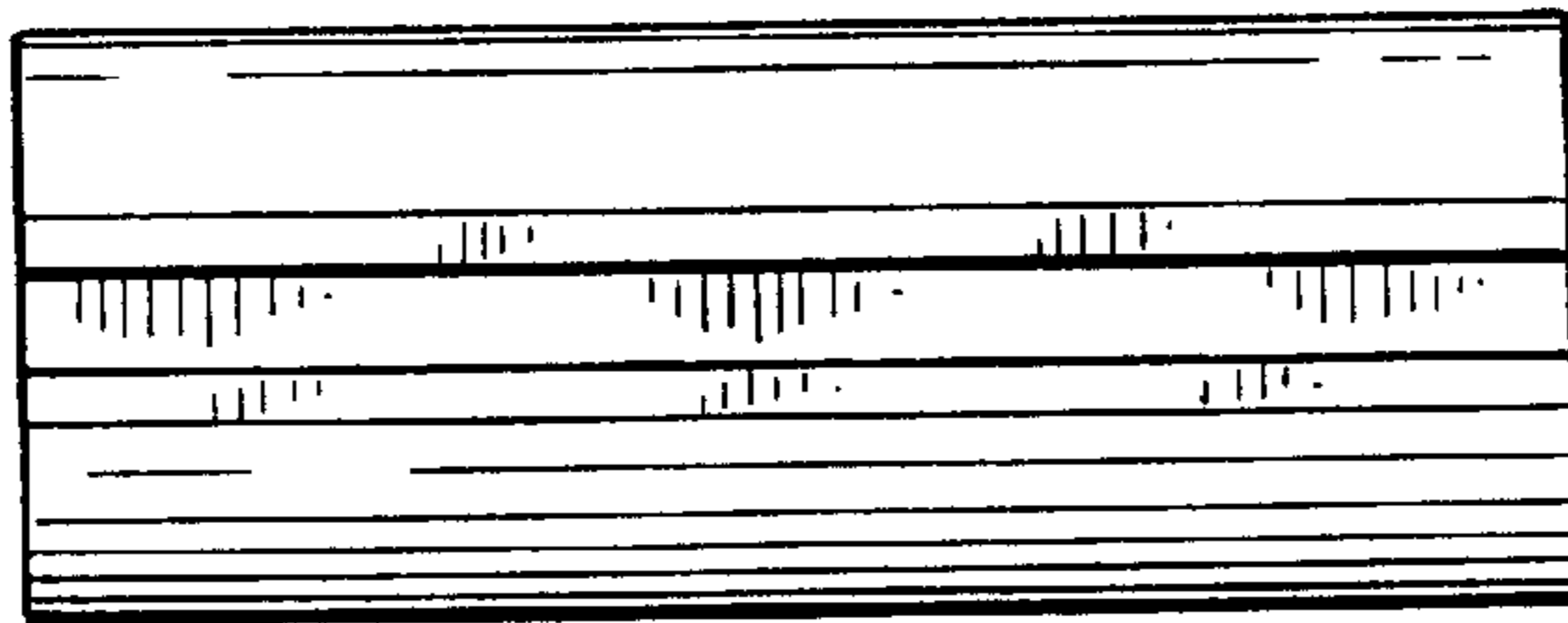


FIG. 5

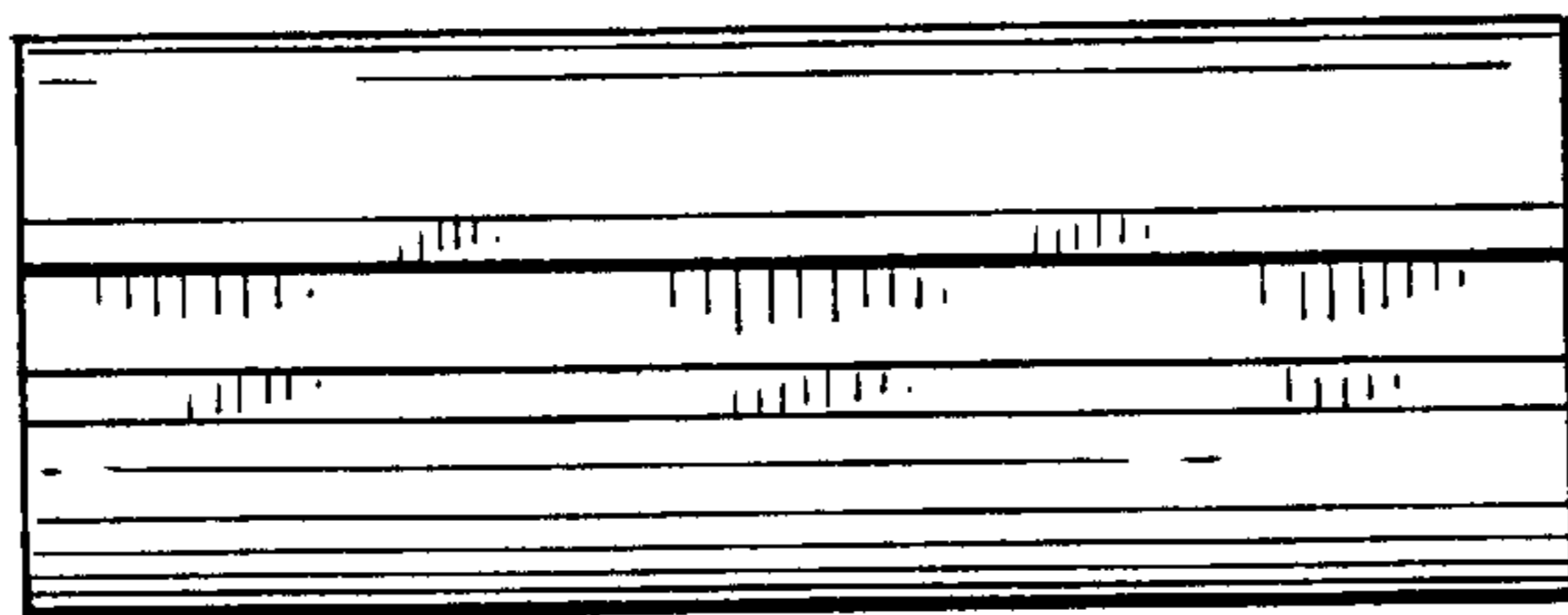


FIG. 6

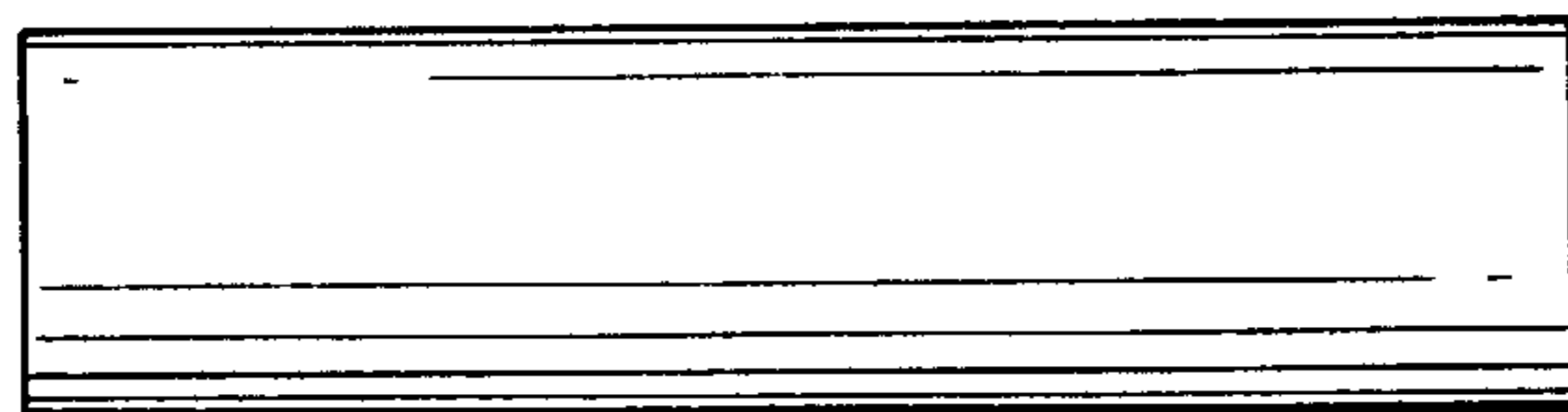


FIG. 7