



US00D412141S

United States Patent [19]

Dickie et al.

[11] Patent Number: Des. 412,141

[45] Date of Patent: ** Jul. 20, 1999

[54] EXTRUDED BASE FRAME WITH ADJUSTABLE TRACK SYSTEM FOR A WHEELCHAIR

[75] Inventors: Paul C. Dickie, Clovis, Calif.; Darin J. Trippensee, Boulder, Colo.

[73] Assignee: Sunrise Medical HHG Inc., Longmont, Colo.

[**] Term: 14 Years

[21] Appl. No.: 29/096,435

[22] Filed: Nov. 13, 1998

Related U.S. Application Data

[51] LOC (6) Cl. 12-12

[52] U.S. Cl. D12/133

[58] Field of Search D12/128-133; 280/250.1, 642, 647, 304.1; 297/DIG. 4

[56] References Cited

U.S. PATENT DOCUMENTS

D. 357,442	4/1995	Okamoto	D12/133
5,064,211	11/1991	Huttenhuis et al.	280/250.1
5,382,036	1/1995	Counts et al.	280/250.1
5,743,545	4/1998	Kunze et al.	280/250.1

Primary Examiner—Kay H. Chin
Attorney, Agent, or Firm—MacMillan, Sobanski & Todd, LLC

[57] CLAIM

The ornamental design for an extruded base frame with adjustable track system for a wheelchair, as shown and described.

DESCRIPTION

FIG. 1 is a perspective view of an extruded base frame with adjustable track system for a wheelchair showing our new design;

FIG. 2 is a left side view thereof;

FIG. 3 is a left side view of a second embodiment of the extruded base frame;

FIG. 4 is a rear elevational view of the embodiment shown in FIGS. 1 and 2;

FIG. 5 is a rear elevational view of the embodiment shown in FIG. 3;

FIG. 6 is a front elevational view of the embodiments shown in FIGS. 1 through 5;

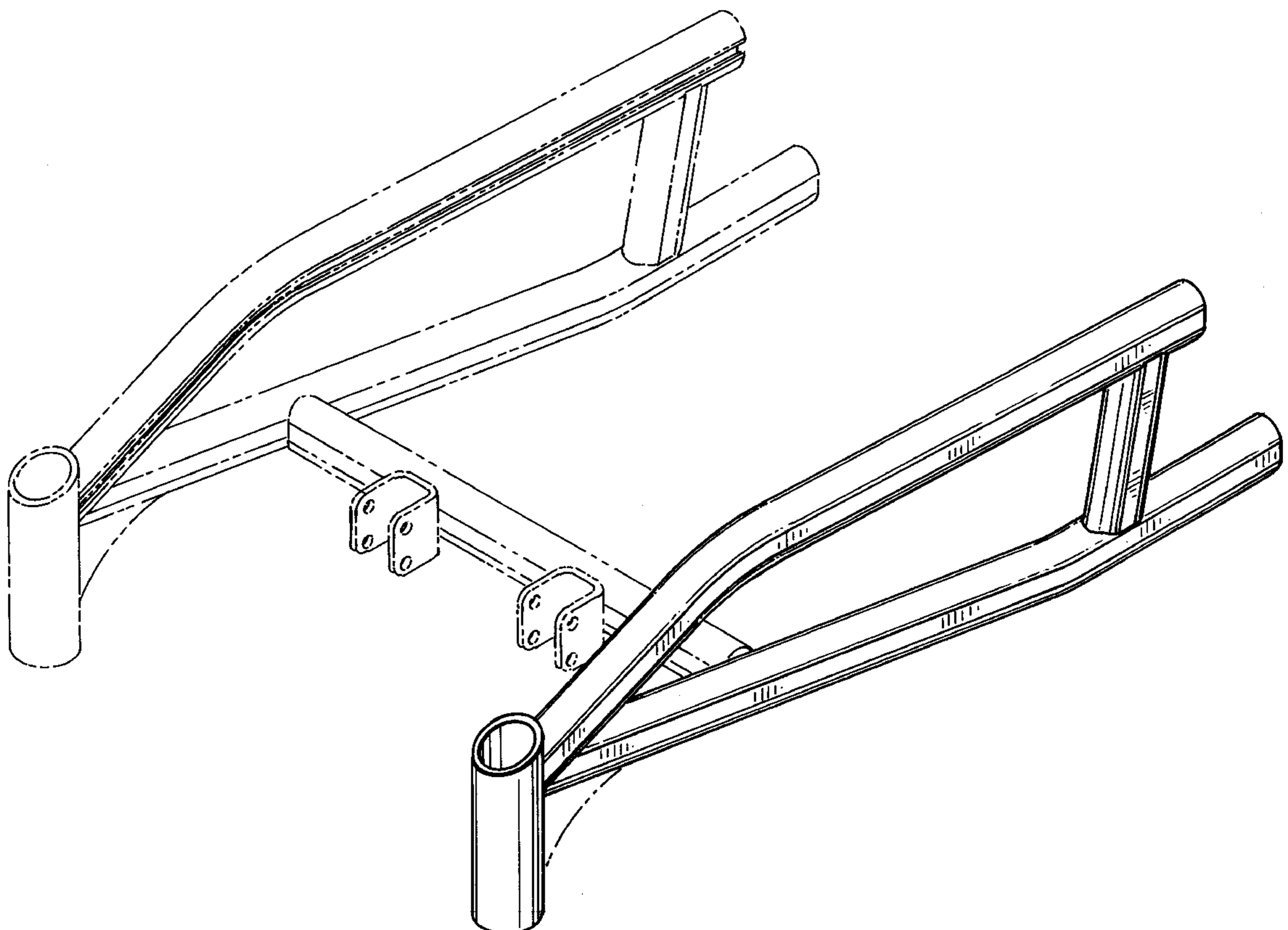
FIG. 7 is a right side view of the embodiments shown in FIGS. 1 through 5; and

FIG. 8 is a top plan view of the embodiments shown in FIGS. 1 through 5; and,

FIG. 9 is a bottom plan view of the embodiments shown in FIGS. 1 through 5.

The broken line in FIG. 1 showing the frame and strut is for illustrative purposes only and forms no part of the claimed design.

1 Claim, 4 Drawing Sheets



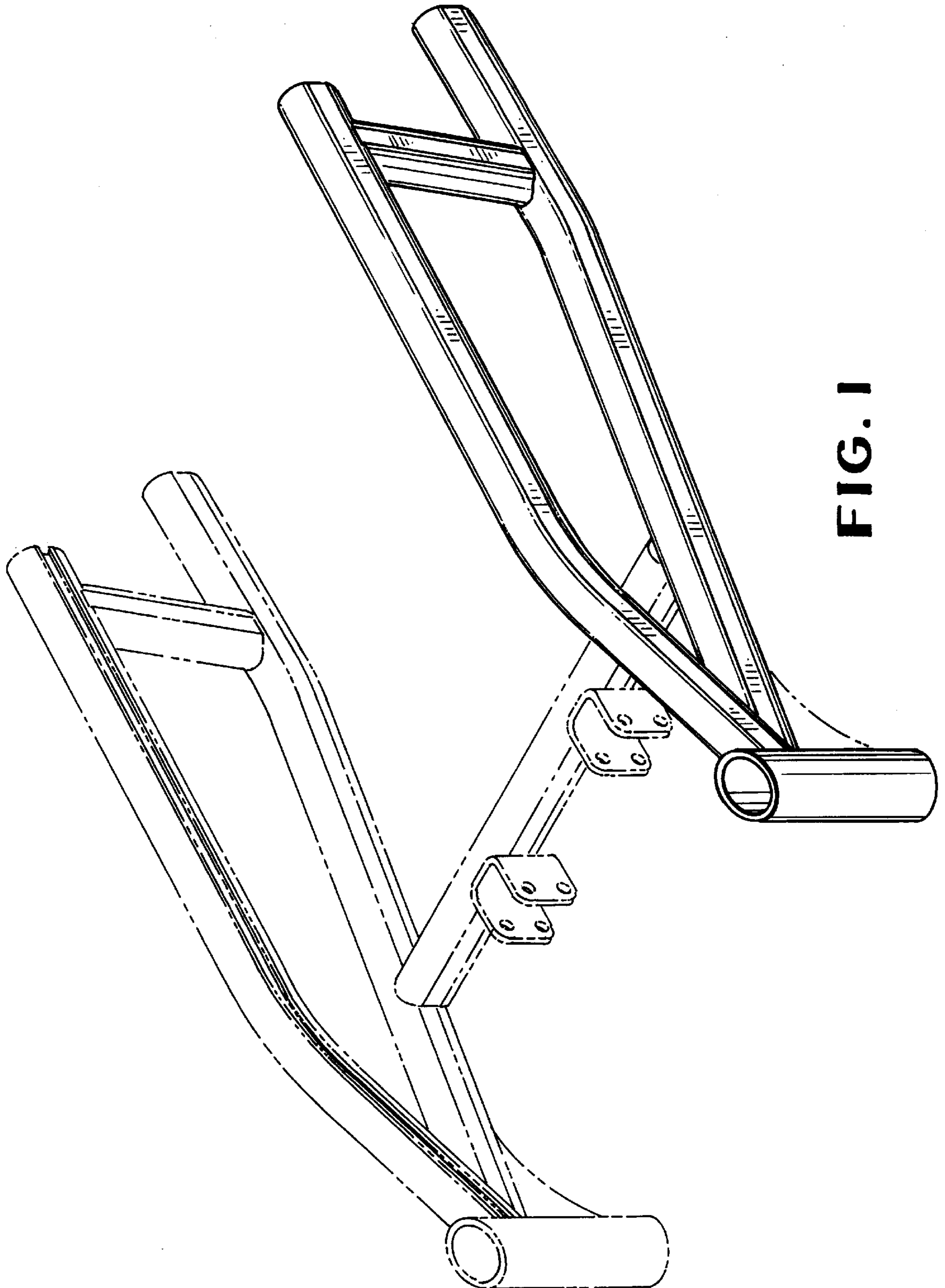


FIG. 1

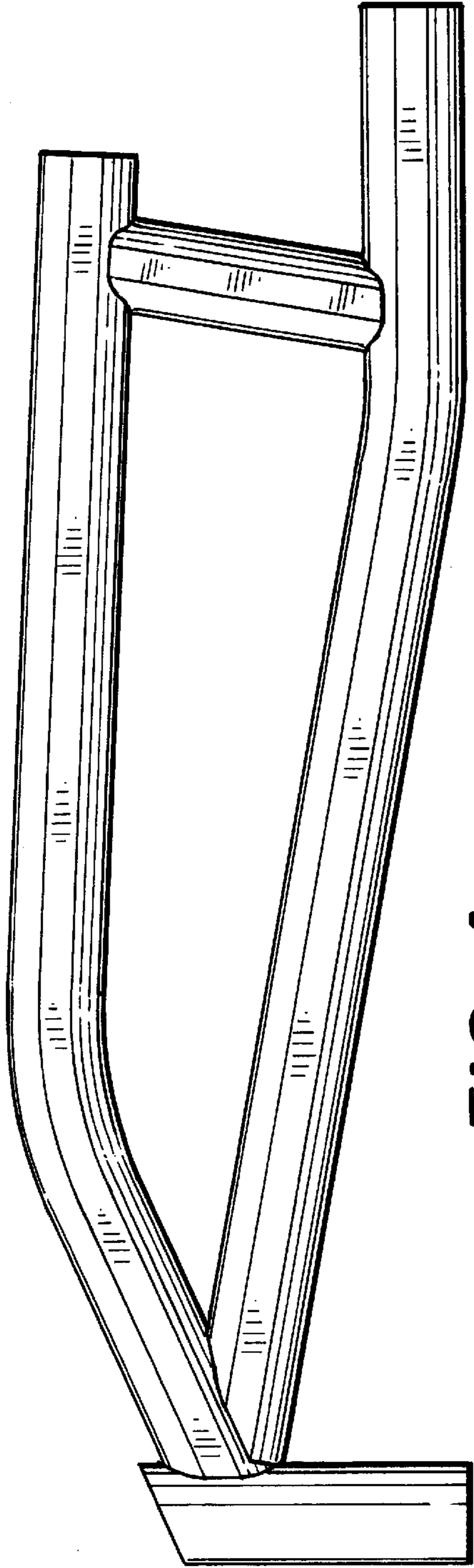


FIG. 4

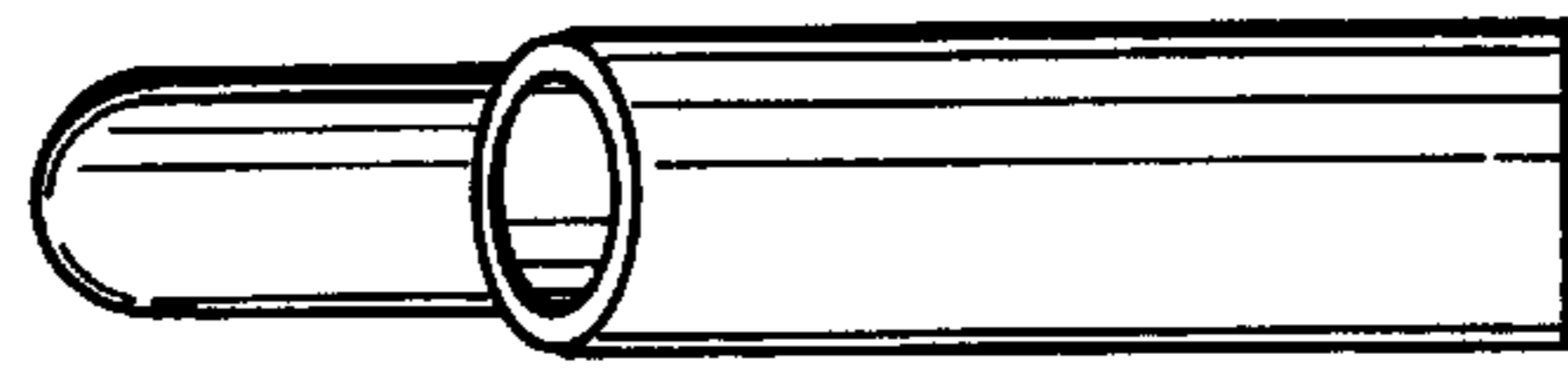


FIG. 2

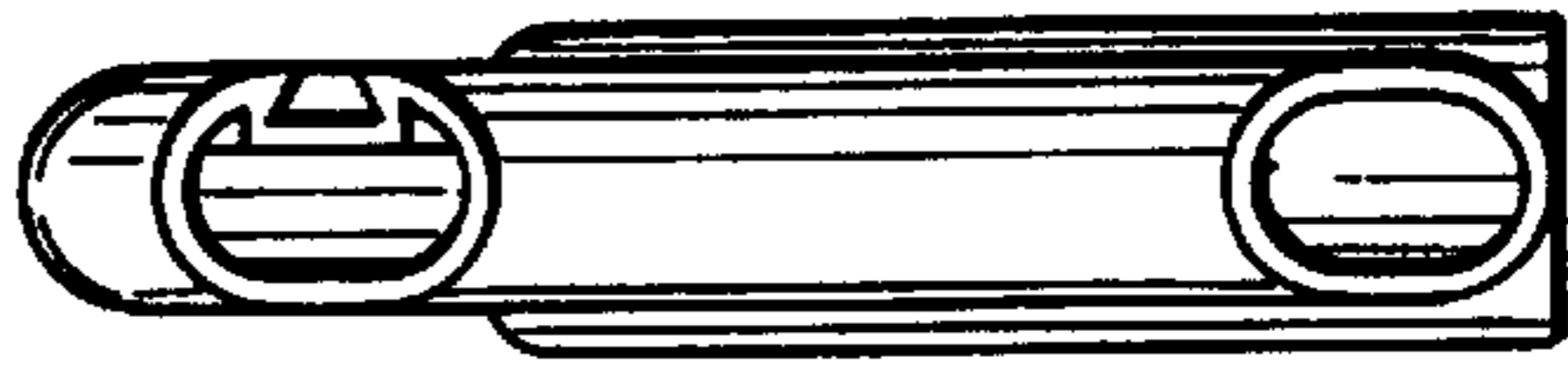


FIG. 3

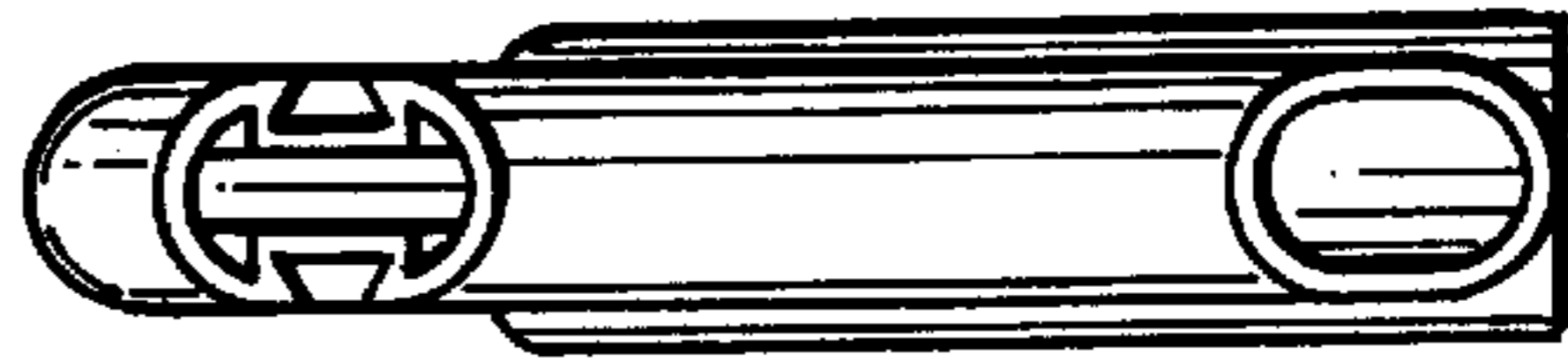


FIG. 5

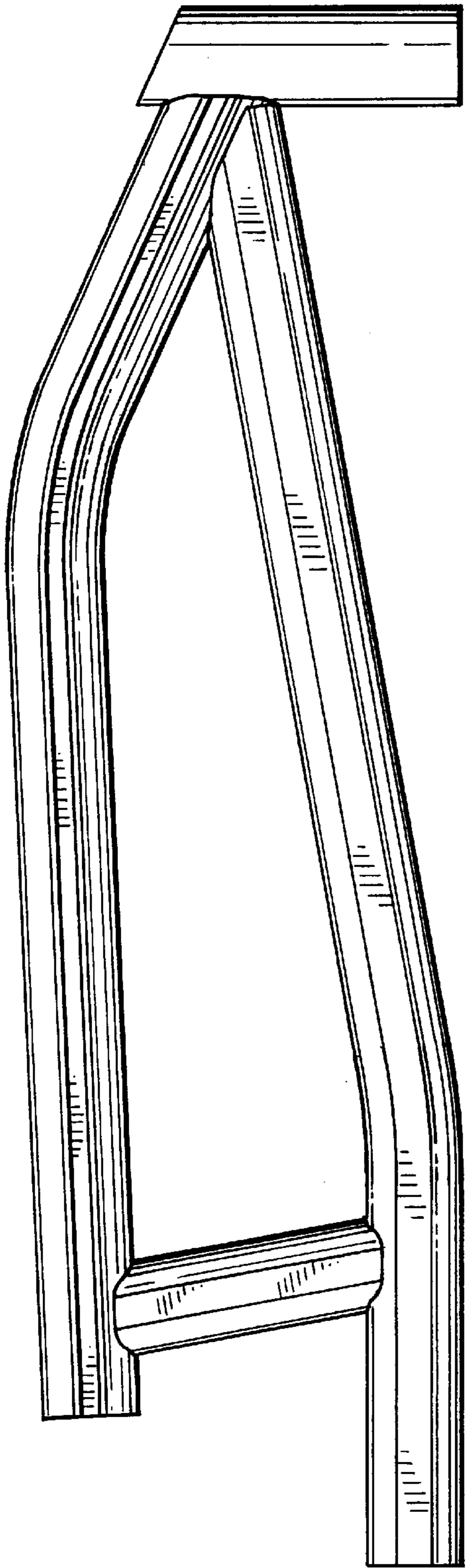


FIG. 6

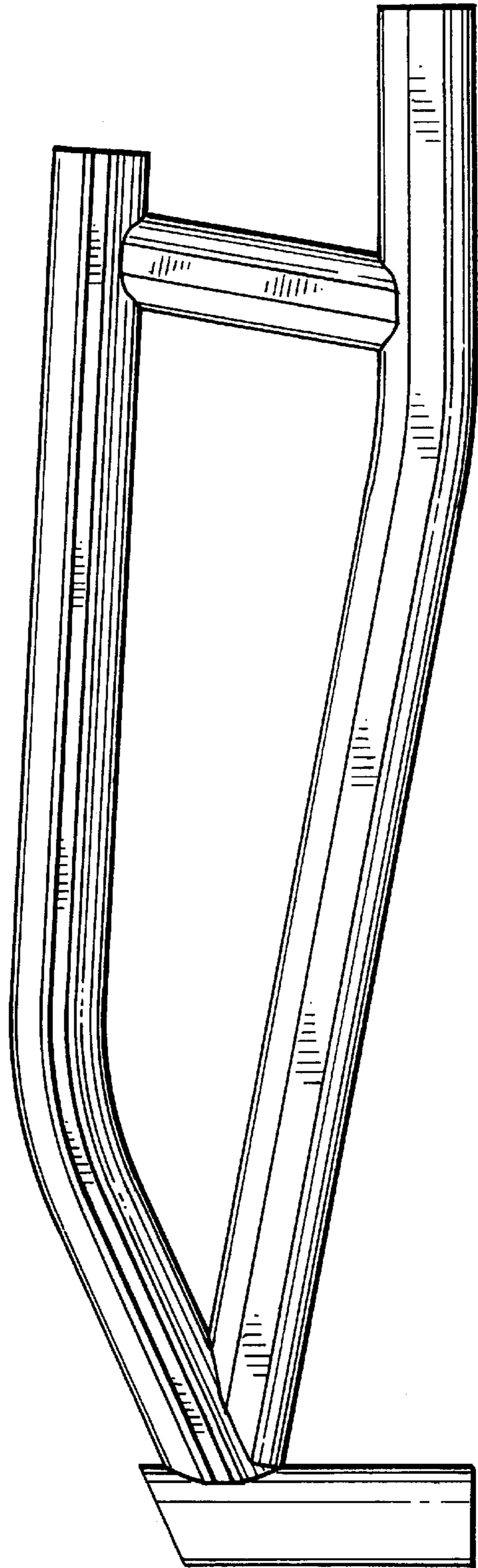


FIG. 7

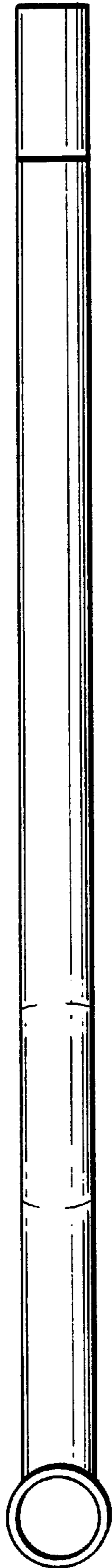


FIG. 8

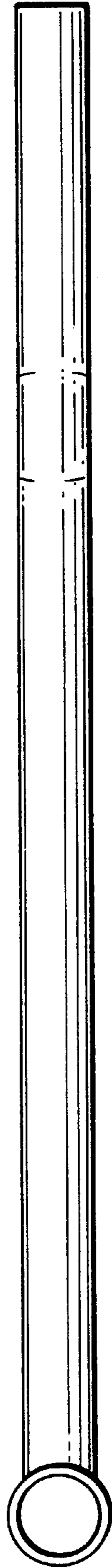


FIG. 9