



US00D412139S

United States Patent [19]

Hanlon et al.

[11] Patent Number: Des. 412,139

[45] Date of Patent: ** Jul. 20, 1999

[54] MOTORCYCLE INSTRUMENT FRAME

[75] Inventors: Daniel L. Hanlon, Burnsville; David P. Hanlon; Jennie L. Hanlon, both of Apple Valley; Anthony N. Pink, Prior Lake, all of Minn.

[73] Assignee: Excelsior-Henderson Motrocycle Manufacturing Company, Belle Plaine, Minn.

[**] Term: 14 Years

[21] Appl. No.: 29/091,357

[22] Filed: Jul. 28, 1998

Related U.S. Application Data

[63] Continuation-in-part of application No. 29/074,382, Jul. 28, 1997, abandoned.

[51] LOC (6) Cl. 12-11

[52] U.S. Cl. D12/126

[58] Field of Search D12/117, 114, D12/110, 126, 186; 180/219; 280/288.4

[56] References Cited

U.S. PATENT DOCUMENTS

D. 241,422 9/1976 Petty 12/186

D. 259,872 7/1981 Ramsey 12/126
D. 336,451 6/1993 Huebner 12/126
D. 347,810 6/1994 Matthies D12/126

Primary Examiner—Pamela Burgess
Attorney, Agent, or Firm—Schwegman, Lundberg, Woessner & Kluth, P.A.

[57] CLAIM

The ornamental design for a motorcycle instrument frame, as shown and described.

DESCRIPTION

FIG. 1 is a front right perspective view of a motorcycle instrument frame incorporating a design according to the invention.

FIG. 2 is a left perspective view of the motorcycle instrument frame of FIG. 1.

FIG. 3 is a top view of the motorcycle instrument frame of FIG. 1.

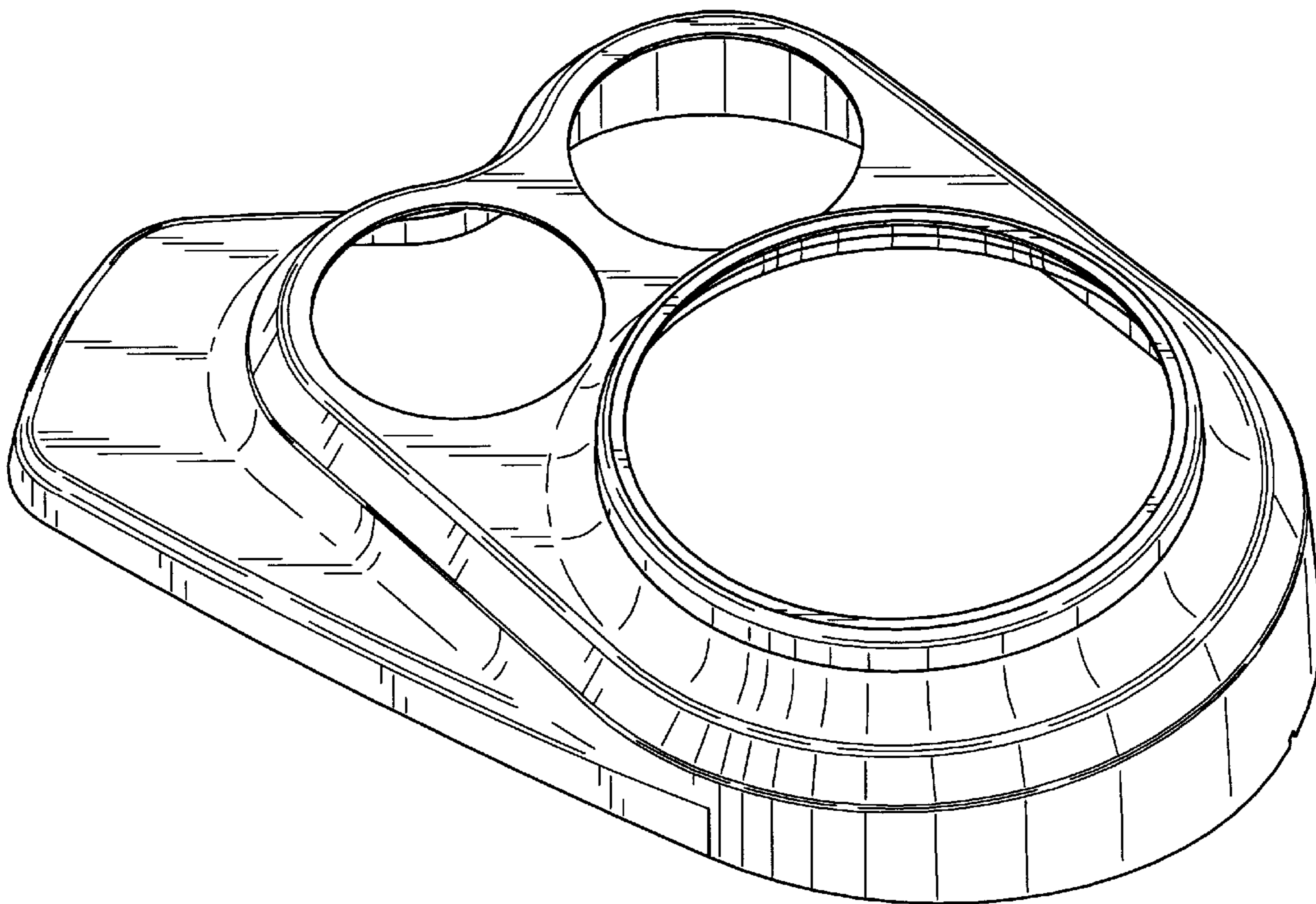
FIG. 4 is a front view of the motorcycle instrument frame of FIG. 1.

FIG. 5 is a rear view of the motorcycle instrument frame of FIG. 1.

FIG. 6 is a right side view of the motorcycle instrument frame of FIG. 1; and,

FIG. 7 is a left side view of the motorcycle instrument frame of FIG. 1.

1 Claim, 5 Drawing Sheets



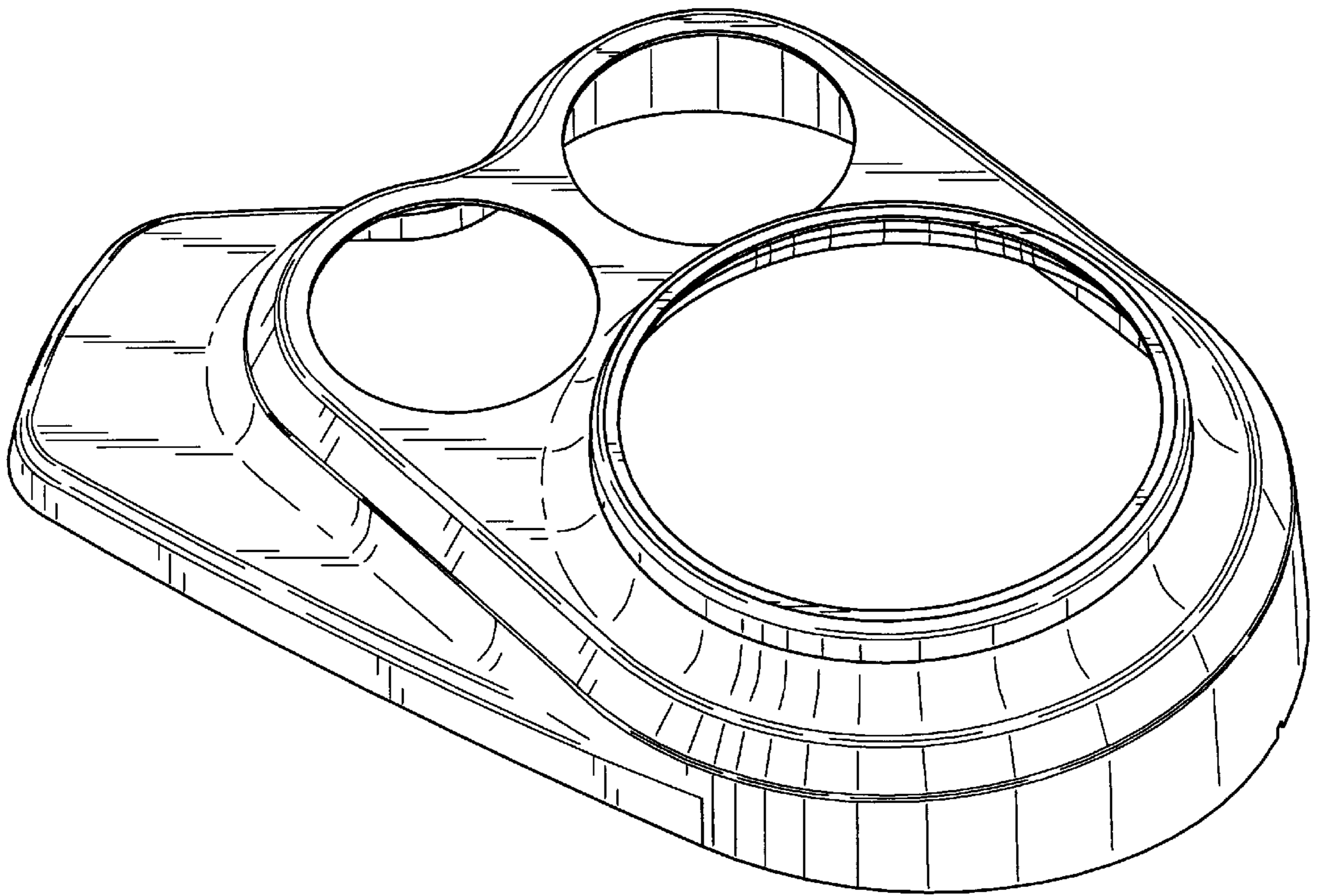


FIG. 1

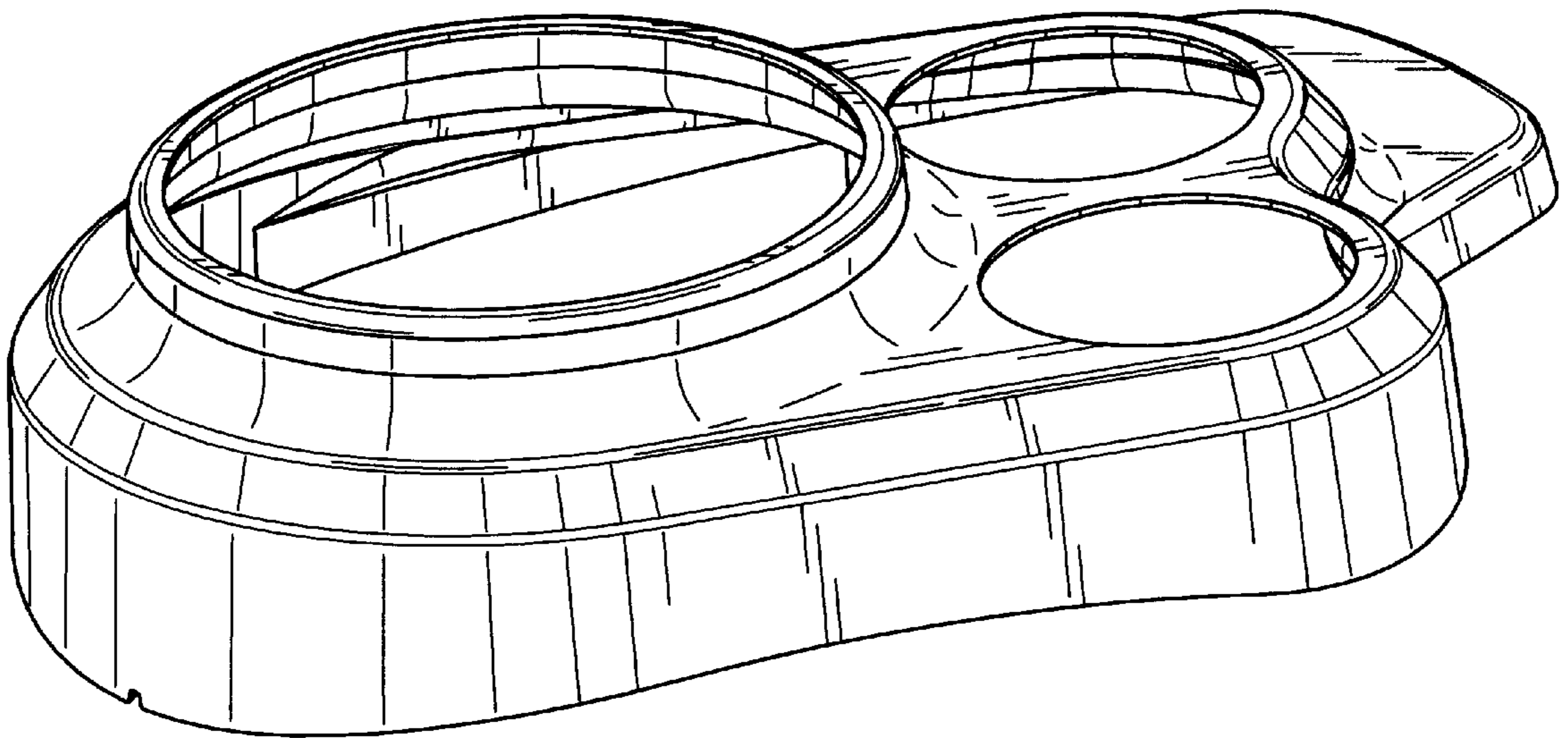


FIG. 2

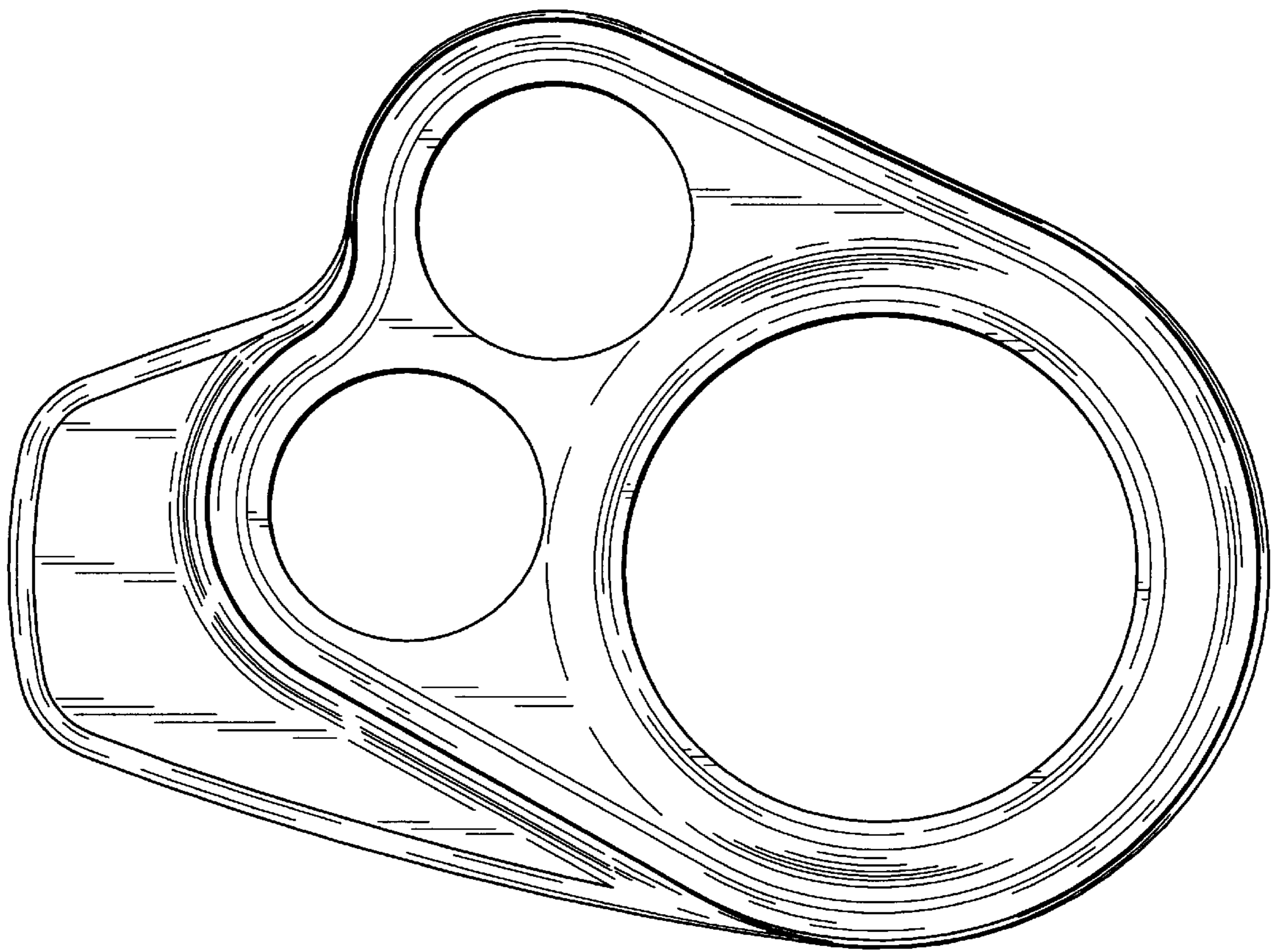


FIG. 3

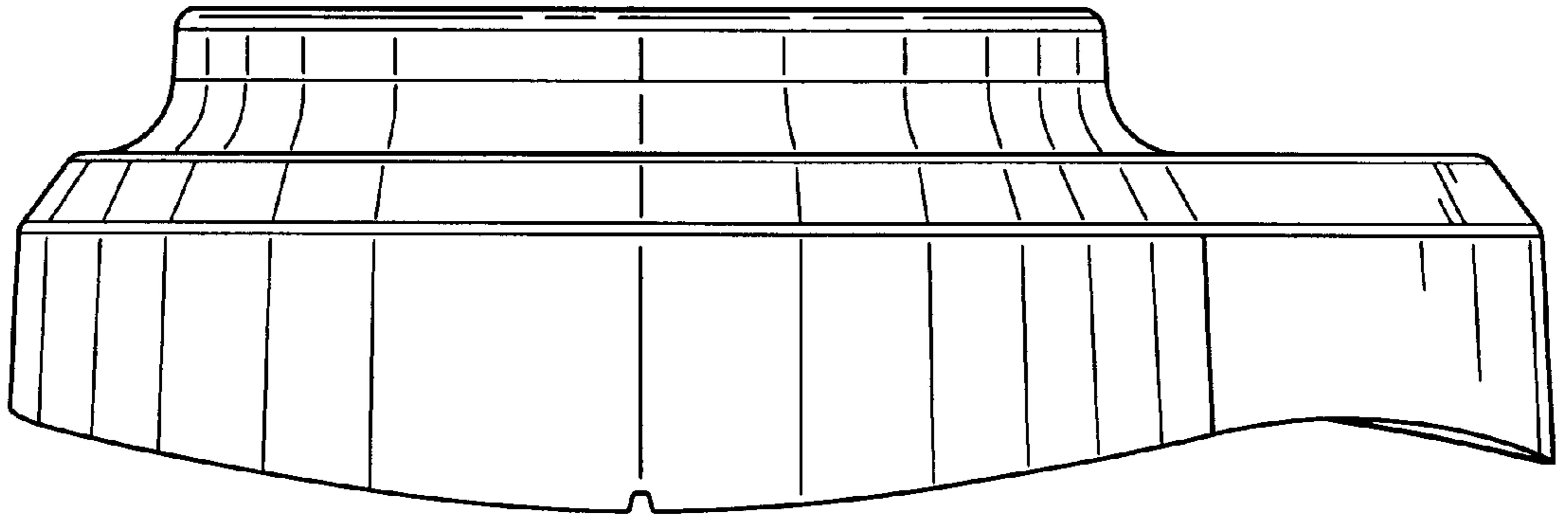


FIG. 4

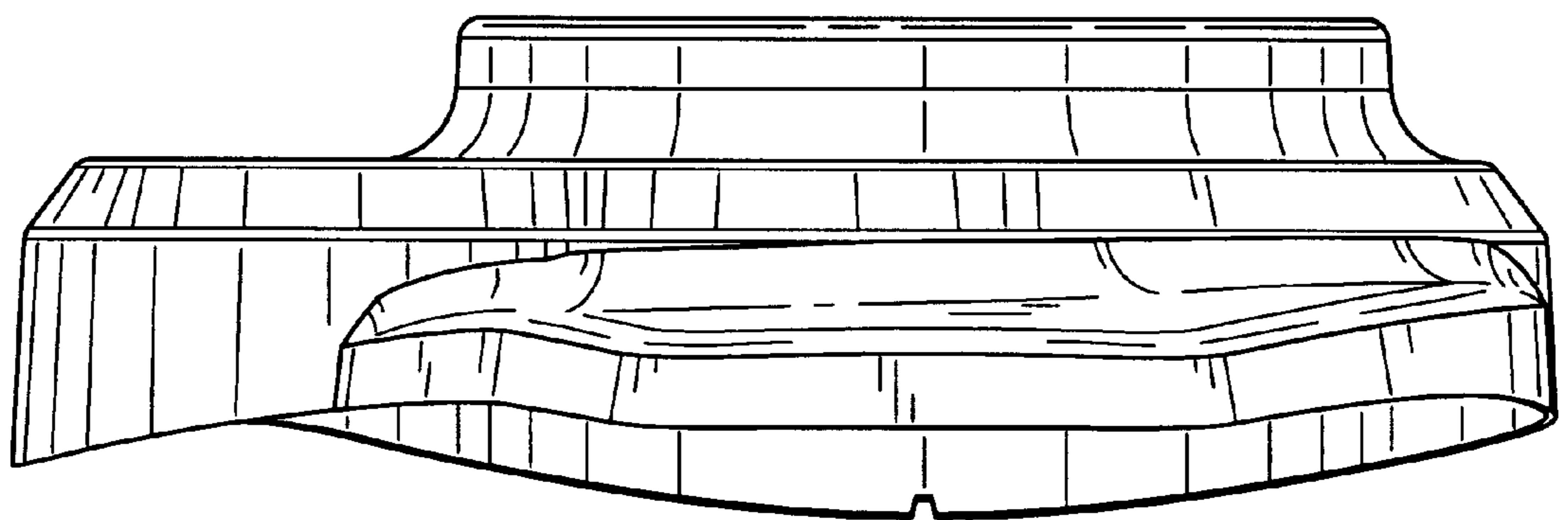


FIG. 5

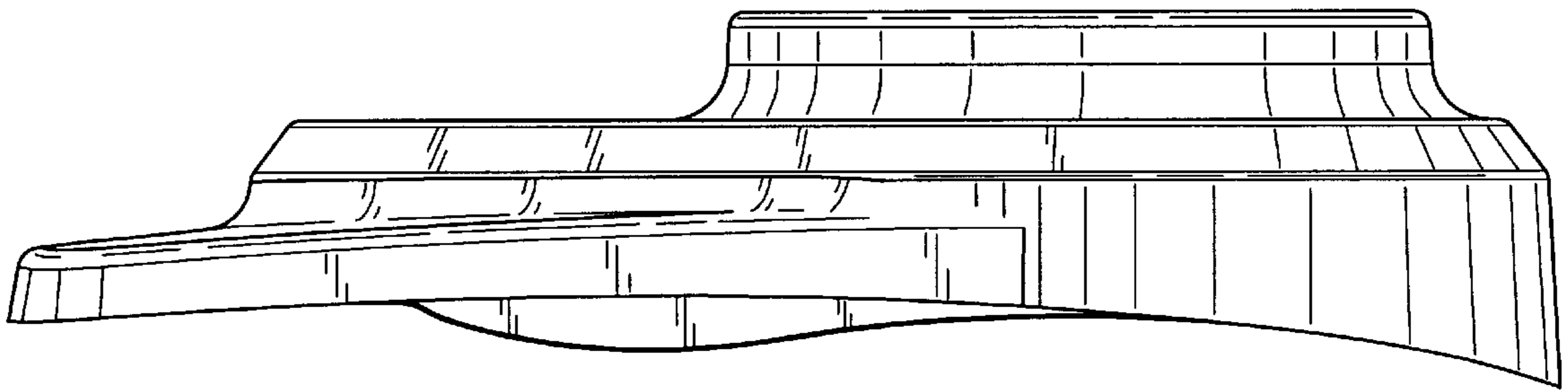


FIG. 6

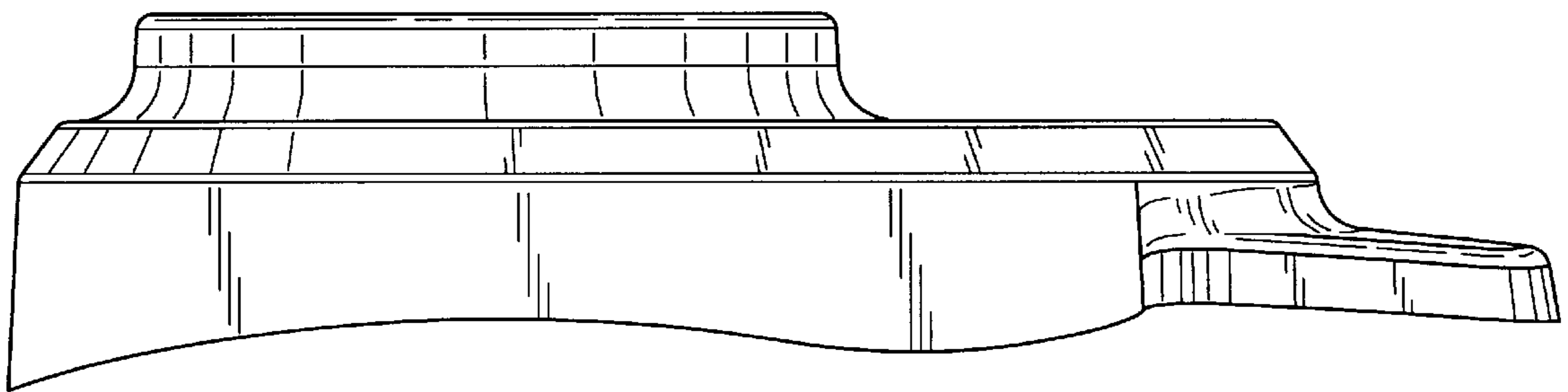


FIG. 7