



US00D412138S

# United States Patent [19]

Triarsi et al.

[11] Patent Number: **Des. 412,138**

[45] Date of Patent: **\*\* Jul. 20, 1999**

[54] **BODY-SHELL DESIGN FOR A RACING GO-CART VEHICLE**

[75] Inventors: **Onofrio Triarsi, Elizabeth, N.J.; Isaia Fiocco, Paruzzaro, Italy**

[73] Assignee: **Challenge Karts U.S.A., Inc., Elizabeth, N.J.**

[\*\*] Term: **14 Years**

[21] Appl. No.: **29/091,386**

[22] Filed: **Jul. 29, 1998**

[51] **LOC (6) Cl.** ..... **12-08**

[52] **U.S. Cl.** ..... **D12/88**

[58] **Field of Search** ..... D12/88, 86, 90-92; D21/423, 433; 296/185, 186, 180.1

### [56] **References Cited**

#### U.S. PATENT DOCUMENTS

- D. 217,599 5/1970 Abarth ..... D12/92
- D. 275,940 10/1984 Ogibrie ..... D12/88

- D. 282,729 2/1986 Lunn ..... D12/88
- D. 331,731 12/1992 Campbell et al. .... D12/92
- D. 365,782 1/1996 Reynard et al. .... D12/88
- D. 394,829 6/1998 Hubbscj et al. .... D12/92

*Primary Examiner*—Melody N. Brown

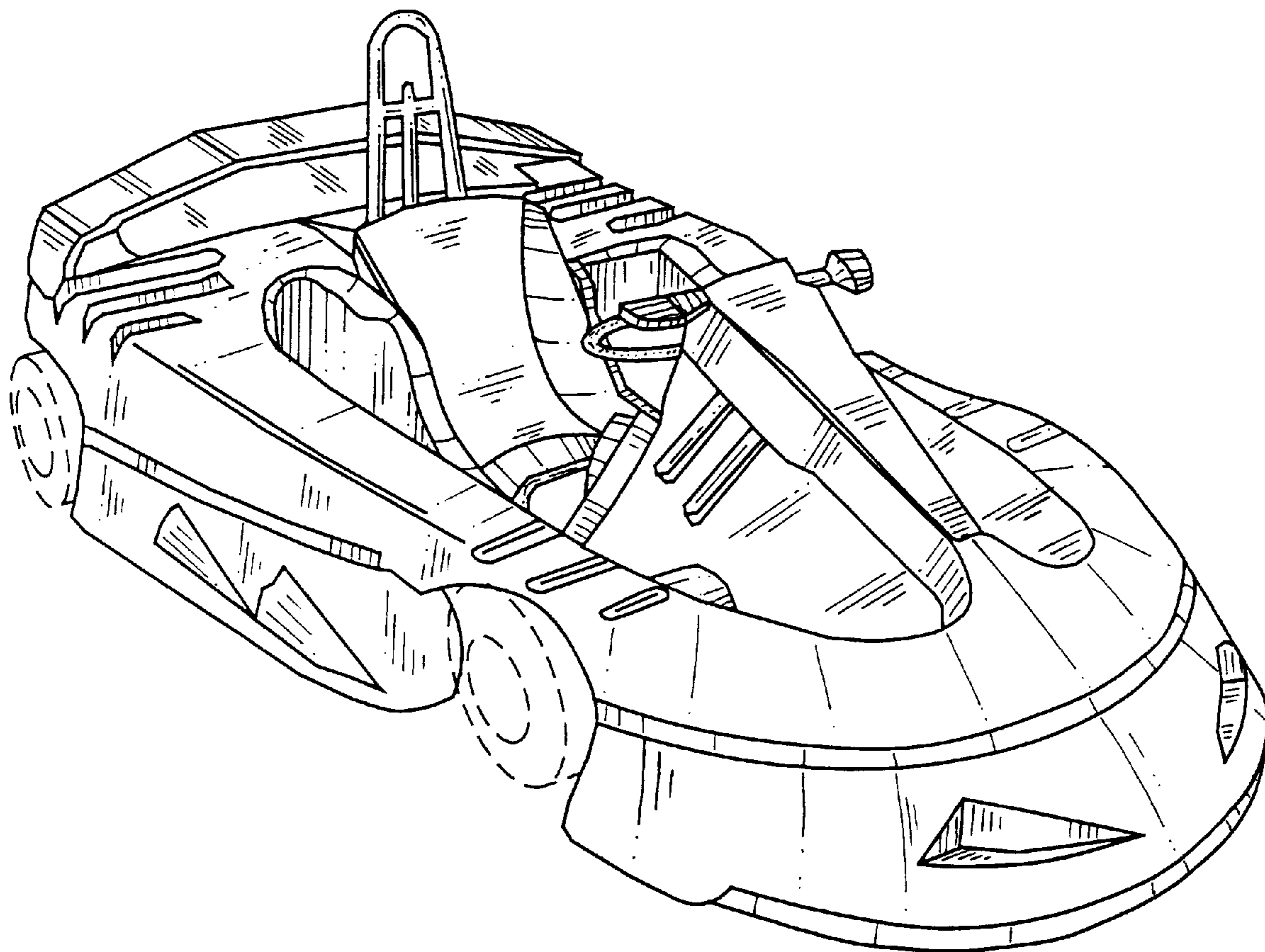
### [57] **CLAIM**

The ornamental design for a body-shell design for a racing go-cart vehicle, as shown and described.

### **DESCRIPTION**

FIG. 1 is a perspective view of a body-shell design for a racing go-cart vehicle showing our new design; FIG. 2 is a front elevation view thereof; FIG. 3 is a rear elevation view thereof; FIG. 4 is a right side view, the left side being a mirror image thereof; and, FIG. 5 is a top plan view thereof. The wheels shown in broken lines in FIGS. 1—4 are shown for illustrative purposes only and form no part of the claimed design.

**1 Claim, 5 Drawing Sheets**



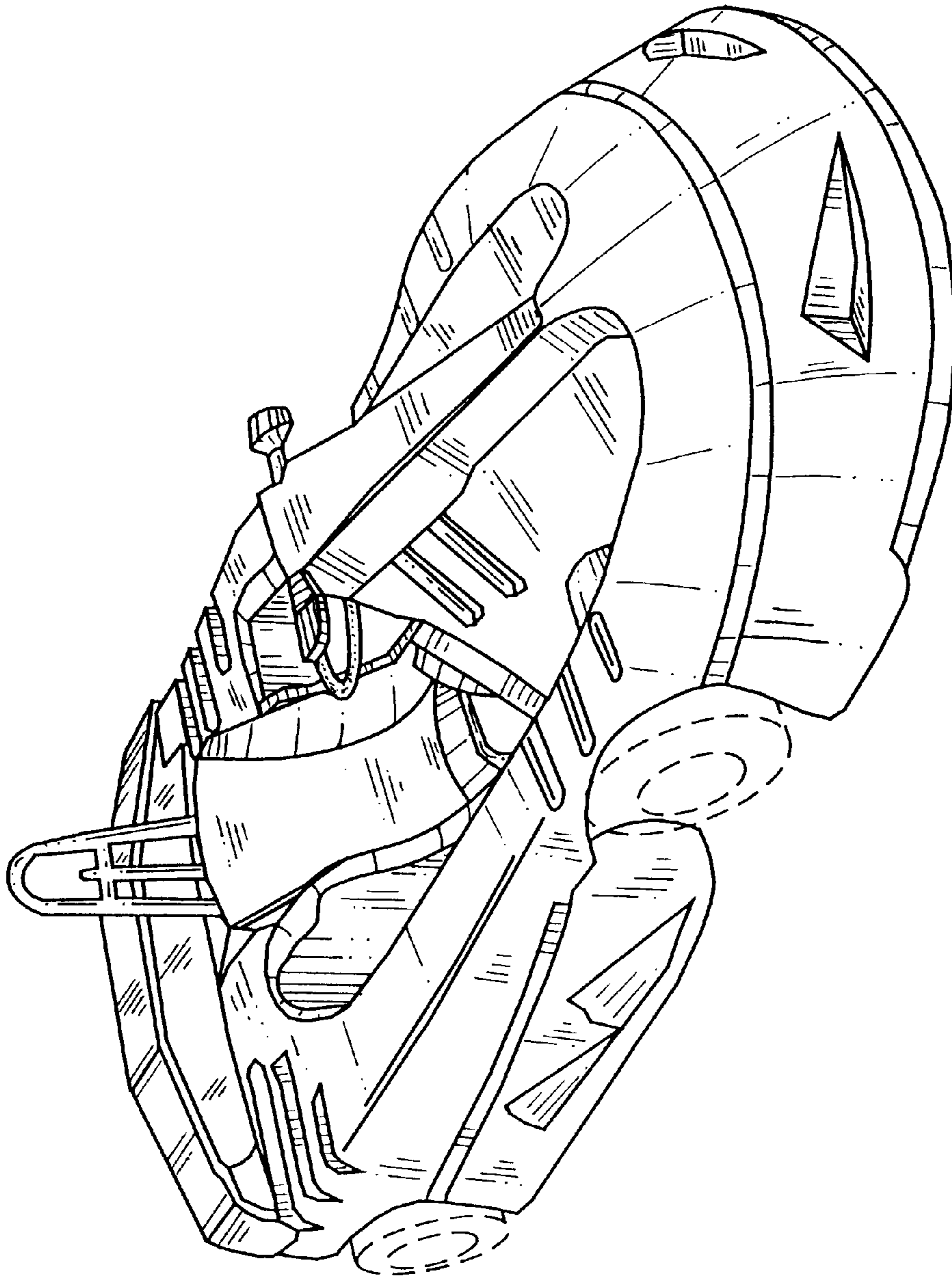


FIG. 1

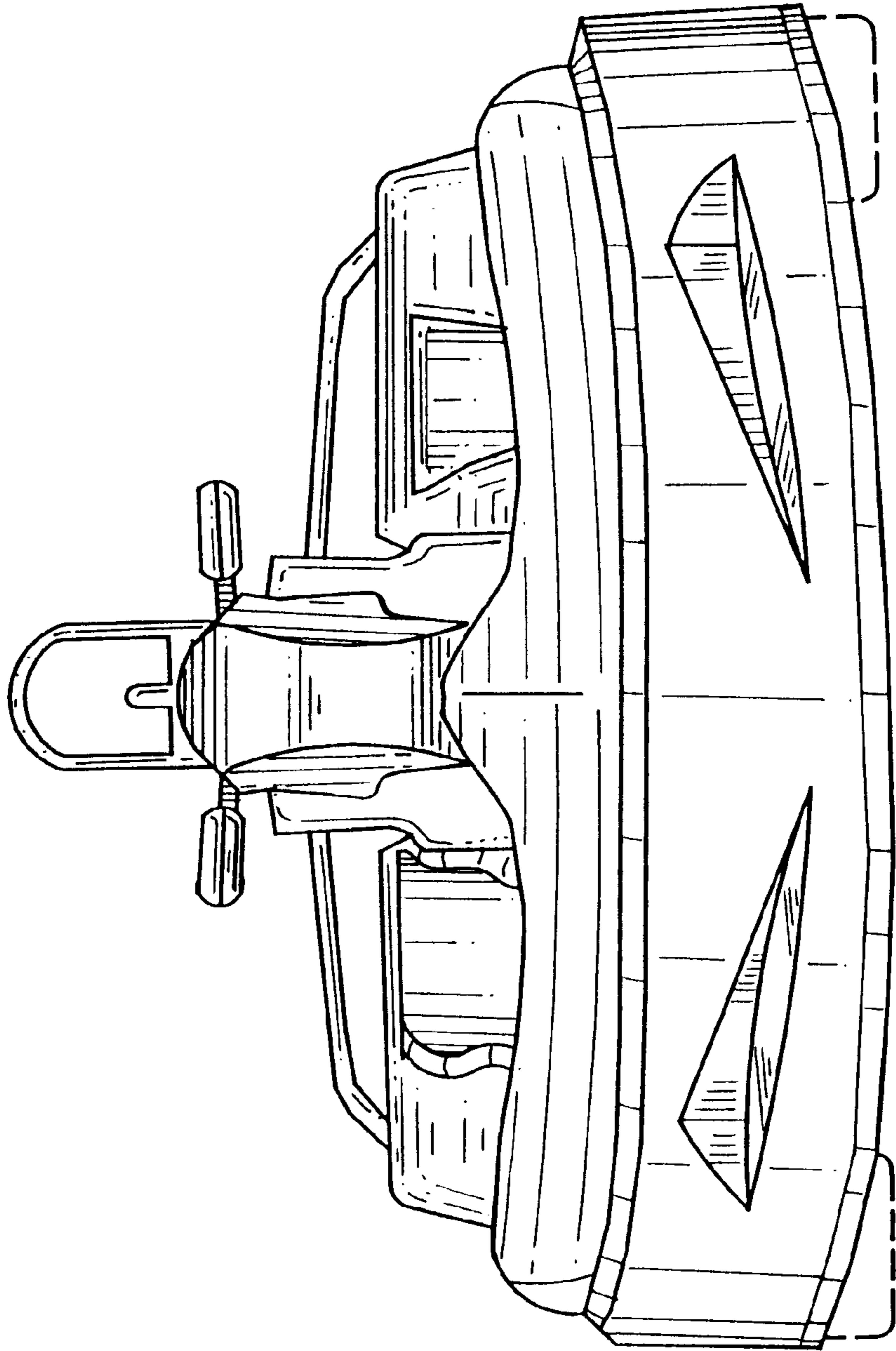


FIG. 2

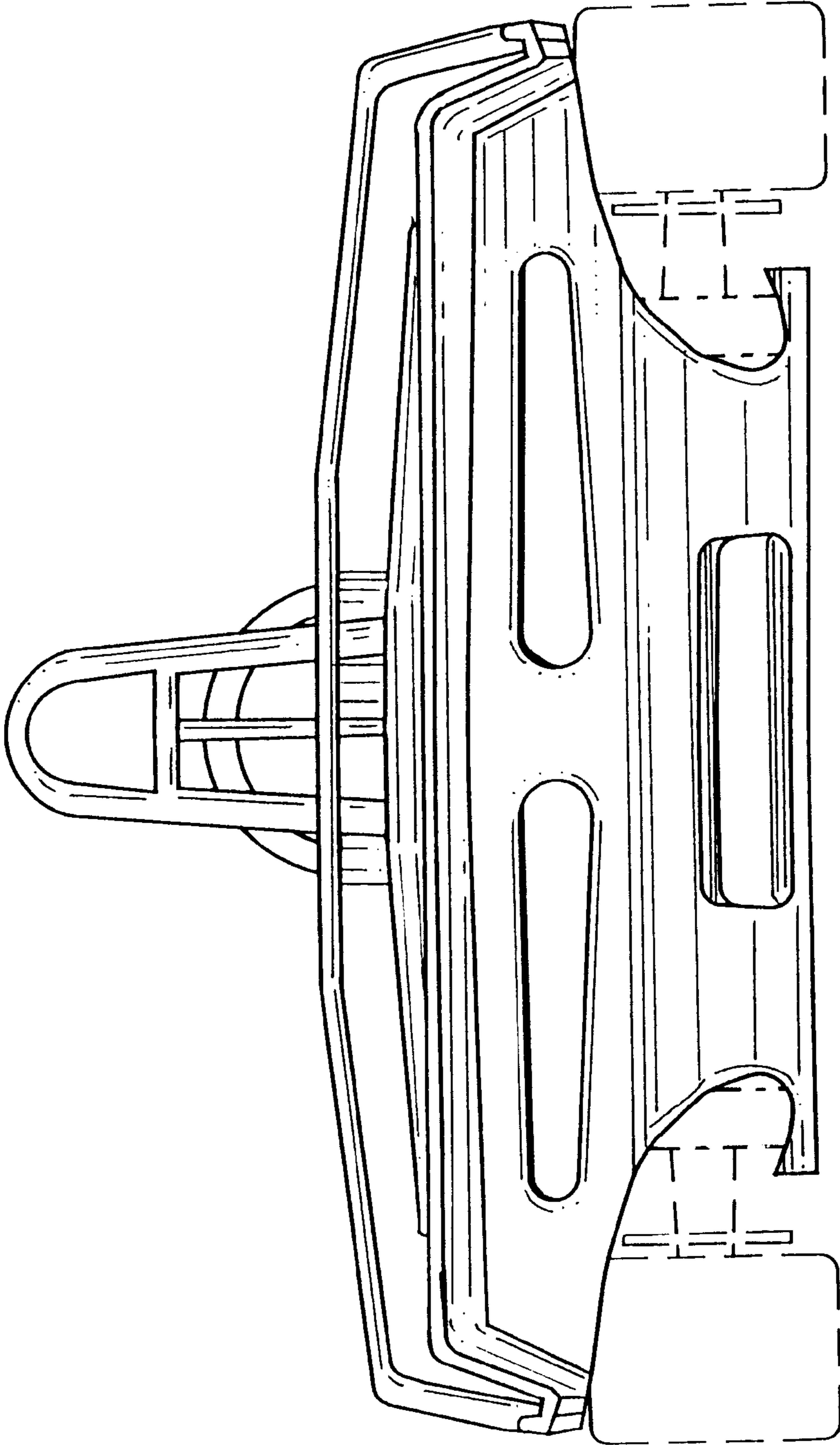


FIG. 3

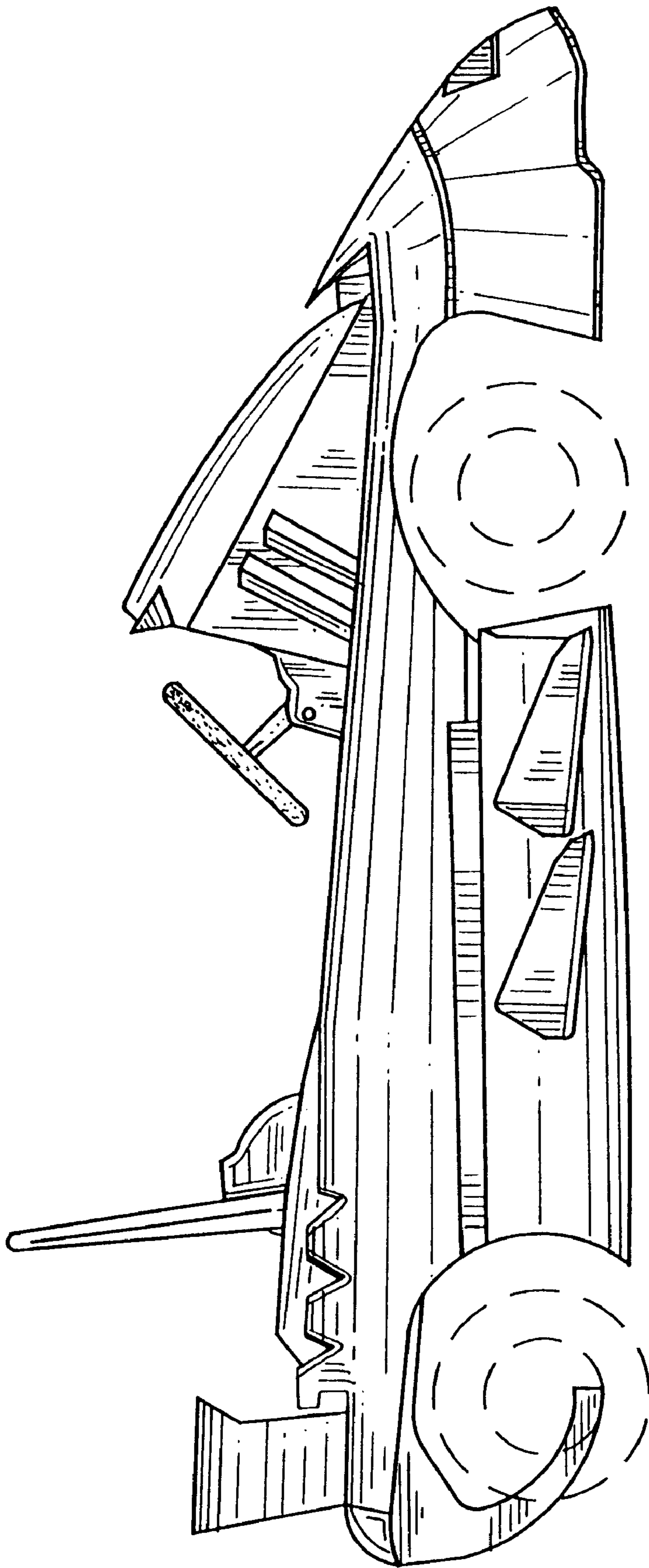


FIG. 4

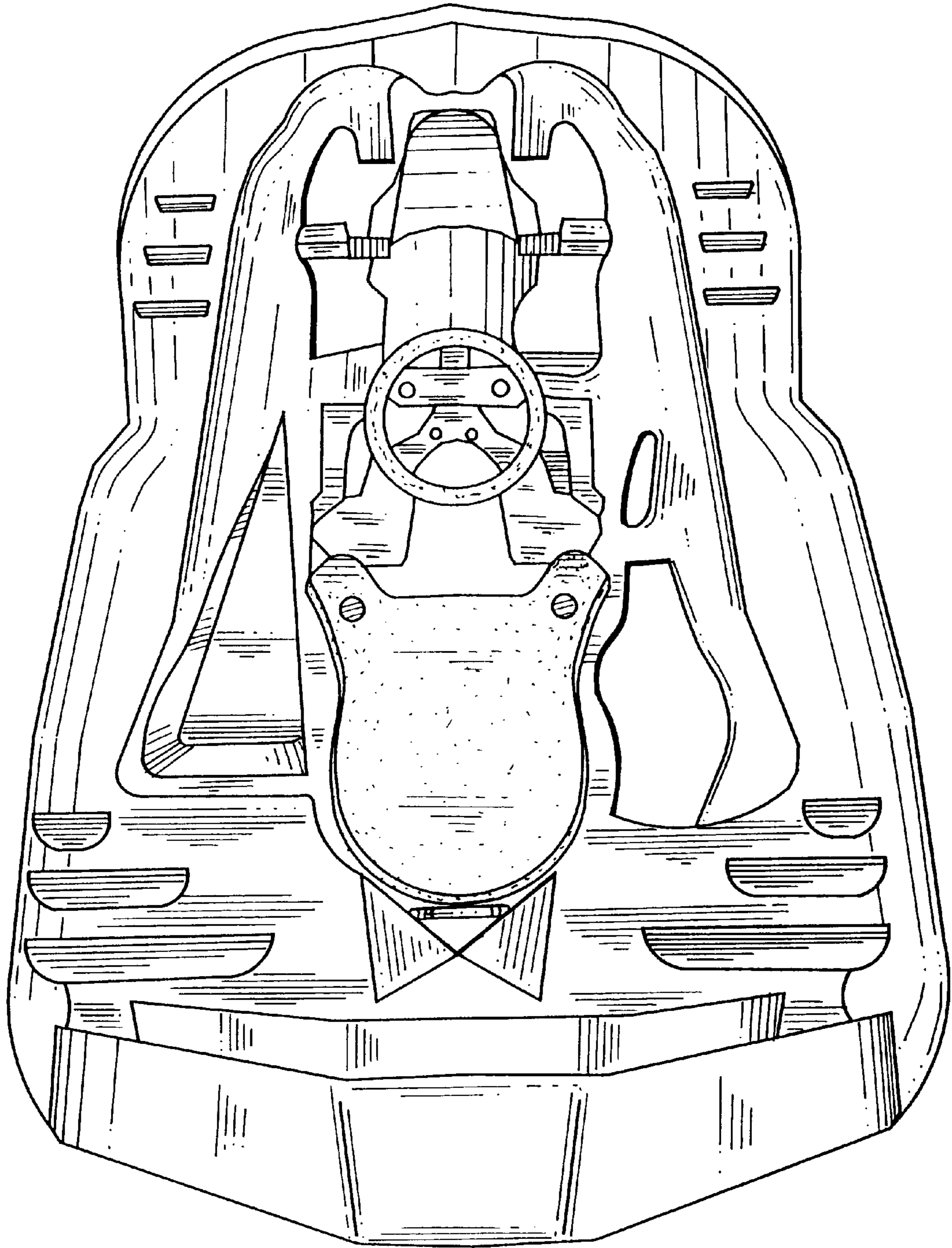


FIG. 5