



US00D412132S

United States Patent [19]

Aylward et al.

[11] Patent Number: Des. 412,132

[45] Date of Patent: ** Jul. 20, 1999

[54] WARNING BEACON

[75] Inventors: **David R. Aylward**, Windsor; **Graeme Bullock**; **Daphne Flynn**, both of Mount Waverley, all of Australia

[73] Assignee: **Emthech Safety Products Pty Limited**, Victoria, Australia

[**] Term: 14 Years

[21] Appl. No.: 29/031,152

[22] Filed: Nov. 18, 1994

Related U.S. Application Data

[30] Foreign Application Priority Data

May 18, 1994 [AU] Australia 1546/94

[51] LOC (6) Cl. 10-05

[52] U.S. Cl. D10/114; D10/114

[58] Field of Search D26/37-50; D10/109, D10/111, 114, 115; 362/157, 158, 183, 184, 185, 186, 187, 188, 189, 190-208

[56] References Cited

U.S. PATENT DOCUMENTS

D. 235,797	7/1975	Friedberg	D10/114
D. 274,317	6/1984	Nelson	D10/114
D. 276,658	12/1984	Yuen	D10/114
D. 318,817	8/1991	Sinrod	D10/114
D. 352,915	11/1994	Wang	D10/114

Primary Examiner—Marcus A. Jackson
Attorney, Agent, or Firm—Loeb & Loeb LLP

[57] CLAIM

The design for a warning beacon, as shown and described.

DESCRIPTION

FIG. 1 is a perspective view showing top, front and right side of the warning beacon;

FIG. 2 is a perspective view showing bottom, back and left side of the warning beacon;

FIG. 3 is a bottom view of the warning beacon of FIG. 1; and,

FIG. 4 is a right side view of the warning beacon of FIG. 1.

1 Claim, 2 Drawing Sheets

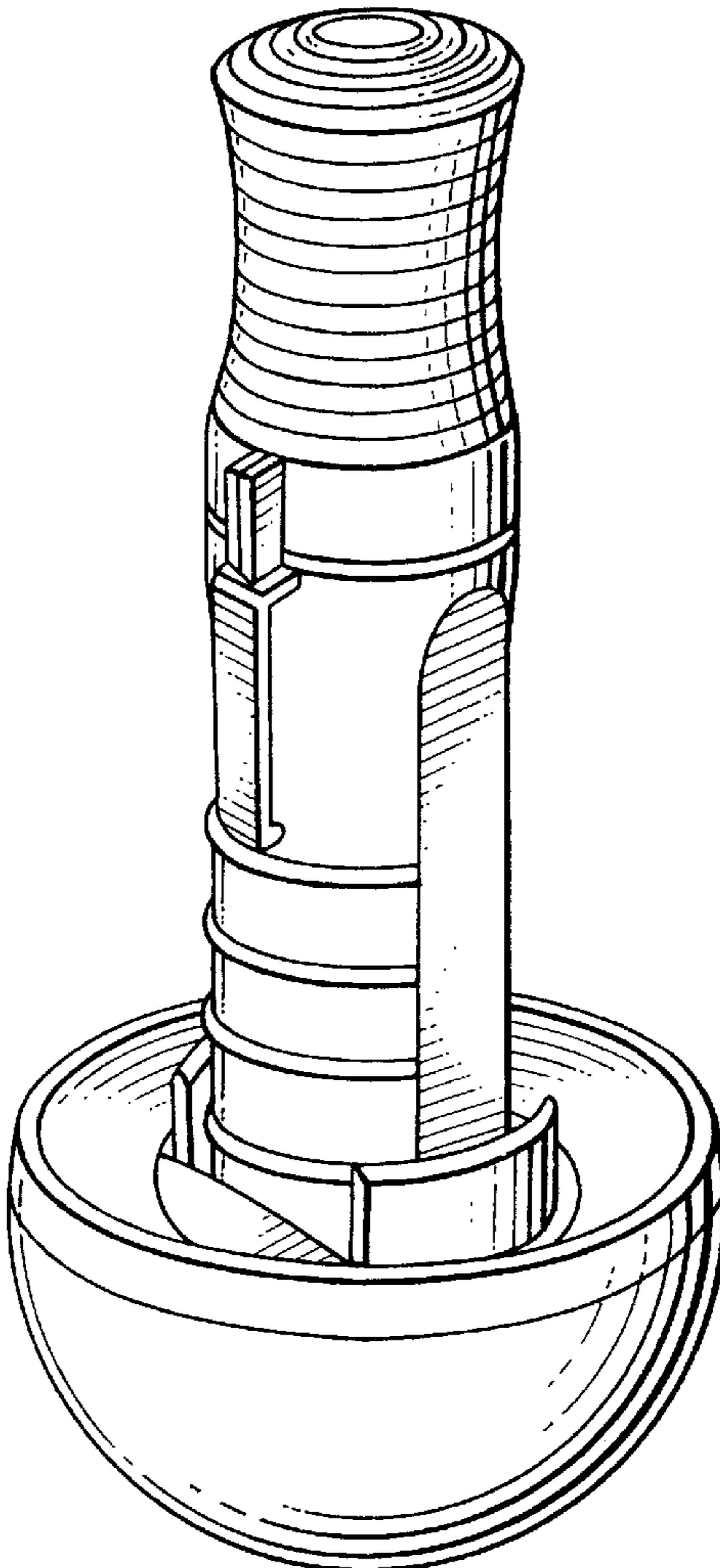


FIG. 2

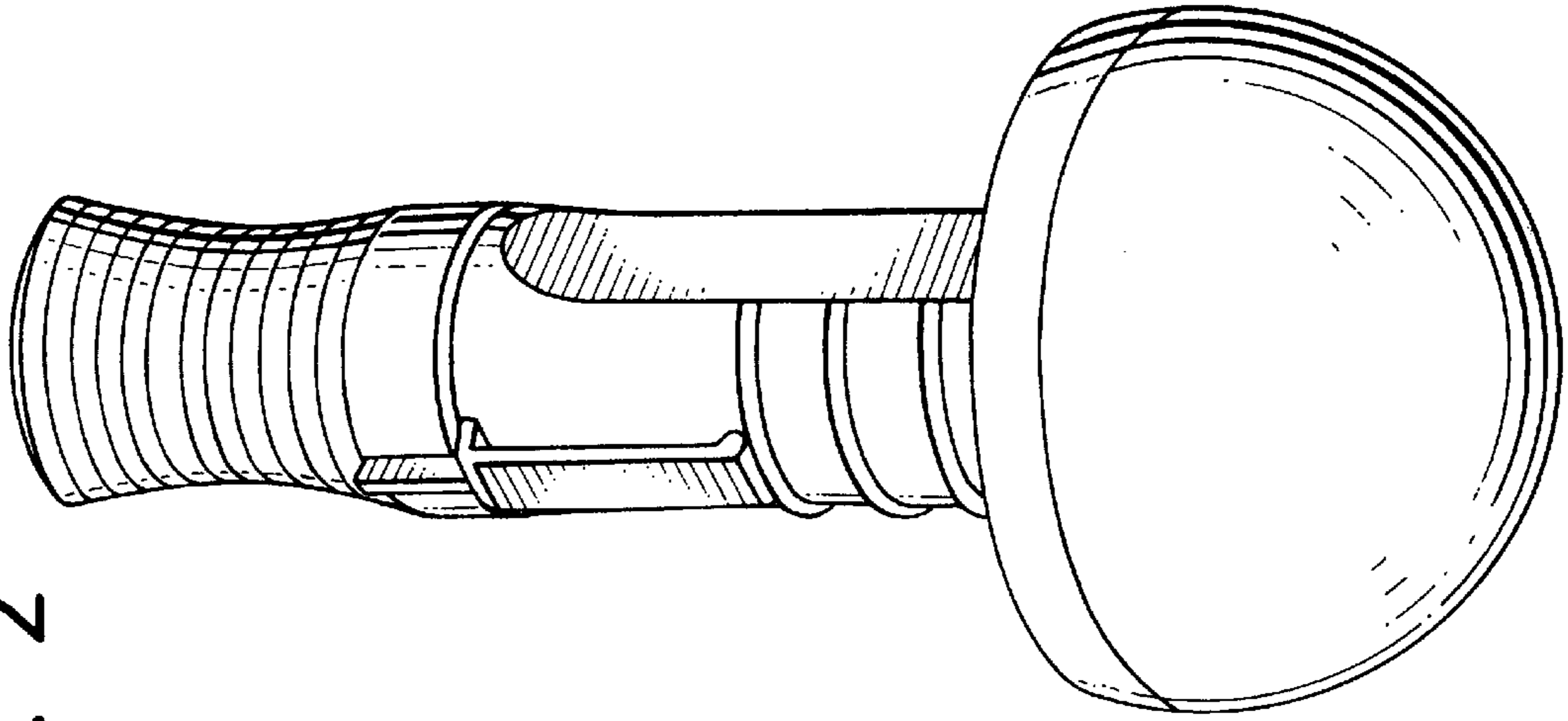


FIG. 1

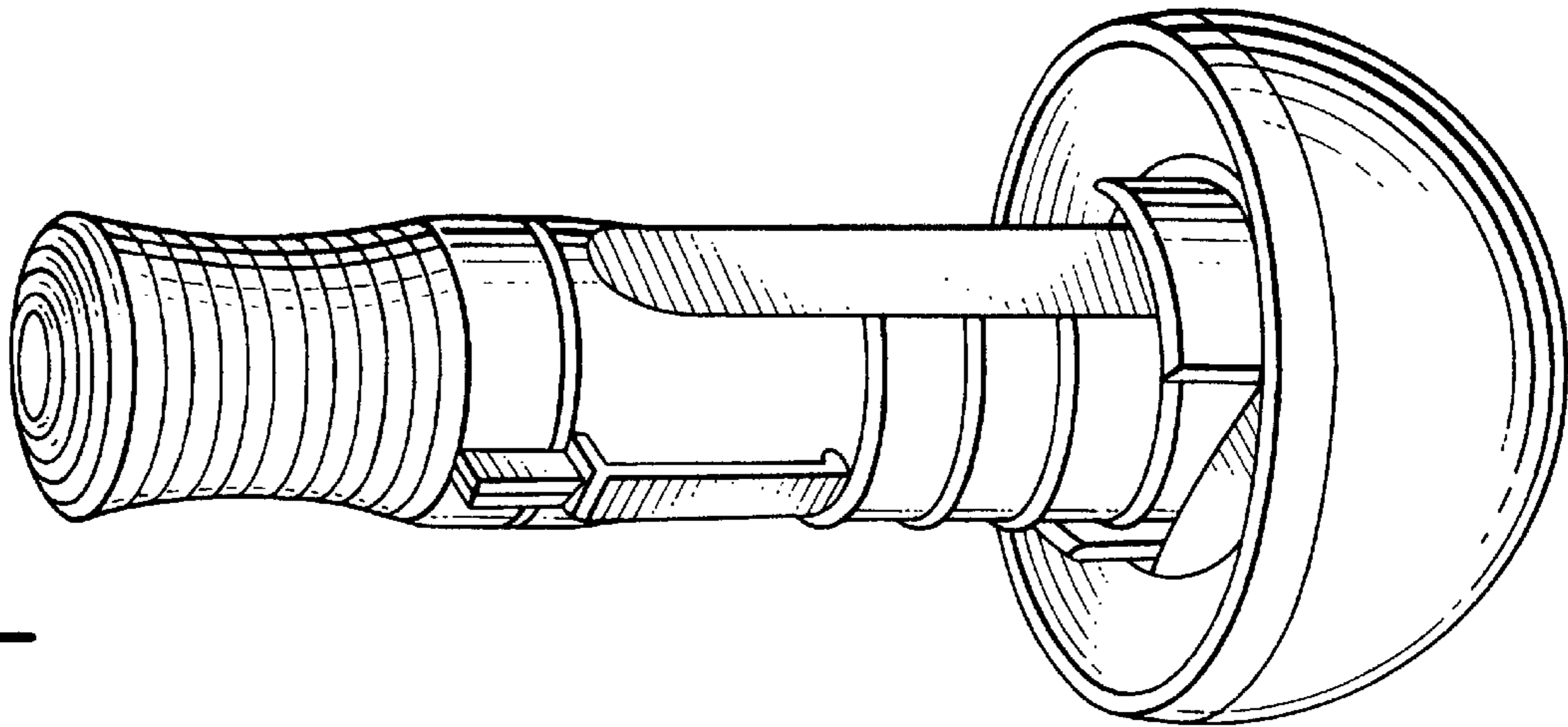


FIG. 3

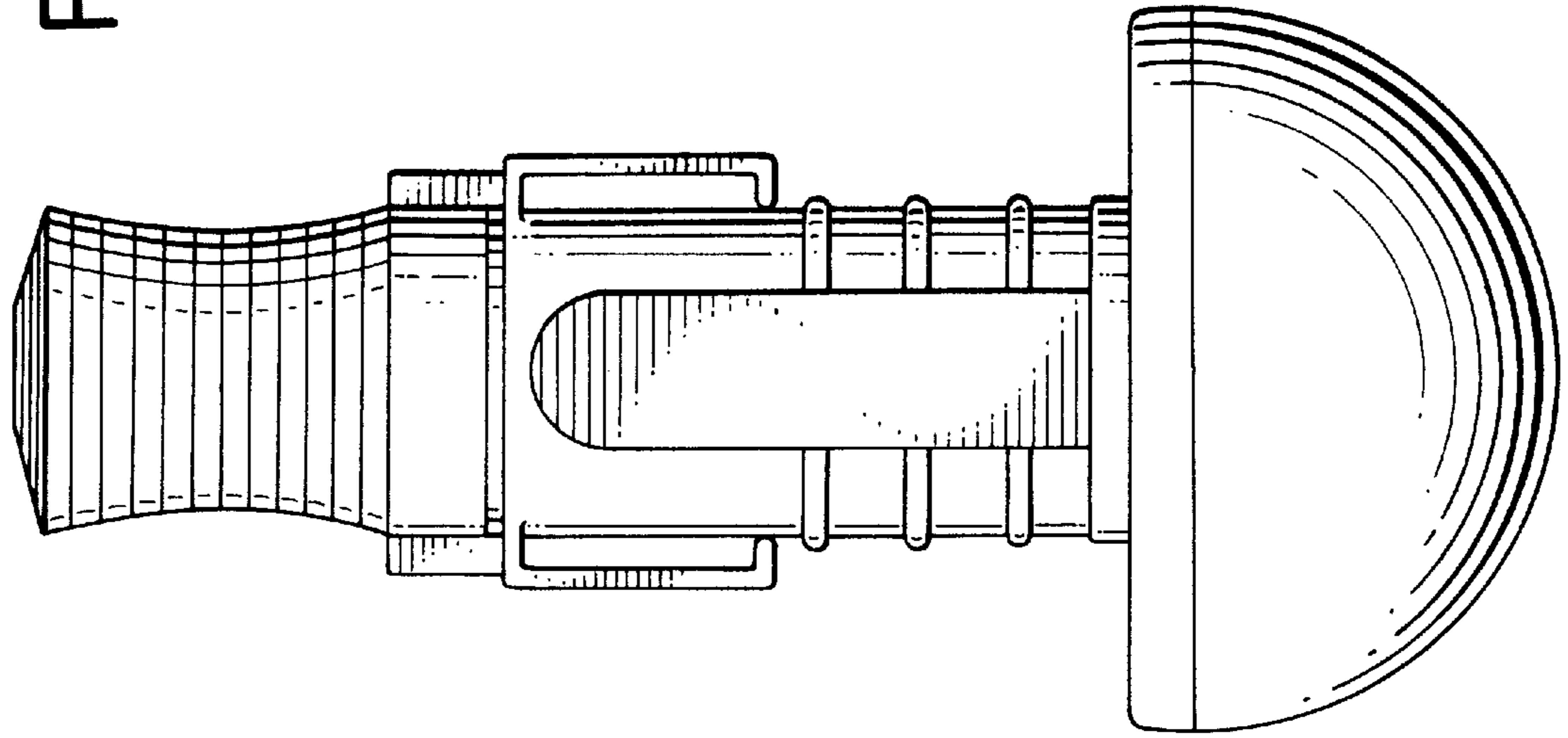


FIG. 4

