



US00D412130S

United States Patent [19] Alaghband

[11] **Patent Number: Des. 412,130**

[45] **Date of Patent: ** Jul. 20, 1999**

[54] **COMBINED PILL CONTAINER AND ALARM**

Primary Examiner—Marcus A. Jackson

[76] Inventor: **Fariba A Alaghband**, 17 Greenaway Gardens Hampstead, London NW3 7DH, United Kingdom

[57] **CLAIM**

The ornamental design for a combined pill container and alarm, as shown.

[**] Term: **14 Years**

DESCRIPTION

[21] Appl. No.: **29/095,158**

FIG. 1 is a front elevational view of a combined pill container and alarm of the present invention;

[22] Filed: **Oct. 15, 1998**

FIG. 2 is a back elevational view of a combined pill container and alarm of FIG. 1;

[51] **LOC (6) Cl. 10-05**

[52] **U.S. Cl. D10/106; D20/18**

FIG. 3 is a left side elevational view of a combined pill container and alarm of FIG. 1;

[58] **Field of Search D10/104, 106, D10/116, 121, 1-6; 340/540, 571, 572, 573, 689; D20/10, 18**

FIG. 4 is a right side elevational view of a combined pill container and alarm of FIG. 1;

[56] **References Cited**

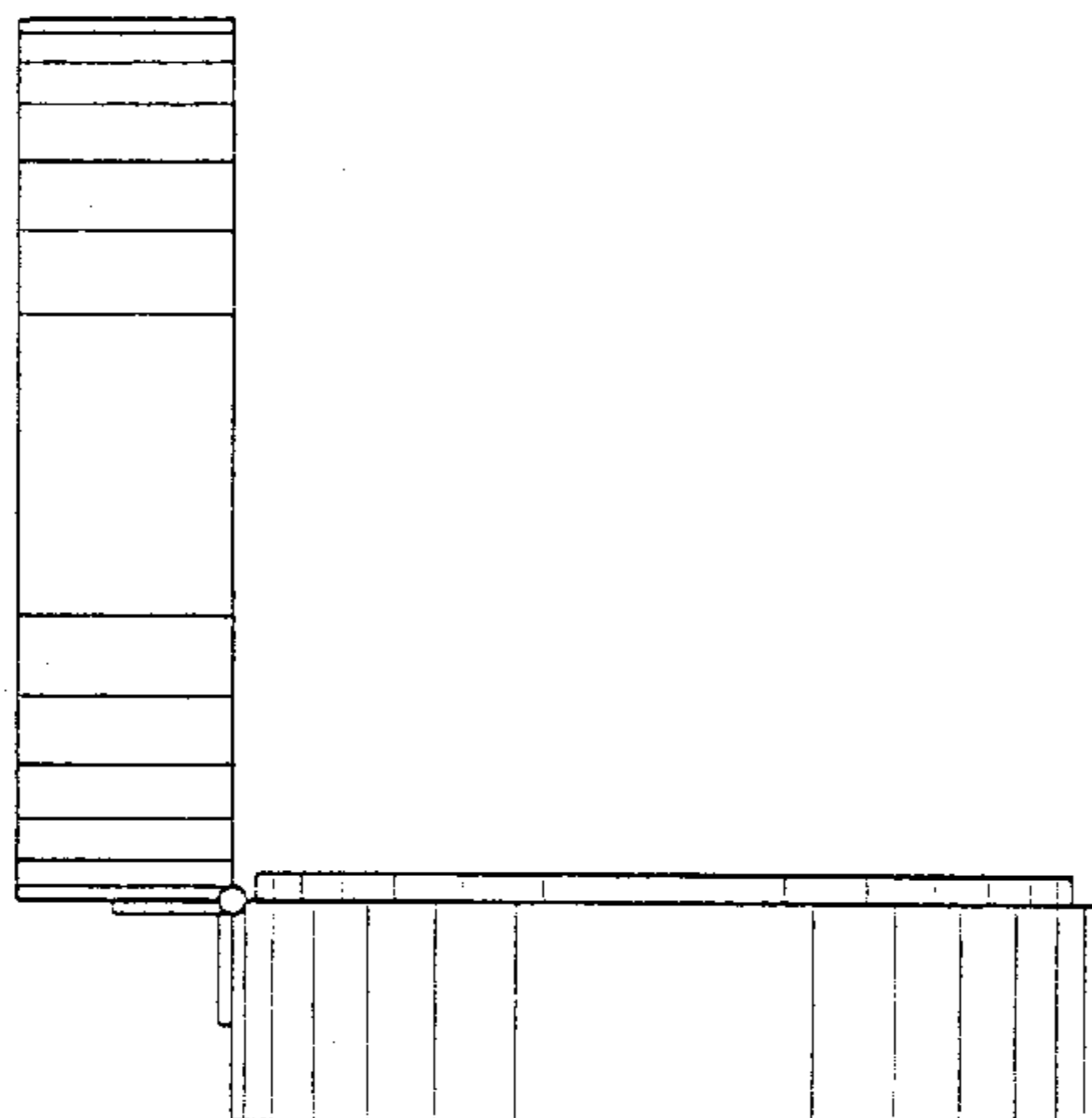
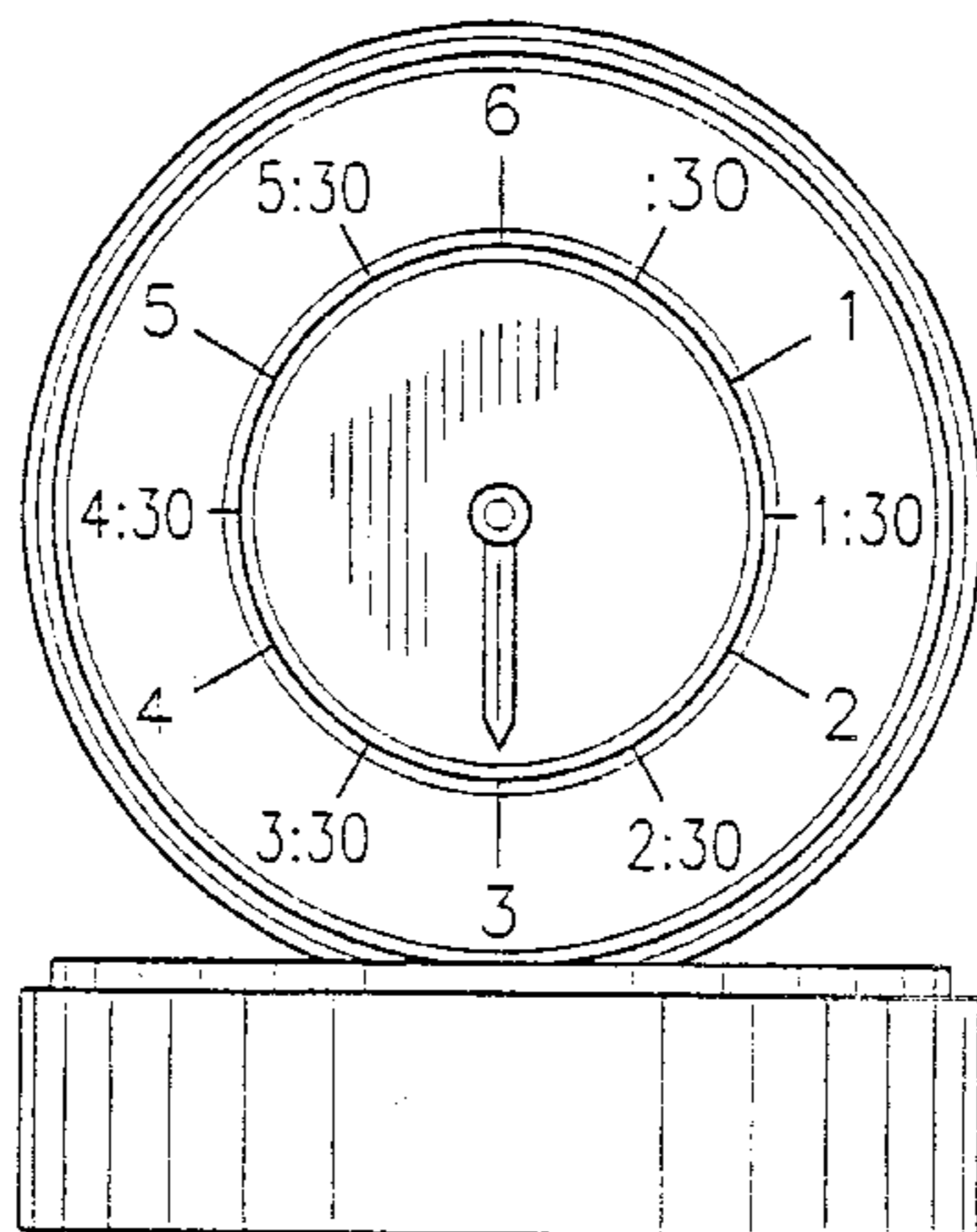
FIG. 5 is a top plan view of a combined container and alarm of FIG. 1; and,

U.S. PATENT DOCUMENTS

FIG. 6 is a bottom plan view of a combined pill container and alarm of FIG. 1.

D. 373,964	9/1996	Alexander	D10/106
D. 391,183	2/1998	Campbell et al.	D10/104
D. 402,208	12/1998	Jones	D10/106

1 Claim, 3 Drawing Sheets



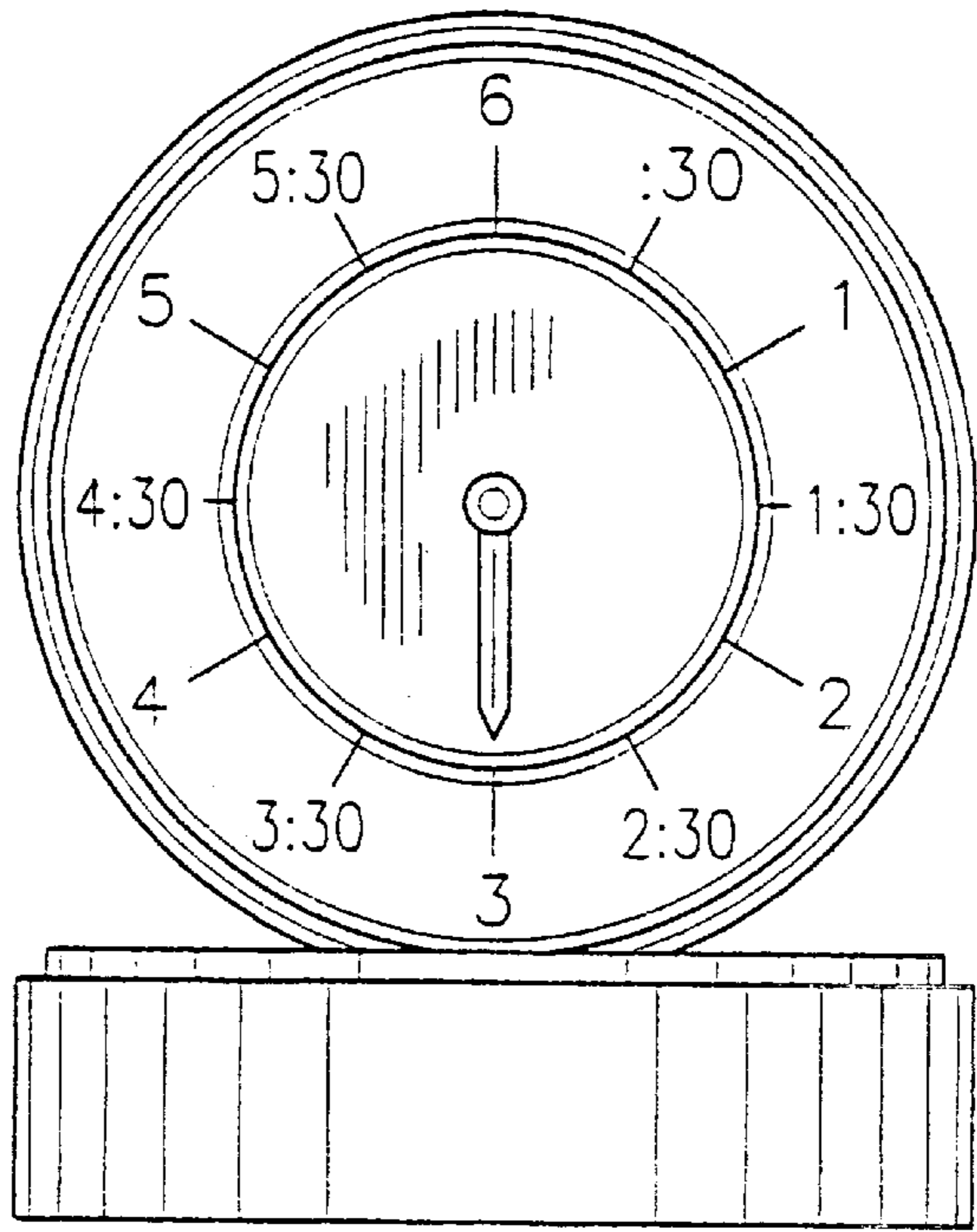


Fig. 1

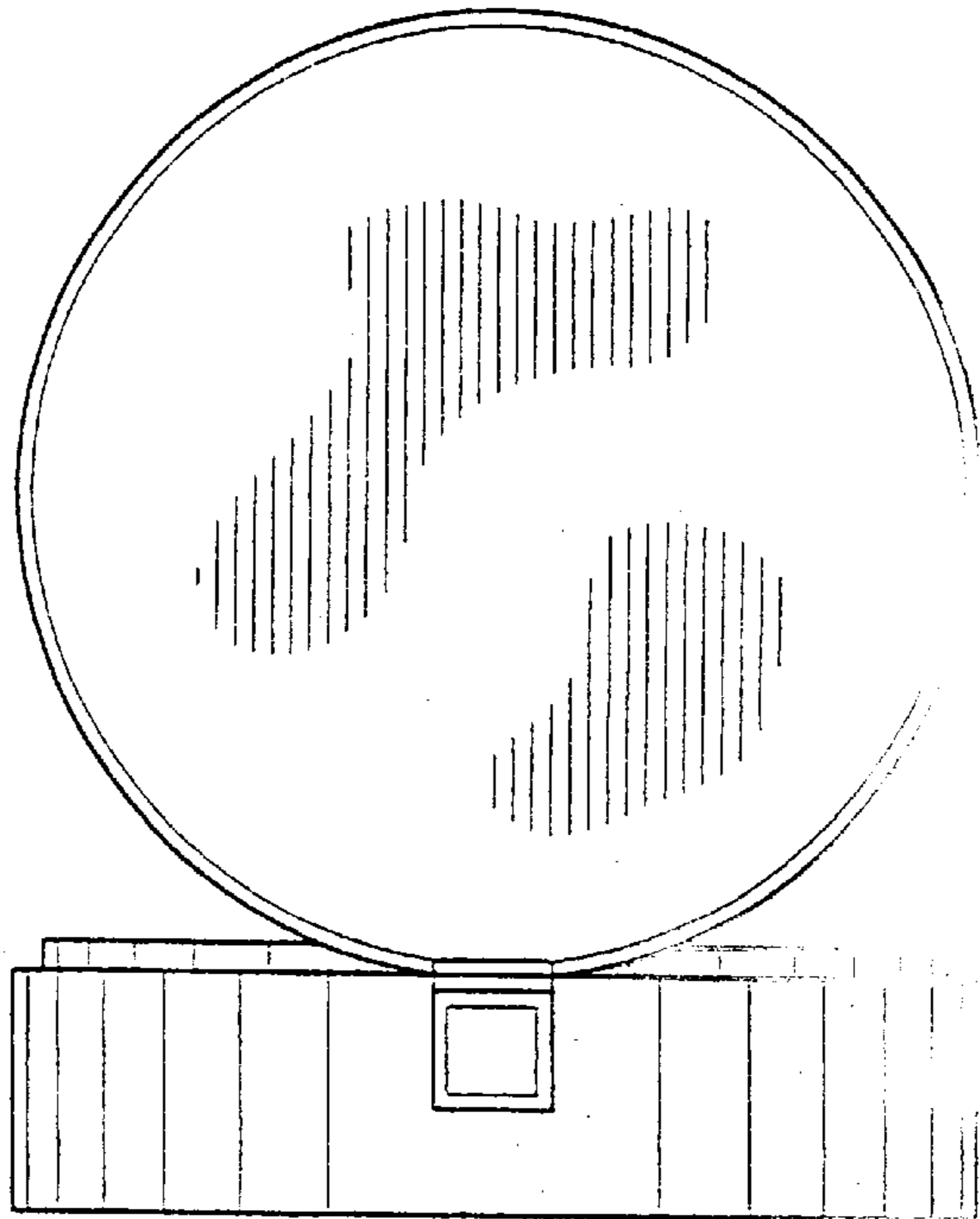


Fig. 2

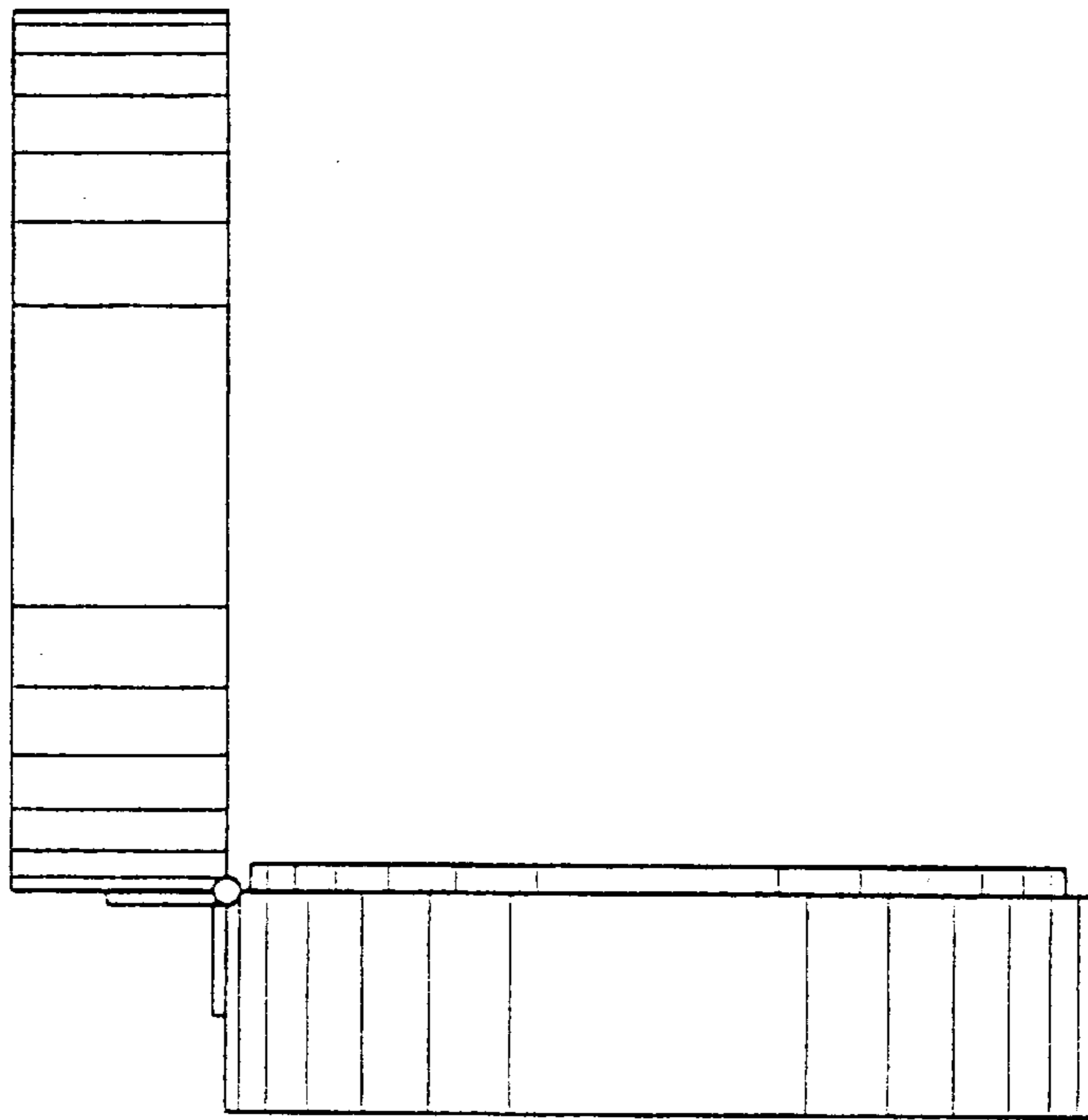


Fig. 3

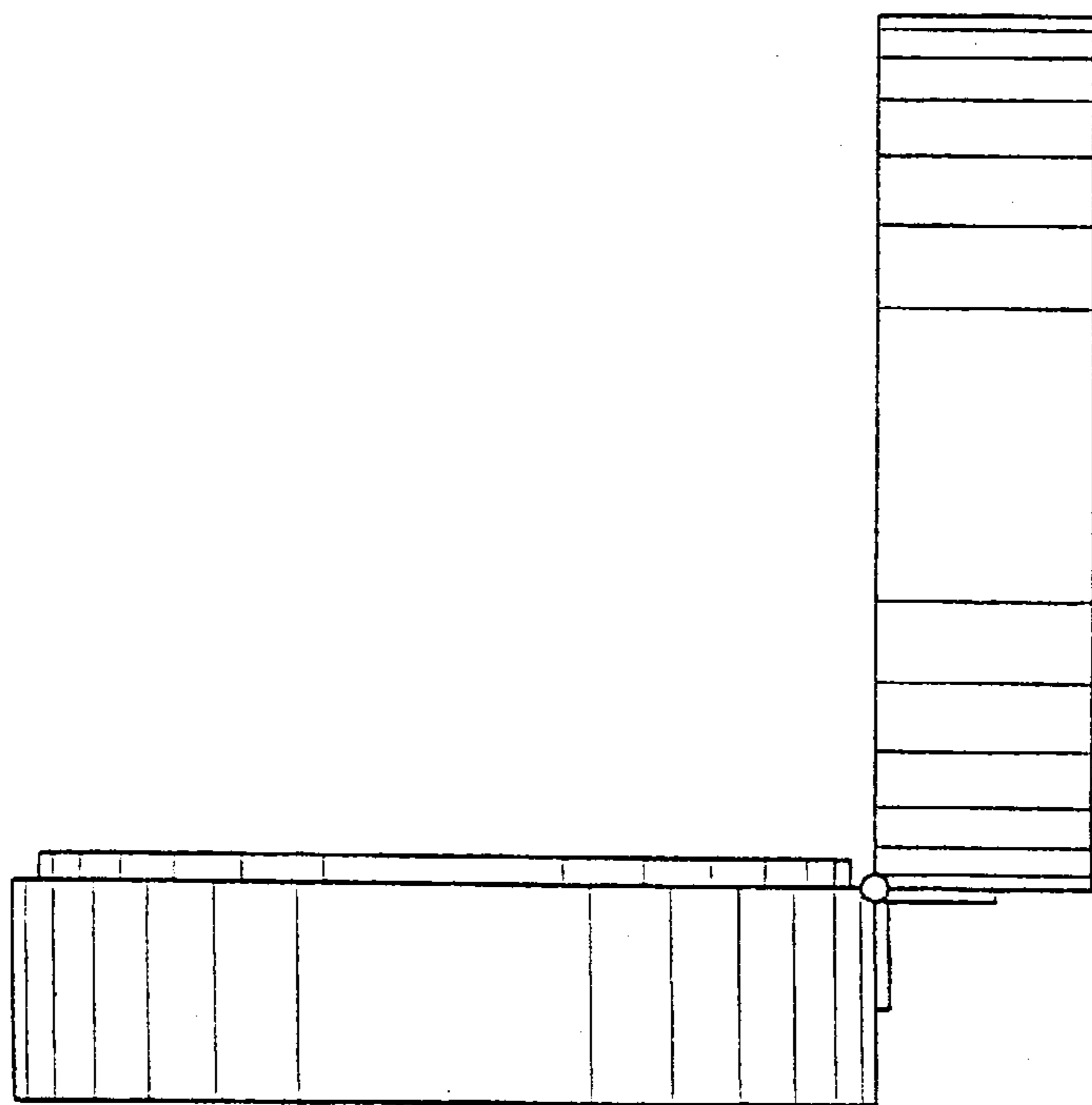


Fig. 4

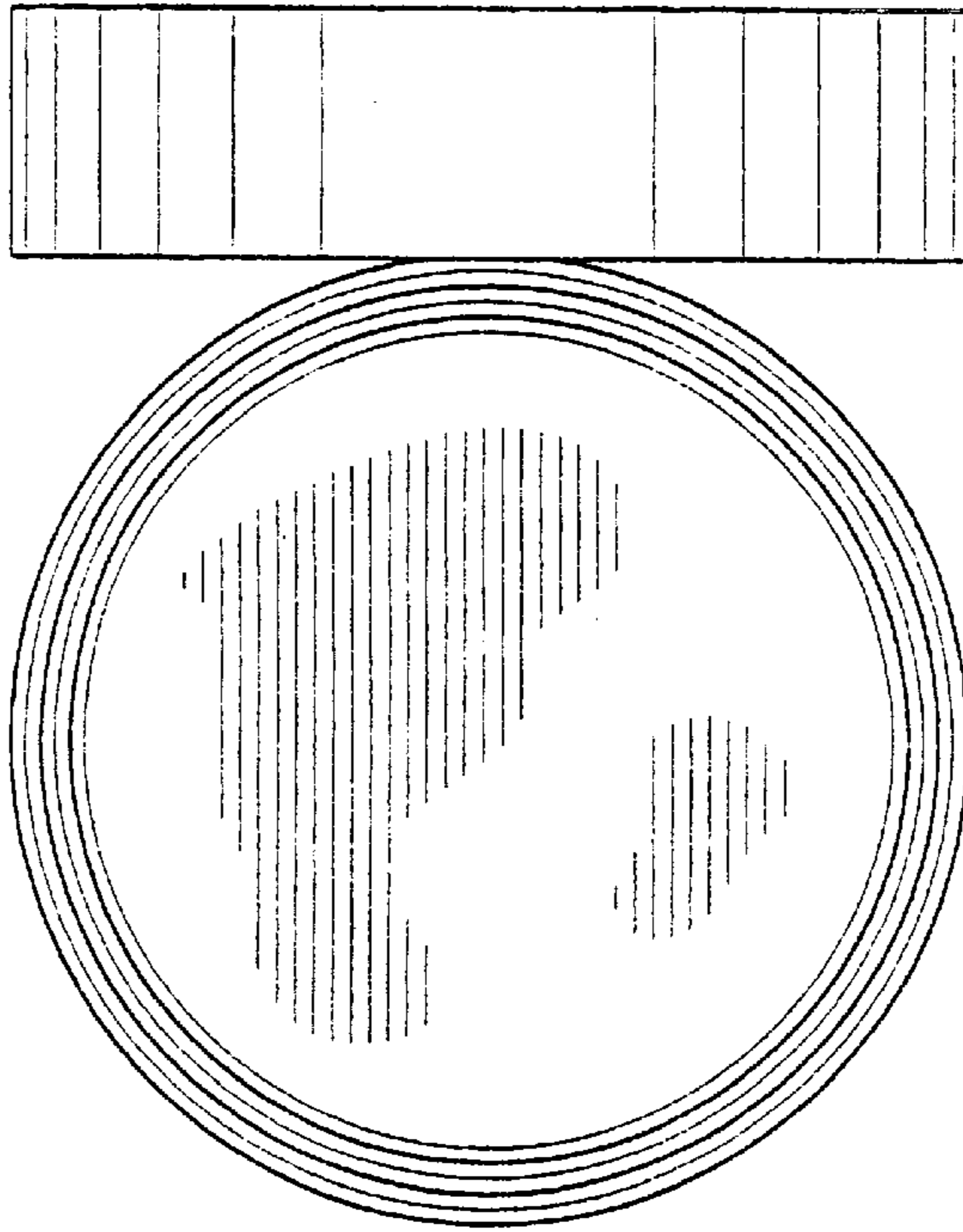


Fig. 5

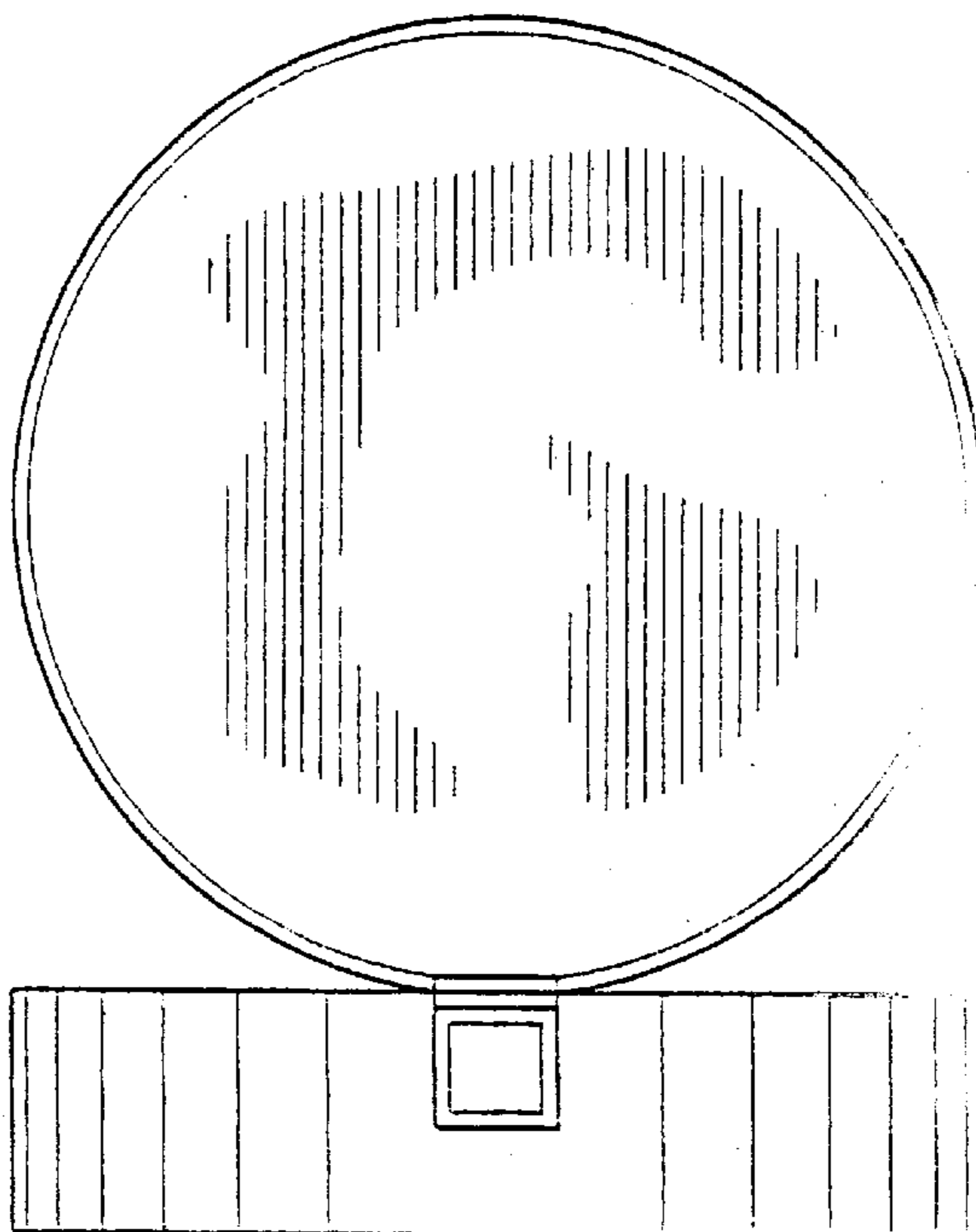


Fig. 6