



US00D412127S

United States Patent [19]
Blackman

[11] **Patent Number: Des. 412,127**
[45] **Date of Patent: ** Jul. 20, 1999**

[54] **POST LEVEL**

3,826,013 7/1974 Baher .
4,343,093 8/1982 Eadens .

[75] Inventor: **William Cecil Blackman**, Raleigh,
N.C.

Primary Examiner—Antoine Duval Davis
Attorney, Agent, or Firm—Burns, Doane, Swecker &
Mathis LLP

[73] Assignee: **Cooper Industries, Inc.**, Houston, Tex.

[**] Term: **14 Years**

[57] **CLAIM**

The ornamental design for a post level, as shown.

[21] Appl. No.: **29/092,125**

DESCRIPTION

[22] Filed: **Aug. 12, 1998**

FIG. 1 is a perspective view of a post level showing my new design;

[51] **LOC (6) Cl.** **10-04**

[52] **U.S. Cl.** **D10/69**

FIG. 2 is a left side view thereof;

[58] **Field of Search** D10/69; 33/347,
33/365-390

FIG. 3 is a right side view thereof;

FIG. 4 is a top view thereof;

FIG. 5 is a bottom view thereof;

FIG. 6 is a front view thereof; and,

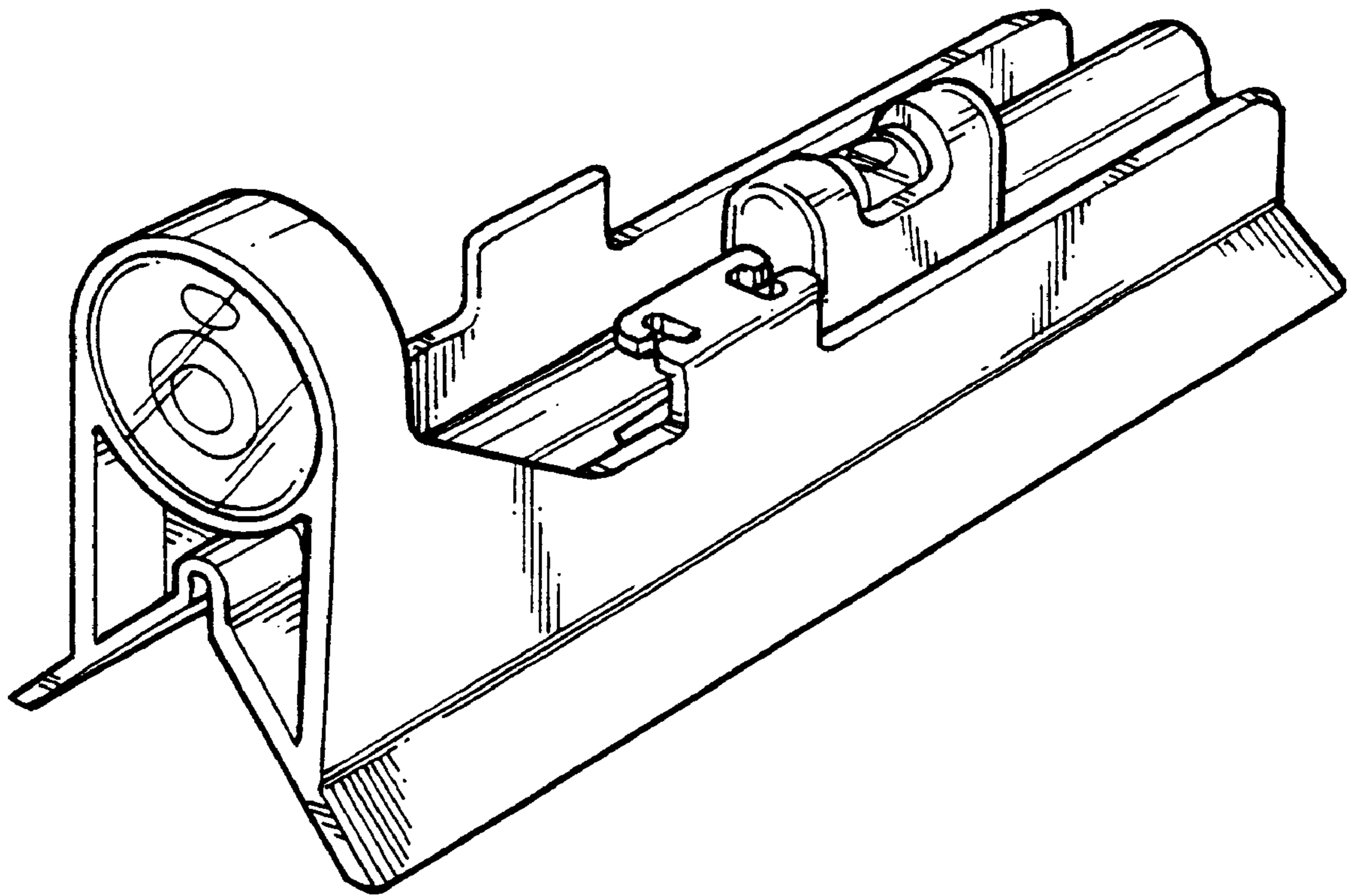
FIG. 7 is a rear view thereof.

[56] **References Cited**

U.S. PATENT DOCUMENTS

D. 356,047 3/1995 Owens et al. D10/69

1 Claim, 2 Drawing Sheets



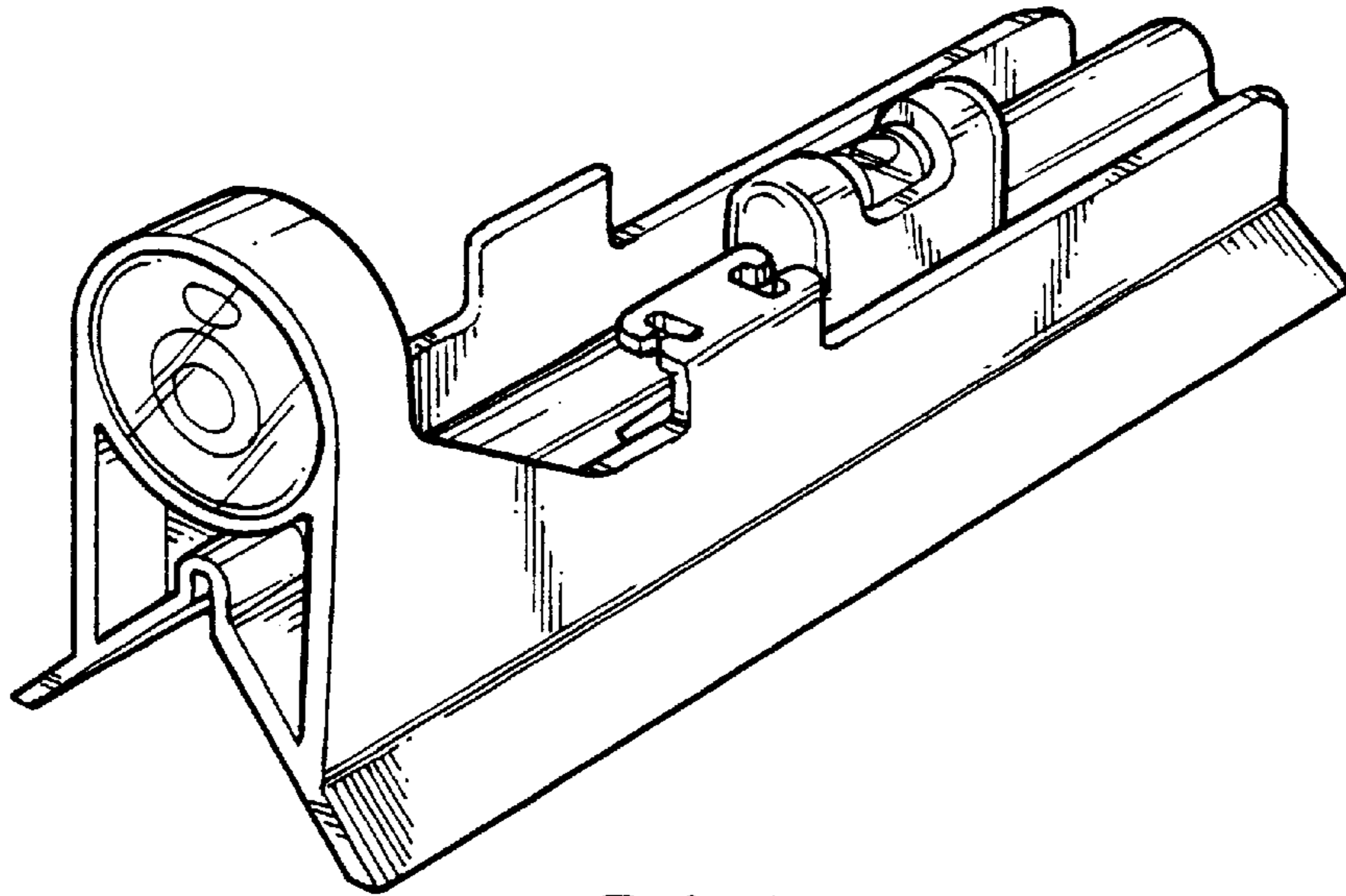


FIG. 1

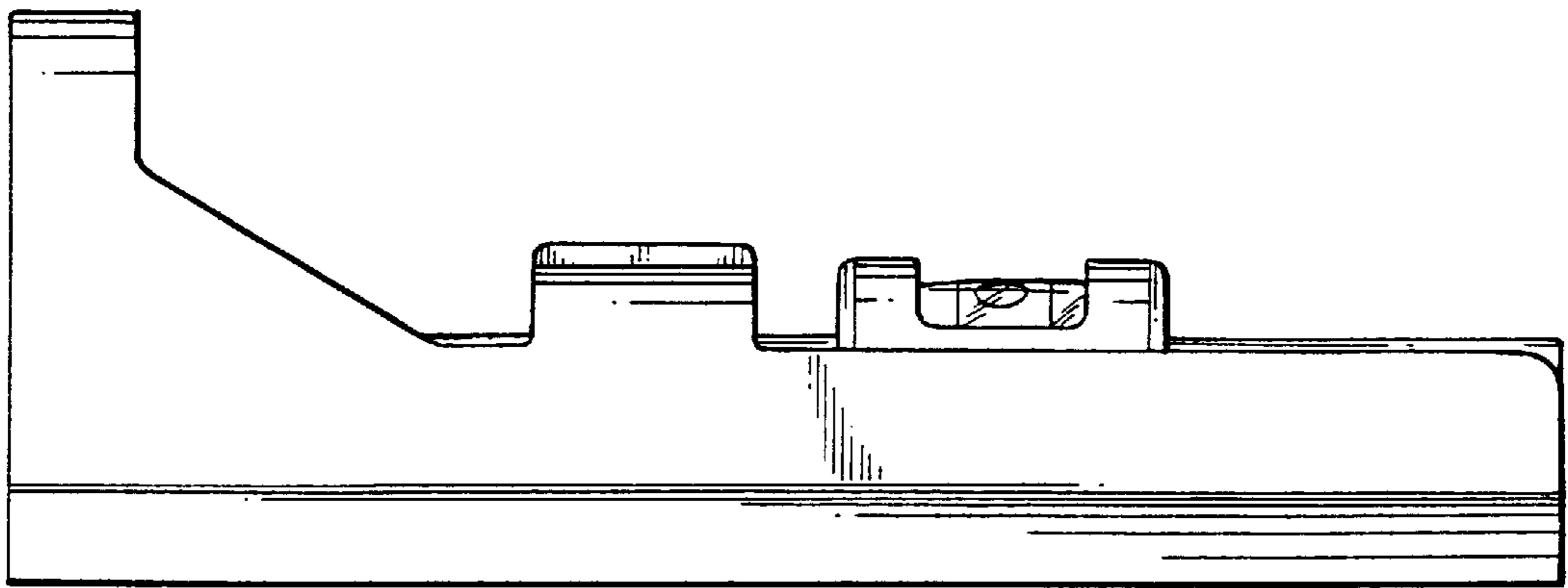


FIG. 2

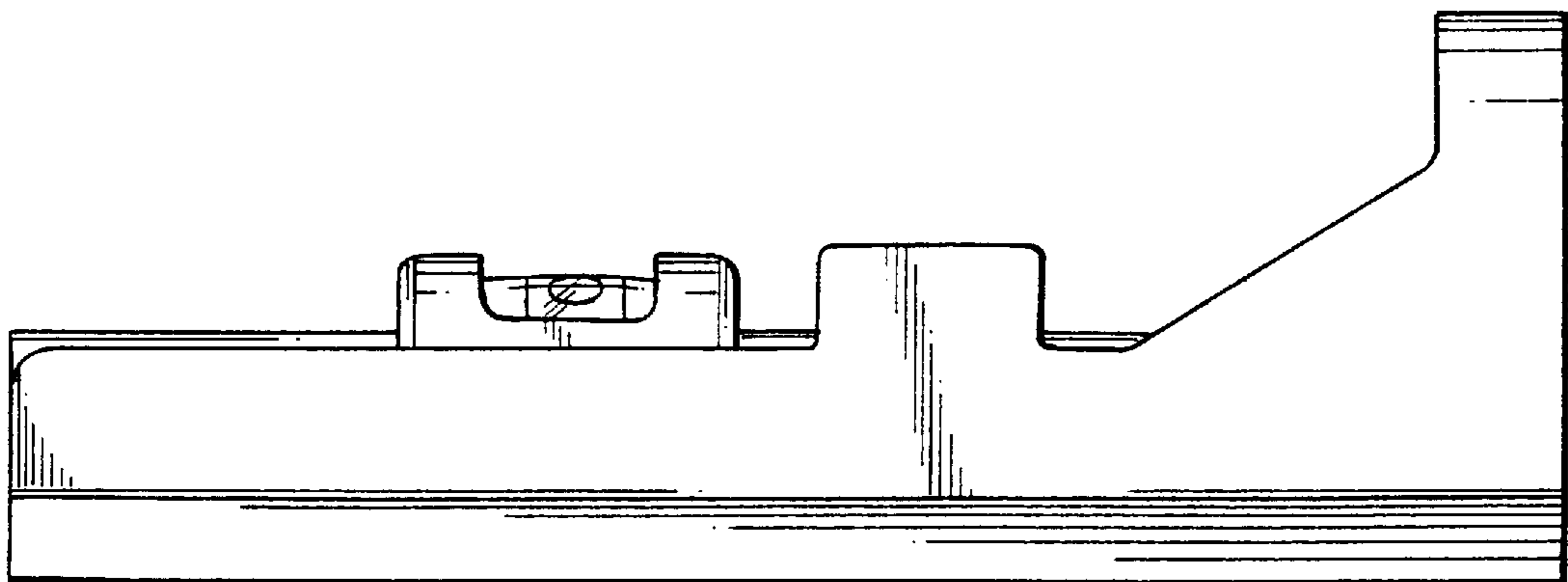


FIG. 3

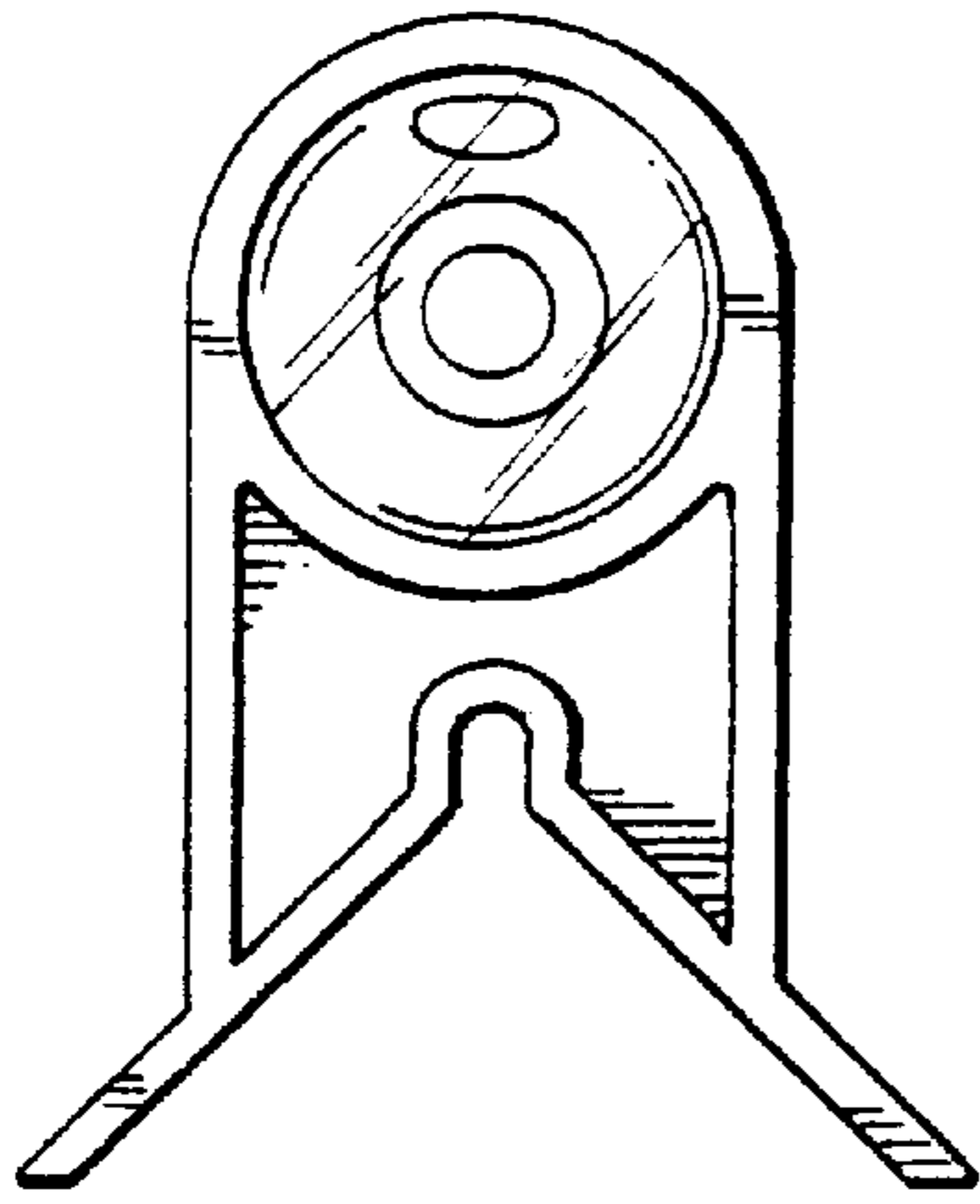


FIG. 4

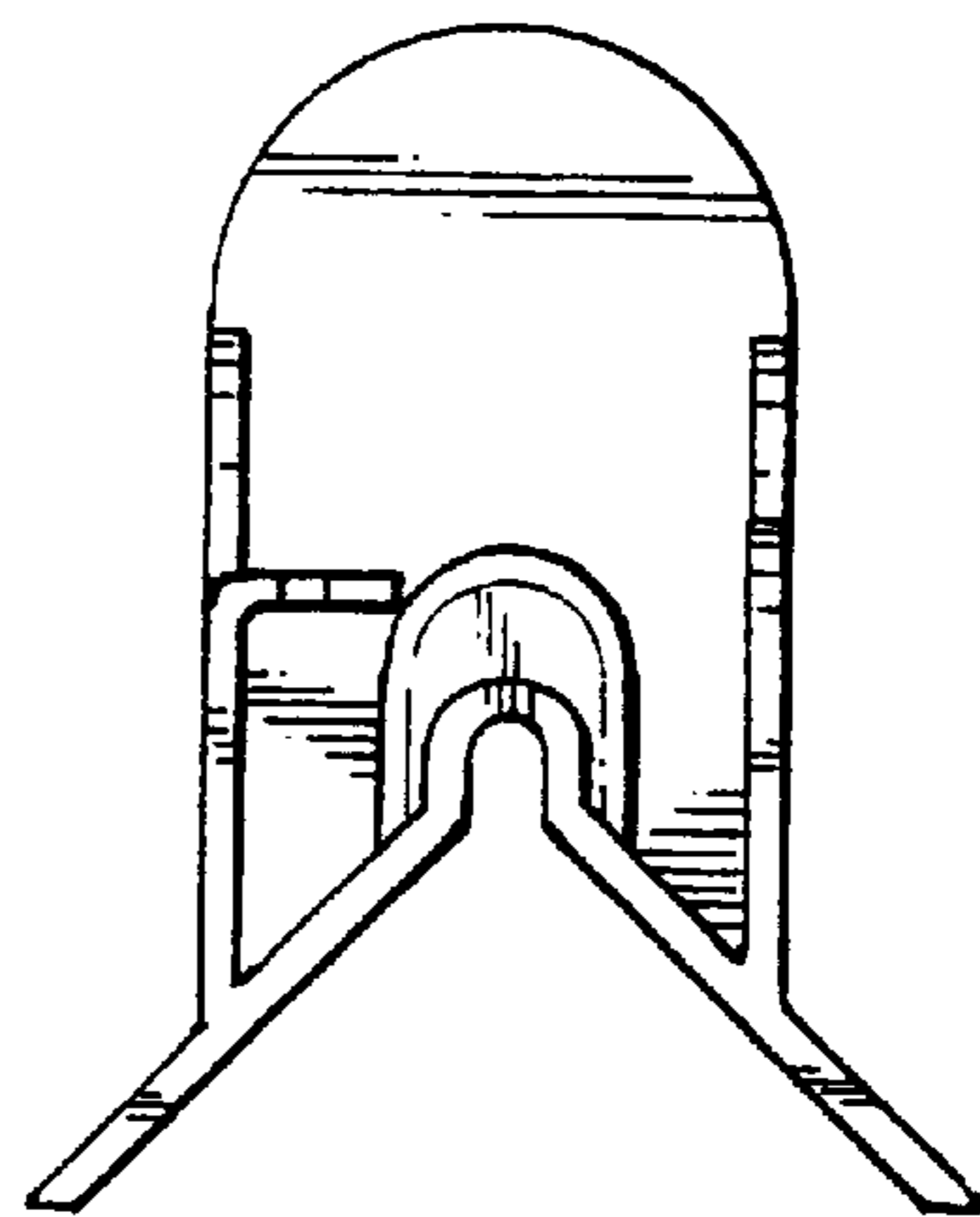


FIG. 5

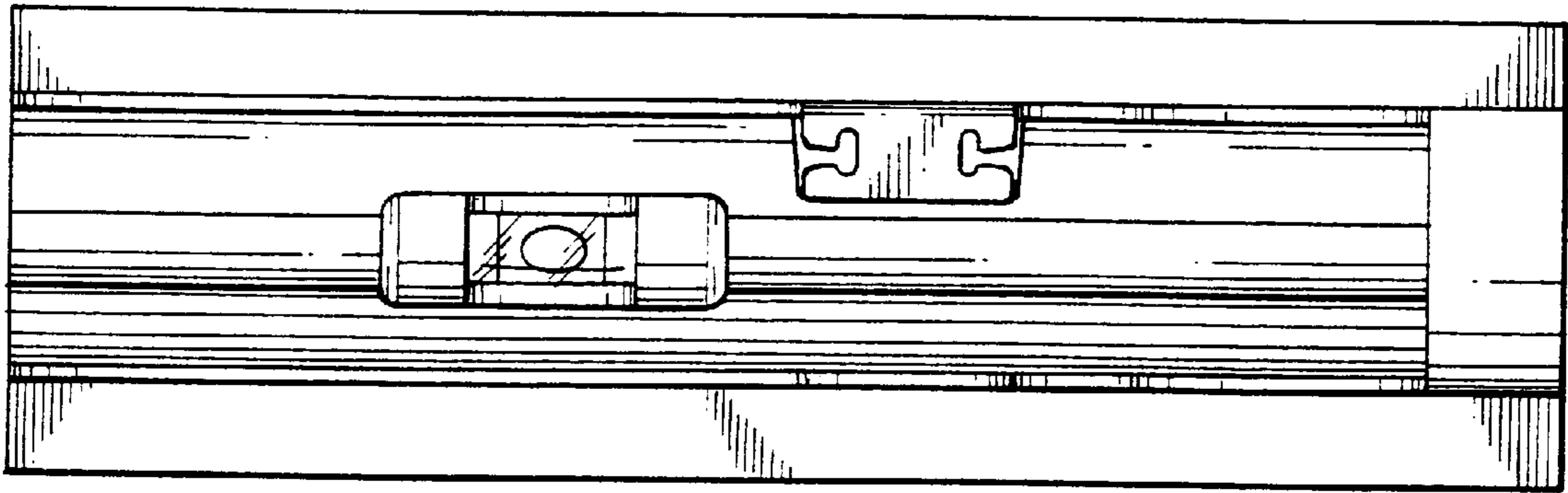


FIG. 6

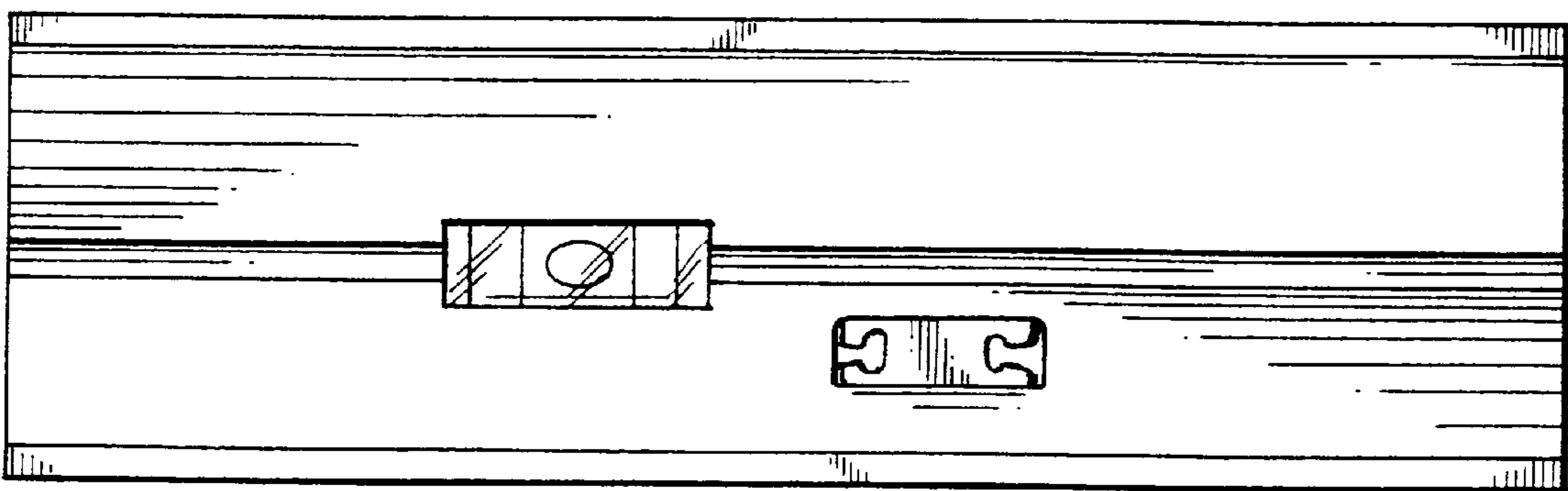


FIG. 7