



US00D412125S

United States Patent [19]

Couch et al.

[11] Patent Number: Des. 412,125

[45] Date of Patent: ** Jul. 20, 1999

[54] **CONSOLE FOR CONTROLLING A RADIATION PROBE**

D. 278,041 3/1985 Clarke D10/75
5,475,219 12/1995 Olson 250/336.1

[75] Inventors: **James S. Couch**, Powell, Ohio;
Maaiké Evers, San Francisco, Calif.;
Beth A. Kizer, Columbus; **Daniel A. Kramer**, Dublin, both of Ohio

Primary Examiner—Antoine Duval Davis
Attorney, Agent, or Firm—Mueller and Smith, LPA

[73] Assignee: **Neoprobe Corporation**, Dublin, Ohio

[57] **CLAIM**

[**] Term: **14 Years**

The ornamental design for a console for controlling a radiation probe, as shown.

[21] Appl. No.: **29/092,808**

[22] Filed: **Aug. 27, 1998**

DESCRIPTION

Related U.S. Application Data

[63] Continuation-in-part of application No. 29/067,945, Mar. 18, 1997.

[51] **LOC (6) Cl.** **10-04**

[52] **U.S. Cl.** **D10/49; D10/47**

[58] **Field of Search** D10/47, 49, 75;
250/336.1, 363.01, 370.01; 600/431, 436

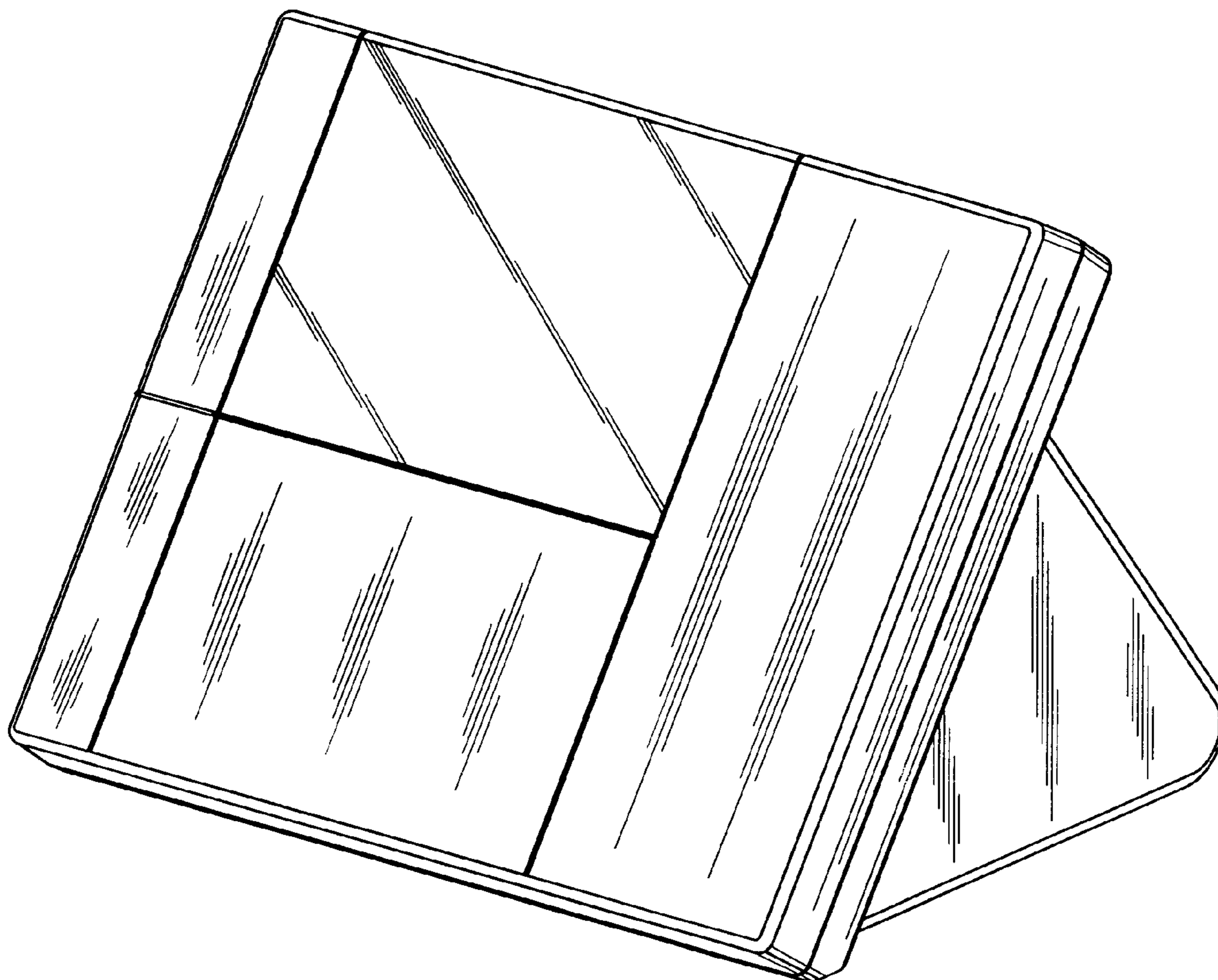
FIG. 1 is a front perspective view of a console for controlling a radiation probe;
FIG. 2 is a rear perspective view of the console for controlling a radiation probe of FIG. 1;
FIG. 3 is a front view of the console for controlling a radiation probe of FIG. 1;
FIG. 4 is a rear view of the console for controlling a radiation probe of FIG. 1;
FIG. 5 is a top view of the console for controlling a radiation probe of FIG. 1;
FIG. 6 is a bottom view of the console for controlling a radiation probe of FIG. 1;
FIG. 7 is a right side view of the console for controlling a radiation probe of FIG. 1; and,
FIG. 8 is a left side view of the console for controlling a radiation probe of FIG. 1.

[56] References Cited

U.S. PATENT DOCUMENTS

D. 215,120 9/1969 Estes D10/47

1 Claim, 4 Drawing Sheets



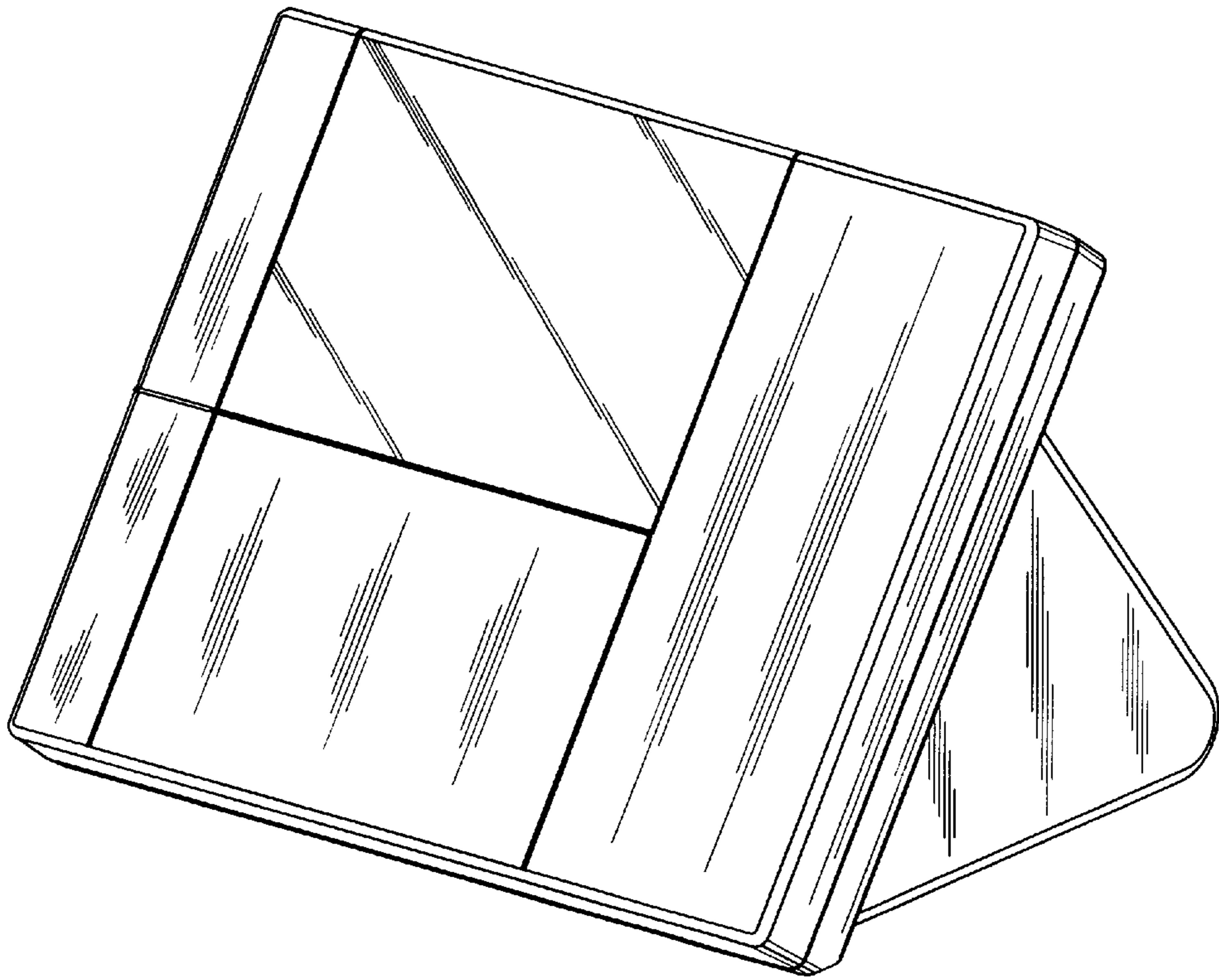


FIG. 1

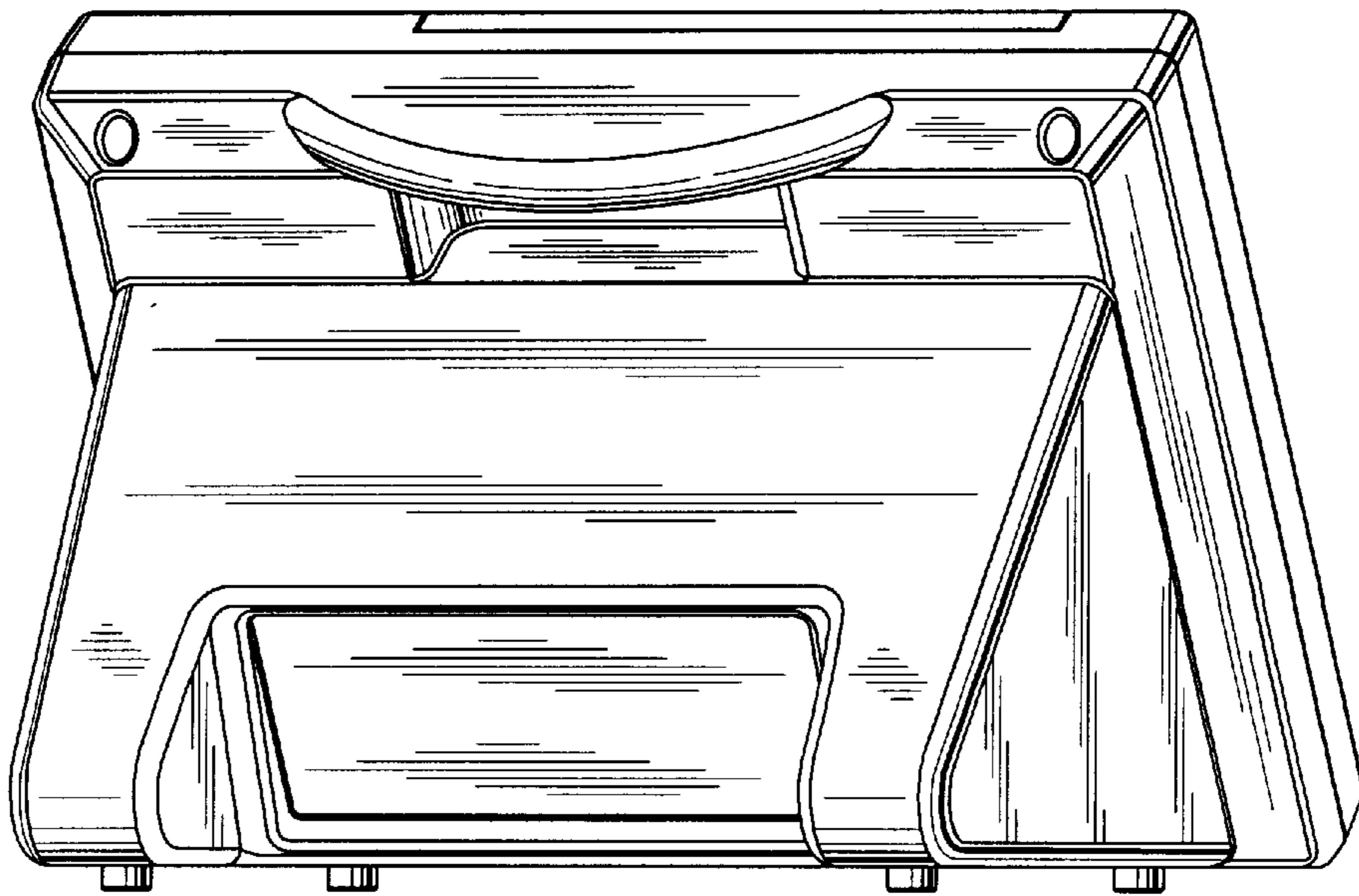


FIG. 2

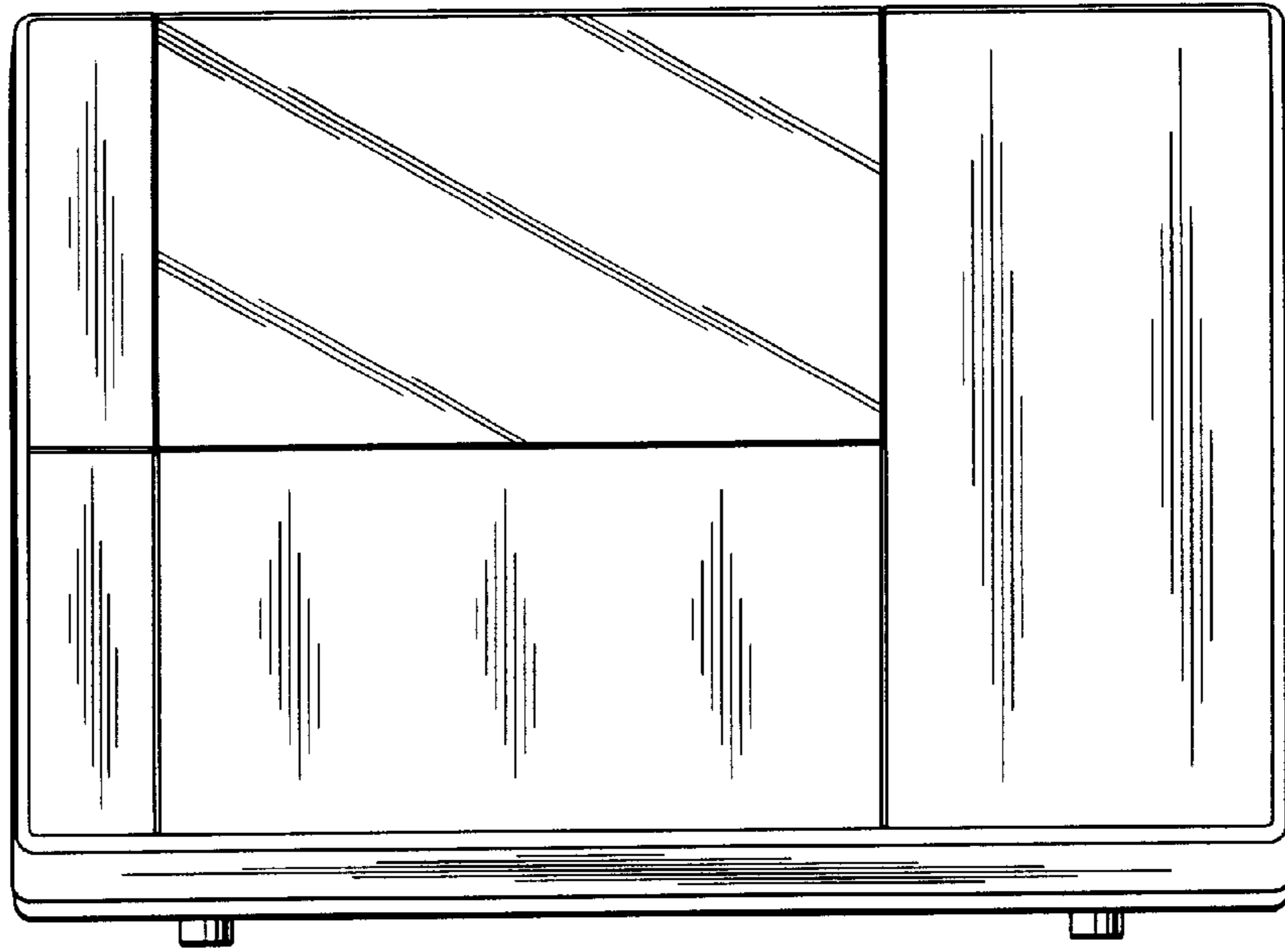


FIG. 3

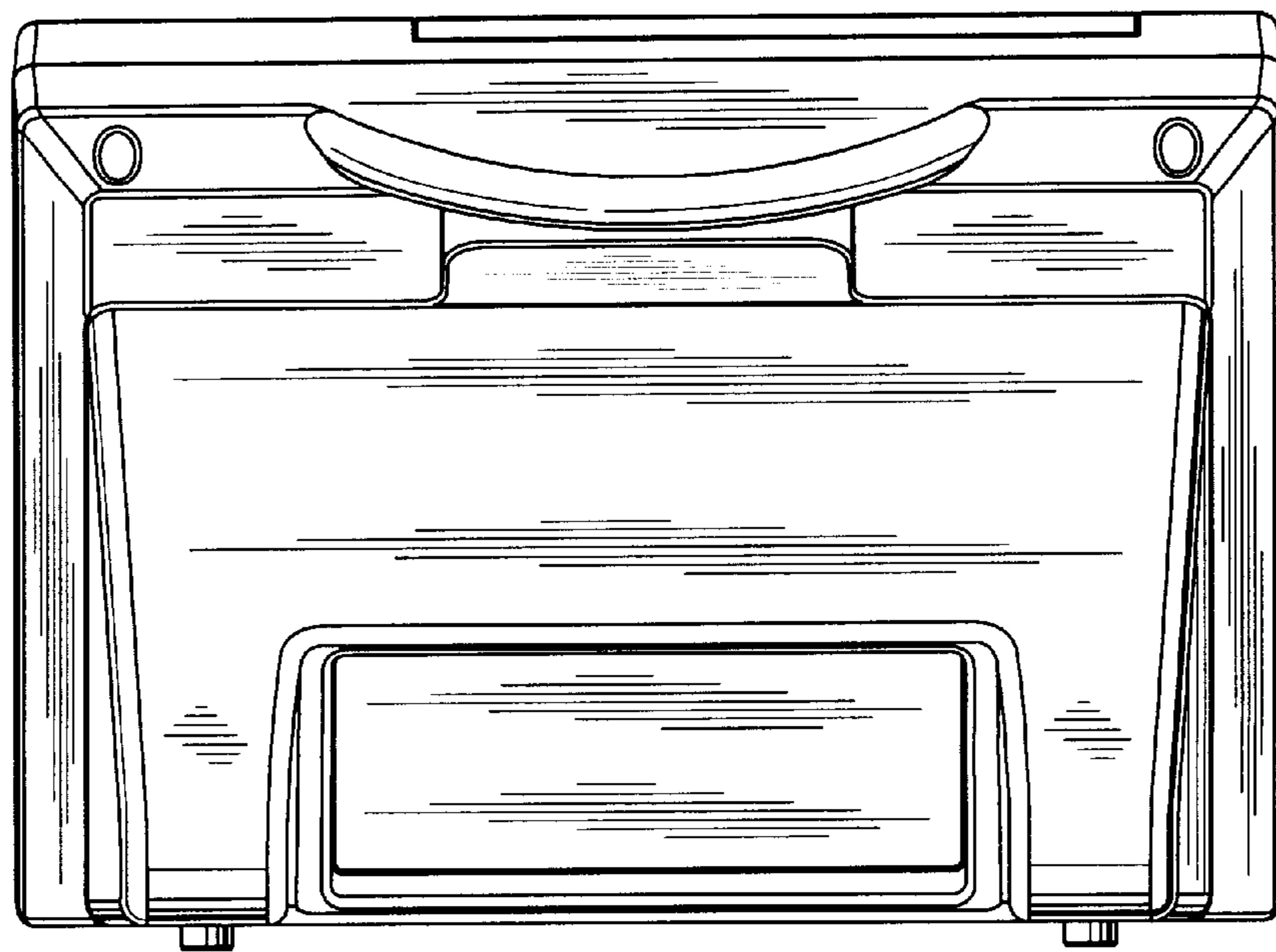


FIG. 4

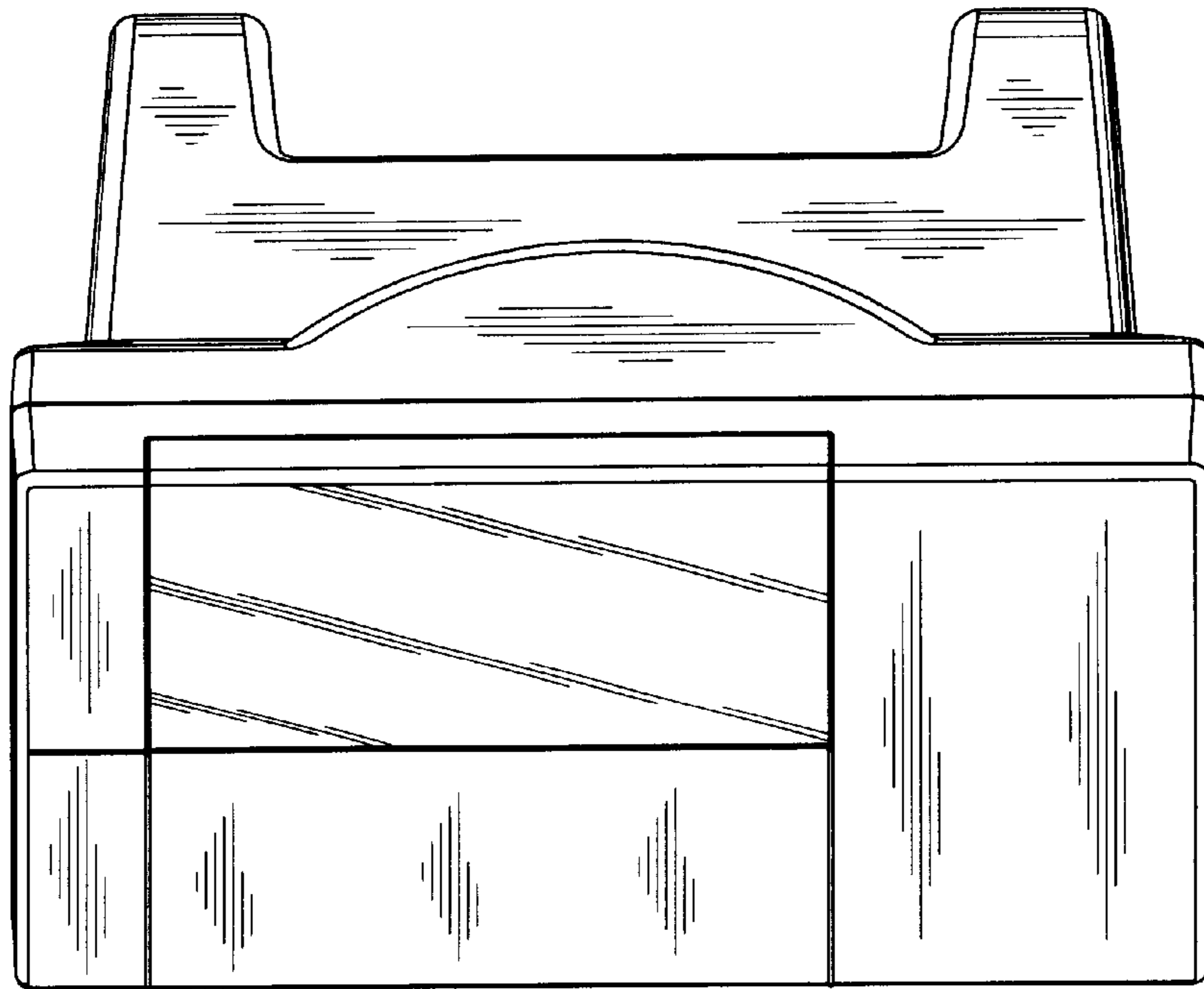


FIG. 5

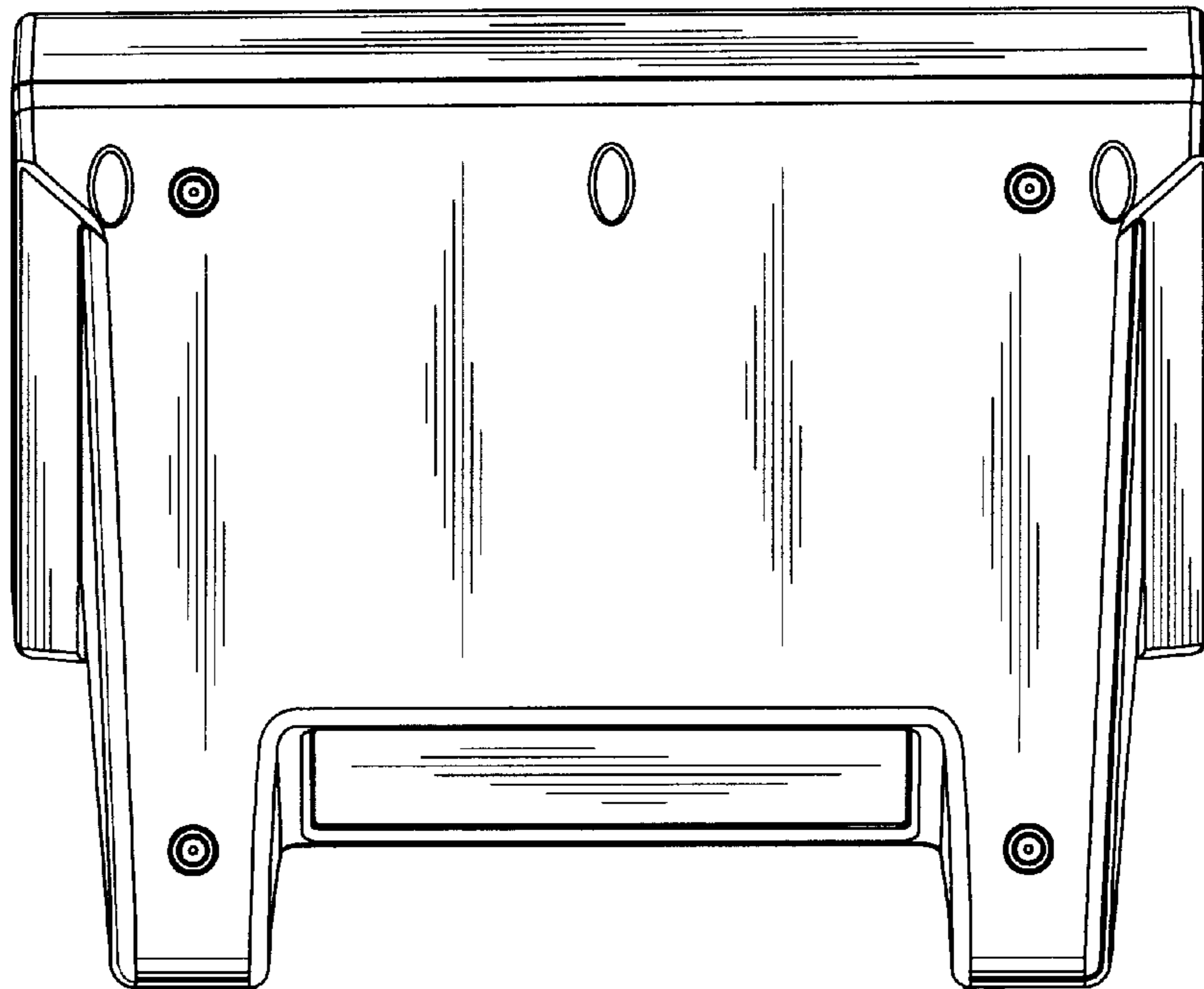


FIG. 6

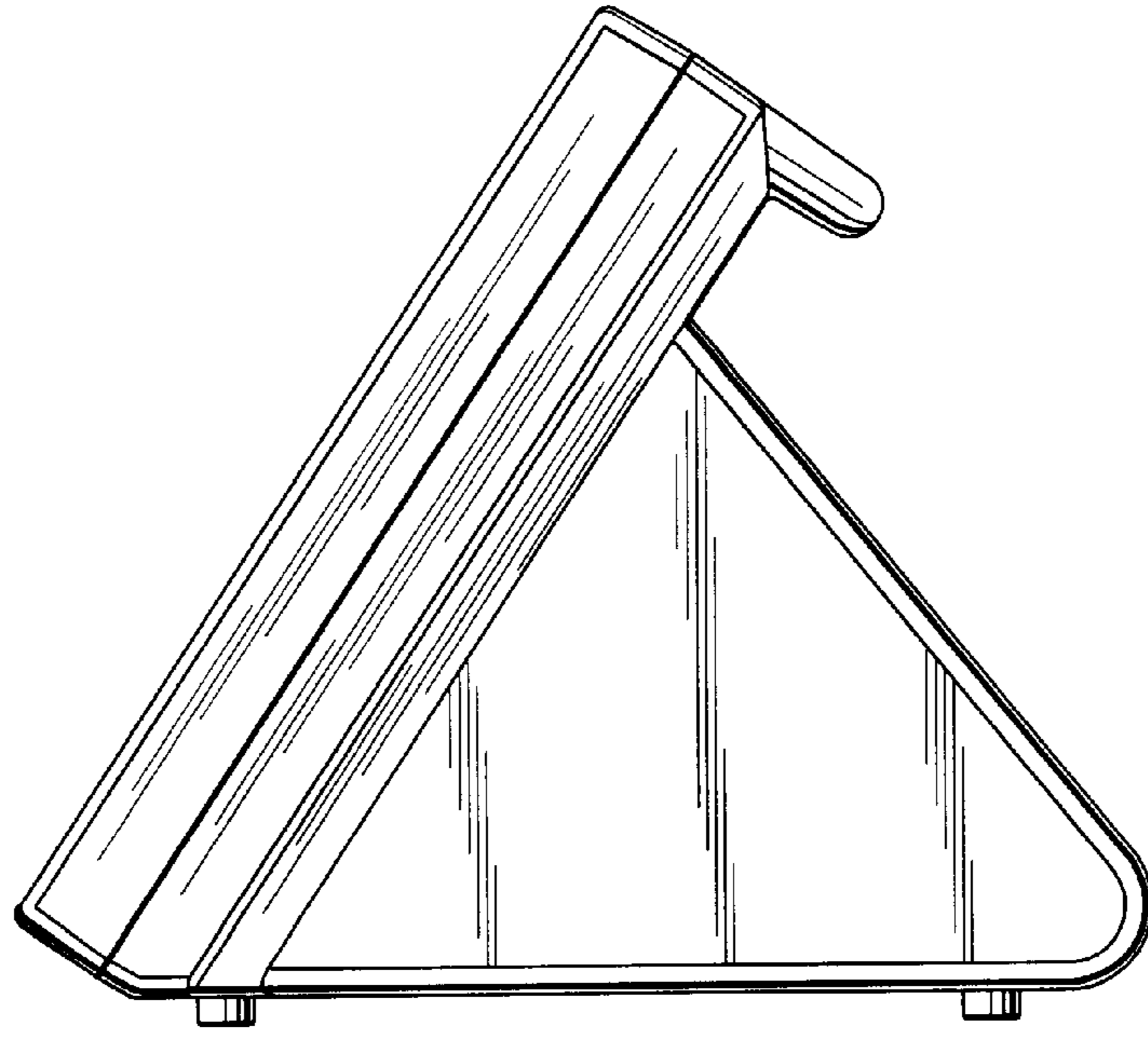


FIG. 7

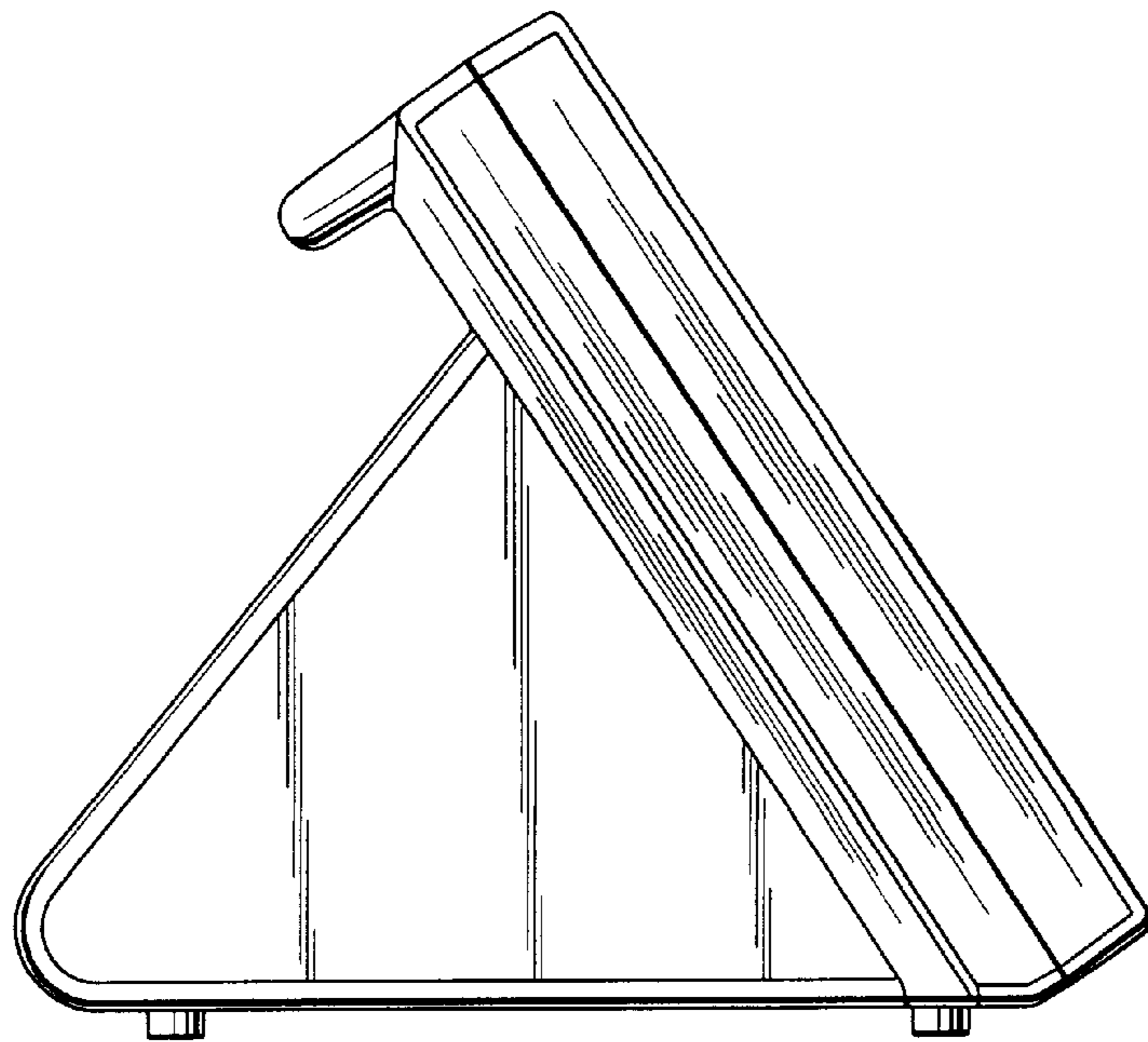


FIG. 8