



US00D412117S

United States Patent [19]

[11] **Patent Number: Des. 412,117**

Page

[45] **Date of Patent: ** Jul. 20, 1999**

[54] **FLEXIBLE CAULK DISPENSING TIP**

4,331,269 5/1982 Holman 222/567 X
4,600,125 7/1986 Maynard, Jr. 222/460 X

[76] Inventor: **Ronald D Page**, 106 W Pennsylvania Ave #11, Redlands, Calif. 92374

Primary Examiner—Doris V. Coles
Assistant Examiner—Cathron B. Matta

[**] Term: **14 Years**

[57] **CLAIM**

[21] Appl. No.: **29/080,523**

The ornamental design for a flexible caulk dispensing tip, as shown.

[22] Filed: **Dec. 11, 1997**

DESCRIPTION

Related U.S. Application Data

[51] **LOC (6) Cl.** **09-07**

FIG. 1 is a left side elevational view of the flexible caulk dispensing tip of the present invention;

[52] **U.S. Cl.** **D9/447**

FIG. 2 is a right side elevational view of the flexible caulk dispensing tip of FIG. 1;

[58] **Field of Search** D9/447, 449, 450;
D7/700; D8/14.1; 222/566, 567, 568

FIG. 3 is a front elevational view of the flexible caulk dispensing tip of FIG. 1;

References Cited

U.S. PATENT DOCUMENTS

- D. 209,871 1/1968 Grebow D9/447
- D. 260,614 9/1981 Peterson D9/447
- D. 278,981 5/1985 Biermann D9/447
- D. 298,015 10/1988 Gendron et al. D9/447
- 1,080,320 12/1913 Boggs 222/567 X
- 2,173,779 9/1939 Francois 222/568

FIG. 4 is a back elevational view of the flexible caulk dispensing tip of FIG. 1;

FIG. 5 is a top plan view of the flexible caulk dispensing tip of FIG. 1; and,

FIG. 6 is a bottom plan view of the flexible caulk dispensing tip of FIG. 1.

1 Claim, 3 Drawing Sheets

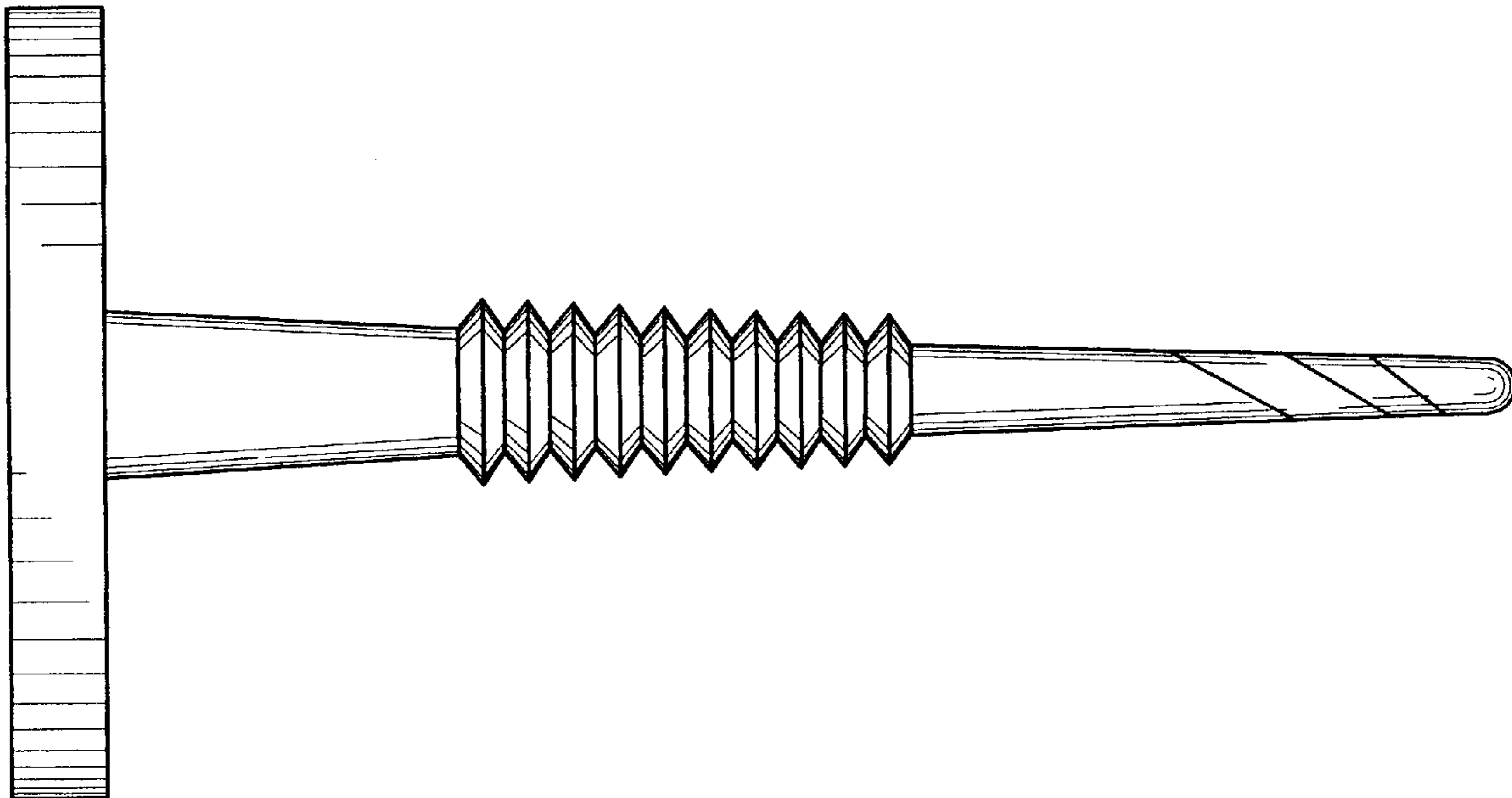


FIG. 1

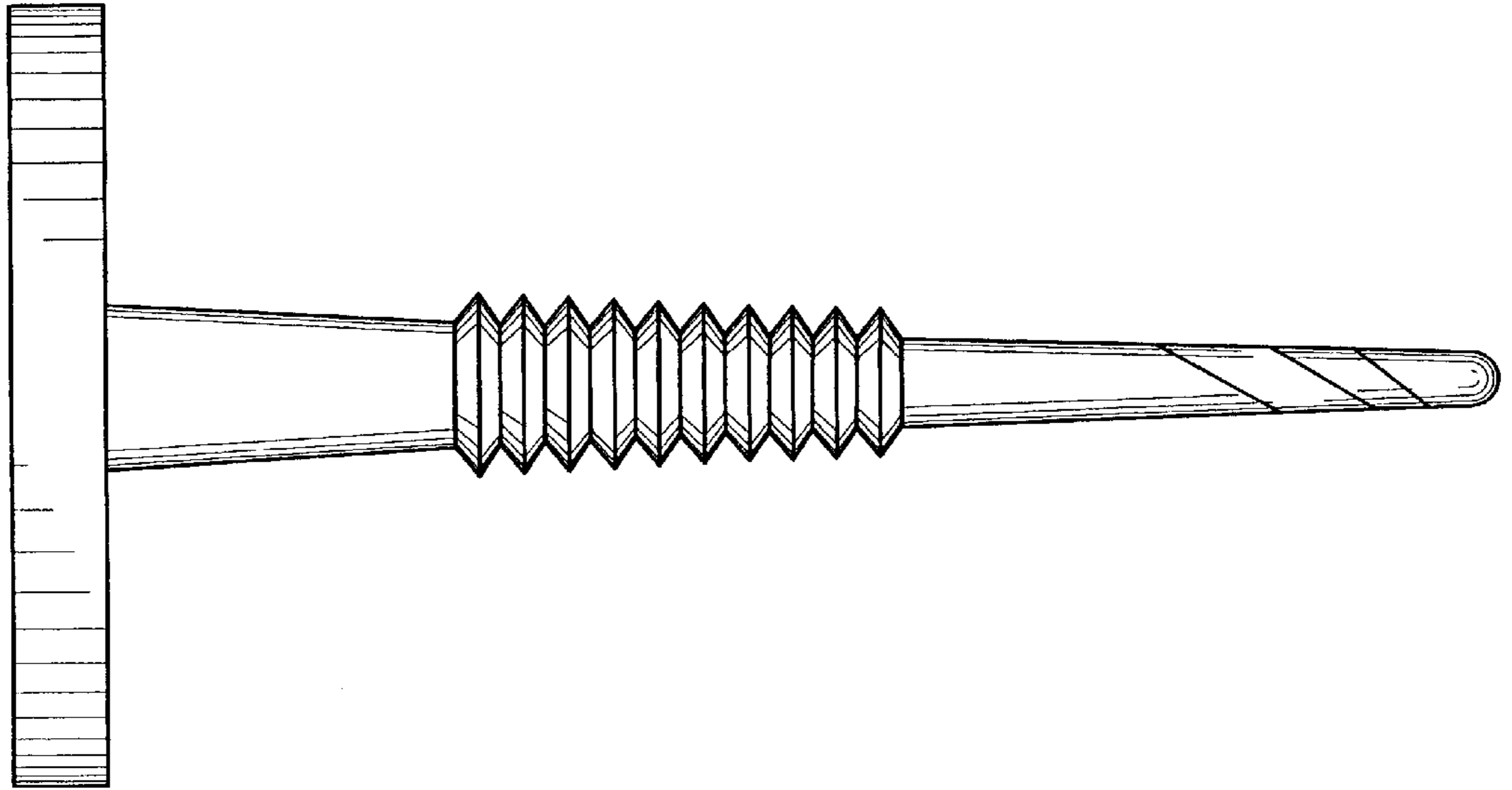


FIG. 2

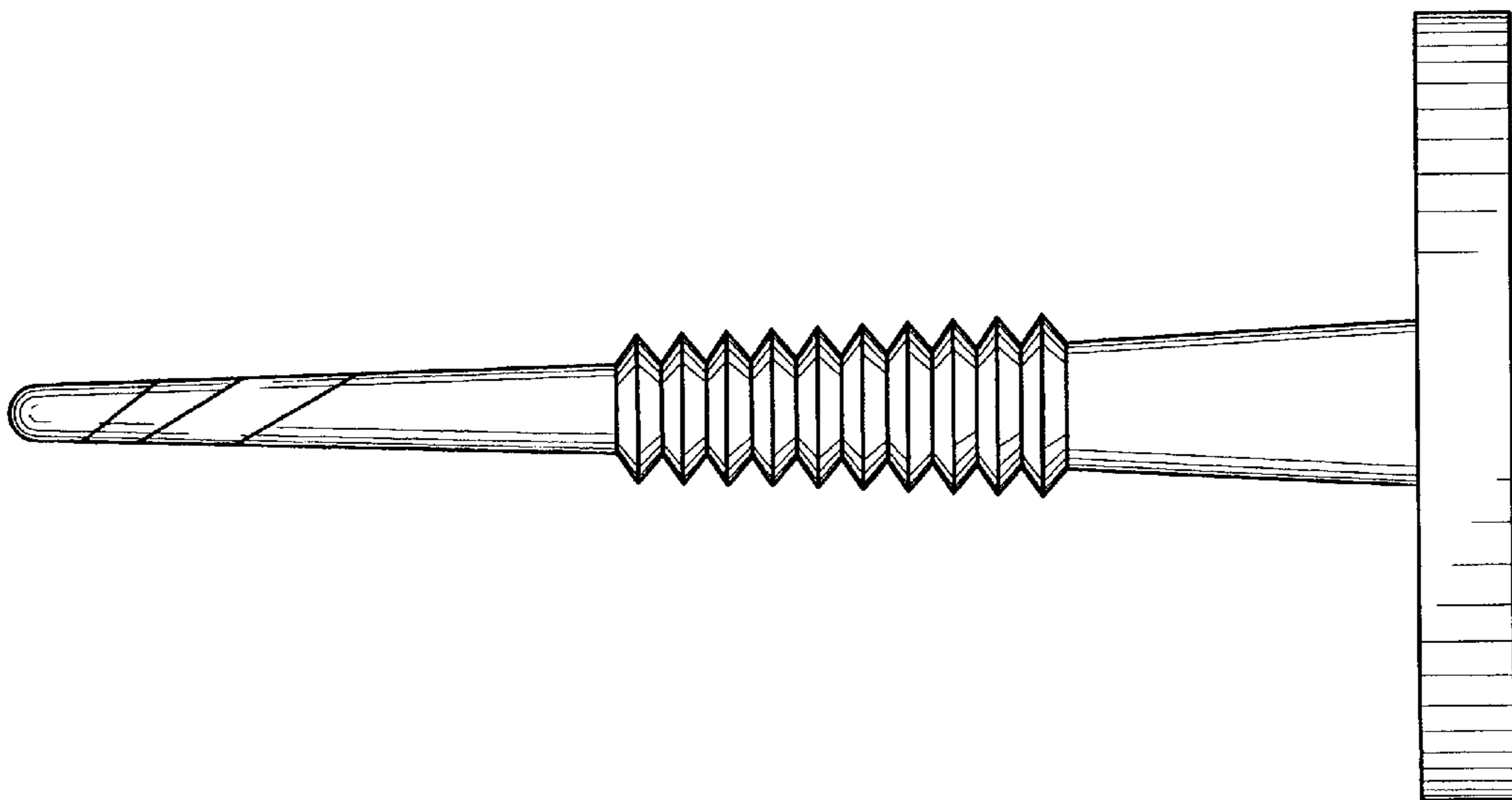


FIG. 3



FIG. 4

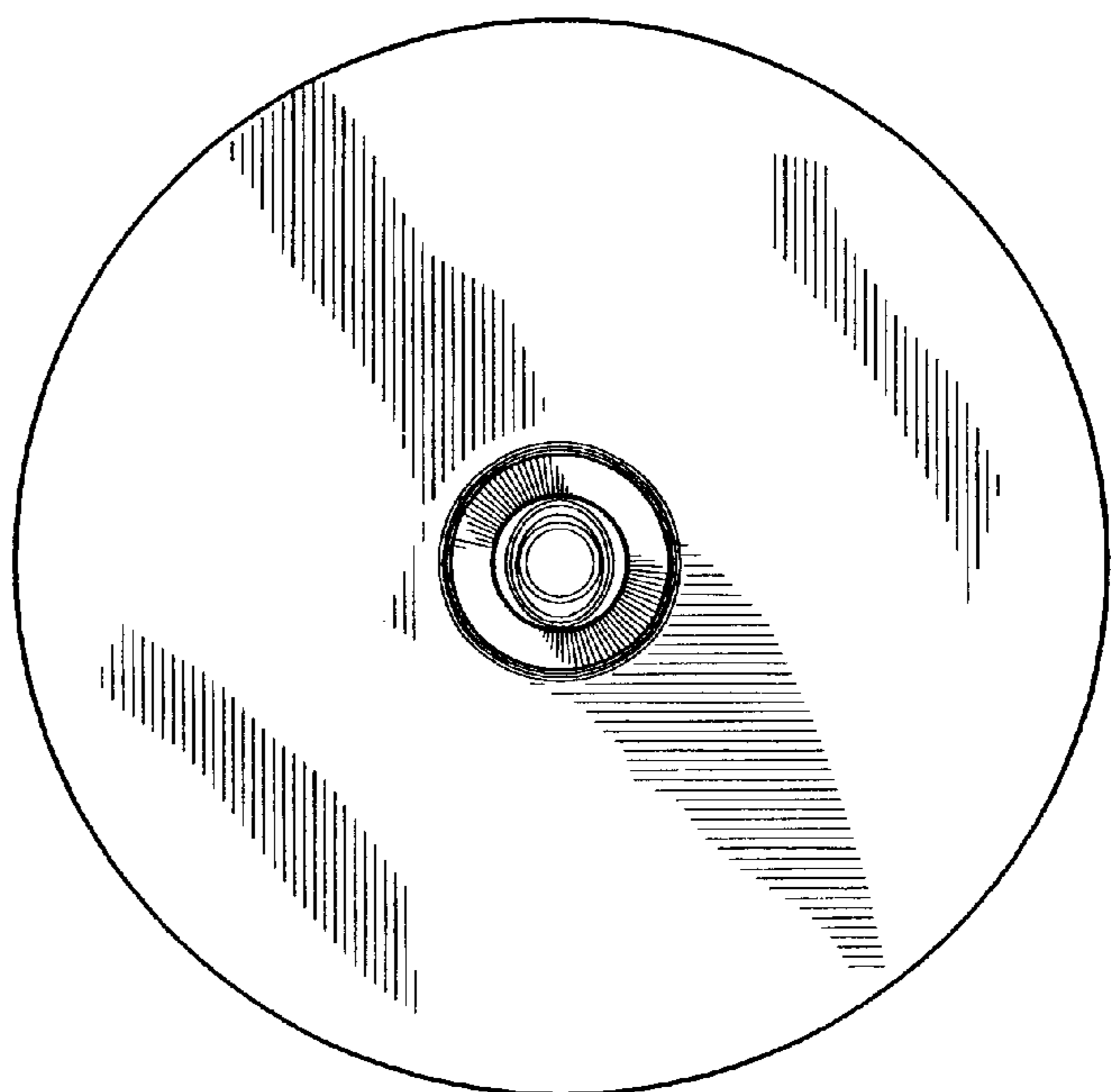


FIG. 5

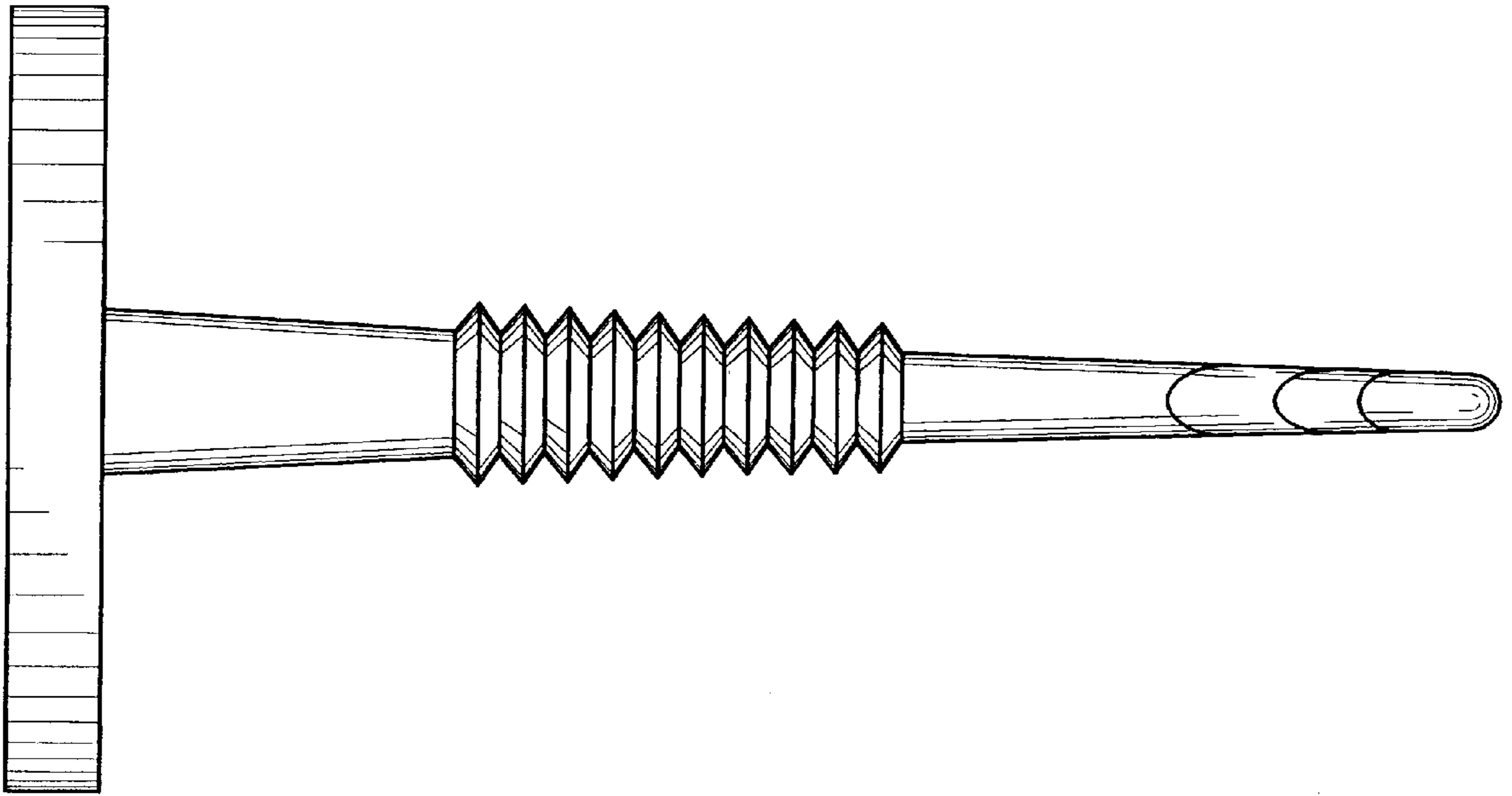


FIG. 6

