



US00D412116S

United States Patent [19]
DuCorday

[11] **Patent Number: Des. 412,116**

[45] **Date of Patent: ** Jul. 20, 1999**

[54] **HEAVY DUTY BAG CLOSURE WITH HANGER**

[76] Inventor: **Gerard Marquis DuCorday**, 10871 Thorley Rd., Santa Ana, Calif. 92705

[**] Term: **14 Years**

[21] Appl. No.: **29/082,254**

[22] Filed: **Jan. 20, 1998**

[51] **LOC (6) Cl.** **09-07**

[52] **U.S. Cl.** **D9/443; D9/434**

[58] **Field of Search** D9/434, 443; D3/323, D3/324; D8/320; 383/12, 13, 16, 22, 23, 24, 78, 81, 92; D6/315, 317, 318, 319, 326

[56] **References Cited**

U.S. PATENT DOCUMENTS

D. 242,764	12/1976	Kamins	D9/434
D. 255,332	6/1980	DuCorday	.	
3,282,493	11/1966	Kamins et al.	.	
3,310,224	3/1967	LaGuerre	.	
3,344,977	10/1967	Kamins et al.	.	
3,452,922	7/1969	Hart	383/16 X
3,495,763	2/1970	Schmidt et al.	383/13
4,000,768	1/1977	Siegel	383/23
4,387,846	6/1983	DuCorday	.	

Primary Examiner—James Gandy
Assistant Examiner—Cathron B. Matta
Attorney, Agent, or Firm—Gene Scott-Patent Law & Venture Group

[57] **CLAIM**

The ornamental design for a heavy duty bag closure with hanger, as shown and described.

DESCRIPTION

FIG. 1 is a perspective view of a heavy duty bag closure with hanger, showing my new design from above and in an open state;

FIG. 2 is a perspective view thereof, showing my new design from below and in an open state;

FIG. 3 is a perspective view thereof, showing my new design from above and in closed state;

FIG. 4 is a top plan view of FIG. 3;

FIG. 5 is a front elevational view of FIG. 3;

FIG. 6 is a bottom plan view of FIG. 3;

FIG. 7 is a rear elevational view of FIG. 3;

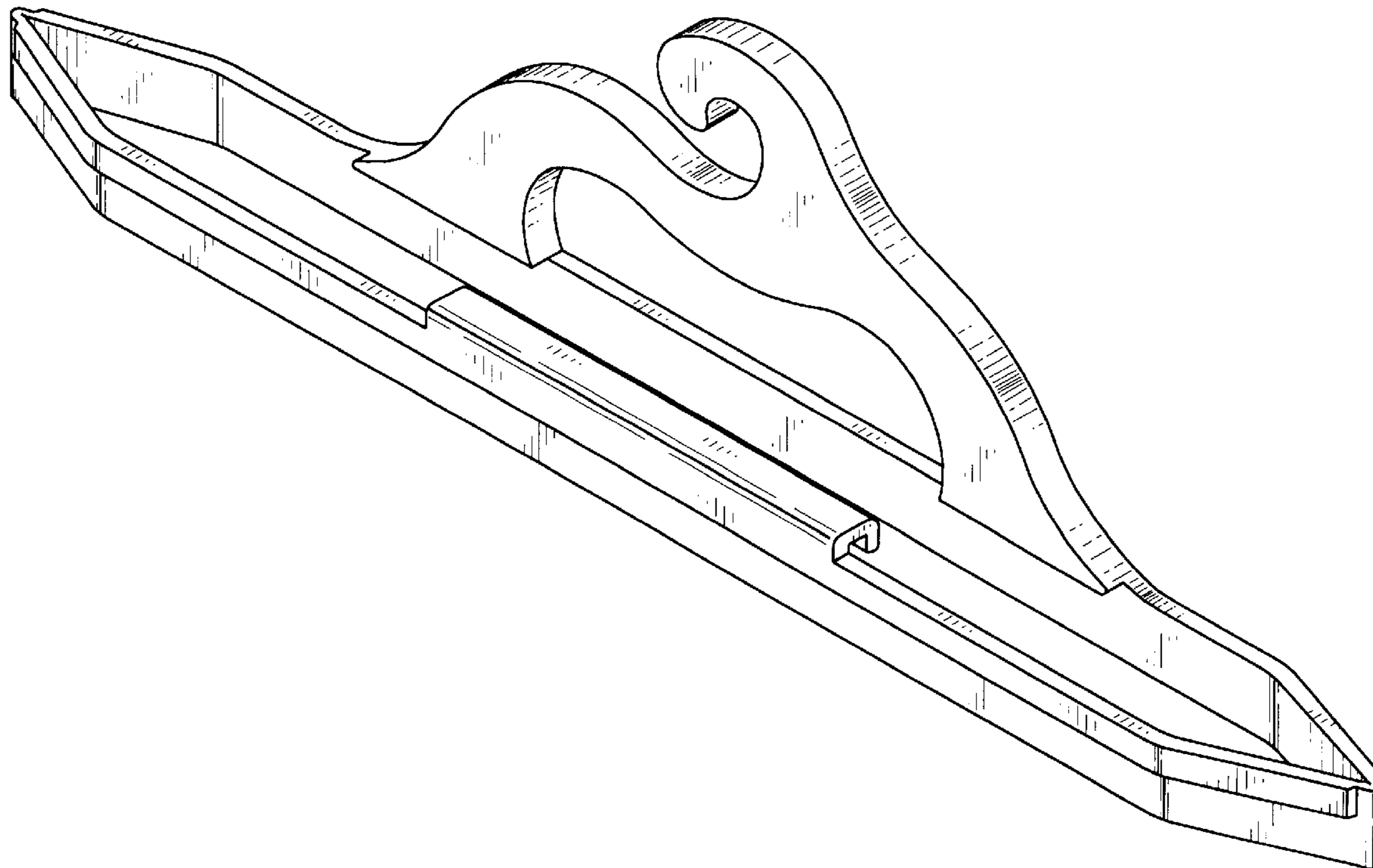
FIG. 8 is a left side elevational view of FIG. 3;

FIG. 9 is a right side elevational view of FIG. 3; and,

FIG. 10 is an enlarged sectional view taken along line 10—10 in FIG. 3.

The broken line environmental structure is for illustrative purposes only and forms no part of the claimed design.

1 Claim, 4 Drawing Sheets



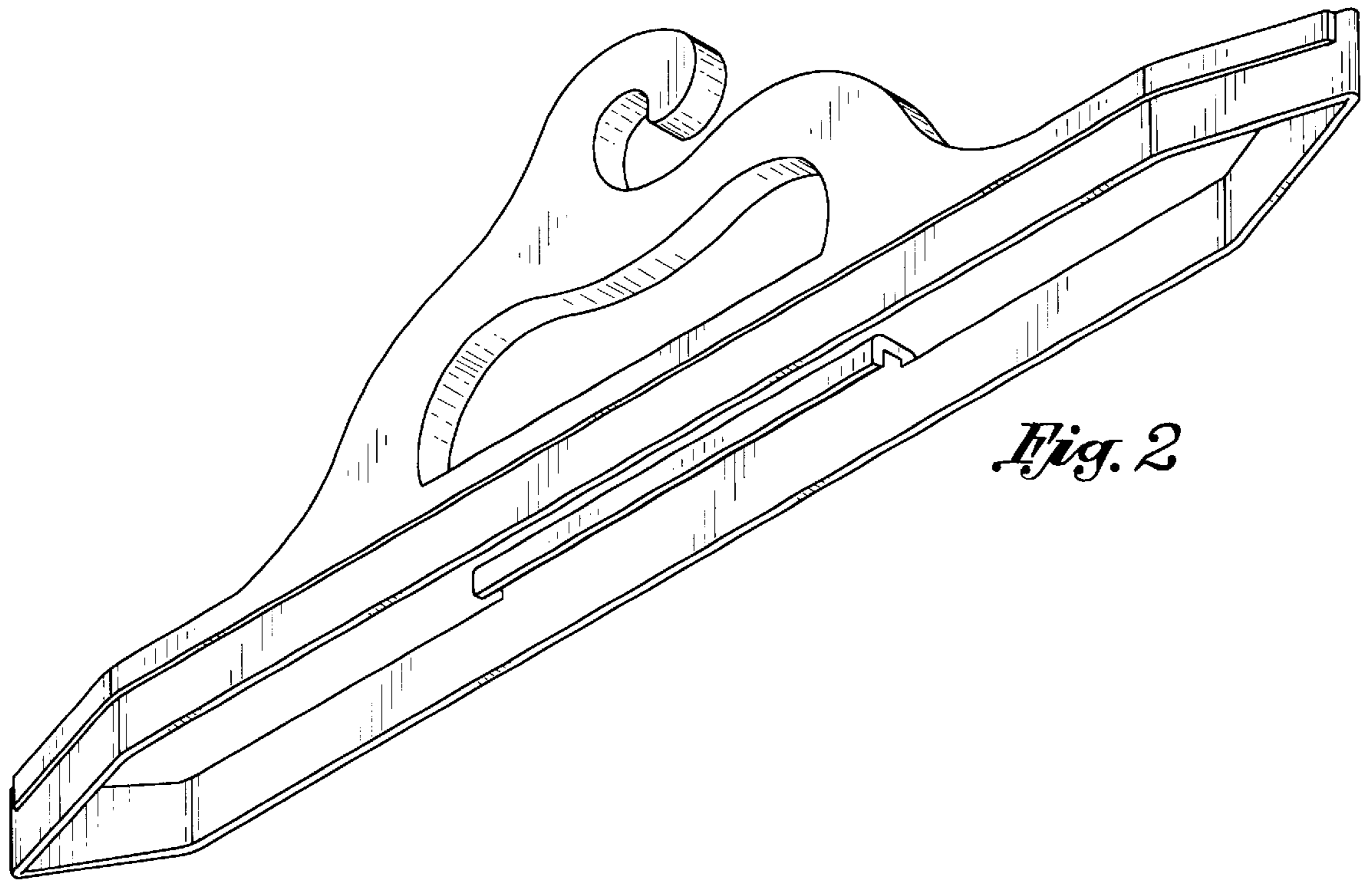


Fig. 2

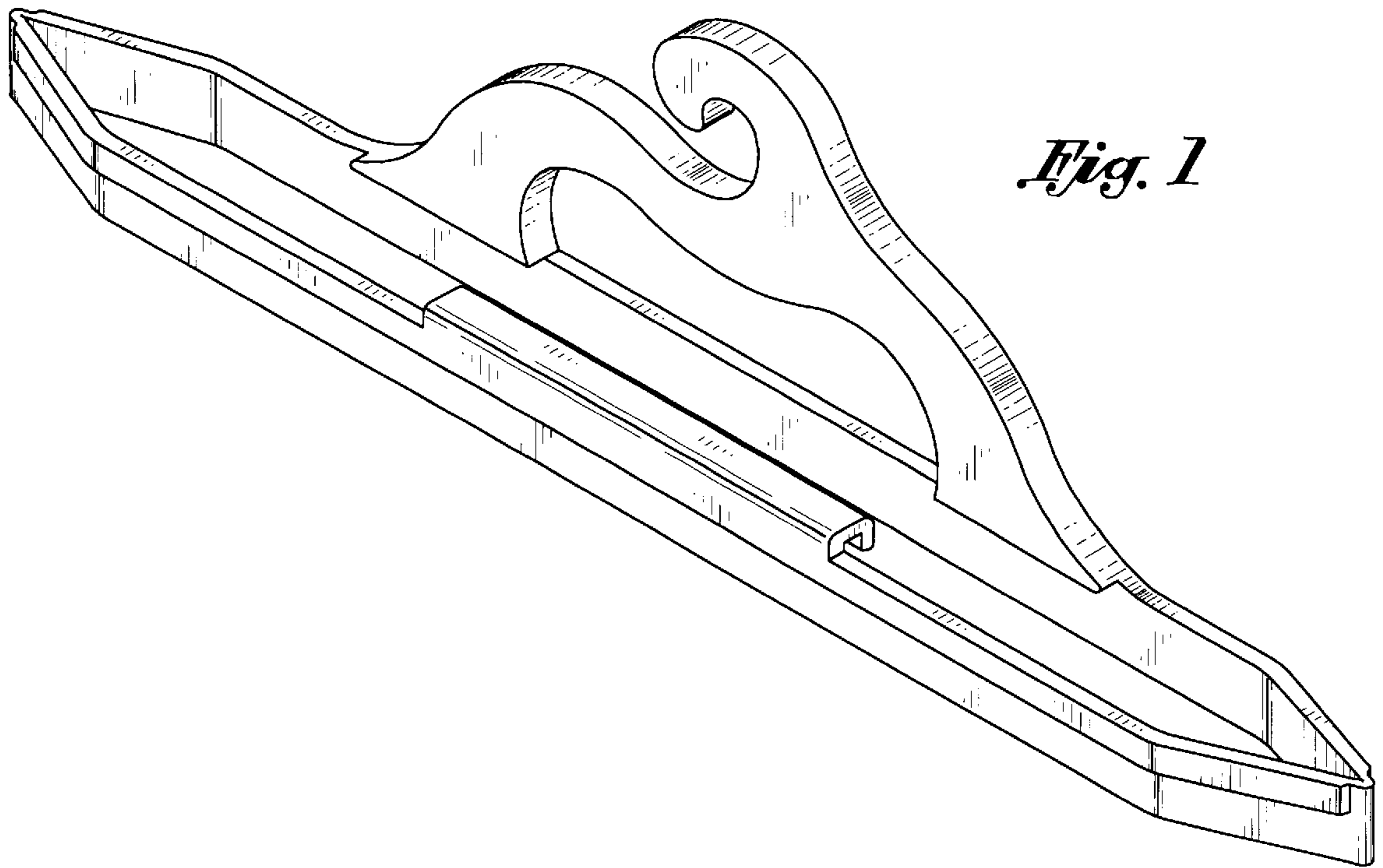


Fig. 1

Fig. 3

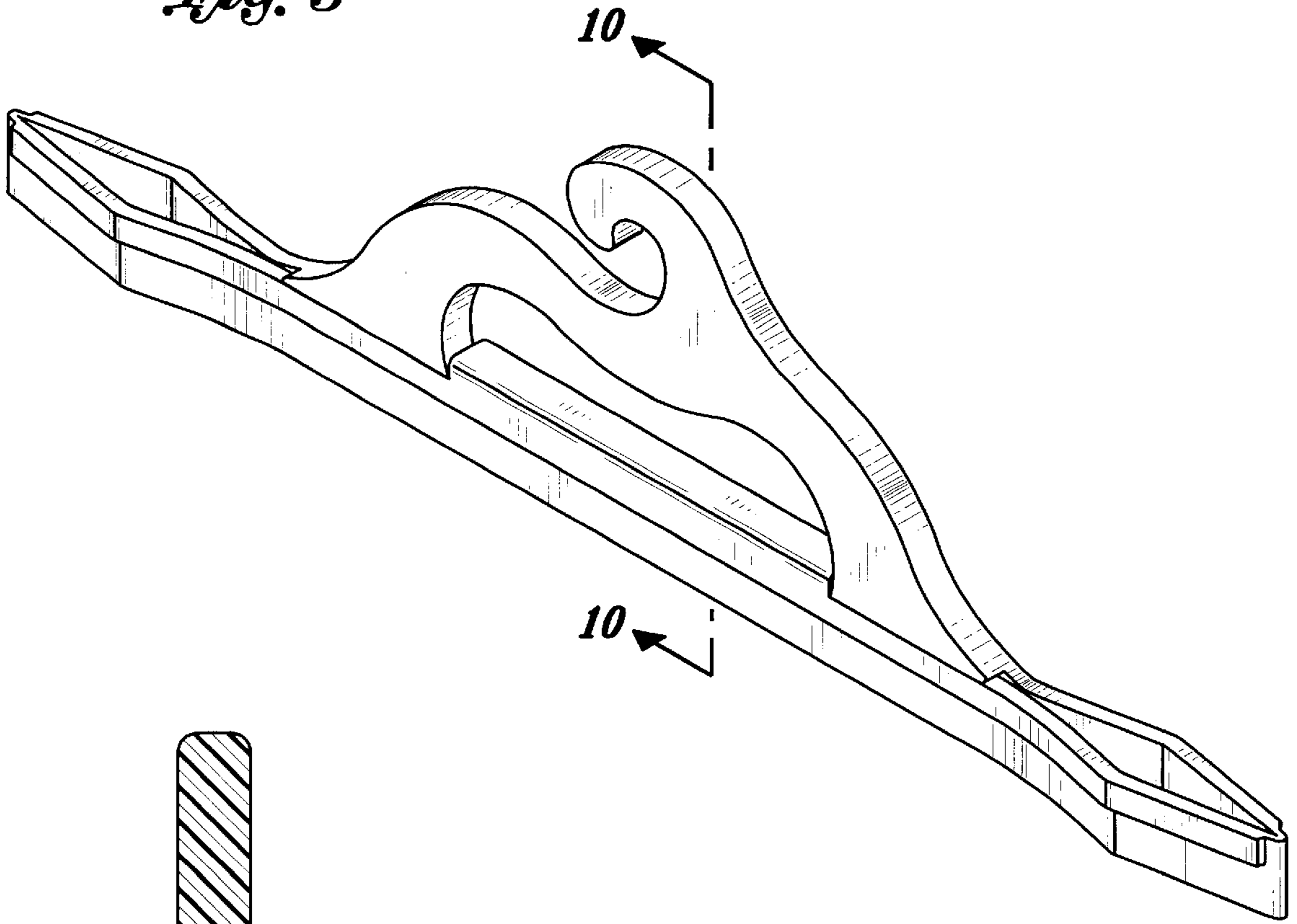


Fig. 10

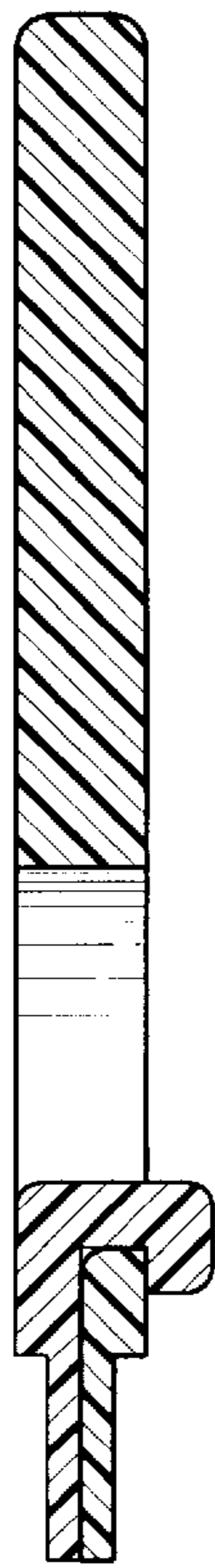


Fig. 4

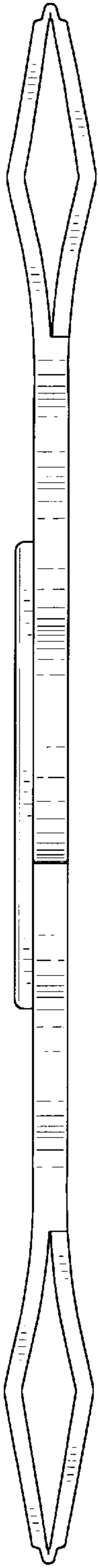


Fig. 5

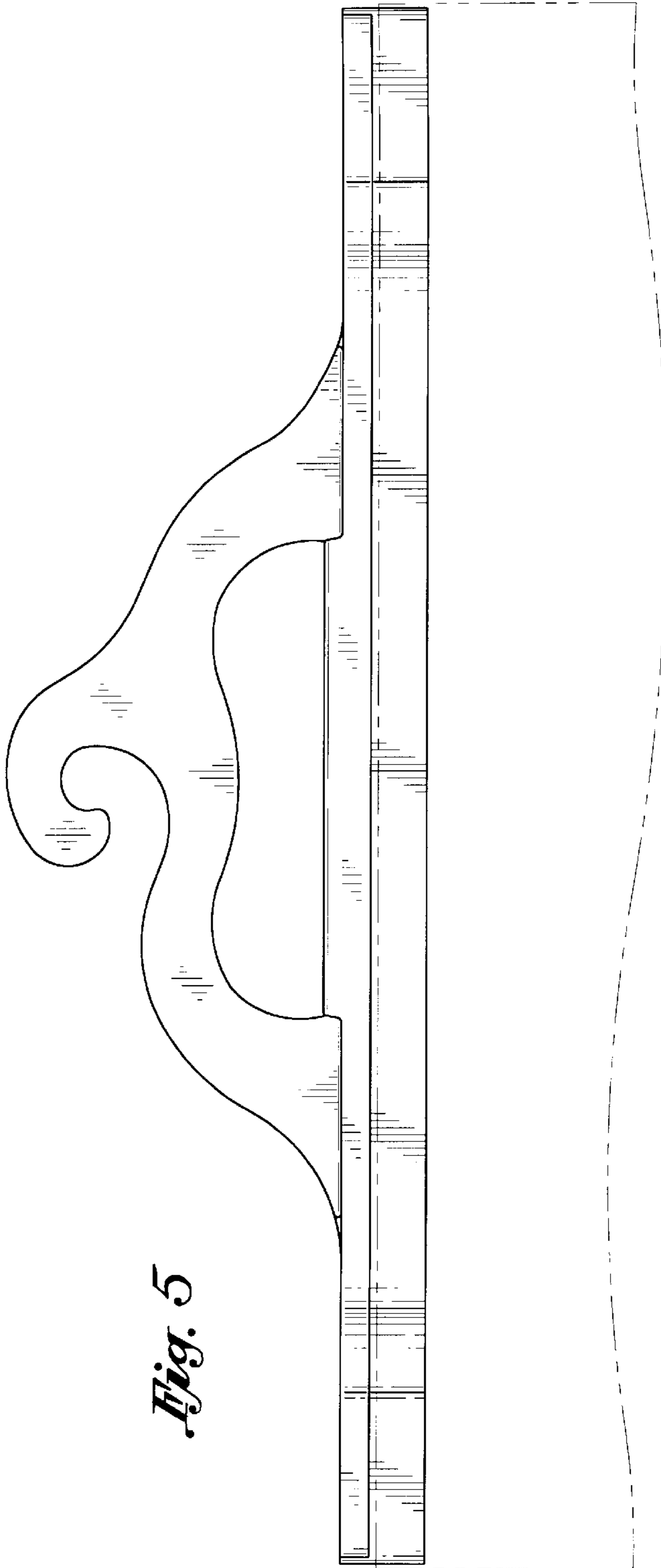
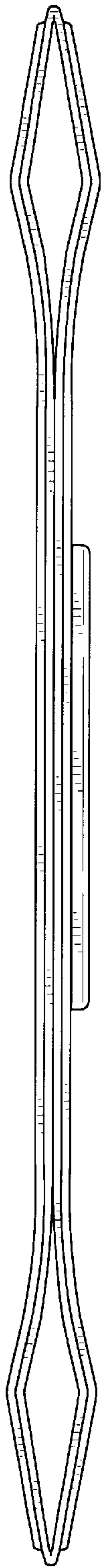


Fig. 6



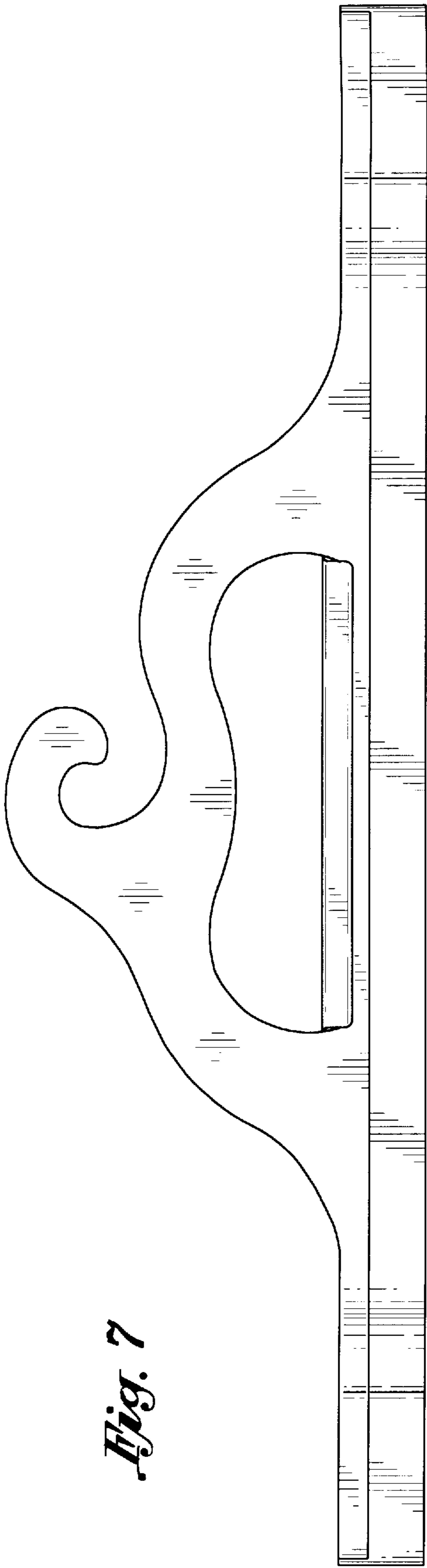


Fig. 7

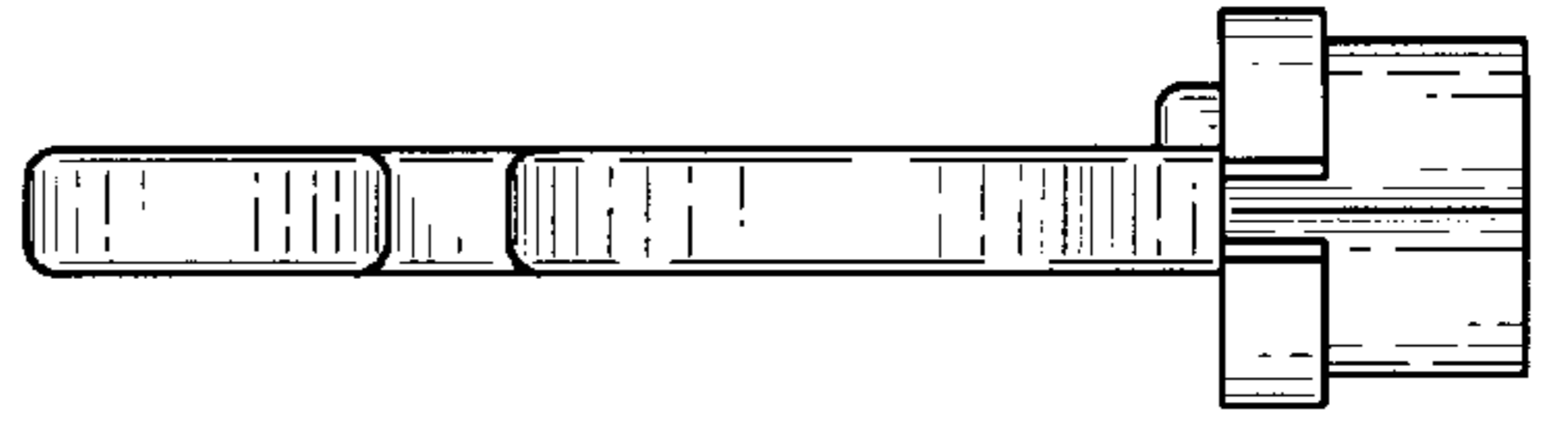


Fig. 9

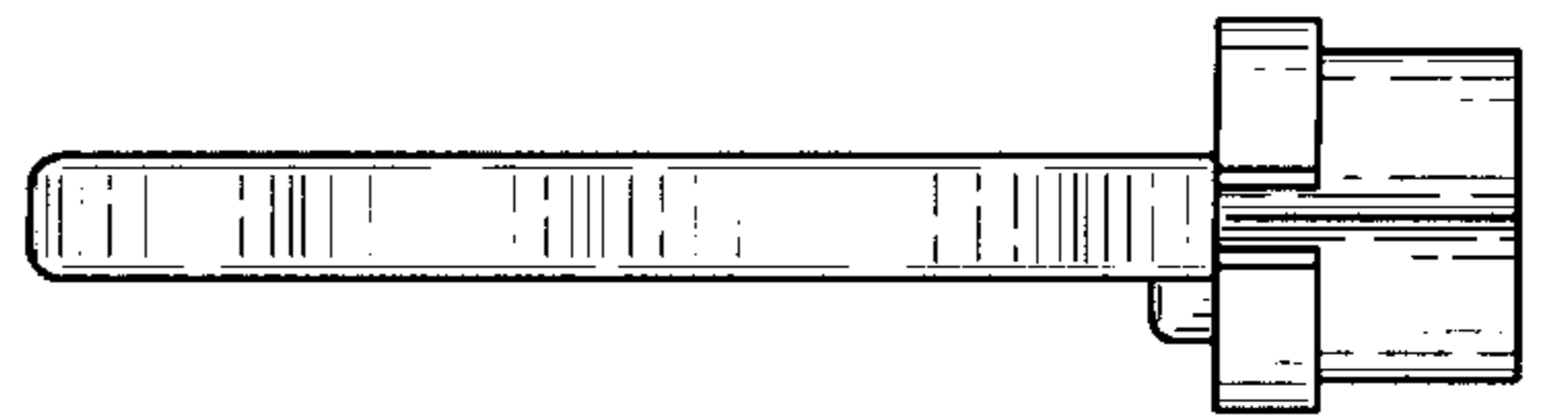


Fig. 8