



US00D412115S

United States Patent [19] D'Andrea

[11] **Patent Number: Des. 412,115**
[45] **Date of Patent: ** Jul. 20, 1999**

[54] **CONTAINER**

[75] **Inventor: Daren Mark D'Andrea**, Stamford, Conn.

[73] **Assignee: Nadel Industries, Inc.**, Portchester, N.Y.

[**] **Term: 14 Years**

[21] **Appl. No.: 29/089,795**

[22] **Filed: Jun. 23, 1998**

[51] **LOC (6) Cl. 09-07**

[52] **U.S. Cl. D9/428**

[58] **Field of Search** D9/428, 429, 424, D9/425, 415, 418, 414; D28/82, 73; 206/581, 216; 220/4.21-4.25; 229/4.5, 93

[56] **References Cited**

U.S. PATENT DOCUMENTS

D. 202,594	10/1965	Hrolenok .	
D. 243,069	1/1977	Igelman .	
265,609	10/1882	Johnston .	
D. 335,085	4/1993	Wacker .	
D. 345,507	3/1994	Granai .	
D. 358,231	5/1995	Liu	D28/82
D. 368,987	4/1996	Boucheron	D28/82
D. 375,261	11/1996	Fiori	D9/428
2,604,976	9/1952	Sarq .	
2,745,642	5/1956	Hermann	220/4.25 X
4,244,470	1/1981	Burnham	220/4.23 X
4,532,722	8/1985	Sax	220/4.25 X
4,593,817	6/1986	Ferrero .	
4,779,794	10/1988	Moore	220/4.25 X
4,883,935	11/1989	Fairchild et al. .	

5,063,057	11/1991	Spellman et al. .	
5,064,082	11/1991	Lombardi et al. .	
5,792,496	8/1998	Fekete et al.	220/4.25 X

OTHER PUBLICATIONS

Packaging cat, p. 158, 1959.

Primary Examiner—Prabhakar Deshmukh
Attorney, Agent, or Firm—Amster Rothstein & Ebenstein

[57] **CLAIM**

The ornamental design for a container, as shown and described.

DESCRIPTION

FIG. 1 is a top perspective view of a first embodiment of a container showing my new design;
 FIG. 2 is a top plan view thereof;
 FIG. 3 is a side elevational view thereof, the opposite side being identical thereto;
 FIG. 4 is a side elevational view thereof rotated 90°, the opposite side being identical thereto;
 FIG. 5 is a bottom elevational view thereof;
 FIG. 6 is an exploded view thereof;
 FIG. 7 is a top perspective view, of a second embodiment of a container showing my new design;
 FIG. 8 is a top elevational view thereof;
 FIG. 9 is a side elevational view thereof, the opposite side being identical thereto;
 FIG. 10 is a side elevational view thereof rotated 90°, the opposite side being identical thereto;
 FIG. 11 is a bottom elevational view thereof; and,
 FIG. 12 is an exploded view thereof.

1 Claim, 7 Drawing Sheets

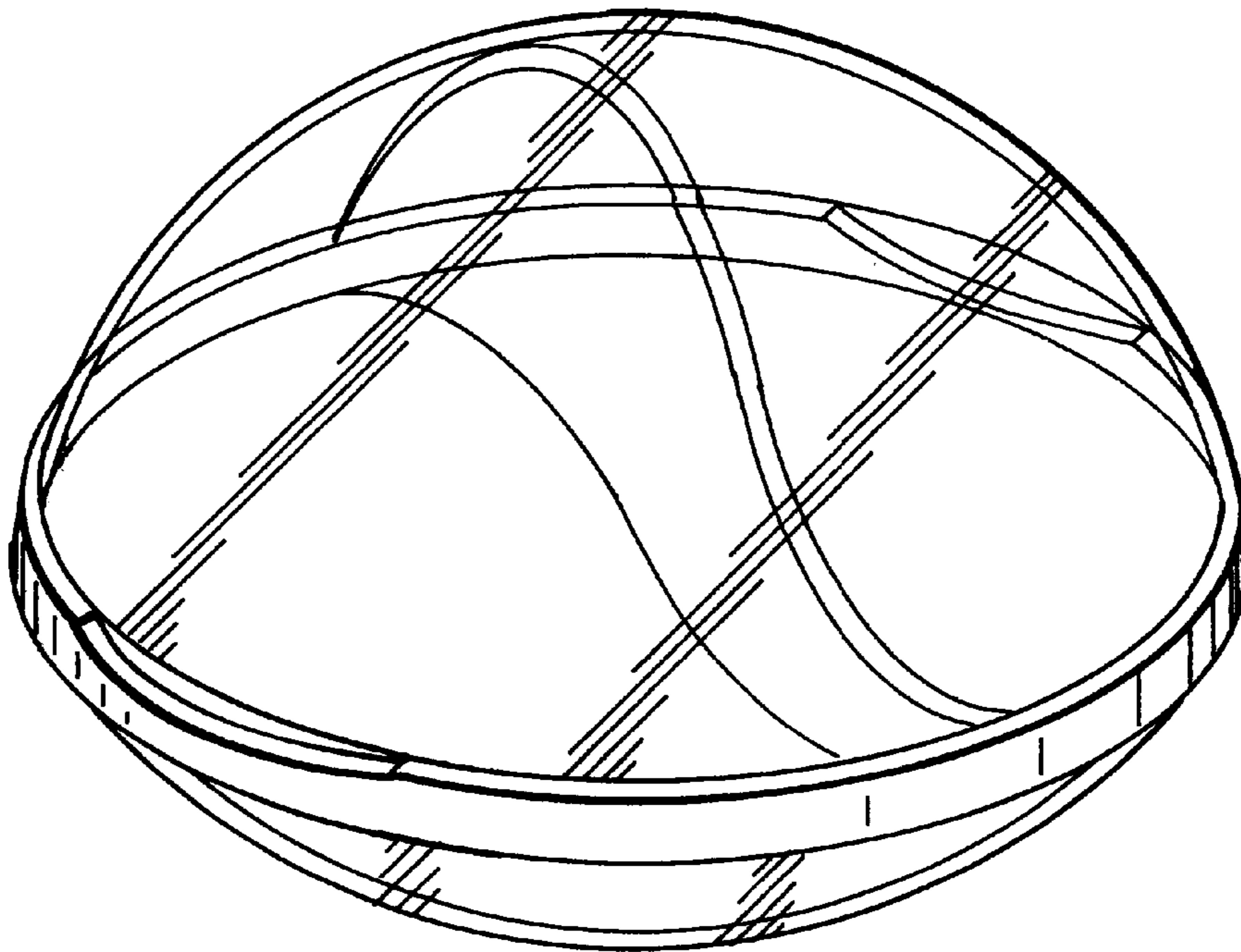


FIG. 1

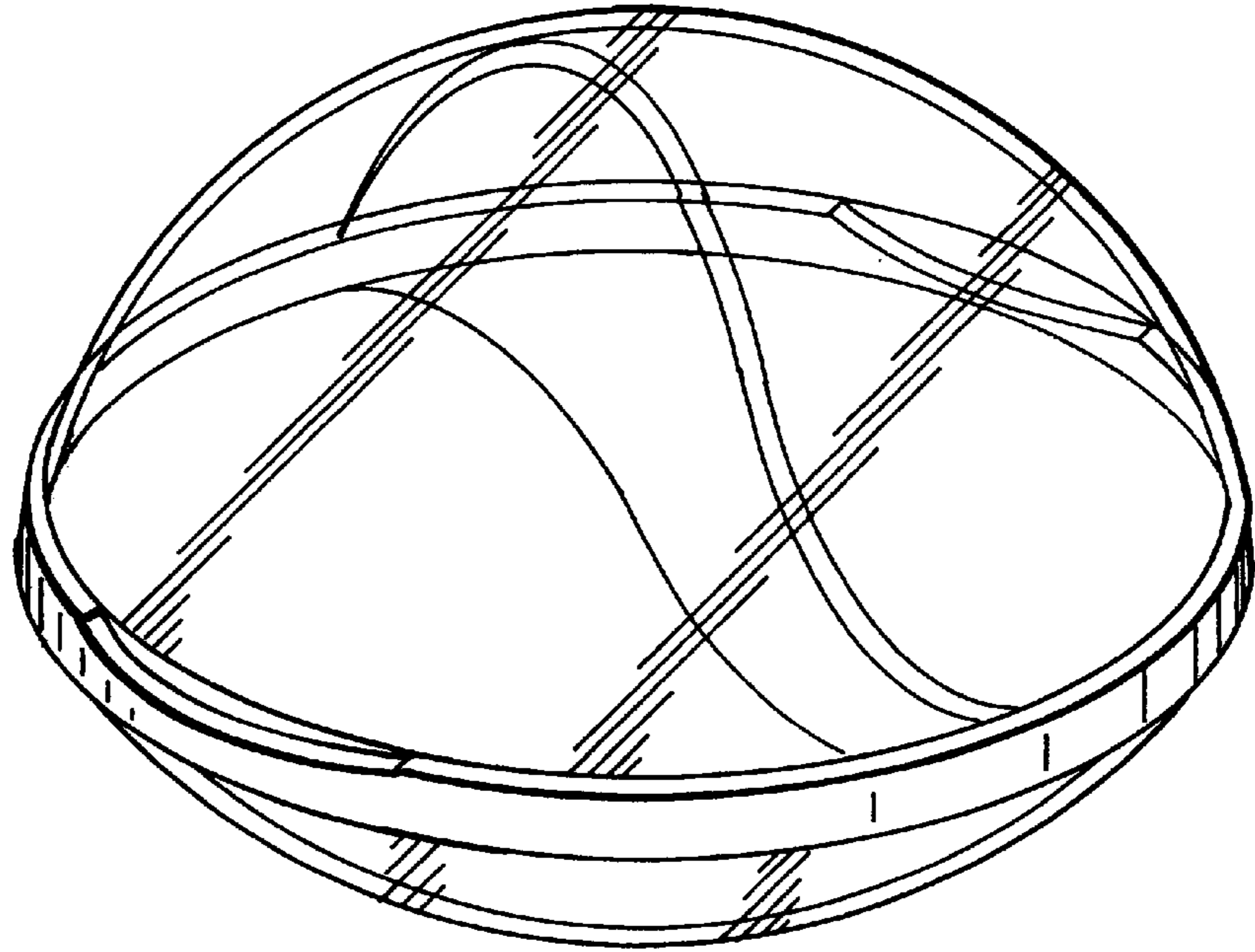


FIG. 2

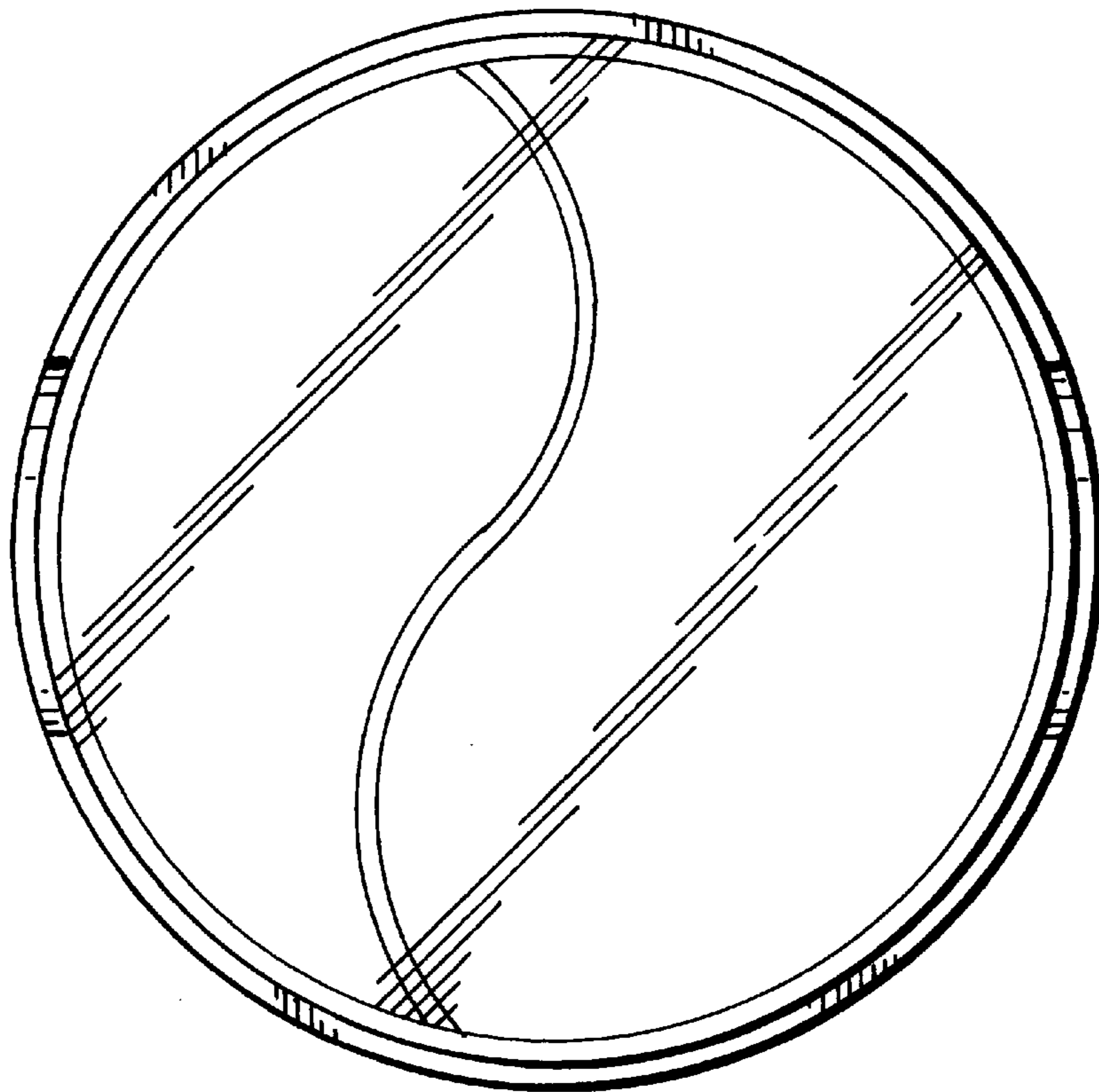


FIG. 3

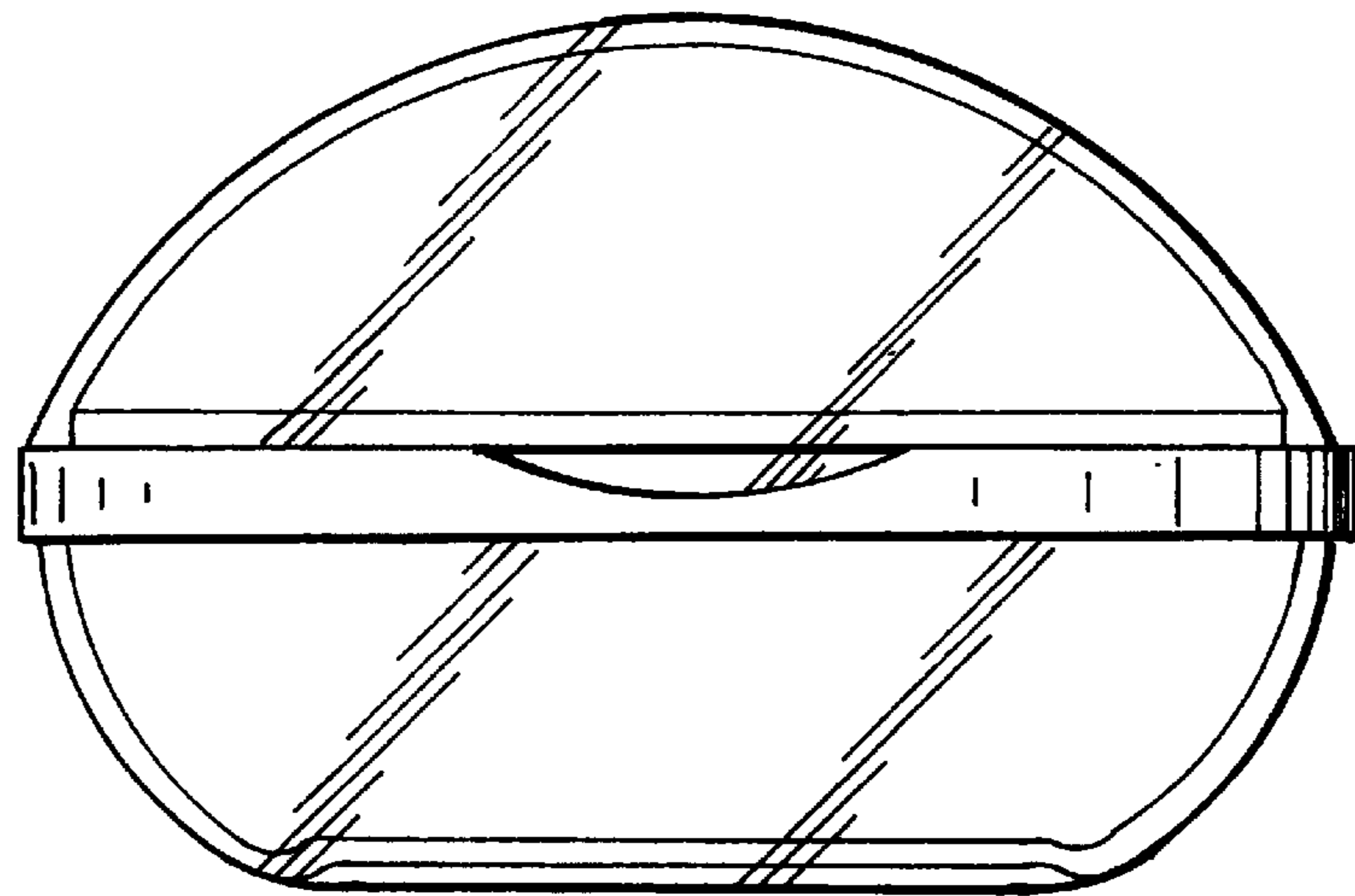
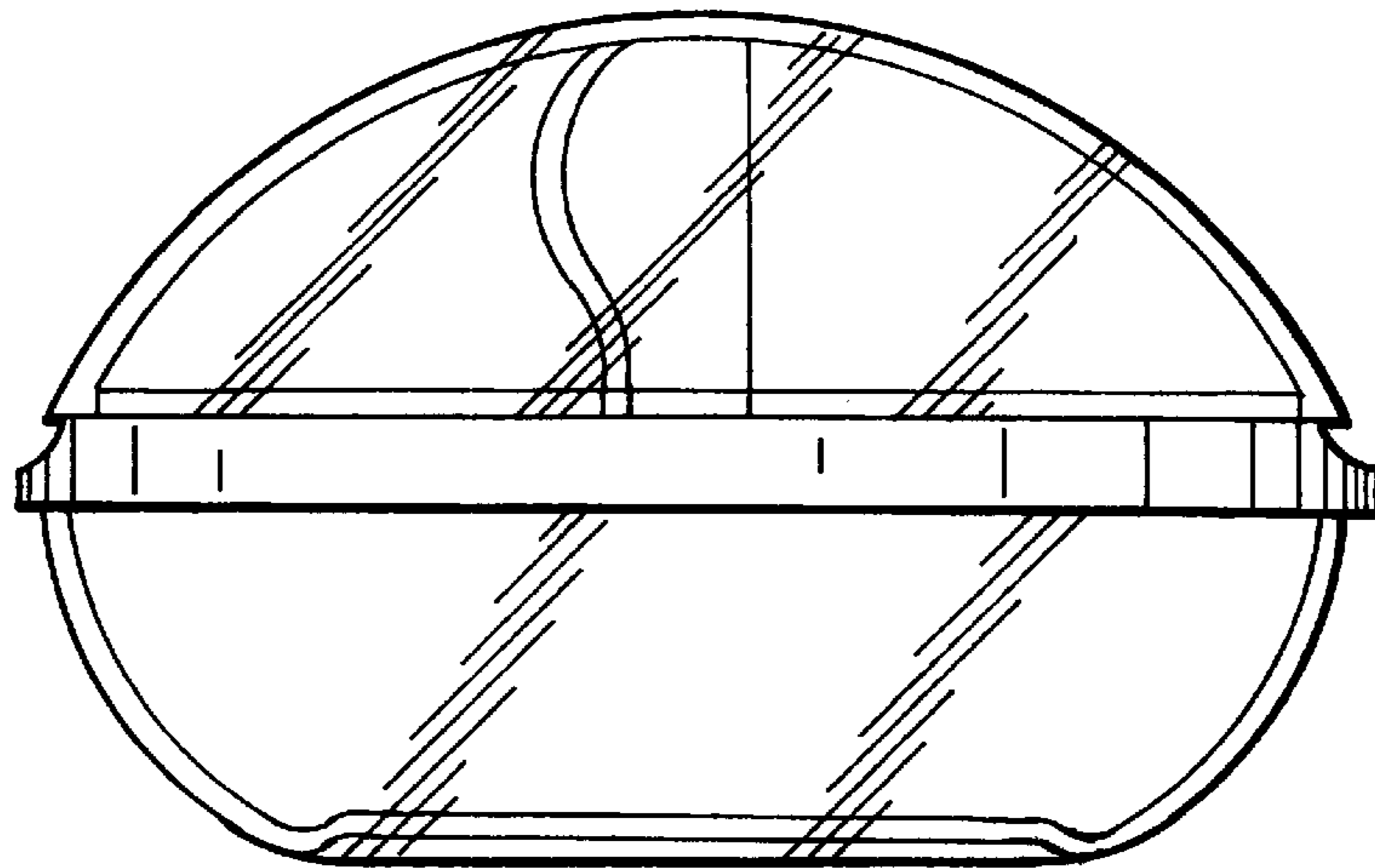


FIG. 4

FIG. 5

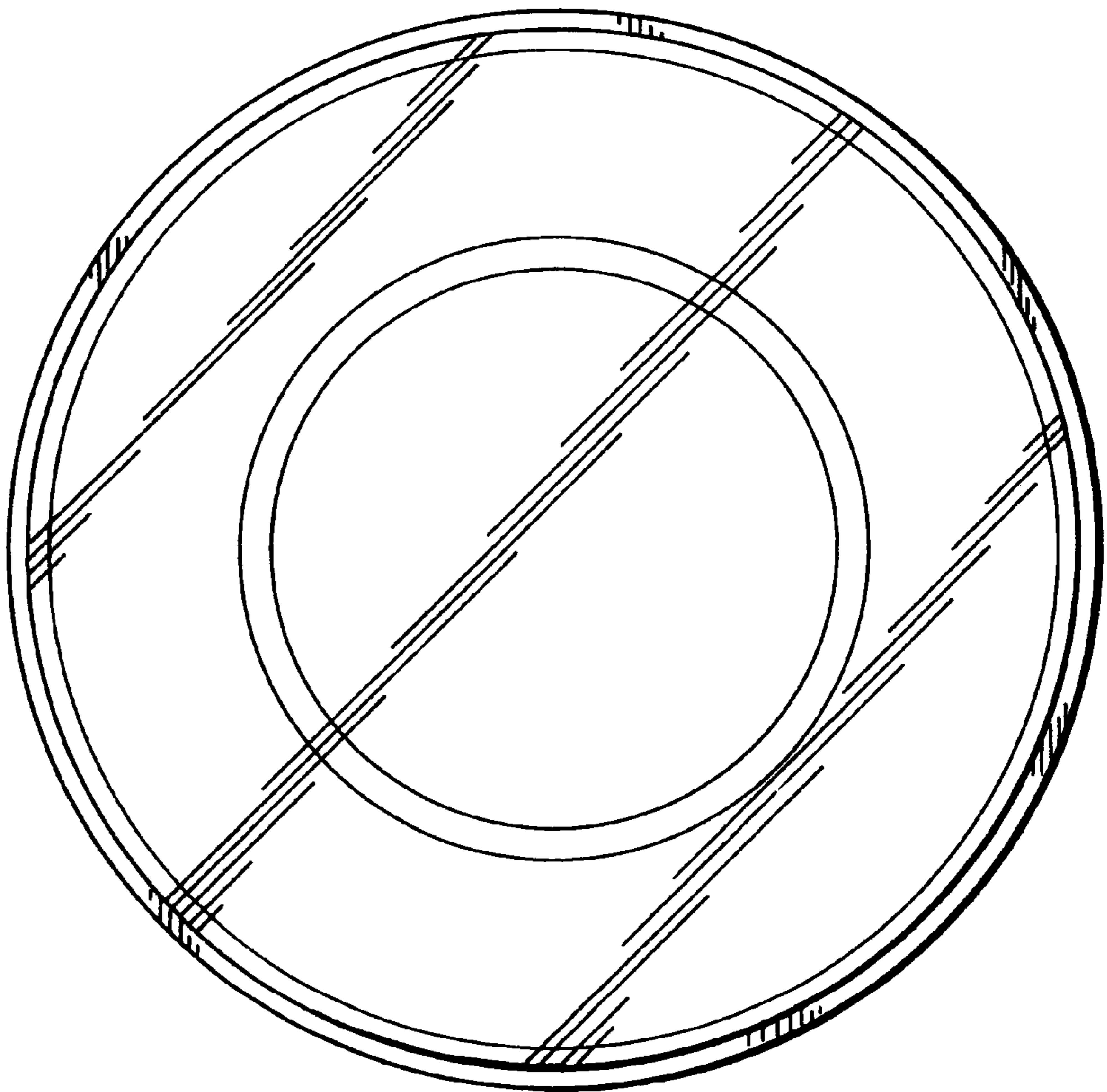


FIG. 6

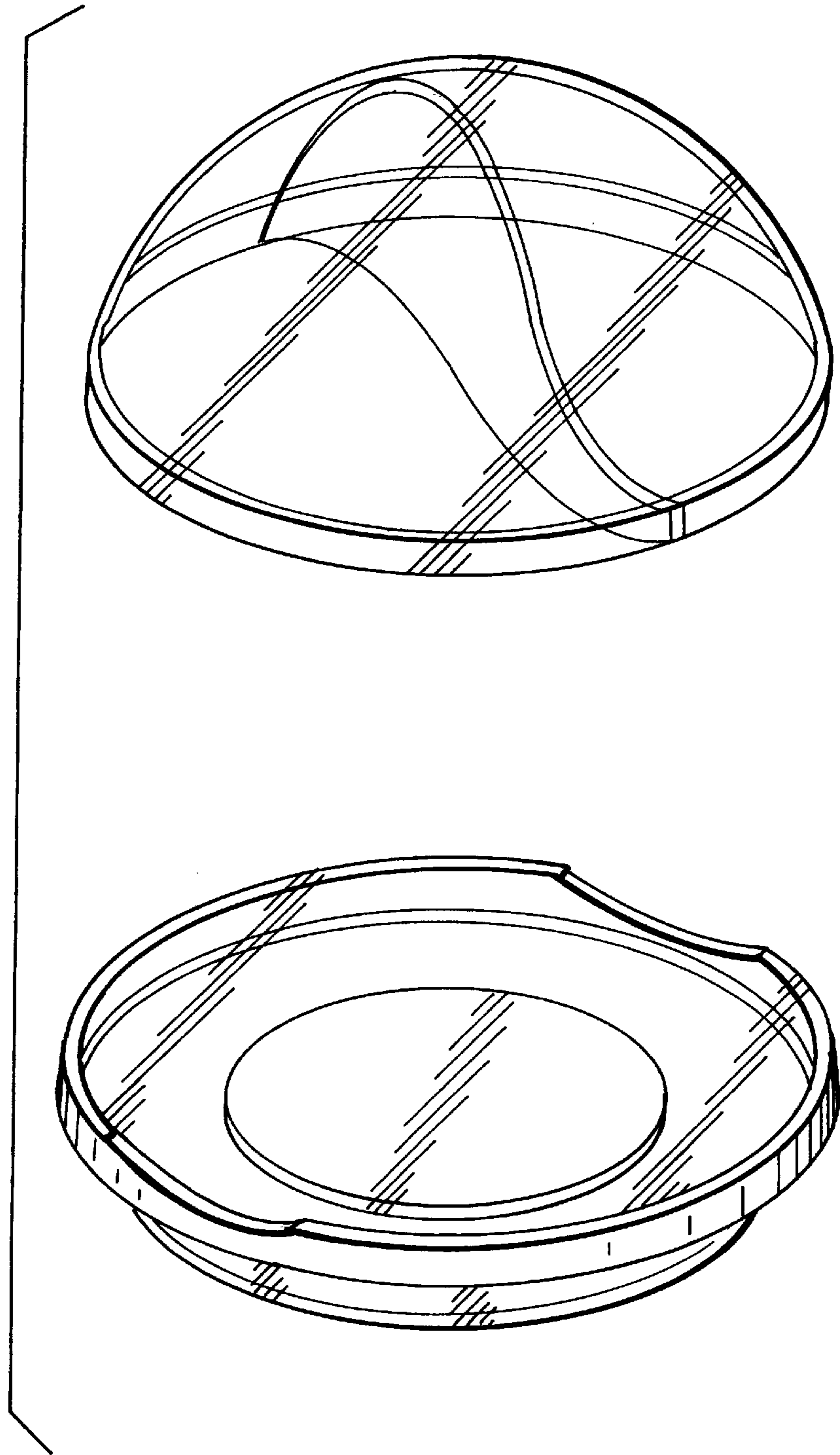


FIG. 7

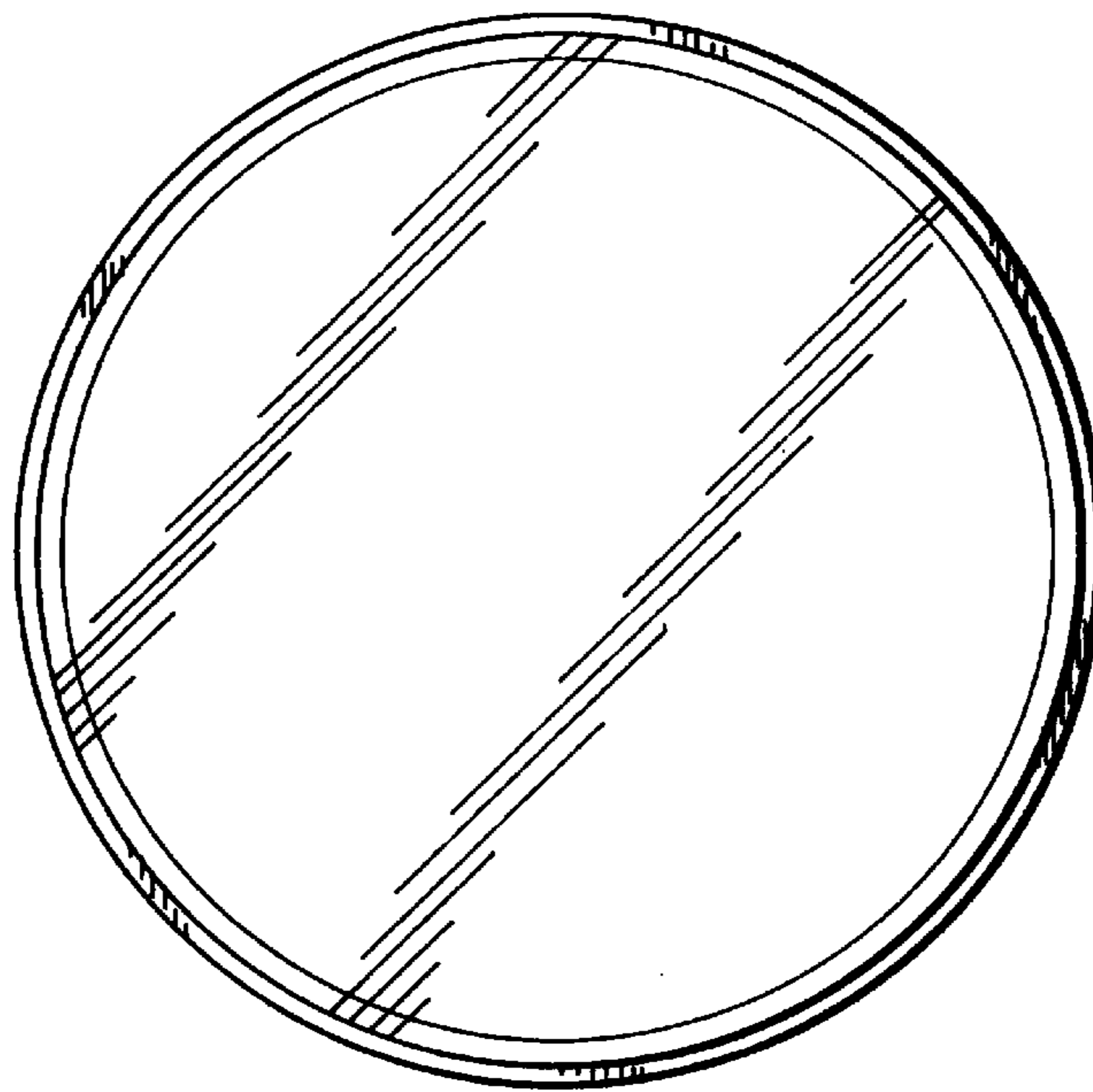
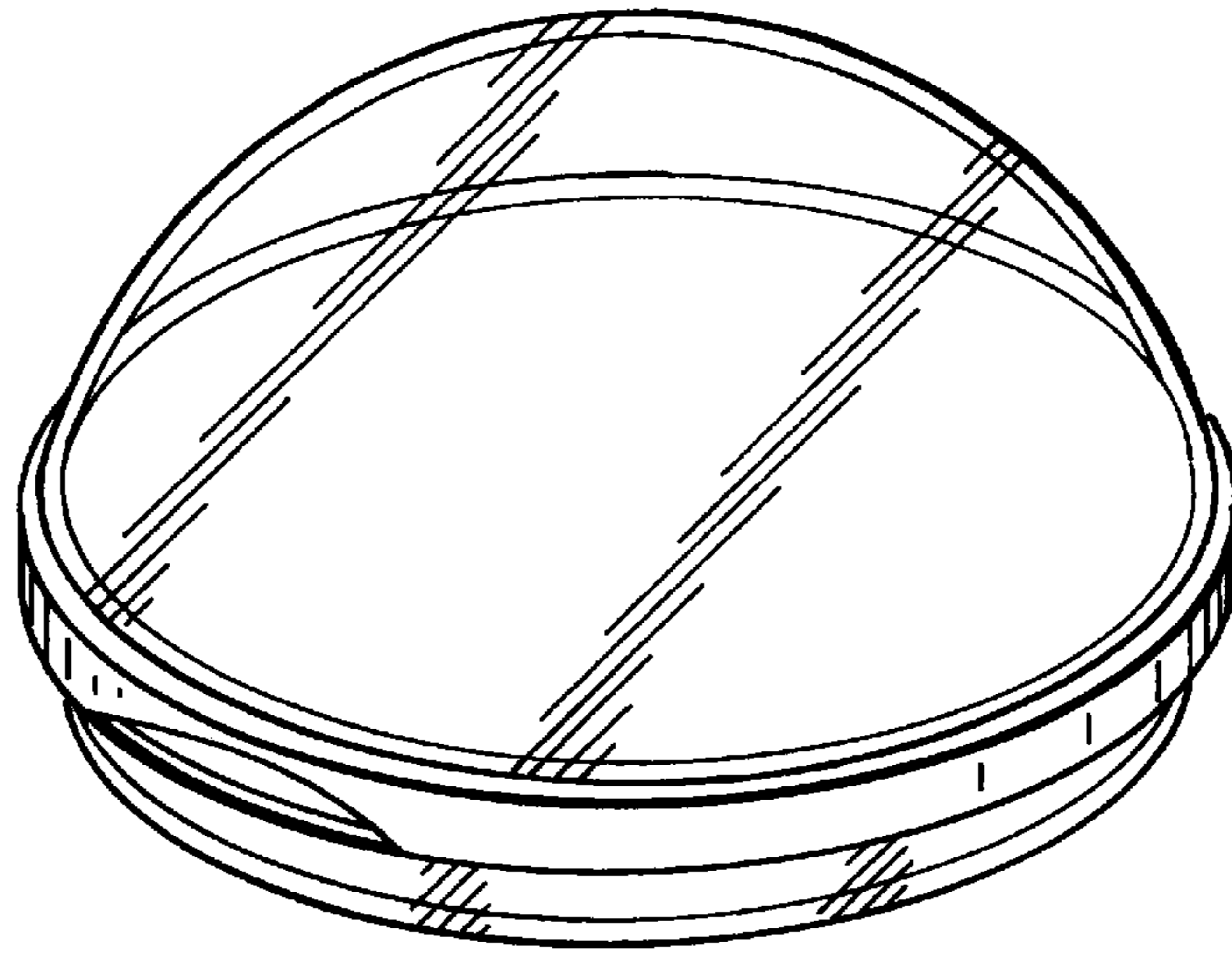


FIG. 8

FIG. 9

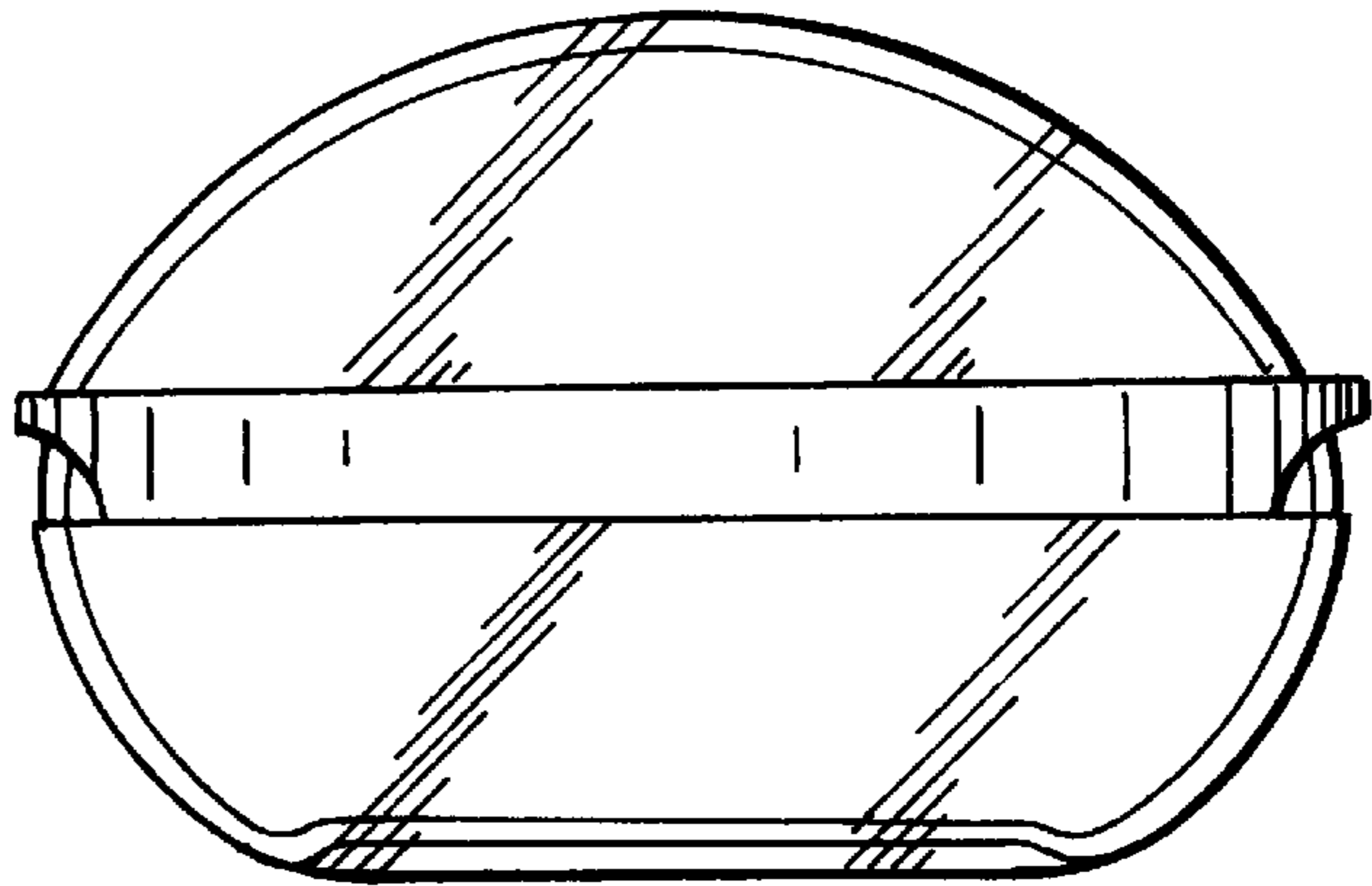


FIG. 10

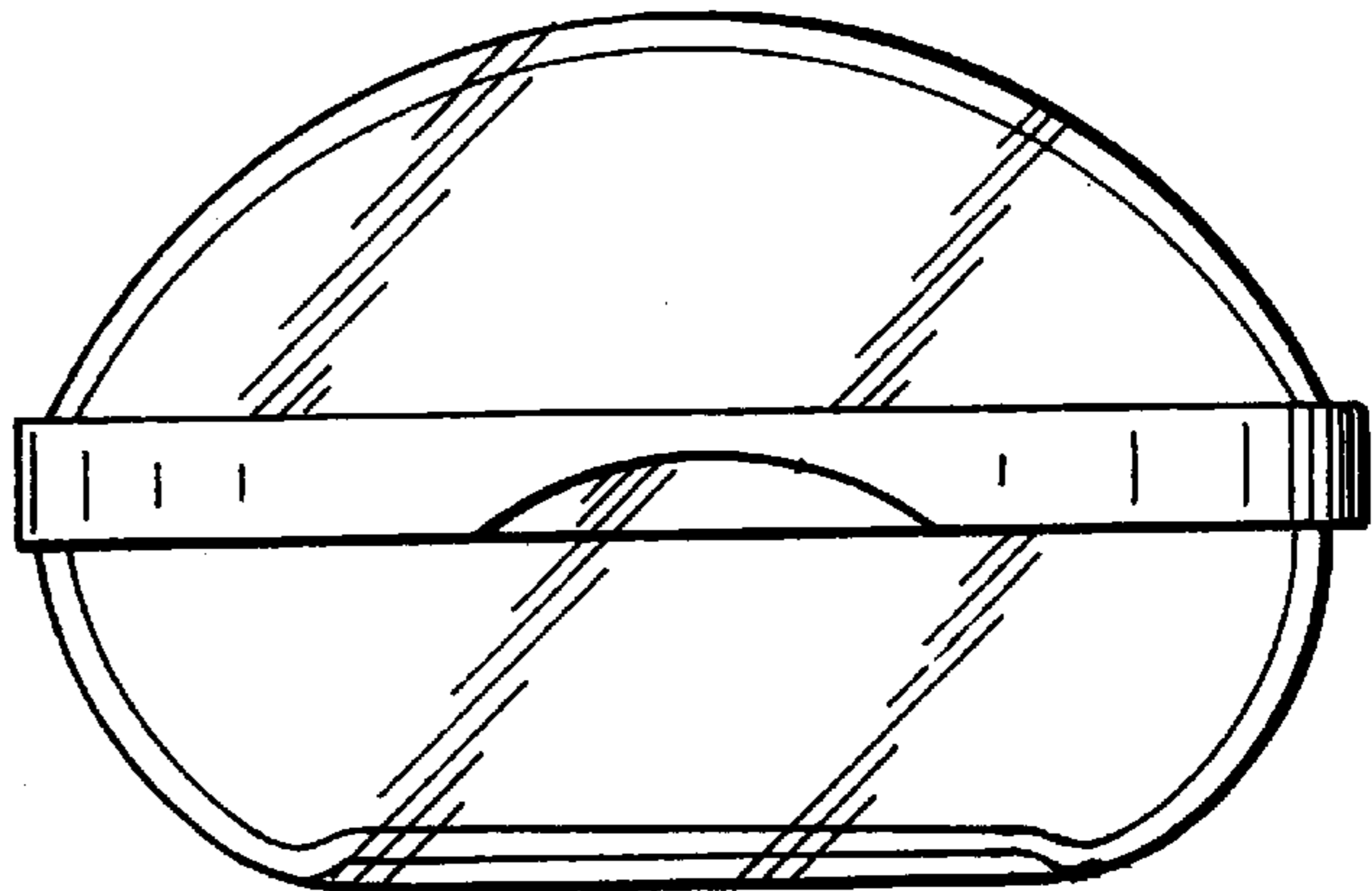


FIG. 11

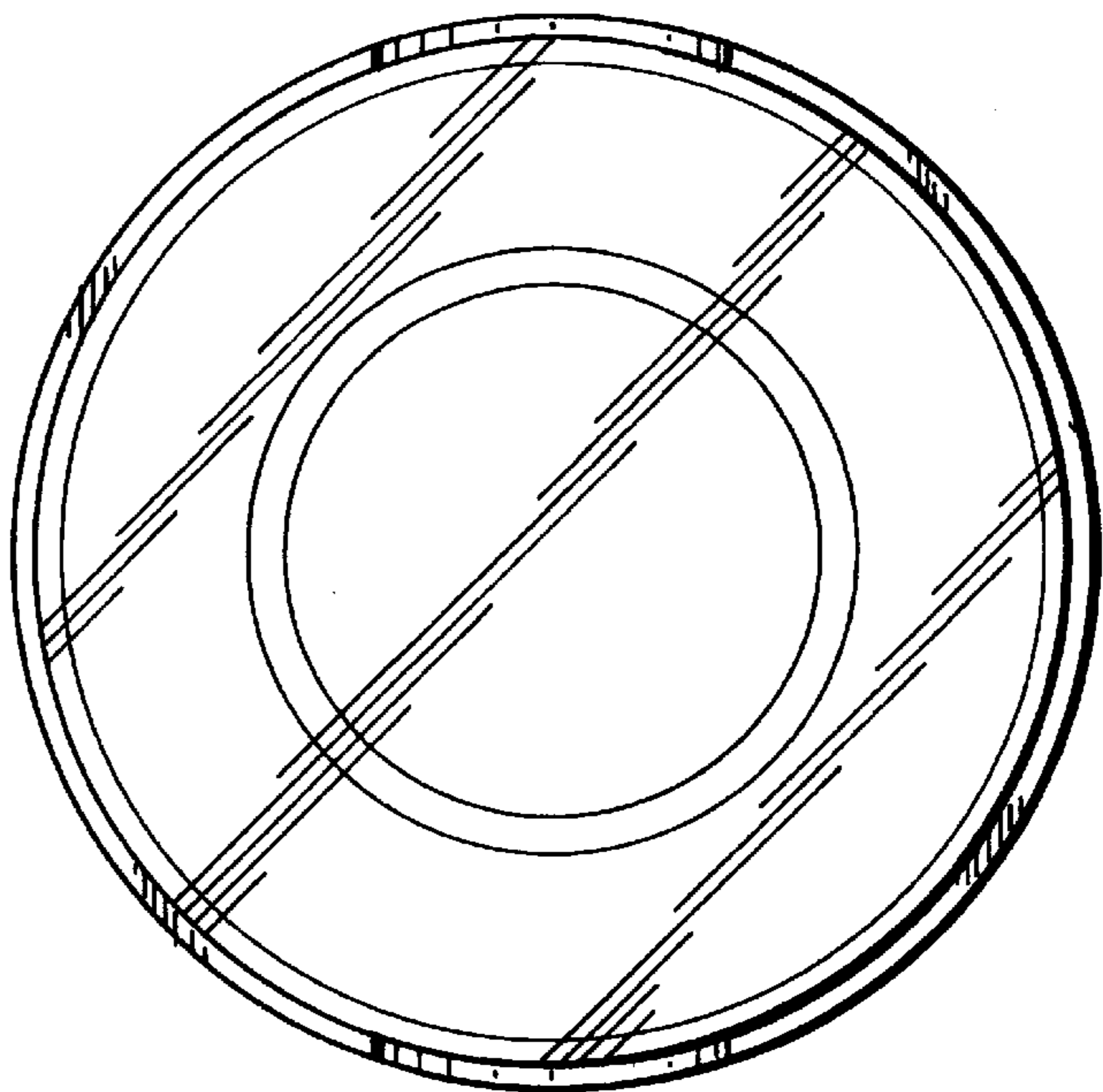


FIG. 12

