



US00D412104S

**United States Patent** [19]  
**Murakami**

[11] **Patent Number: Des. 412,104**

[45] **Date of Patent: \*\* Jul. 20, 1999**

[54] **JOINT**

[75] Inventor: **Takeyasu Murakami**, Shizuoka, Japan

[73] Assignee: **Yaaki Industrial Chemical Co., Ltd.**,  
Shizuoka, Japan

[\*\*] Term: **14 Years**

[21] Appl. No.: **29/096,916**

[22] Filed: **Nov. 23, 1998**

[51] **LOC (6) Cl.** ..... **08-08**

[52] **U.S. Cl.** ..... **D8/382**

[58] **Field of Search** ..... D8/382; 403/169-170,  
403/173-174, 205, 312, 177-178, 300,  
305-306; 211/182, 68

[56] **References Cited**

**U.S. PATENT DOCUMENTS**

- D. 375,451 11/1996 Ohkubo ..... D8/382
- D. 386,396 11/1997 Ookubo et al. .... D8/382

*Primary Examiner*—Holly Baynham  
*Attorney, Agent, or Firm*—Dellett and Walters

[57] **CLAIM**

The ornamental design for a joint, as shown and described.

**DESCRIPTION**

FIG. 1 is a front perspective view of a joint showing my new design;  
 FIG. 2 is a top plan view thereof;  
 FIG. 3 is a front elevational view thereof;  
 FIG. 4 is a rear elevational view thereof;  
 FIG. 5 is a bottom end view thereof;  
 FIG. 6 is a right side elevational view thereof;  
 FIG. 7 is a sectional view along line 7—7 of FIG. 3  
 FIG. 8 is a sectional view along line 8—8 of FIG. 3; and,  
 FIG. 9 is a sectional view along line 9—9 of FIG. 3.  
 The left side elevation is a mirror image of the right side elevation shown in FIG. 6.

**1 Claim, 5 Drawing Sheets**

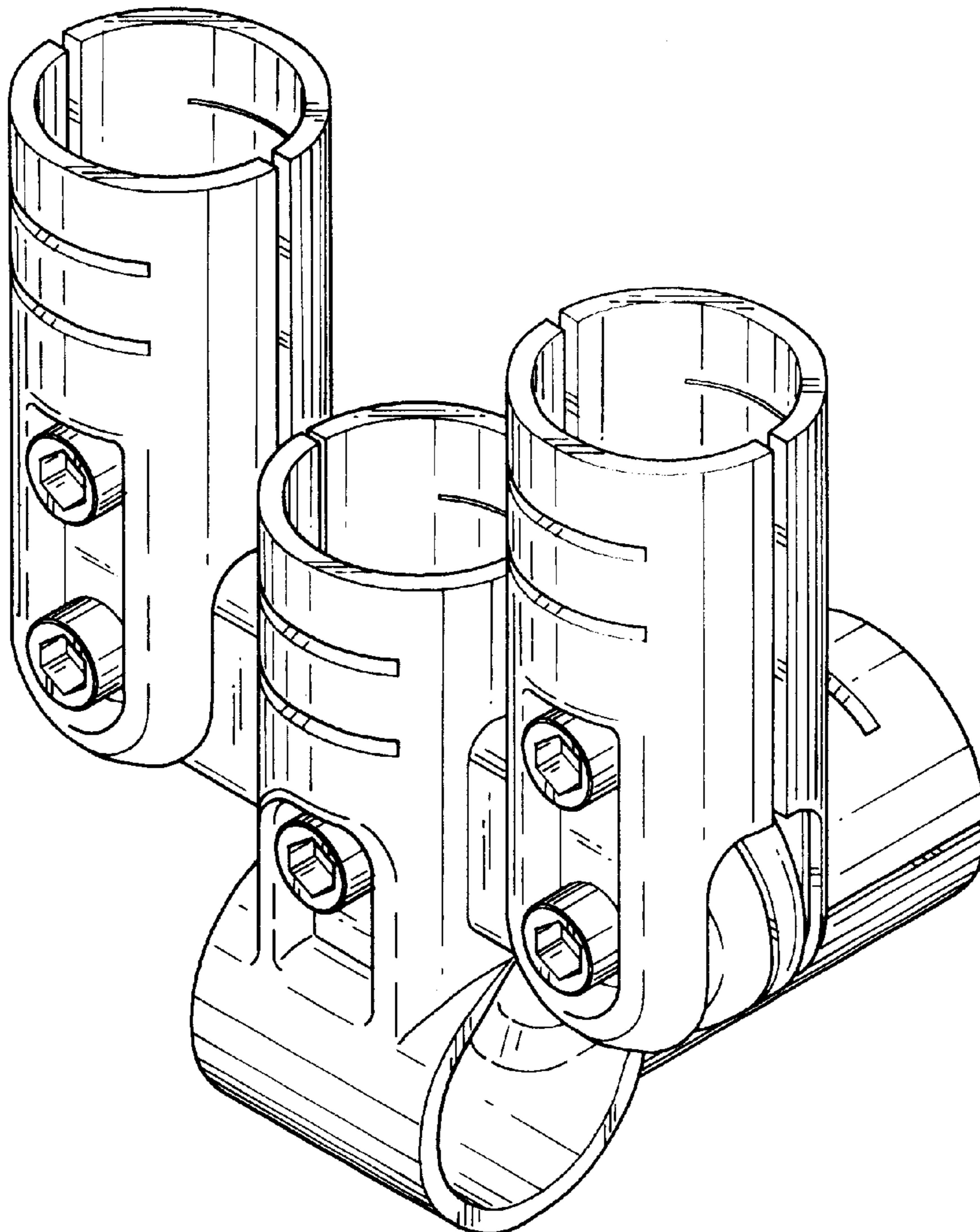


FIG. 1

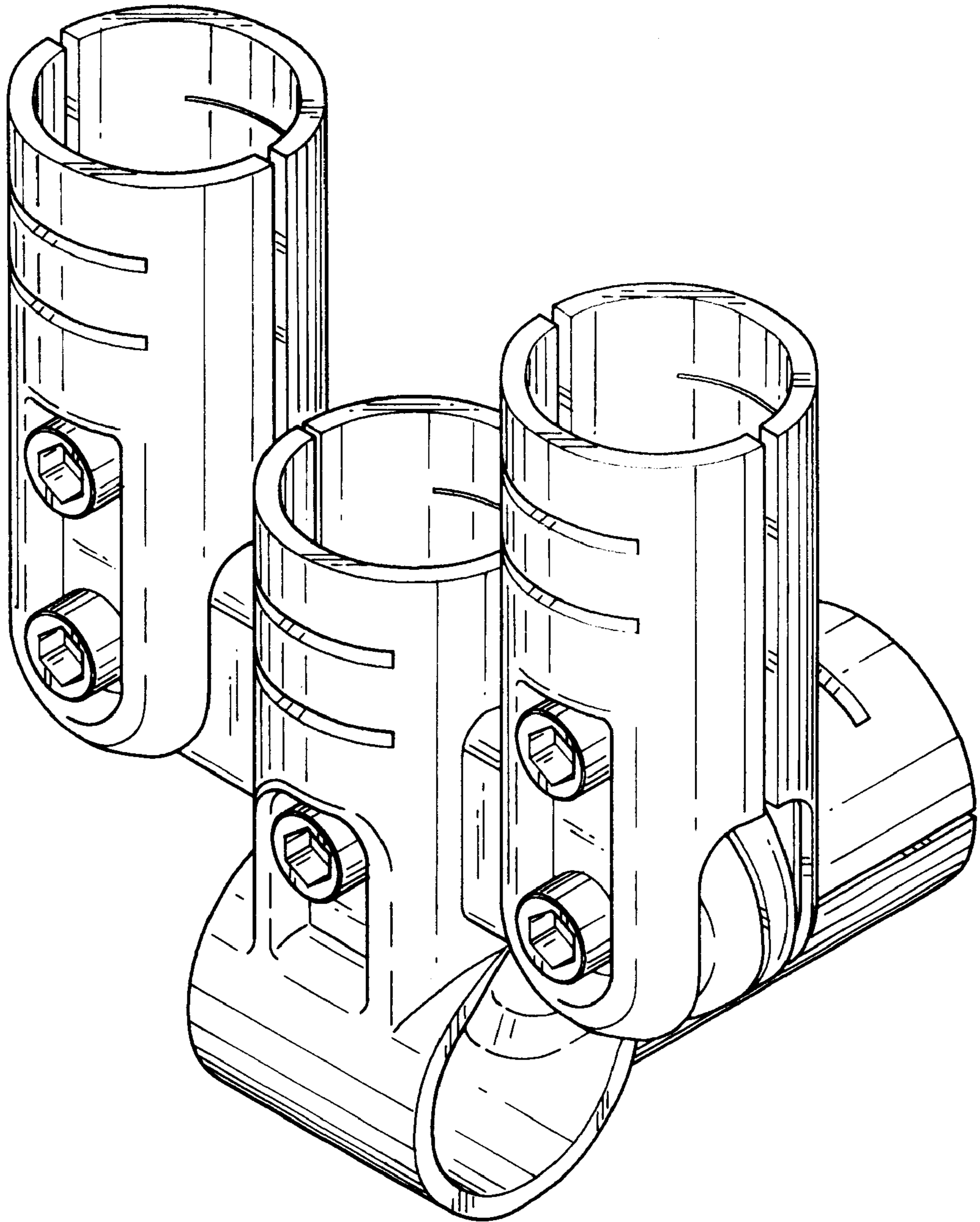


FIG. 2

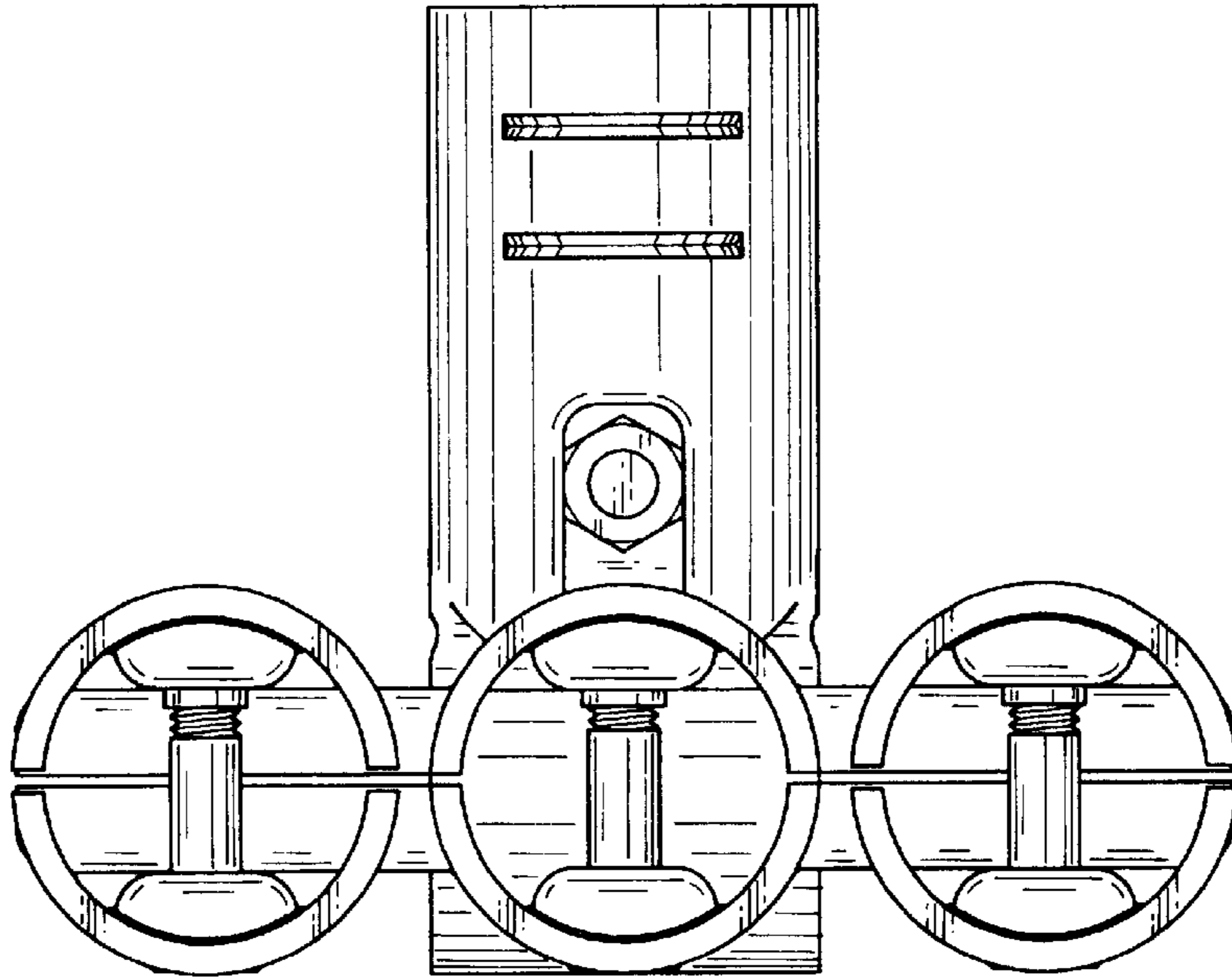


FIG. 3

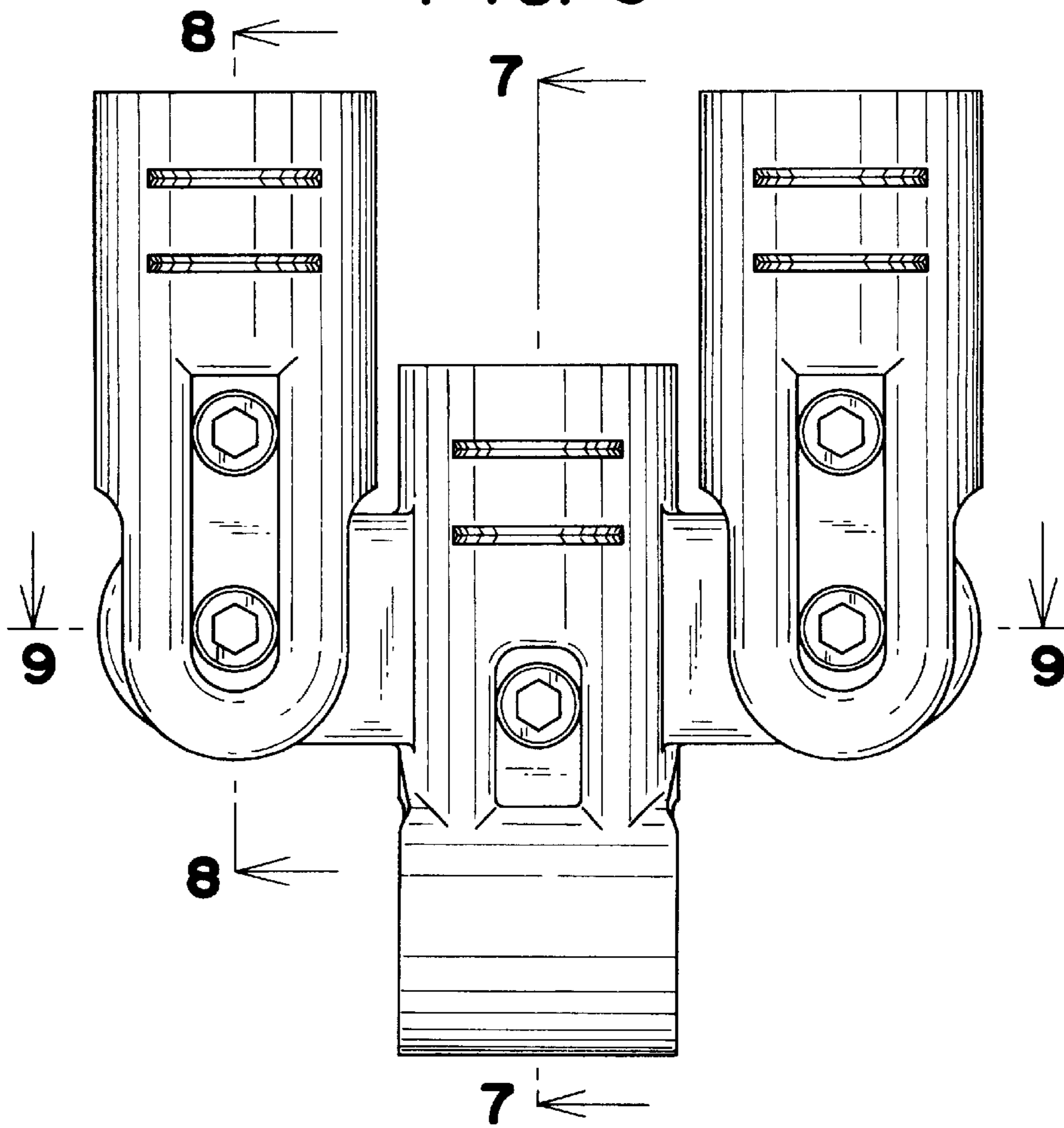


FIG. 4

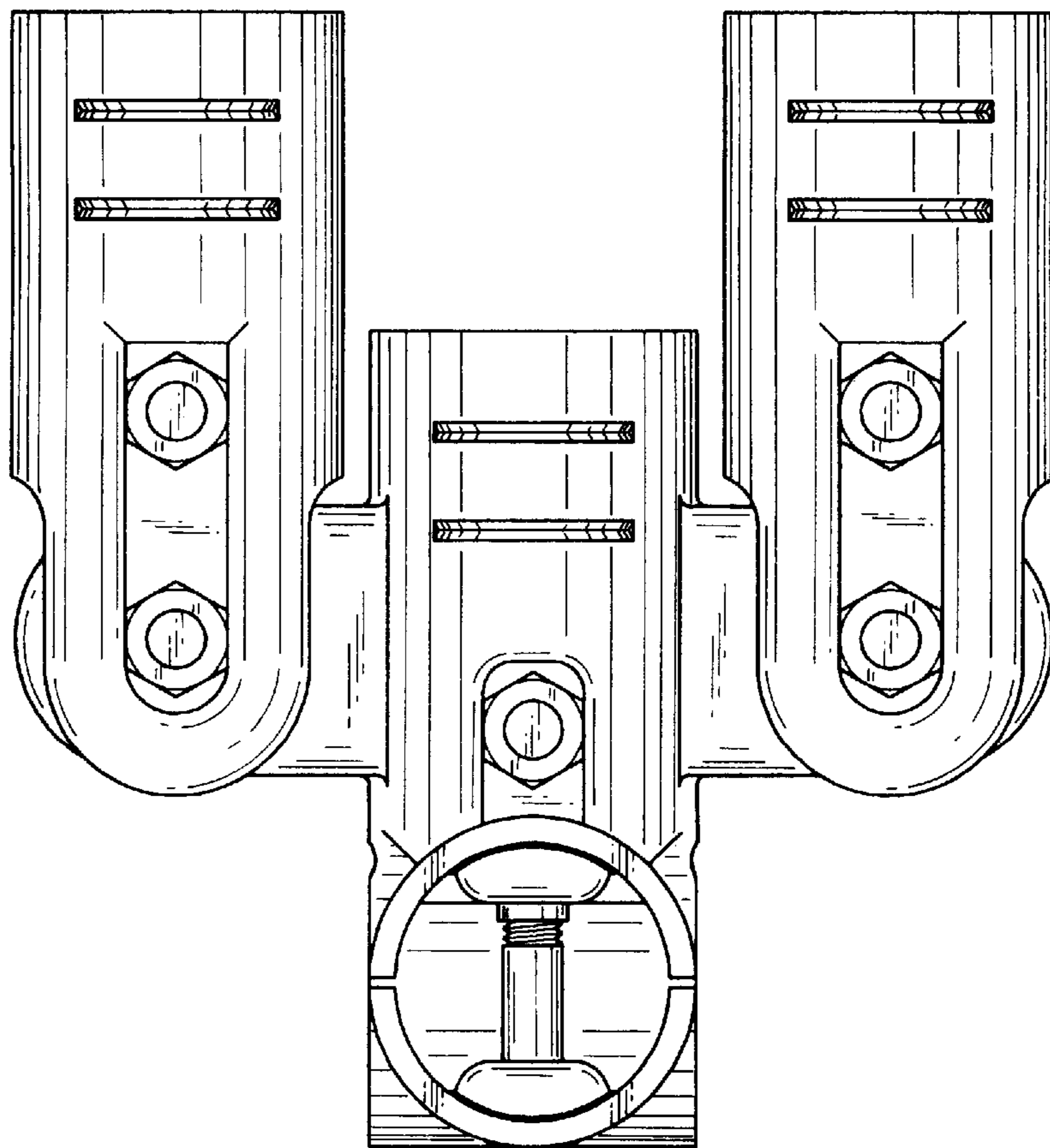


FIG. 5

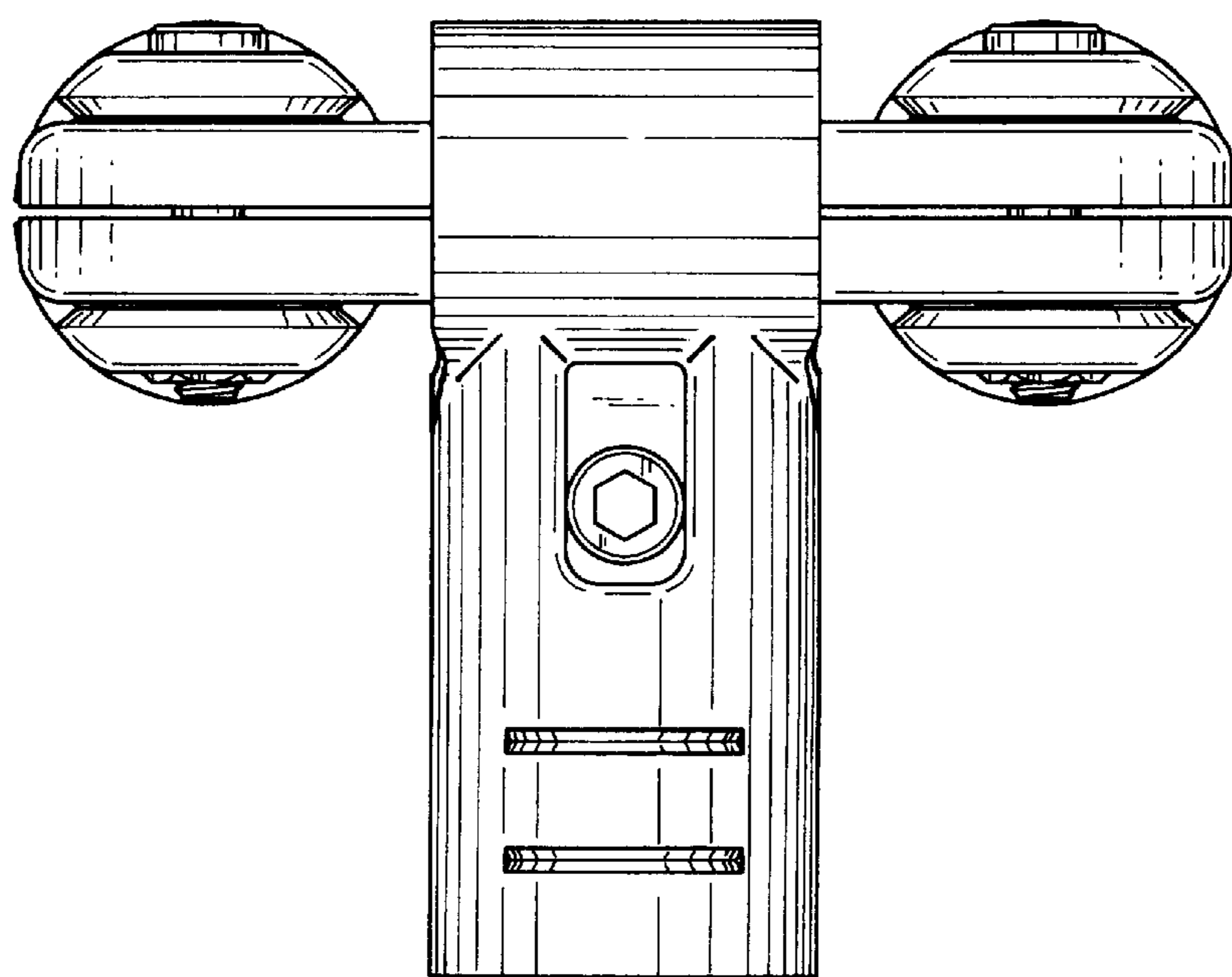


FIG. 6

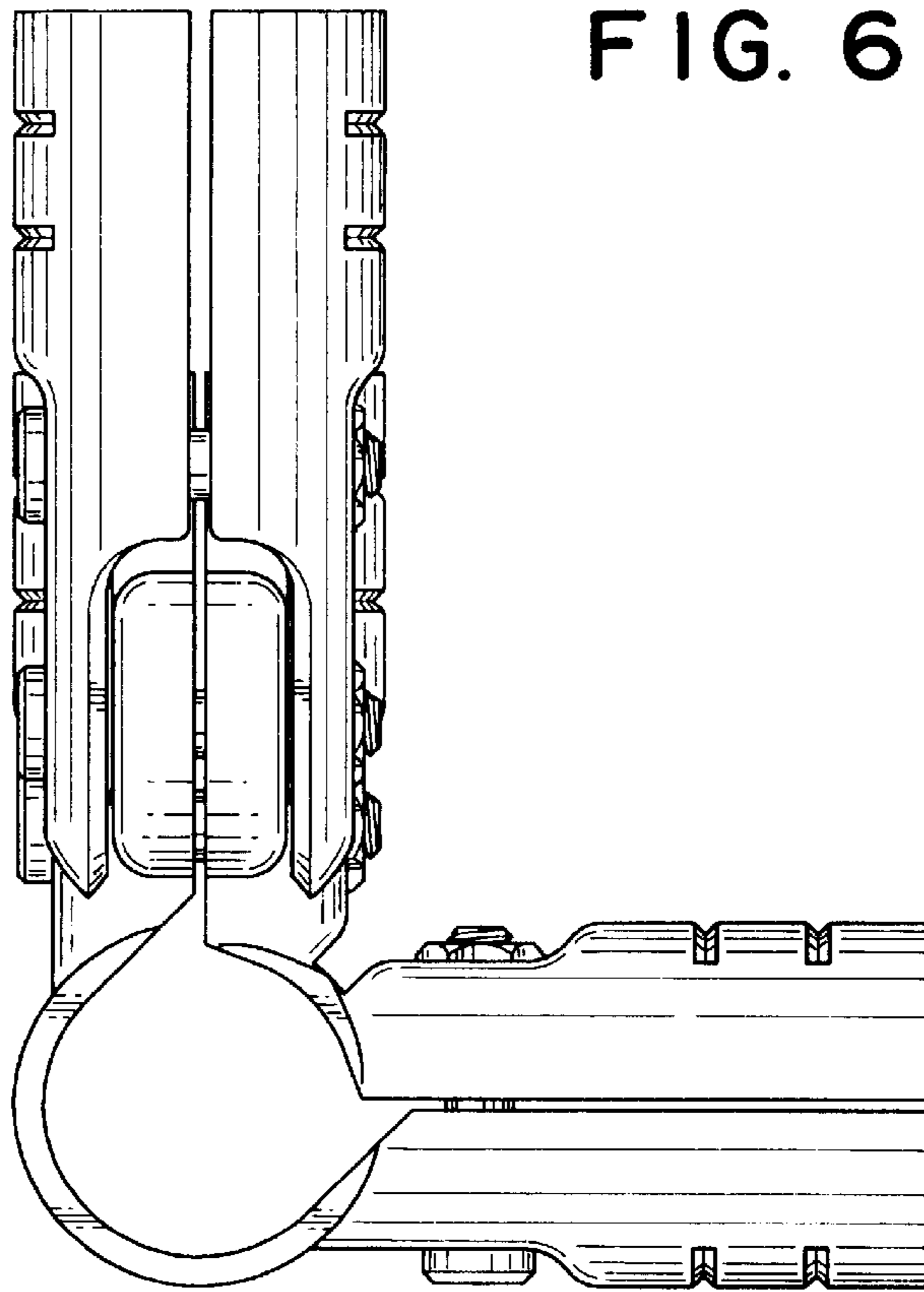


FIG. 7

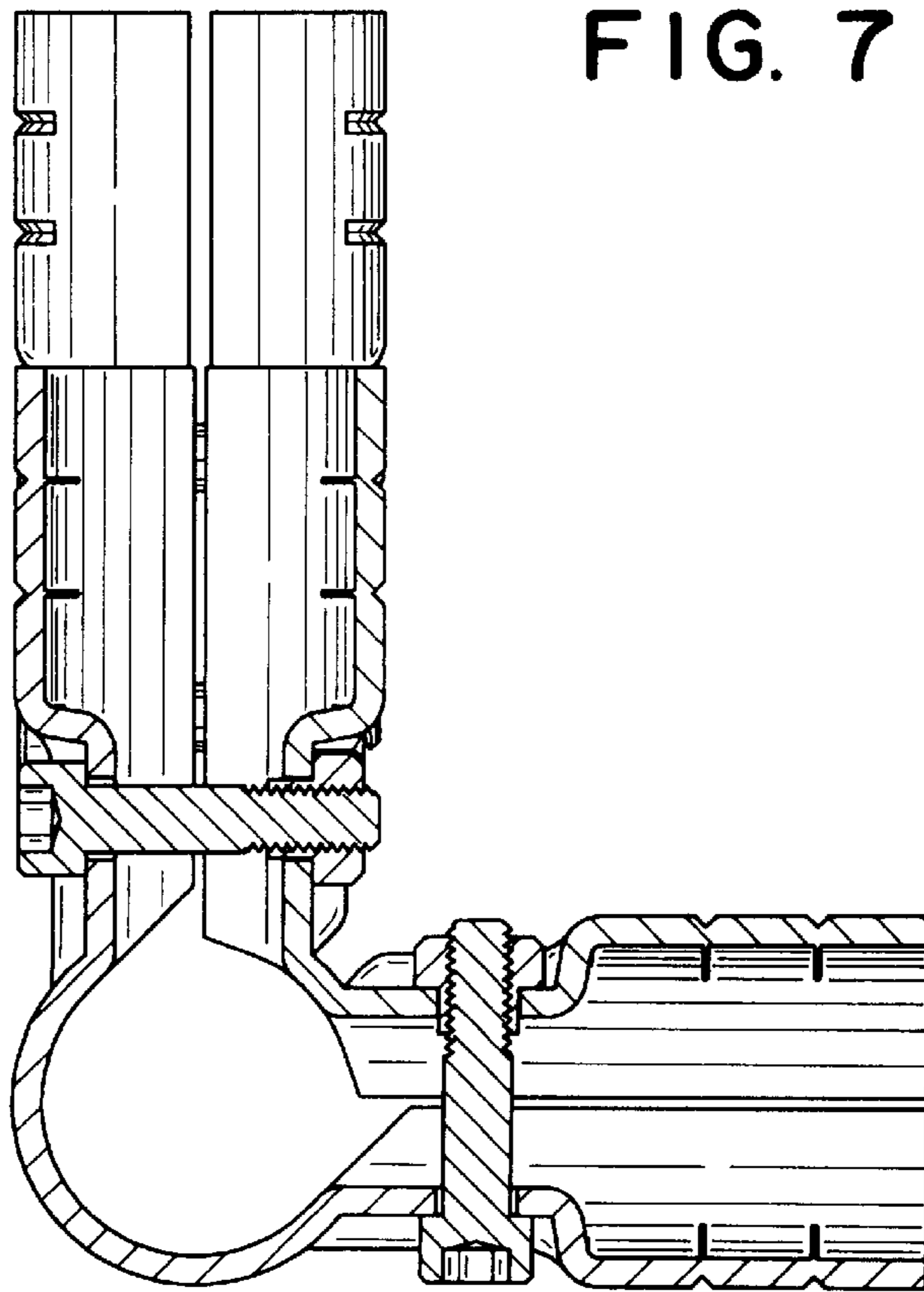


FIG. 8

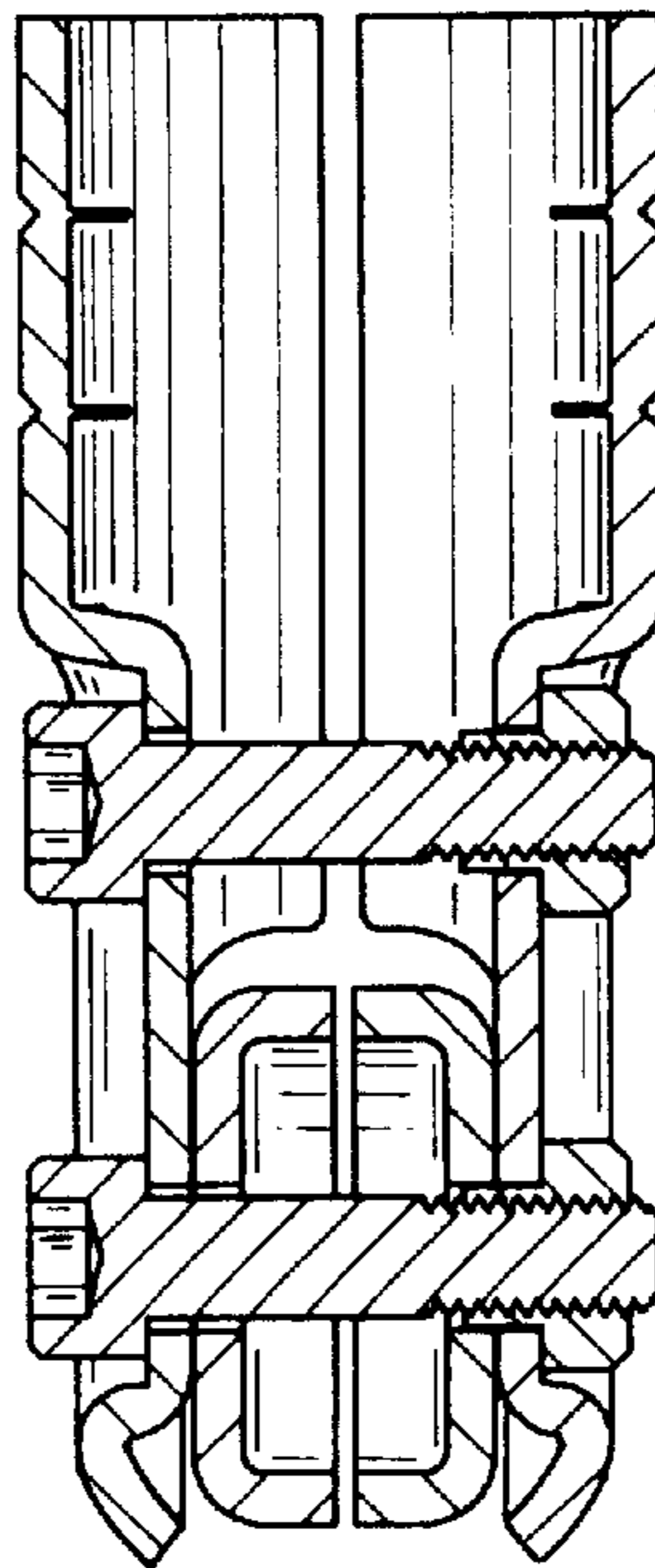
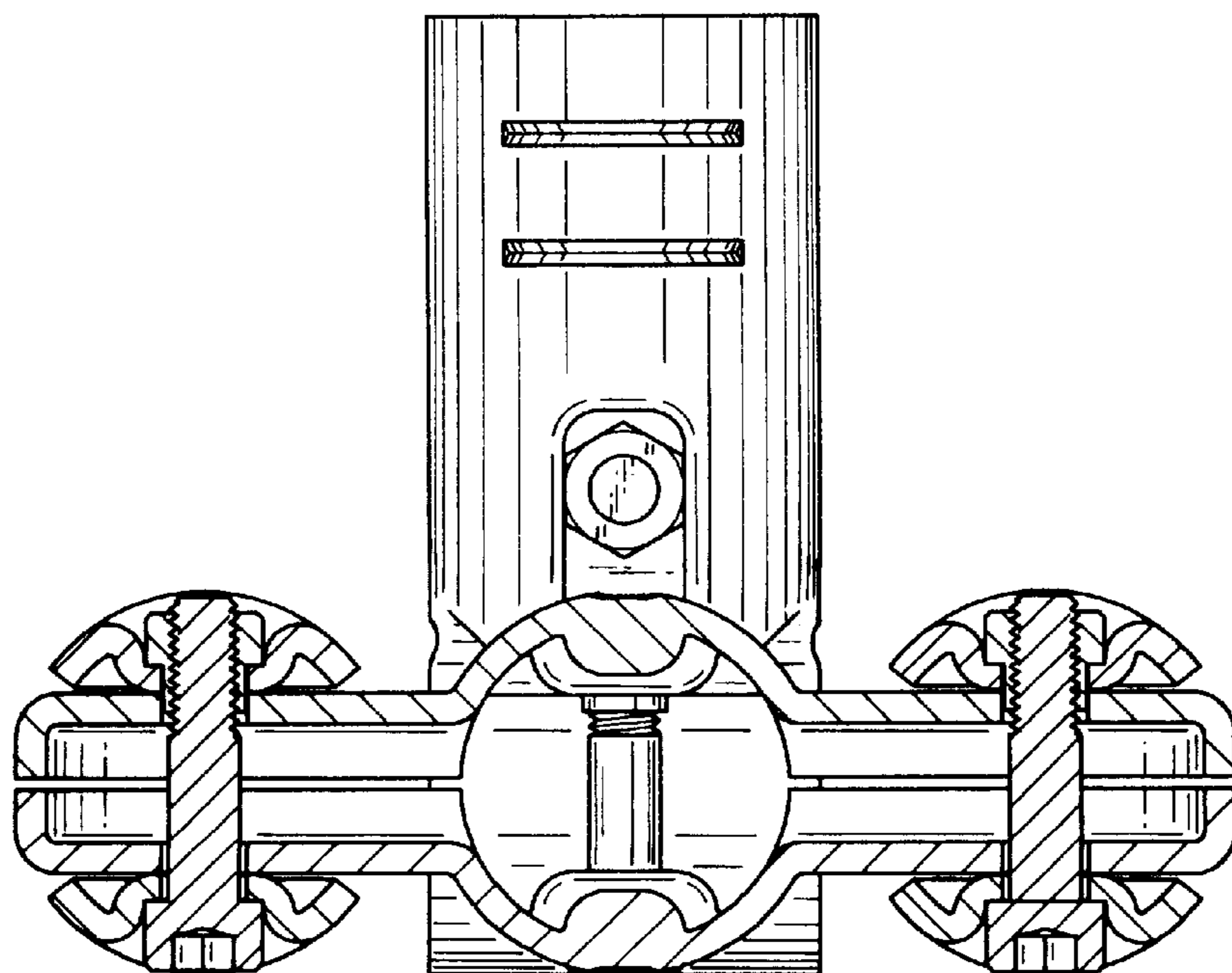


FIG. 9



UNITED STATES PATENT AND TRADEMARK OFFICE  
**CERTIFICATE OF CORRECTION**

PATENT NO. : **Des. 412,104**  
DATED : **July 20, 1999**  
INVENTOR(S) : **TAKEYASU MURAKAMI**

It is certified that error appears in the above-identified patent and that said Letters Patent is hereby corrected as shown below:

**On the cover page, Box 73, the Assignee**

**"Yaaki Industrial Chemical Co., Ltd." should be --Yazaki Industrial Chemical Co., Ltd.--**

Signed and Sealed this  
Sixth Day of June, 2000



Q. TODD DICKINSON

*Director of Patents and Trademarks*

*Attest:*

*Attesting Officer*