



US00D412101S

United States Patent [19]
Murakami

[11] **Patent Number: Des. 412,101**
[45] **Date of Patent: ** Jul. 20, 1999**

[54] **JOINT**

D. 386,396 11/1997 Ookubo et al. D8/382

[75] Inventor: **Takeyasu Murakami**, Shizuoka, Japan

Primary Examiner—Holly Baynham
Attorney, Agent, or Firm—Dellett and Walters

[73] Assignee: **Yazaki Industrial Chemical Co., Ltd.**,
Shizuoka, Japan

[57] **CLAIM**

[**] Term: **14 Years**

The ornamental design for a joint, as shown and described.

[21] Appl. No.: **29/096,913**

DESCRIPTION

[22] Filed: **Nov. 23, 1998**

FIG. 1 is a front perspective view of a joint showing my new design;

[51] **LOC (6) Cl.** **08-08**

FIG. 2 is a top plan view thereof;

[52] **U.S. Cl.** **D8/382**

FIG. 3 is a front elevational view thereof;

[58] **Field of Search** D8/382; 403/169-170,
403/173-174, 205, 312, 177-178, 300,
305-306; 211/182, 68

FIG. 4 is a rear elevational view thereof;

FIG. 5 is a bottom end view thereof;

FIG. 6 is a right side elevational view thereof;

FIG. 7 is a left side elevational view thereof;

FIG. 8 is a sectional view along line 8-8 of FIG. 3; and,

FIG. 9 is a sectional view along line 9-9 of FIG. 3.

[56] **References Cited**

U.S. PATENT DOCUMENTS

D. 375,451 11/1996 Ookubo D8/382

1 Claim, 5 Drawing Sheets

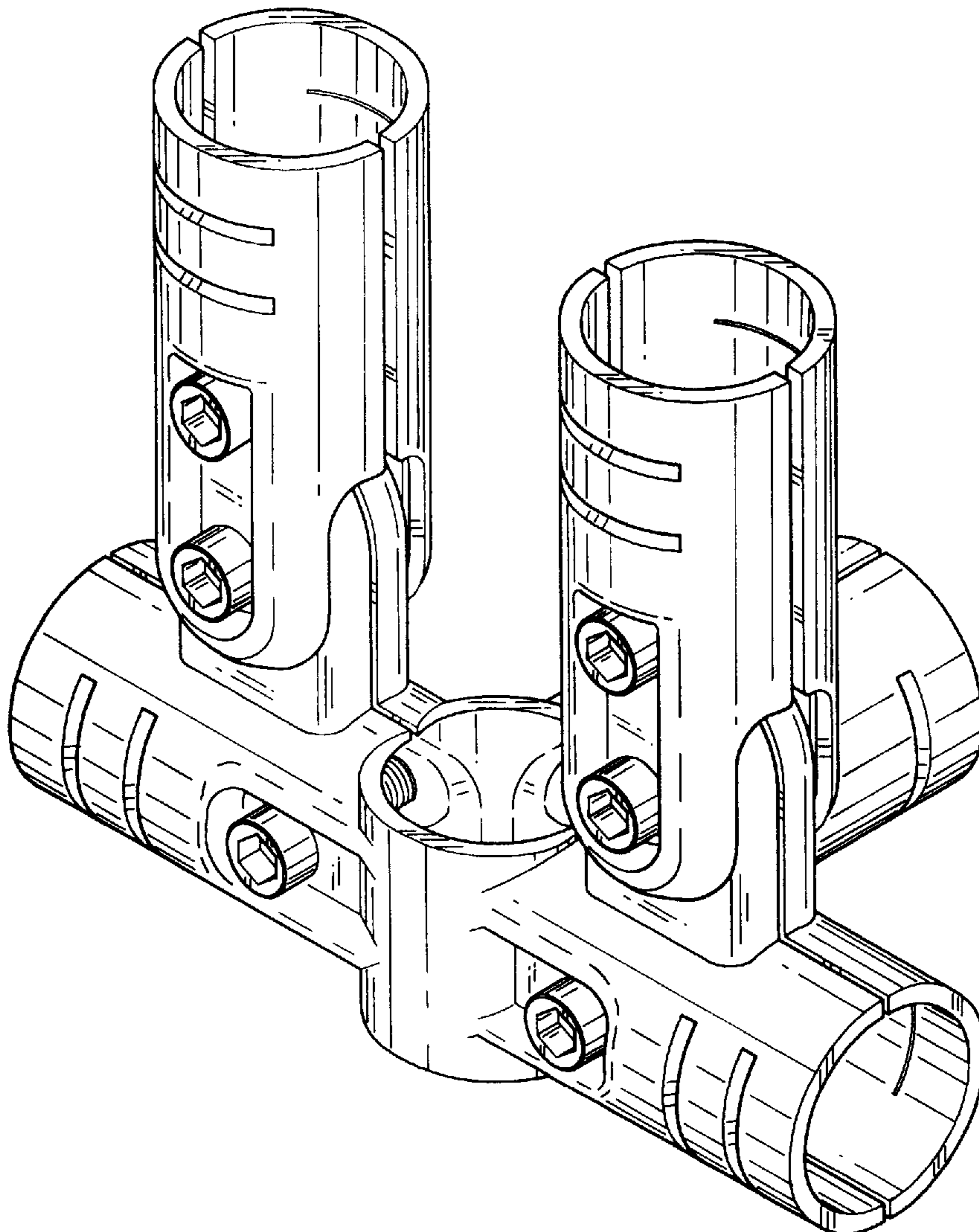


FIG. 1

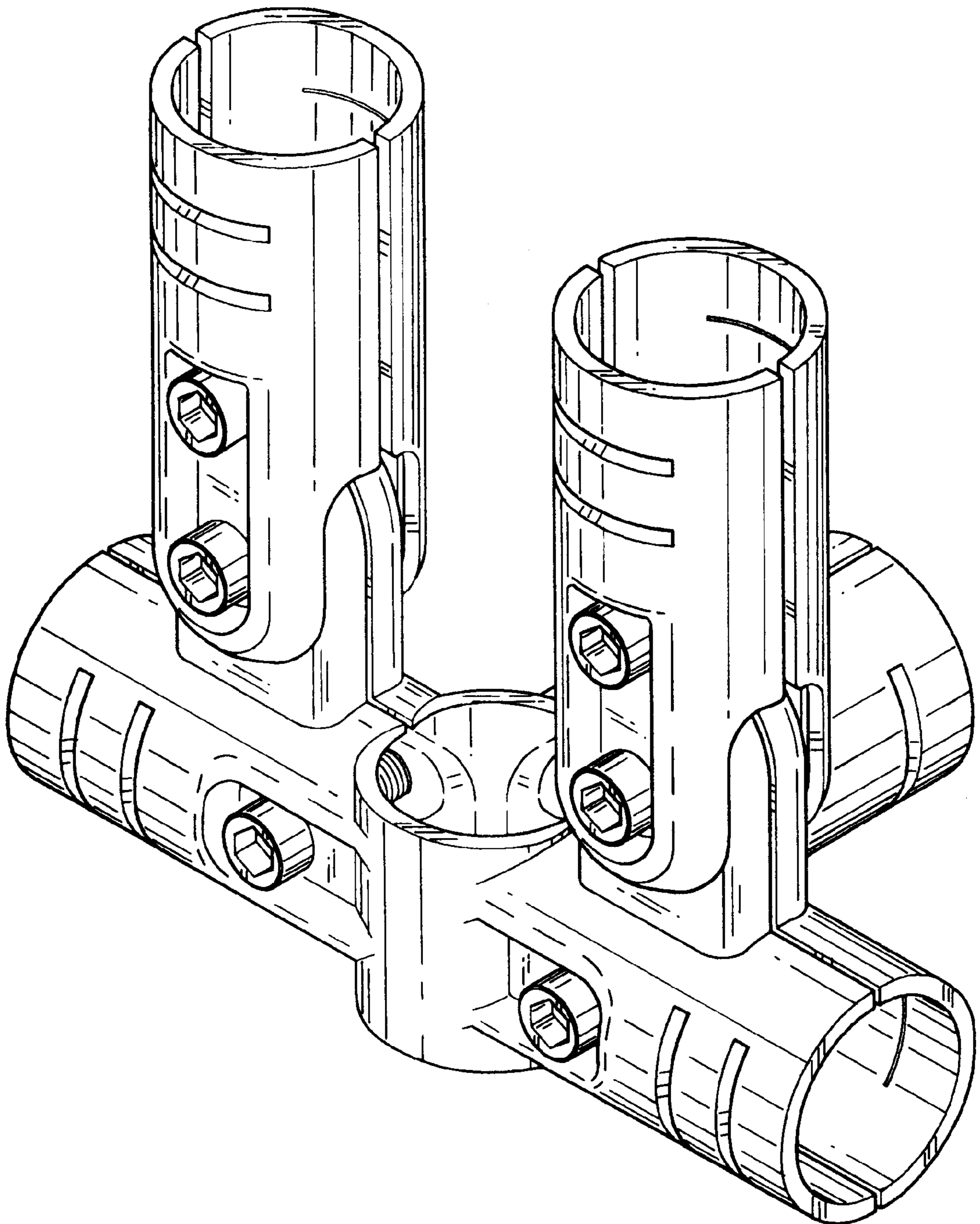


FIG. 2

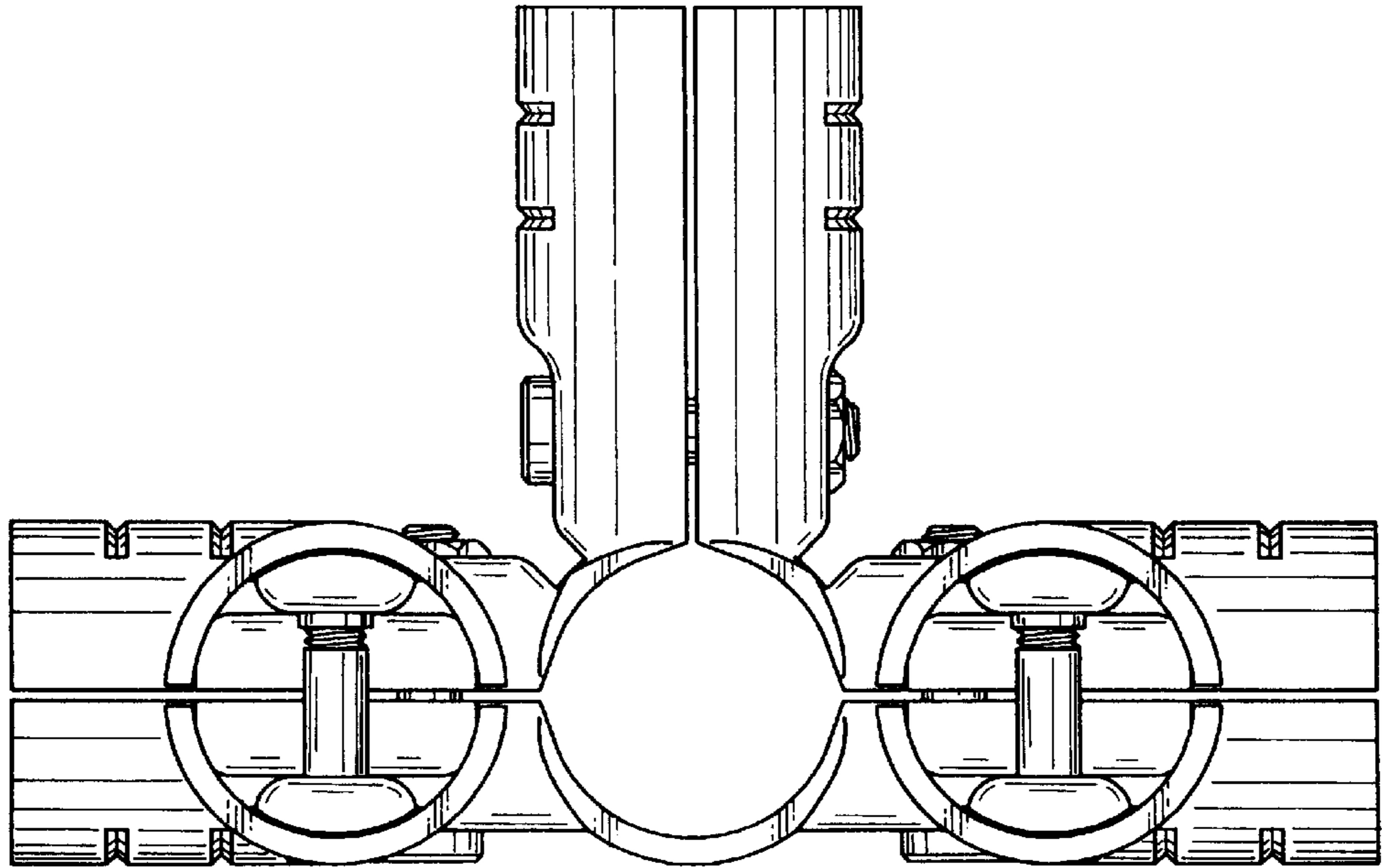


FIG. 3

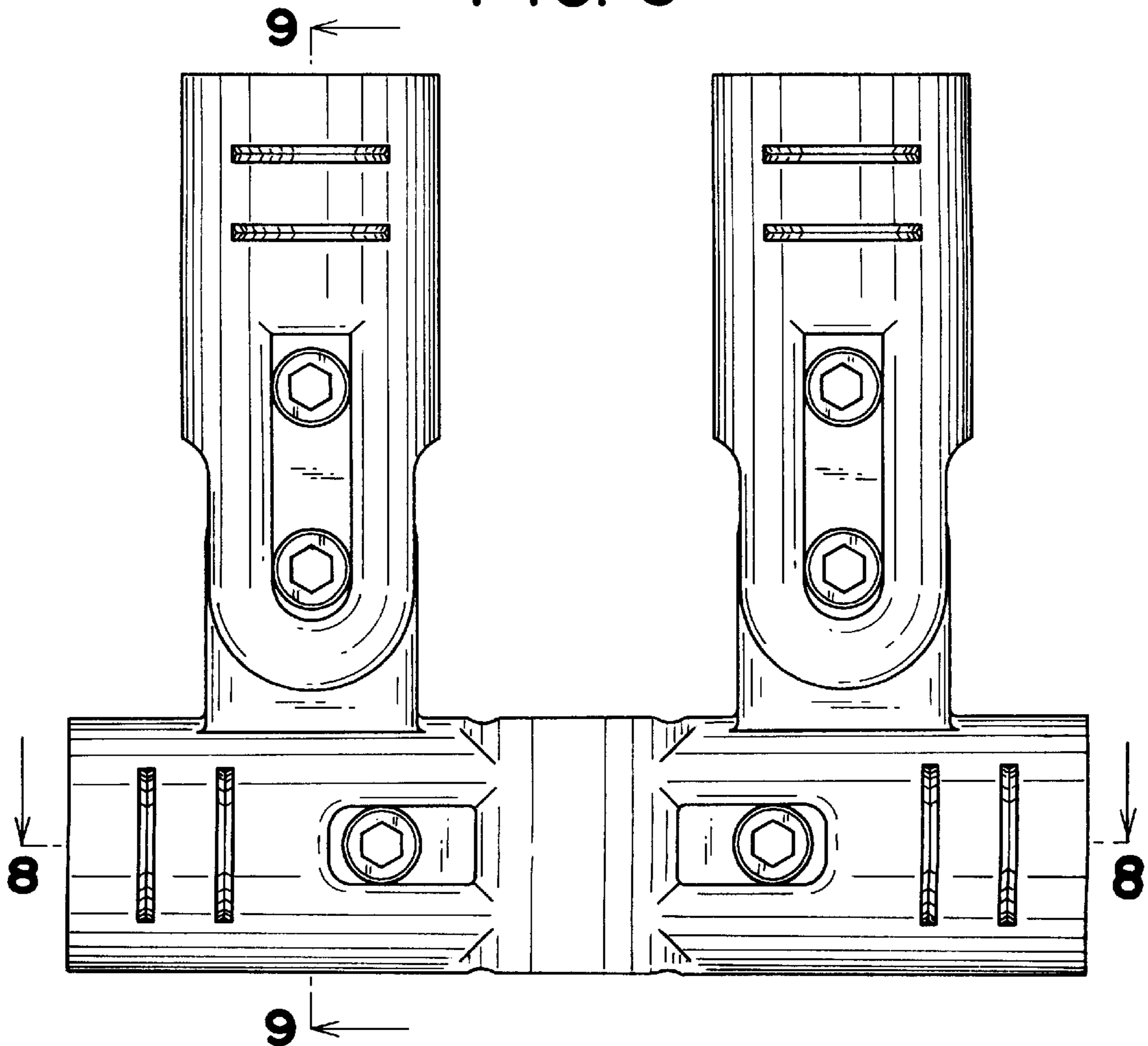


FIG. 4

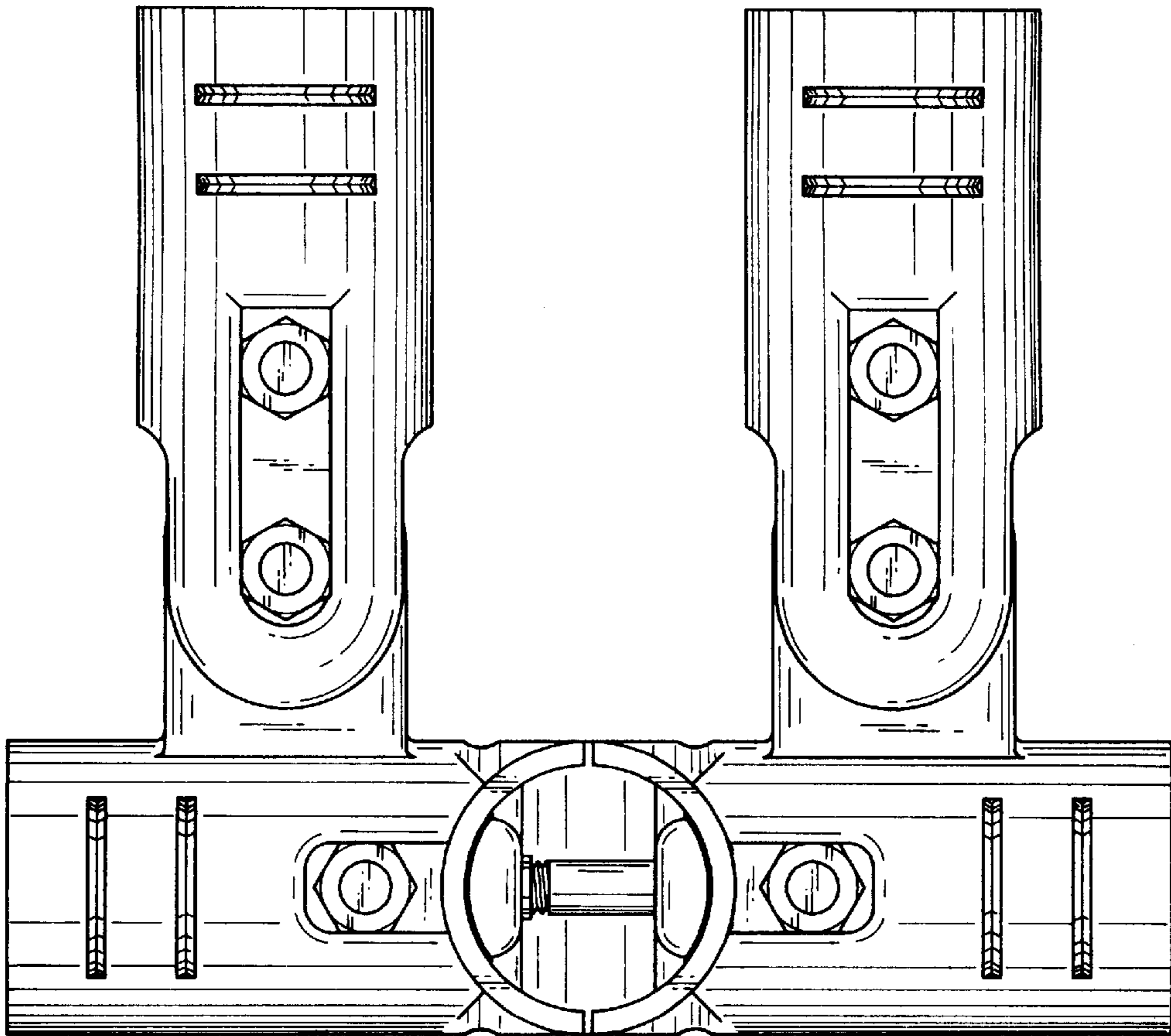


FIG. 5

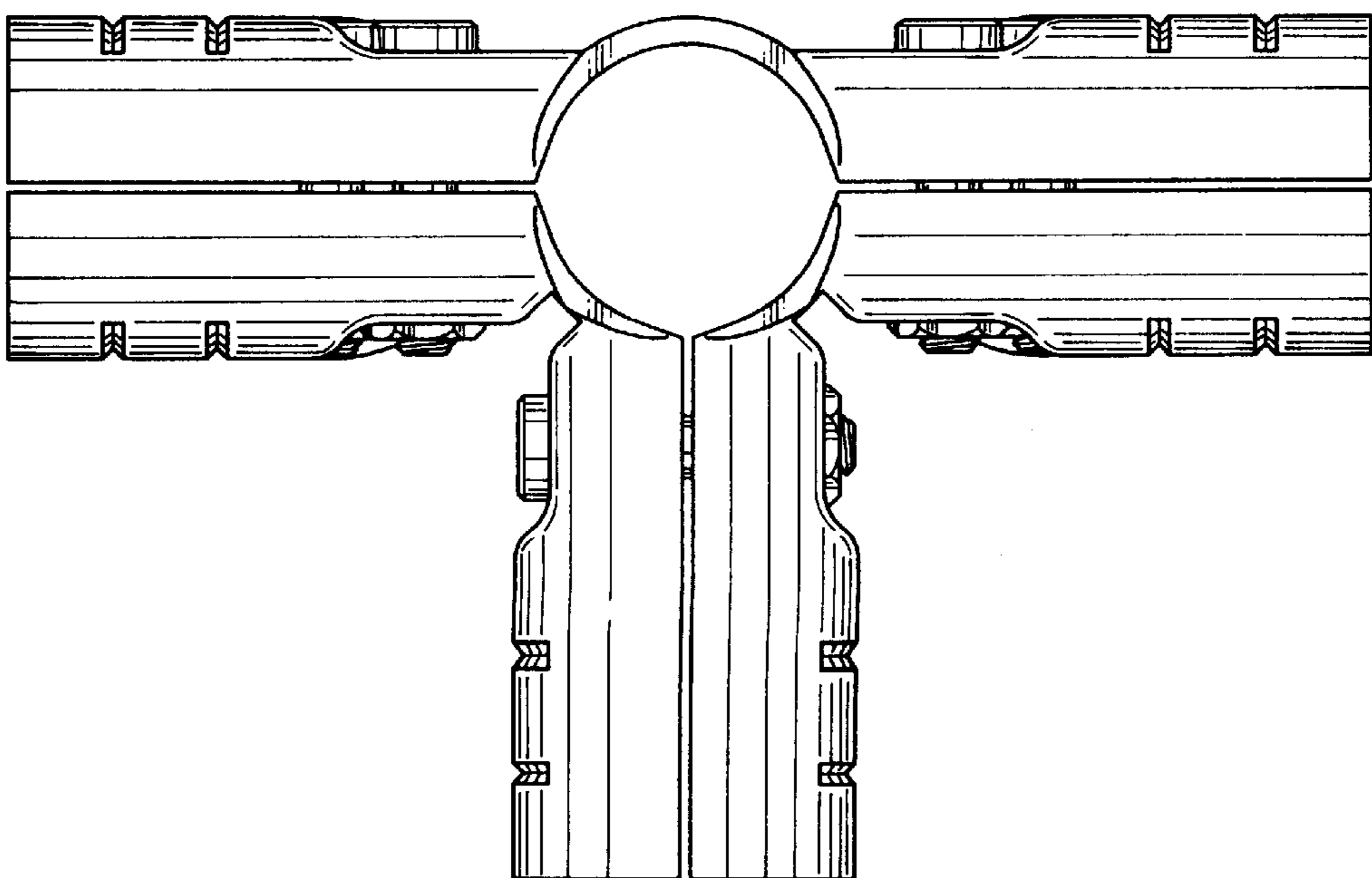


FIG. 6

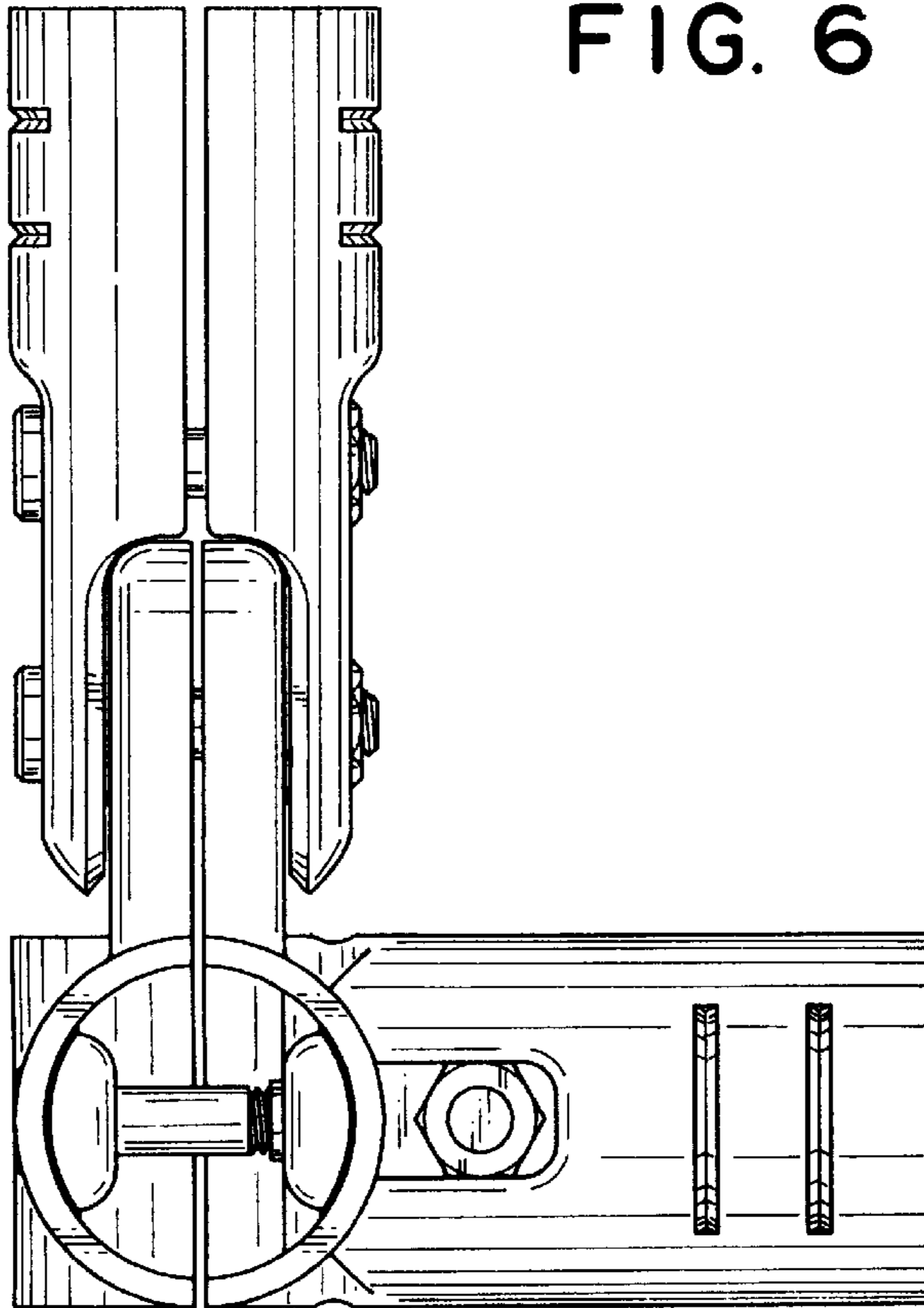


FIG. 7

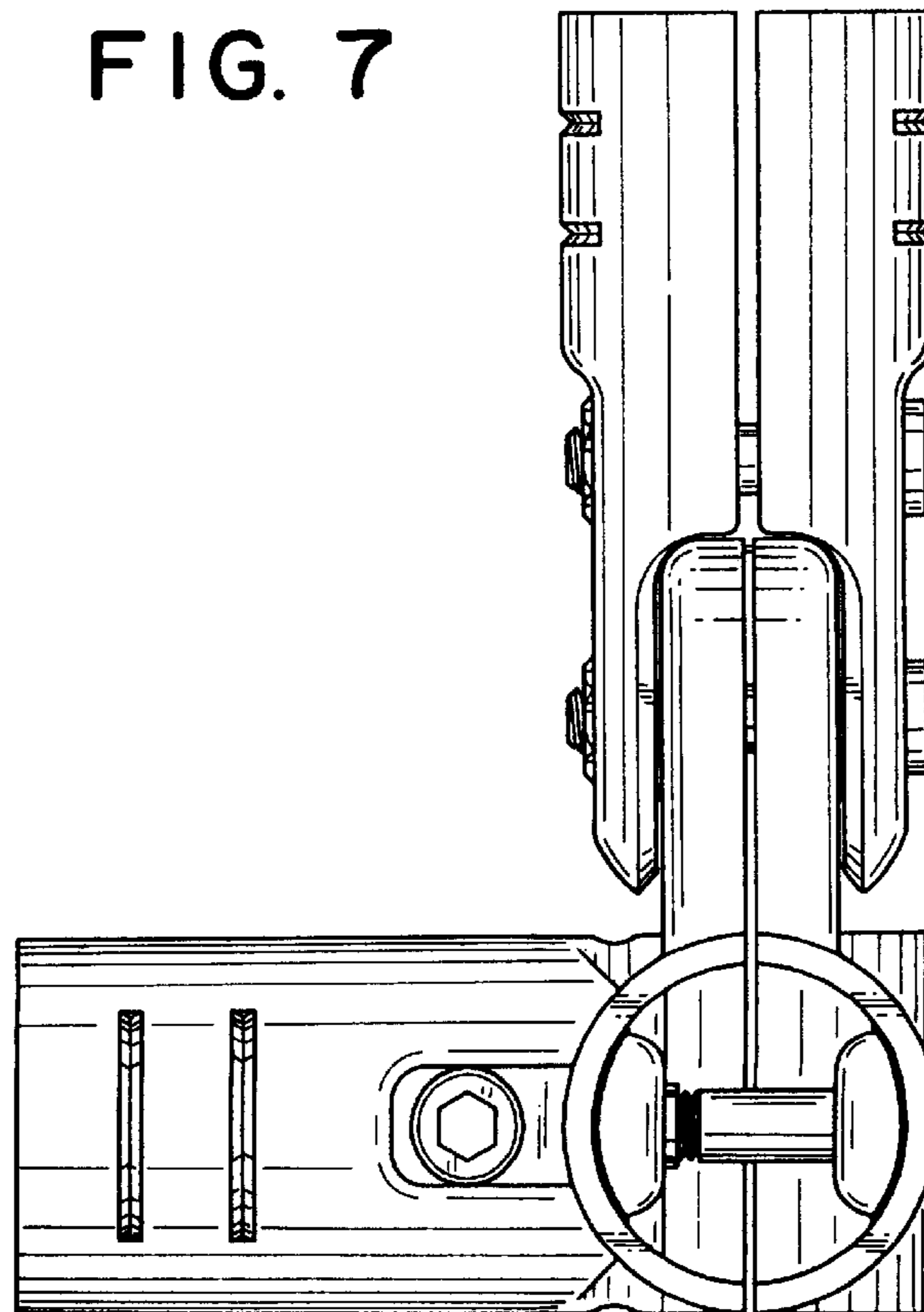


FIG. 8

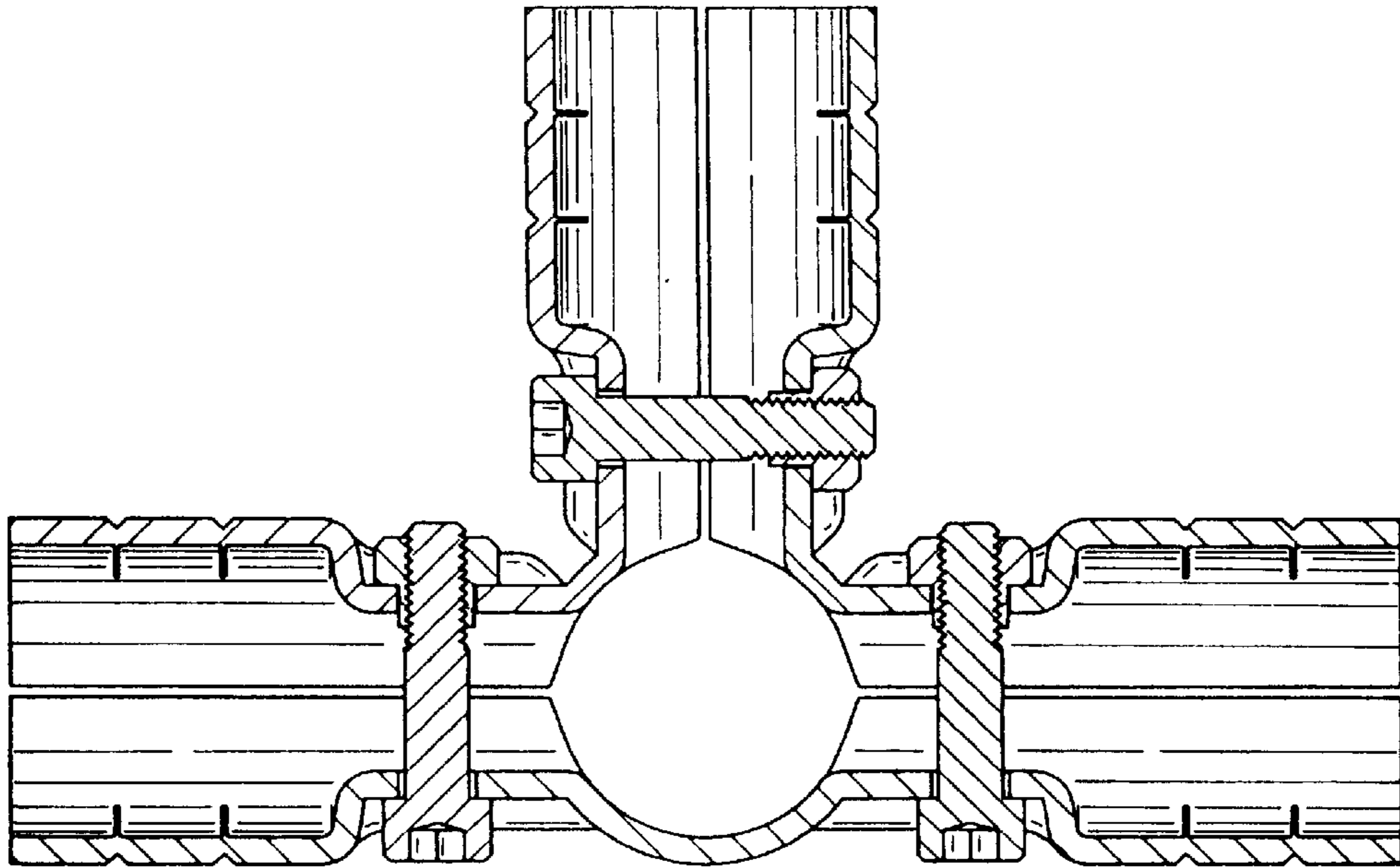


FIG. 9

