



US00D412100S

# United States Patent [19]

Kruse et al.

[11] Patent Number: Des. 412,100

[45] Date of Patent: \*\* Jul. 20, 1999

[54] HOOK

[76] Inventors: James J. Kruse, 2830 Pine Rd., Mound, Minn. 55364; Robert J. McDougall, 1291 Castle Ct., Golden Valley, Minn. 55427

[\*\*] Term: 14 Years

[21] Appl. No.: 29/086,347

[22] Filed: Apr. 10, 1998

[51] LOC (6) Cl. .... 08-05

[52] U.S. Cl. .... D8/367

[58] Field of Search ..... D8/367, 373; 248/301, 248/304, 214-215, 339

### [56] References Cited

#### U.S. PATENT DOCUMENTS

D. 176,759 1/1956 Frank ..... D8/367

Primary Examiner—Holly Baynham

Attorney, Agent, or Firm—Gerald E. Helget; Mackall, Crouse & Moore, PLC

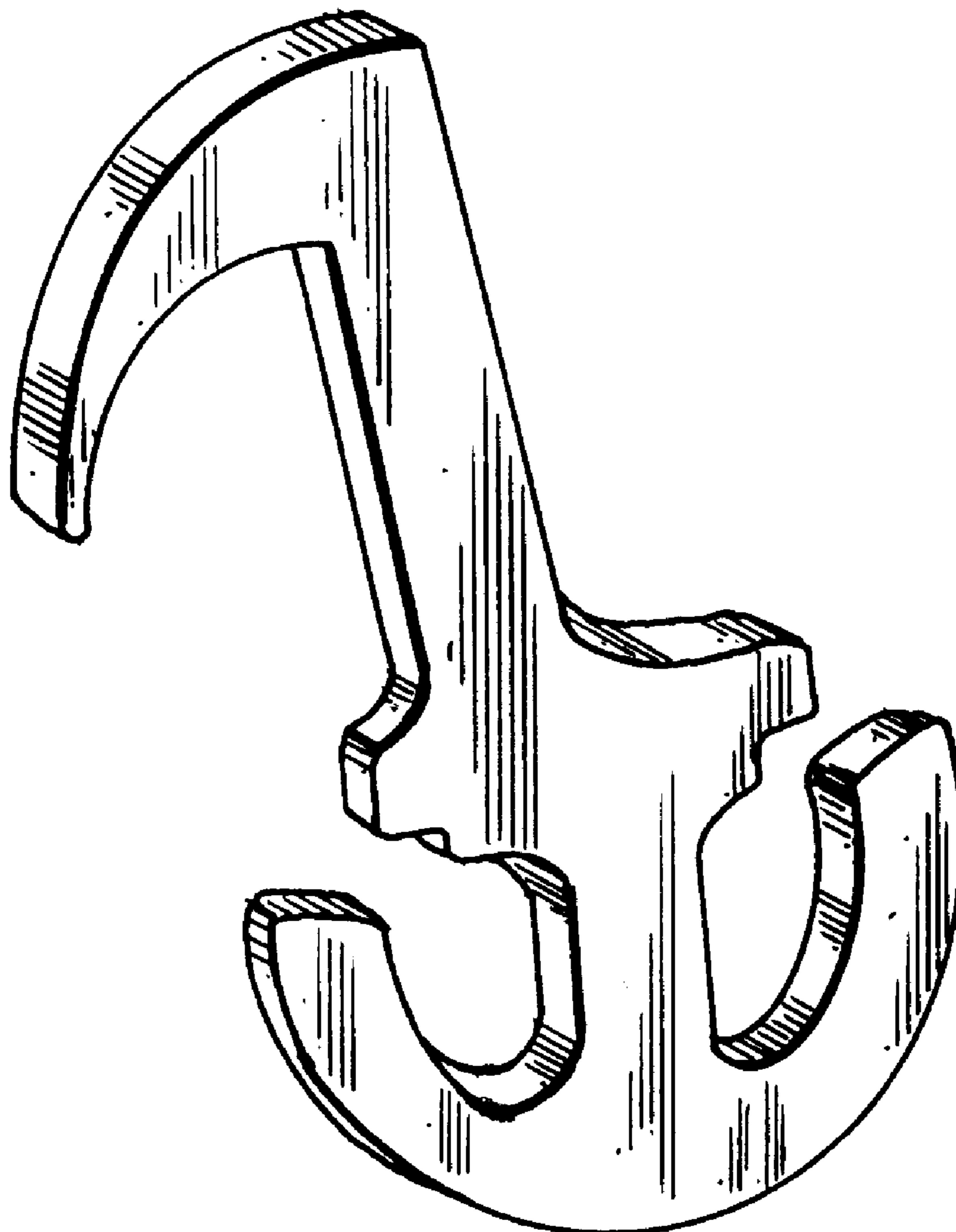
### [57] CLAIM

The ornamental design for a hook, as shown and described.

### DESCRIPTION

FIG. 1 is a front elevational view of a hook showing my new design, which is a mirror image of the rear elevational view; FIG. 2 is a right side elevational view taken along lines 2—2 of FIG. 1; FIG. 3 is a left side elevational view taken along lines 3—3 of FIG. 1; FIG. 4 is a top plan view; FIG. 5 is a bottom plan view; FIG. 6 is a perspective view; and, FIG. 7 is an environmental perspective view with the broken line showing of supporting boxes and other hooks being for illustrative purposes only and forming no part of the claimed design.

1 Claim, 2 Drawing Sheets



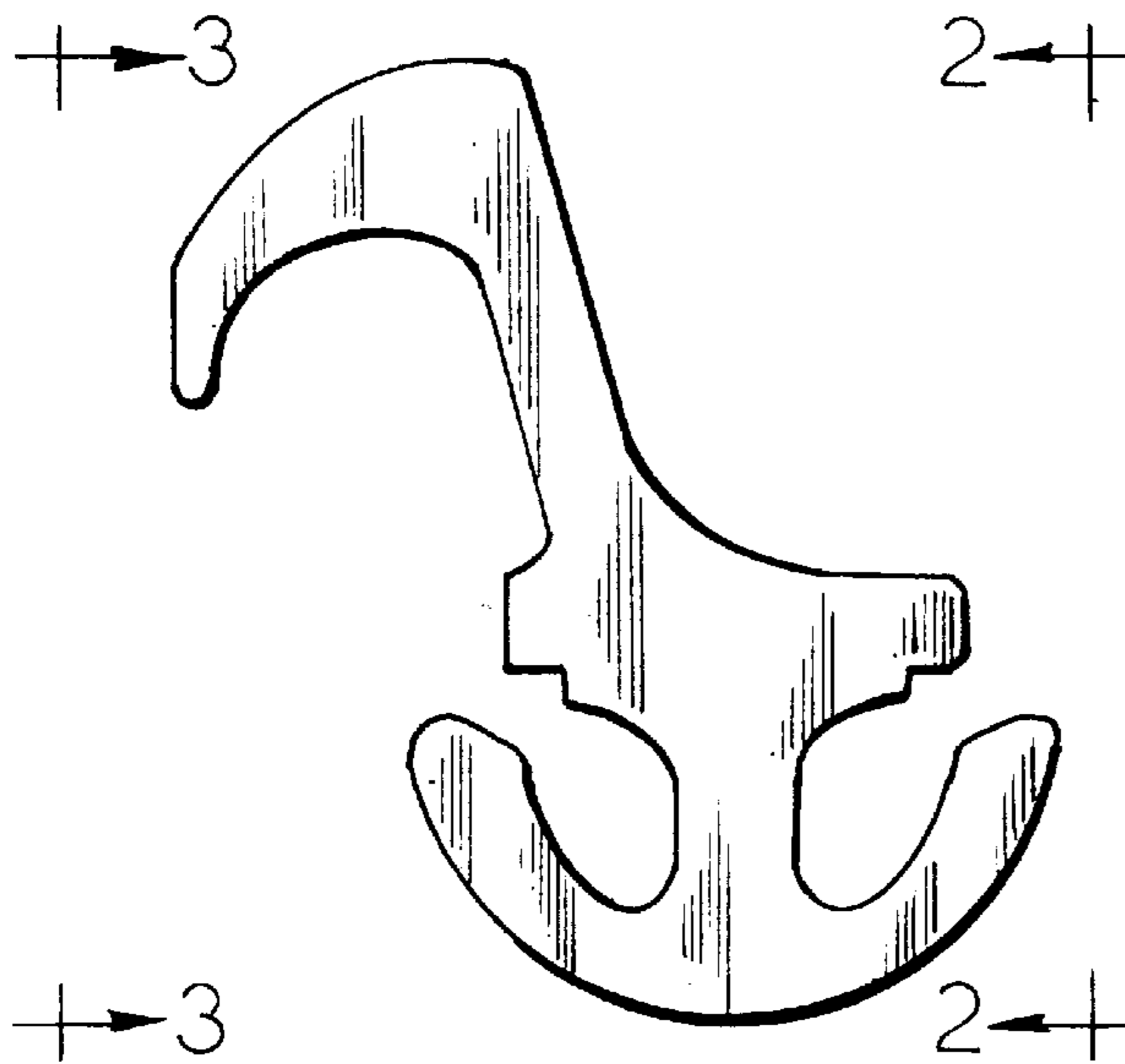


Fig. 1.



Fig. 2. Fig. 3.

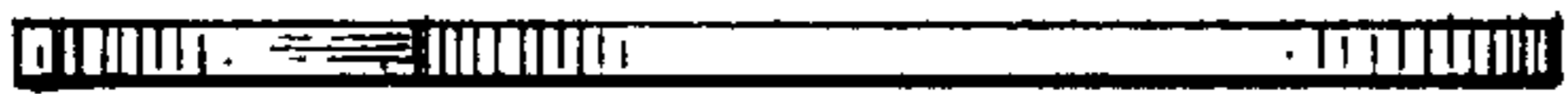


Fig. 4.

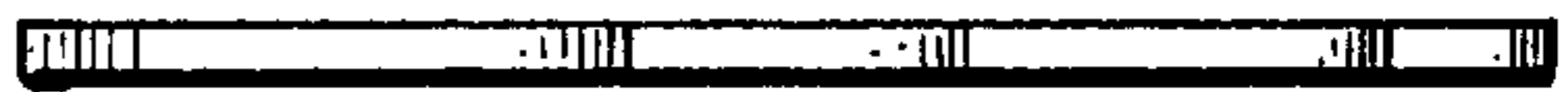


Fig. 5.

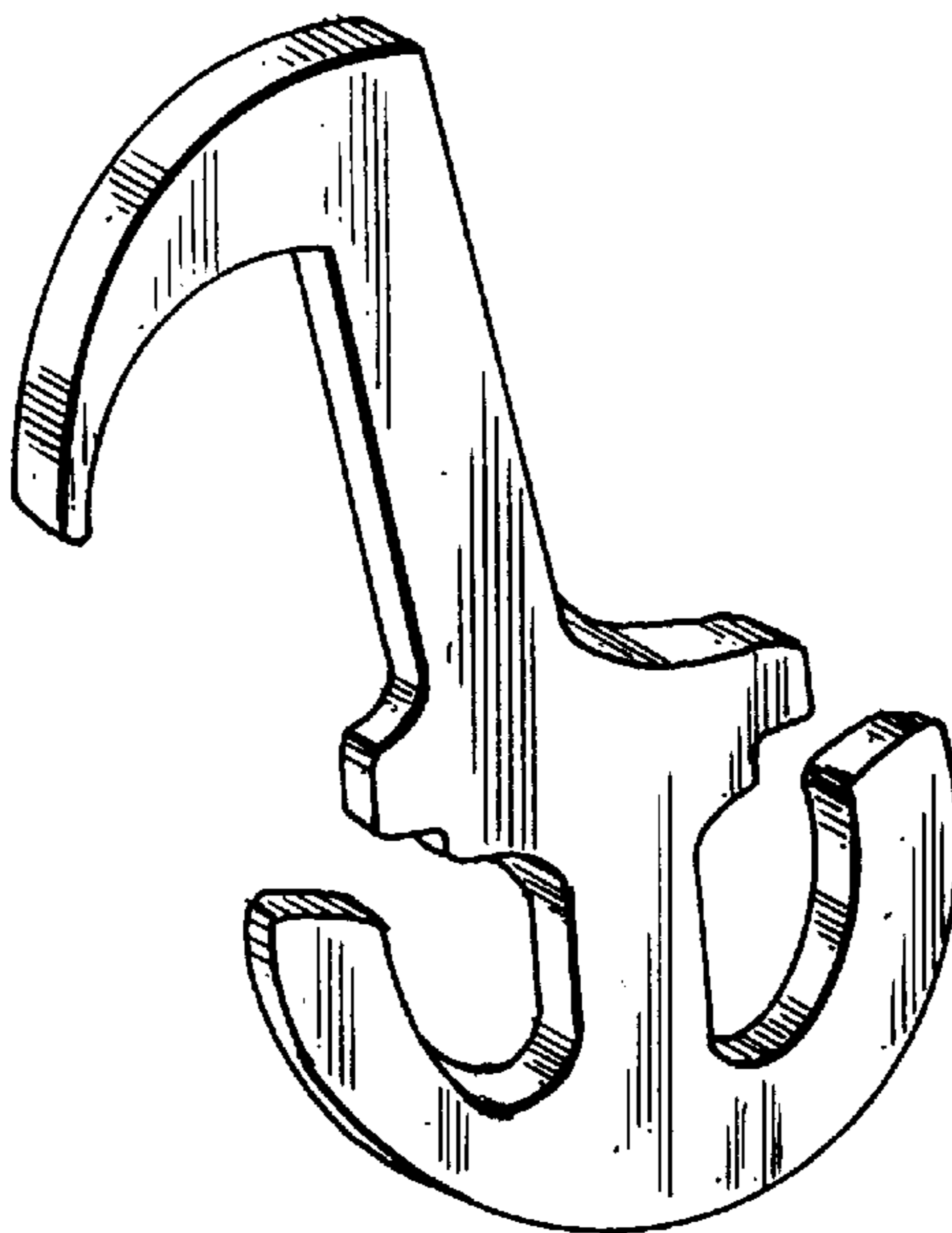
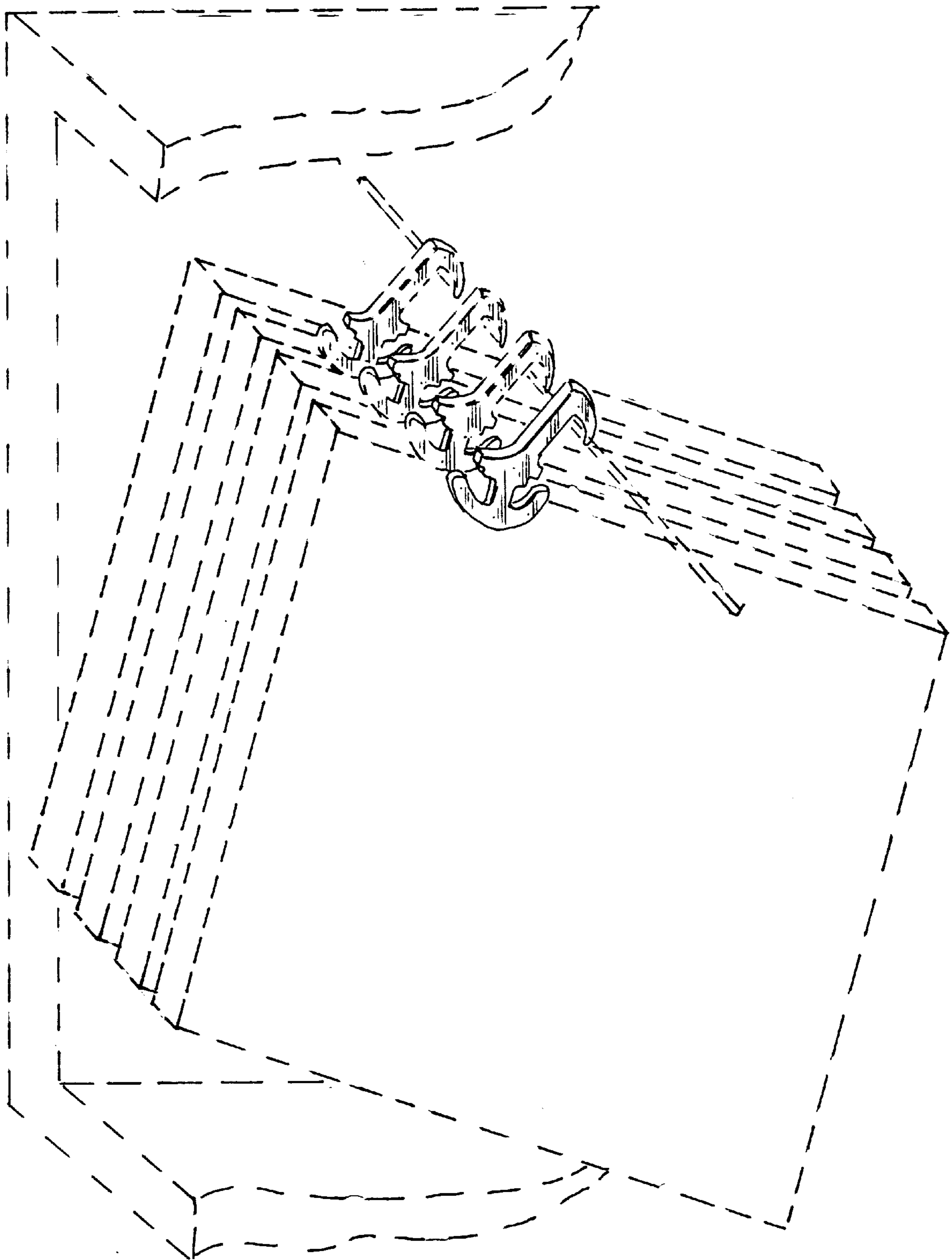


Fig. 6.



*Fig. 7.*