



US00D412099S

United States Patent [19]

Korhonen

[11] Patent Number: **Des. 412,099**

[45] Date of Patent: **** Jul. 20, 1999**

[54] **LOCKING LATCH FOR ELECTRONICS AND INSTRUMENTATION ENCLOSURE**

D. 383,664	9/1997	Bennett	D8/331
4,756,175	7/1988	Matsushima et al.	70/57
5,206,626	4/1993	Minasy et al.	70/57.1

[75] Inventor: **Olli Korhonen**, Espoo, Finland

Primary Examiner—Pamela Burgess
Attorney, Agent, or Firm—Finnegan, Henderson, Farabow, Garrett & Dunner, L.L.P.

[73] Assignee: **Fibox Oy AB**, Jorvas, Finland

[**] Term: **14 Years**

[57] CLAIM

[21] Appl. No.: **29/095,230**

The ornamental design for the locking latch for electronics and instrumentation enclosure, as shown and described.

[22] Filed: **Oct. 19, 1998**

DESCRIPTION

[30] Foreign Application Priority Data

Apr. 17, 1998 [FI] Finland M19980288

FIG. 1 is a perspective front, top and right side view of the locking latch for electronics and instrumentation enclosure showing my new design;

[51] **LOC (6) Cl.** **08-07**

[52] **U.S. Cl.** **D8/331**

FIG. 2 is a perspective rear, bottom and left side view thereof;

[58] **Field of Search** D8/331, 330, 343, D8/346; D13/123; 70/57, 57.1, 58, 14, 232, 174, 271, 277, 280

FIG. 3 is a right side view thereof;

FIG. 4 is a left side view of other side thereof;

FIG. 5 is a front view thereof;

FIG. 6 is a rear view thereof;

FIG. 7 is a top view thereof; and,

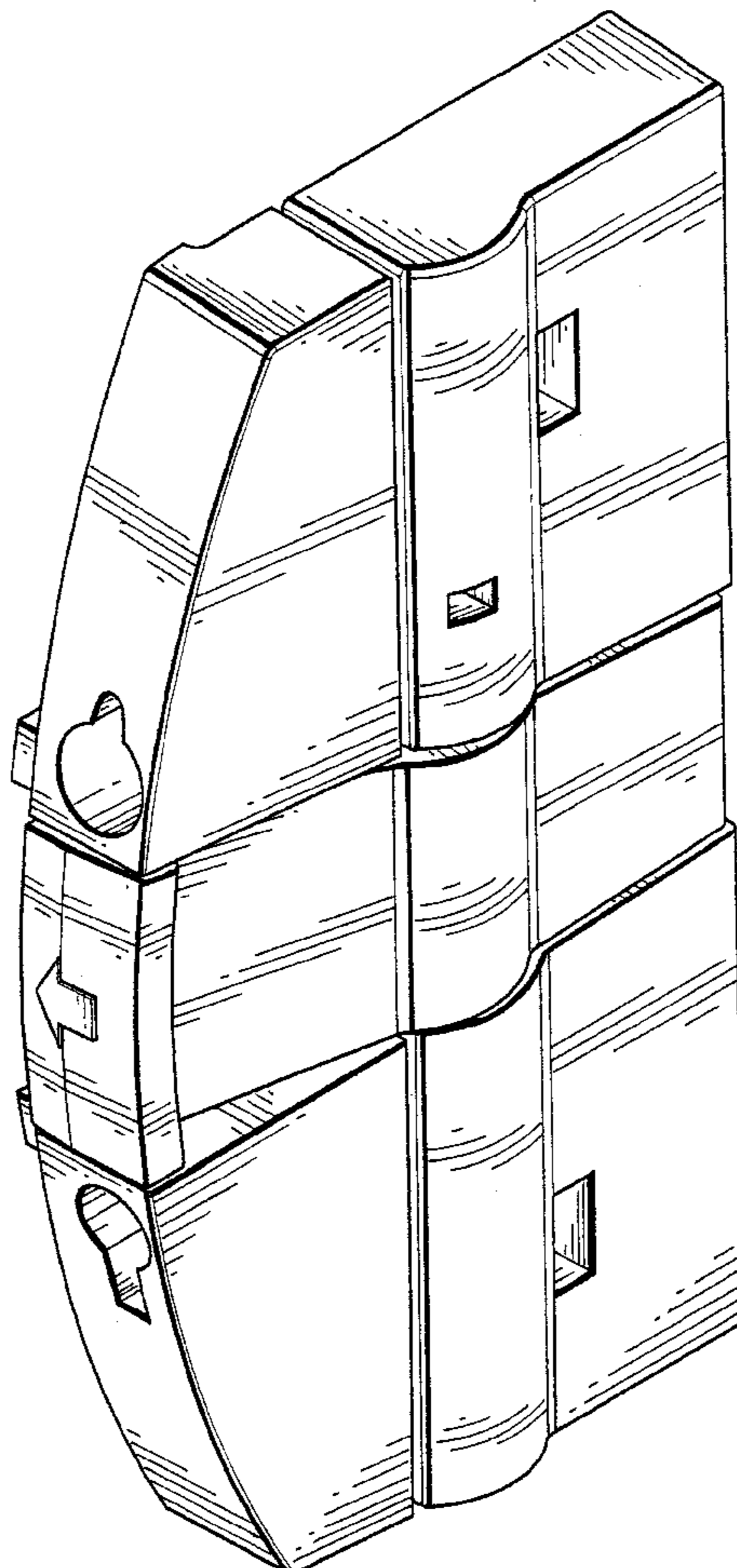
FIG. 8 is a bottom view thereof.

[56] References Cited

U.S. PATENT DOCUMENTS

D. 299,905	2/1989	Fish et al.	D8/331
D. 344,669	3/1994	Hansen	D8/331

1 Claim, 5 Drawing Sheets



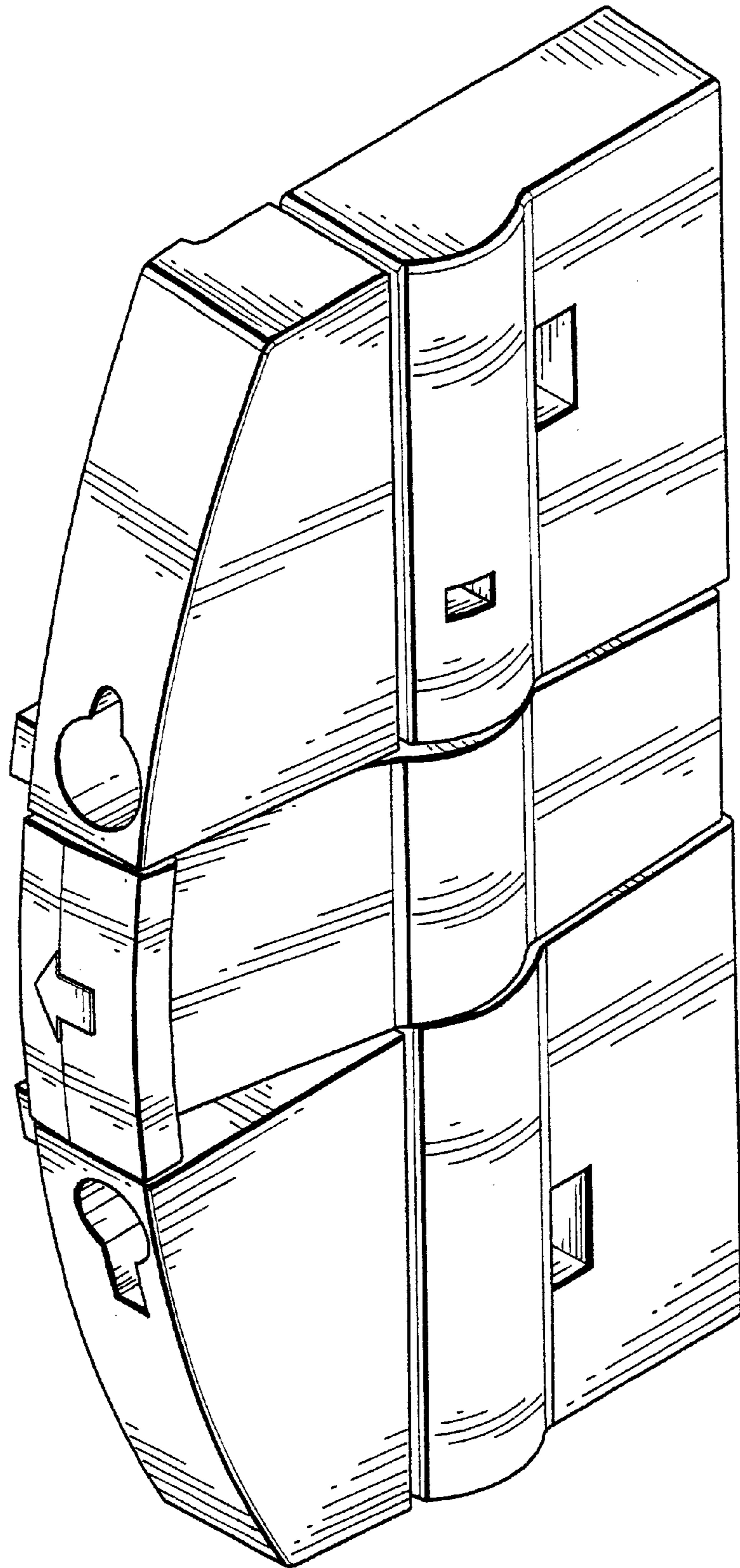


FIG. 1

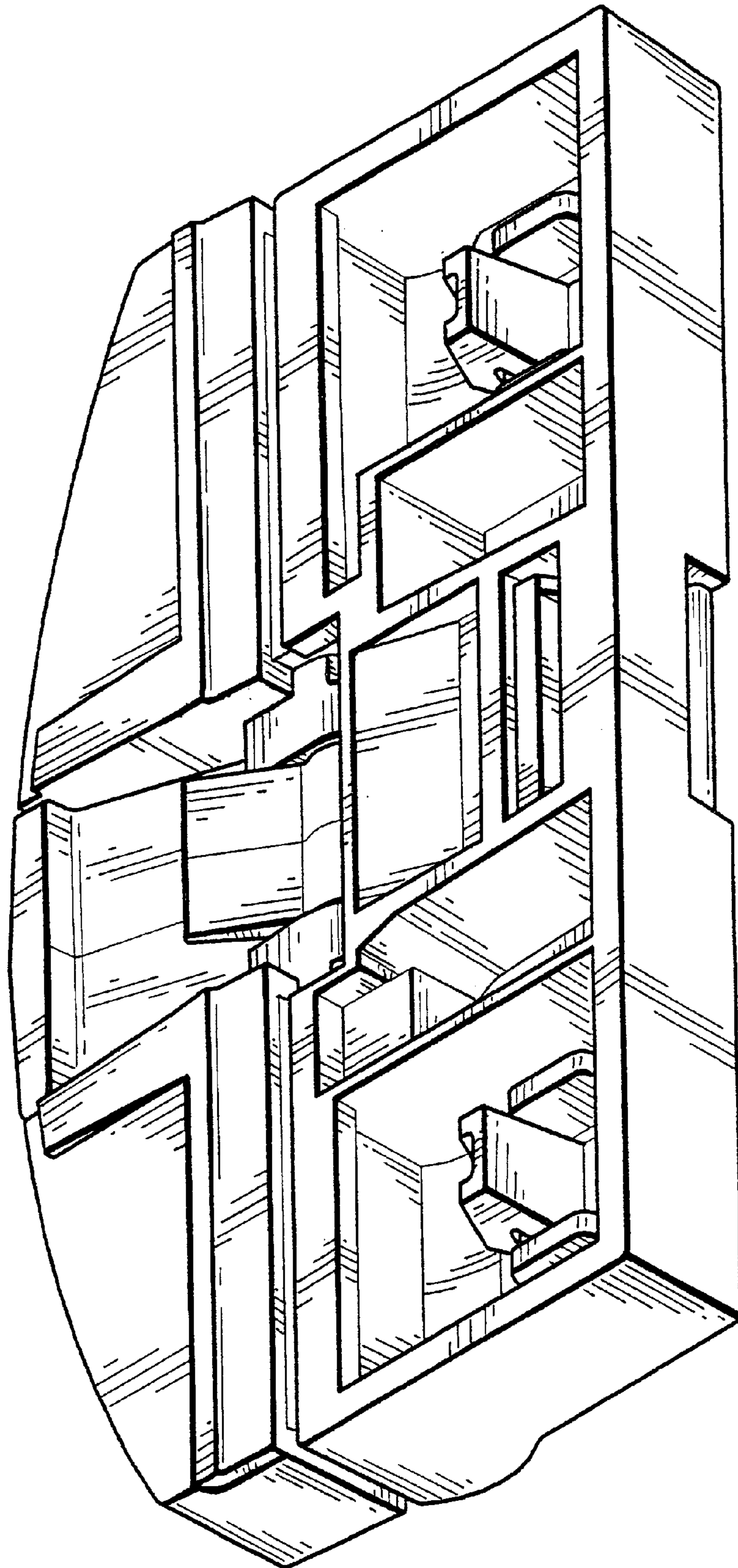


FIG. 2

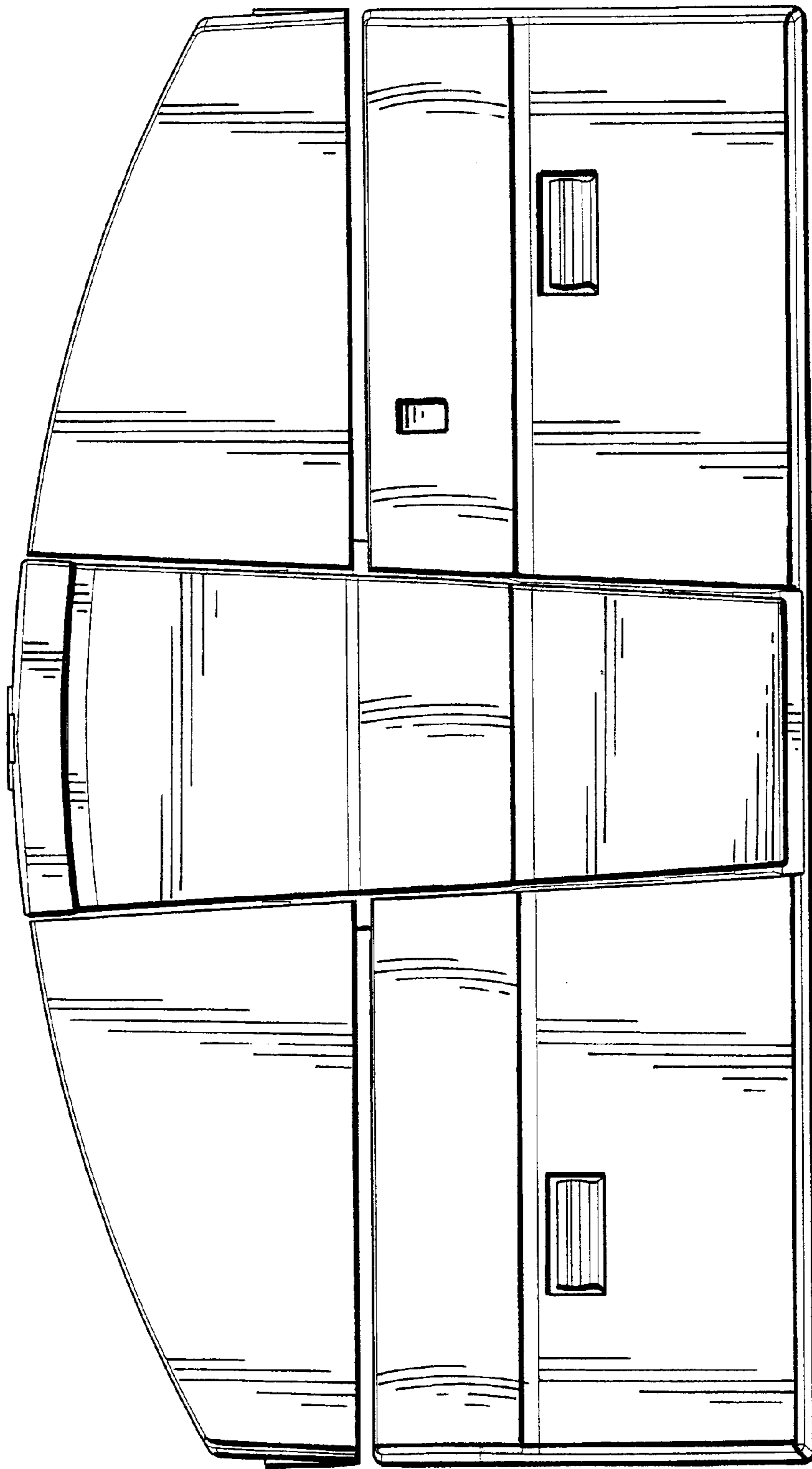


FIG. 3

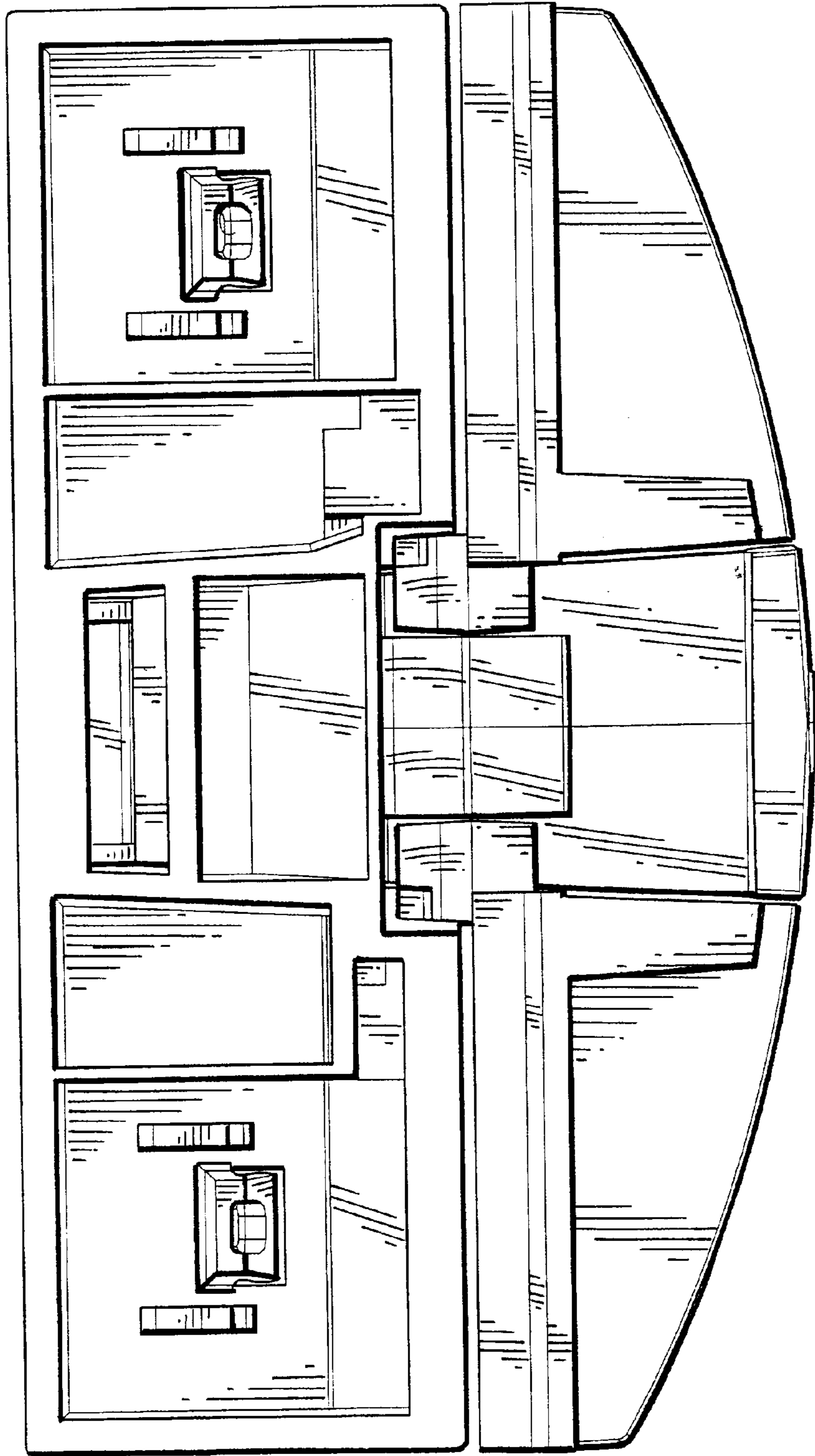


FIG. 4

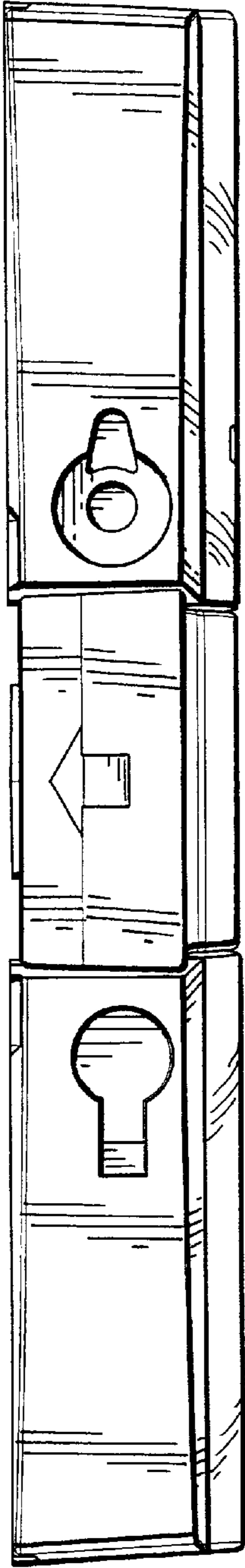


FIG. 5

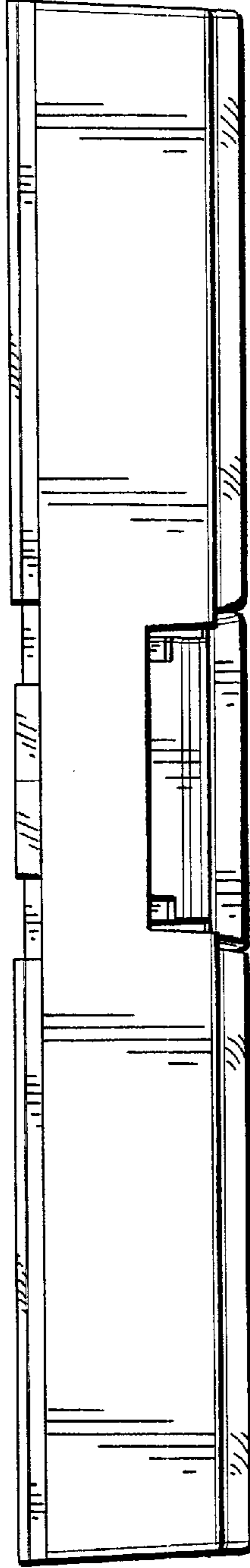


FIG. 6

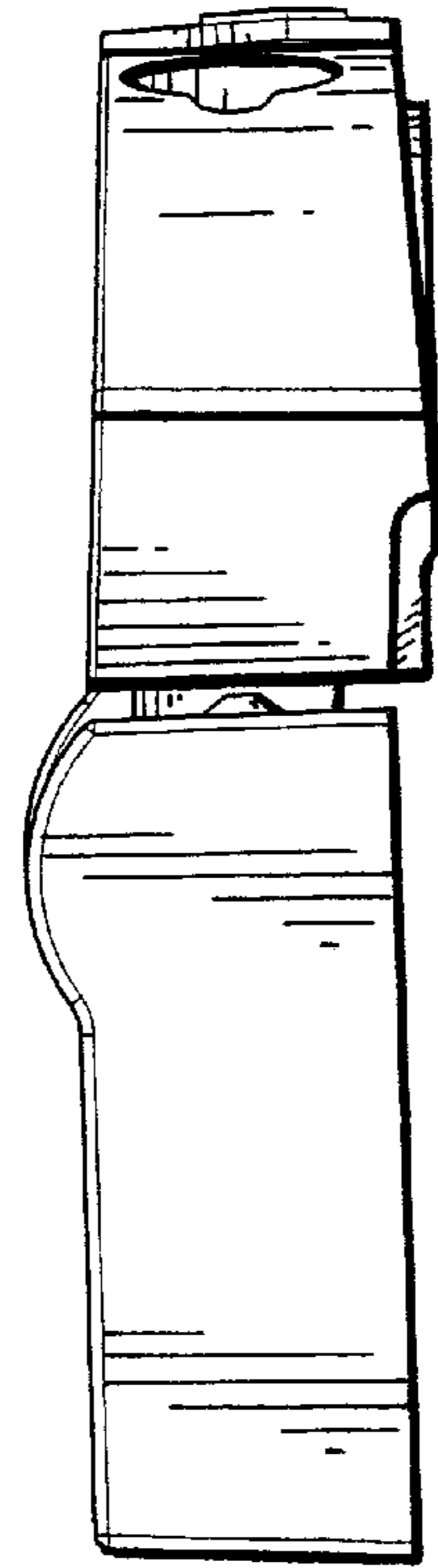


FIG. 7

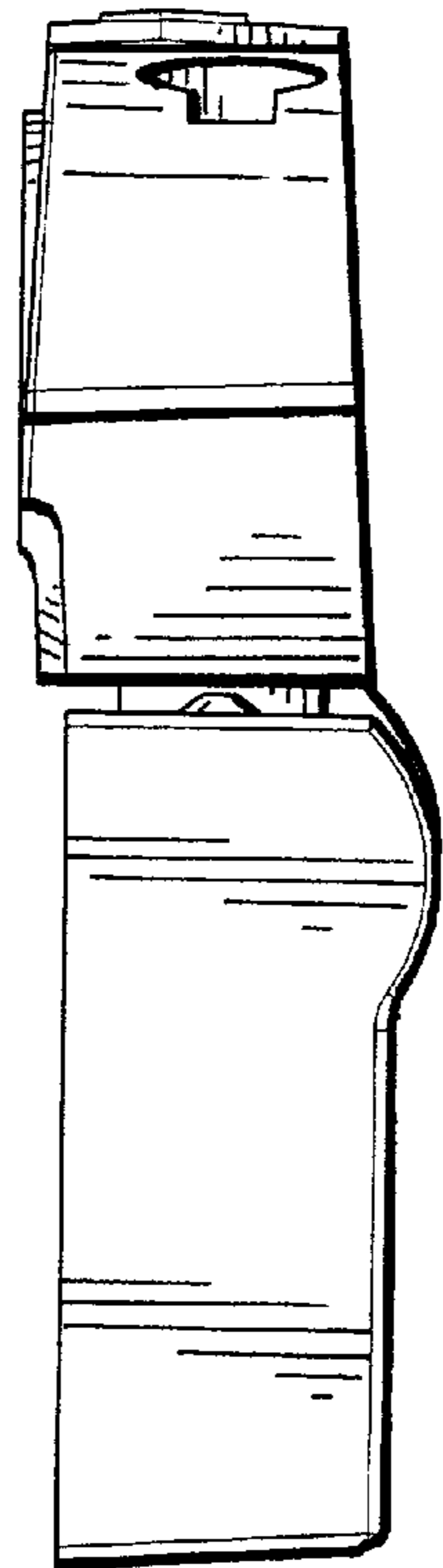


FIG. 8