



US00D412087S

United States Patent [19]
Spencer

[11] **Patent Number: Des. 412,087**

[45] **Date of Patent: ** Jul. 20, 1999**

[54] **BEVERAGE BOTTLE**

[76] Inventor: **Richard Randall Spencer**, 12612
Metate La., Poway, Calif. 92064

[**] Term: **14 Years**

[21] Appl. No.: **29/086,613**

[22] Filed: **Apr. 16, 1998**

[51] **LOC (6) Cl.** **07-01**

[52] **U.S. Cl.** **D7/510; D7/511**

[58] **Field of Search** D7/510, 511, 523,
D7/509, 533; D9/537, 525, 530, 538; 270/906,
669, 670, 671; 210/120

[56] **References Cited**

U.S. PATENT DOCUMENTS

D. 228,176 8/1973 Plummer D9/538
D. 350,672 9/1994 Egger et al. D7/510

D. 366,809 2/1996 Green D7/510
D. 367,206 2/1996 Green D7/511
D. 370,828 6/1996 Green D7/510
D. 379,151 5/1997 Stevens D9/538 X
D. 387,902 12/1997 Yin D7/510 X
D. 389,478 1/1998 Spencer D7/510
D. 391,448 3/1998 Winer et al. D7/510
5,545,315 8/1996 Loneman 210/120

Primary Examiner—M. N. Pandozzi
Attorney, Agent, or Firm—Harris F. Brotman

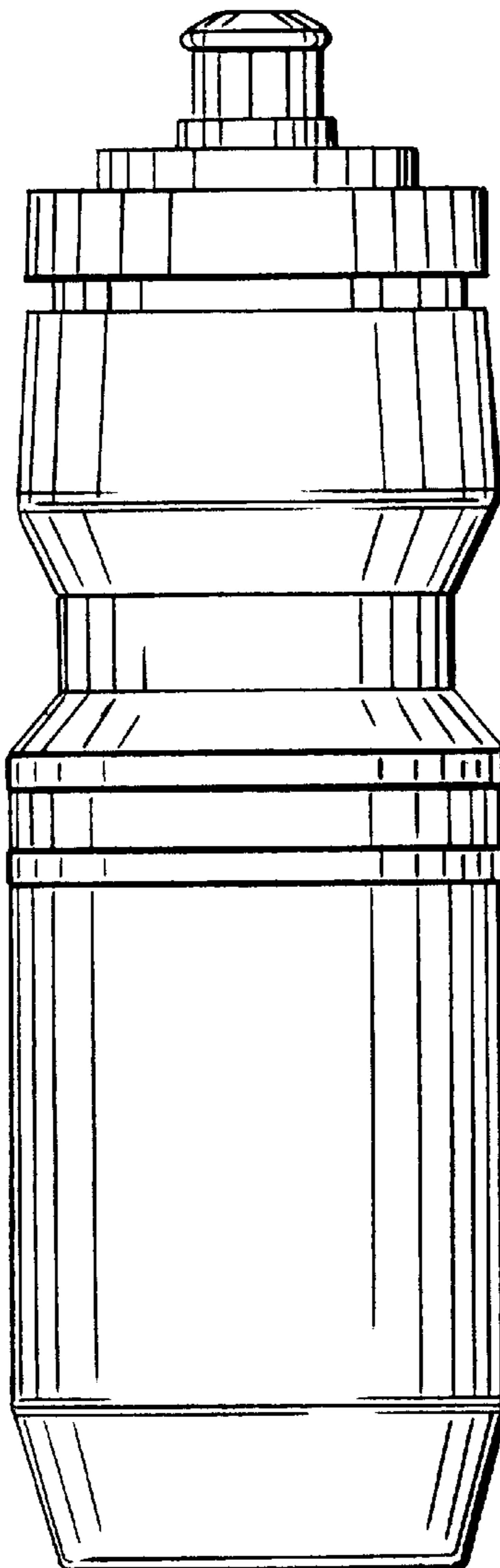
[57] **CLAIM**

I claim the ornamental design for beverage bottle, as shown.

DESCRIPTION

FIG. 1 is a perspective view of the beverage bottle.
FIG. 2 is a planar view of the beverage bottle.
FIG. 3 is a top view of the beverage bottle; and,
FIG. 4 is a bottom view of the beverage bottle.

1 Claim, 1 Drawing Sheet



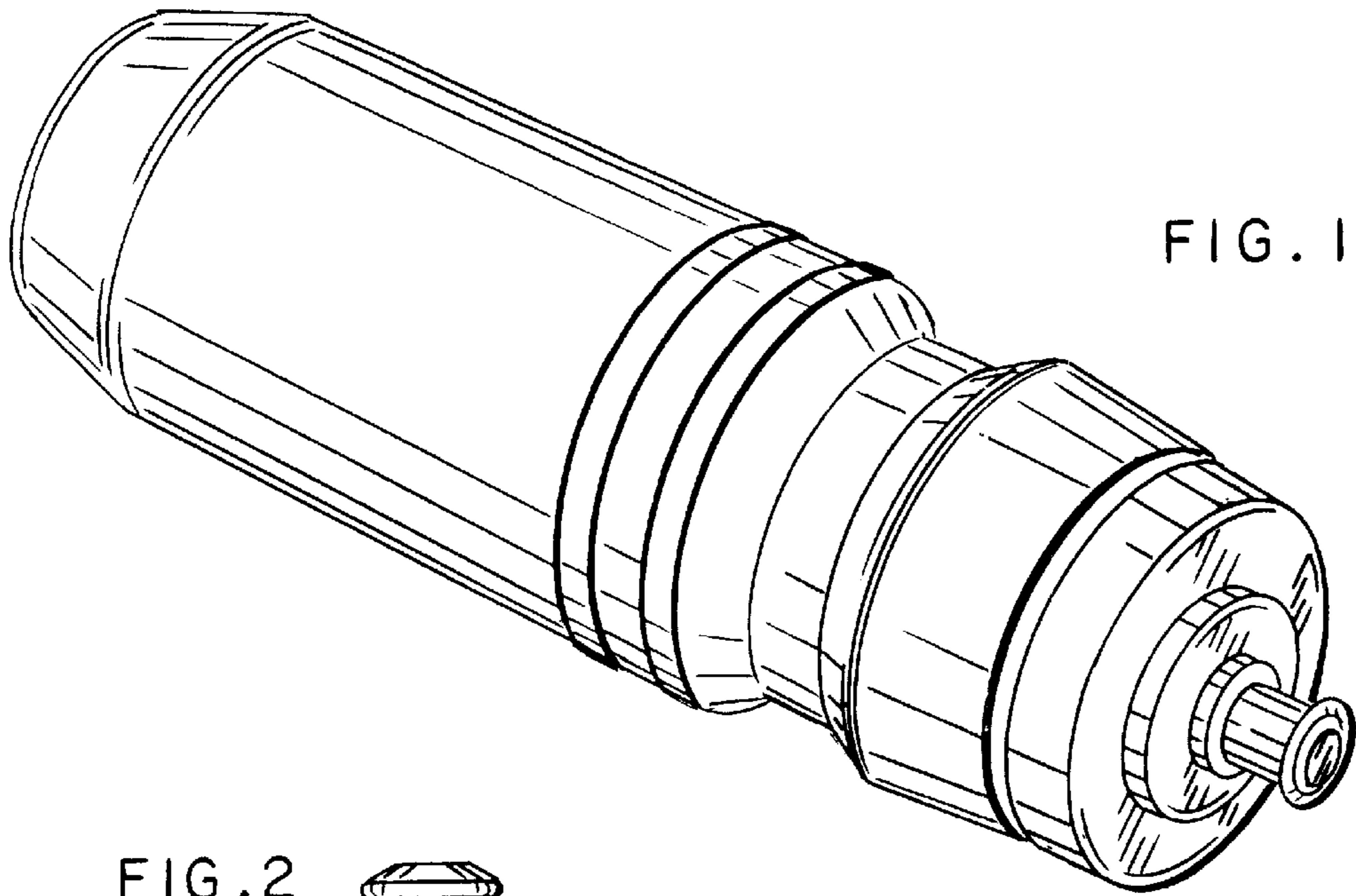


FIG. 1

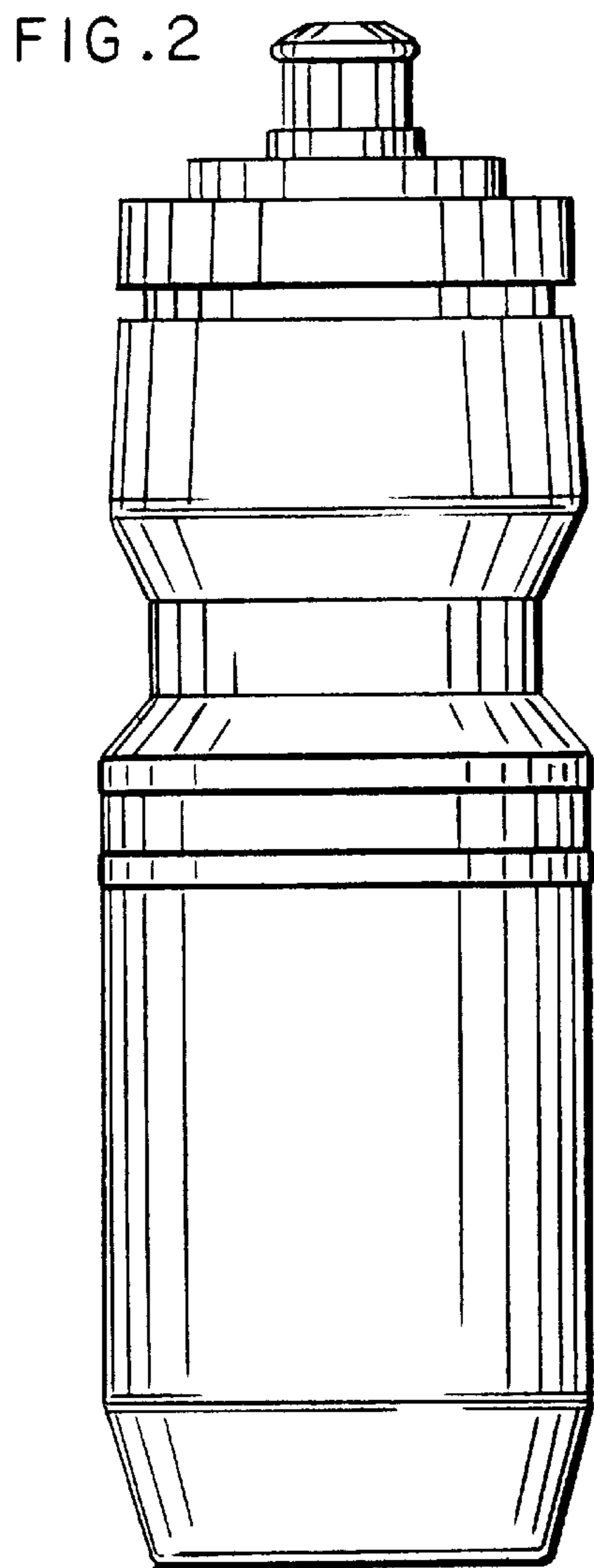


FIG. 2

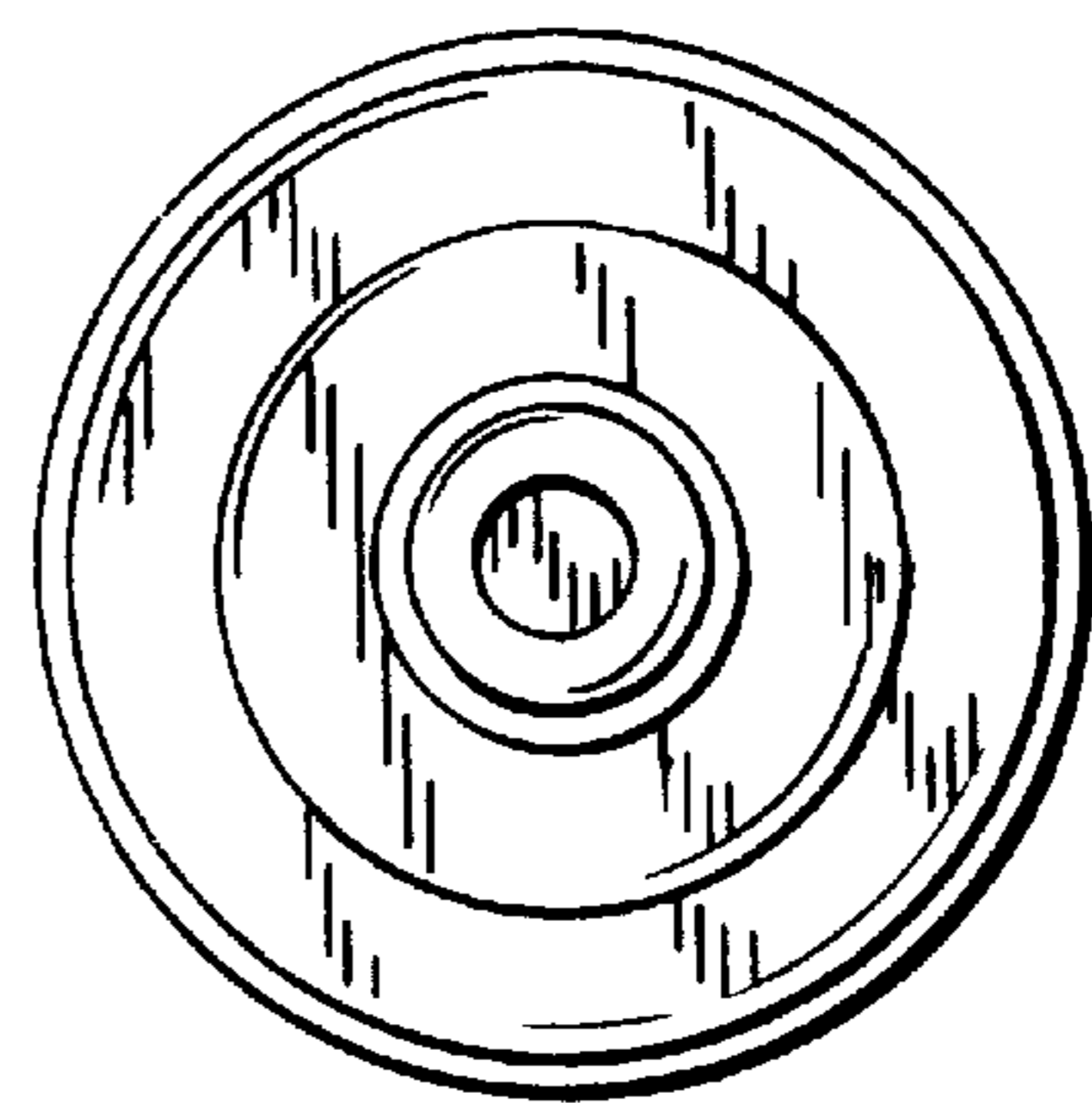


FIG. 3

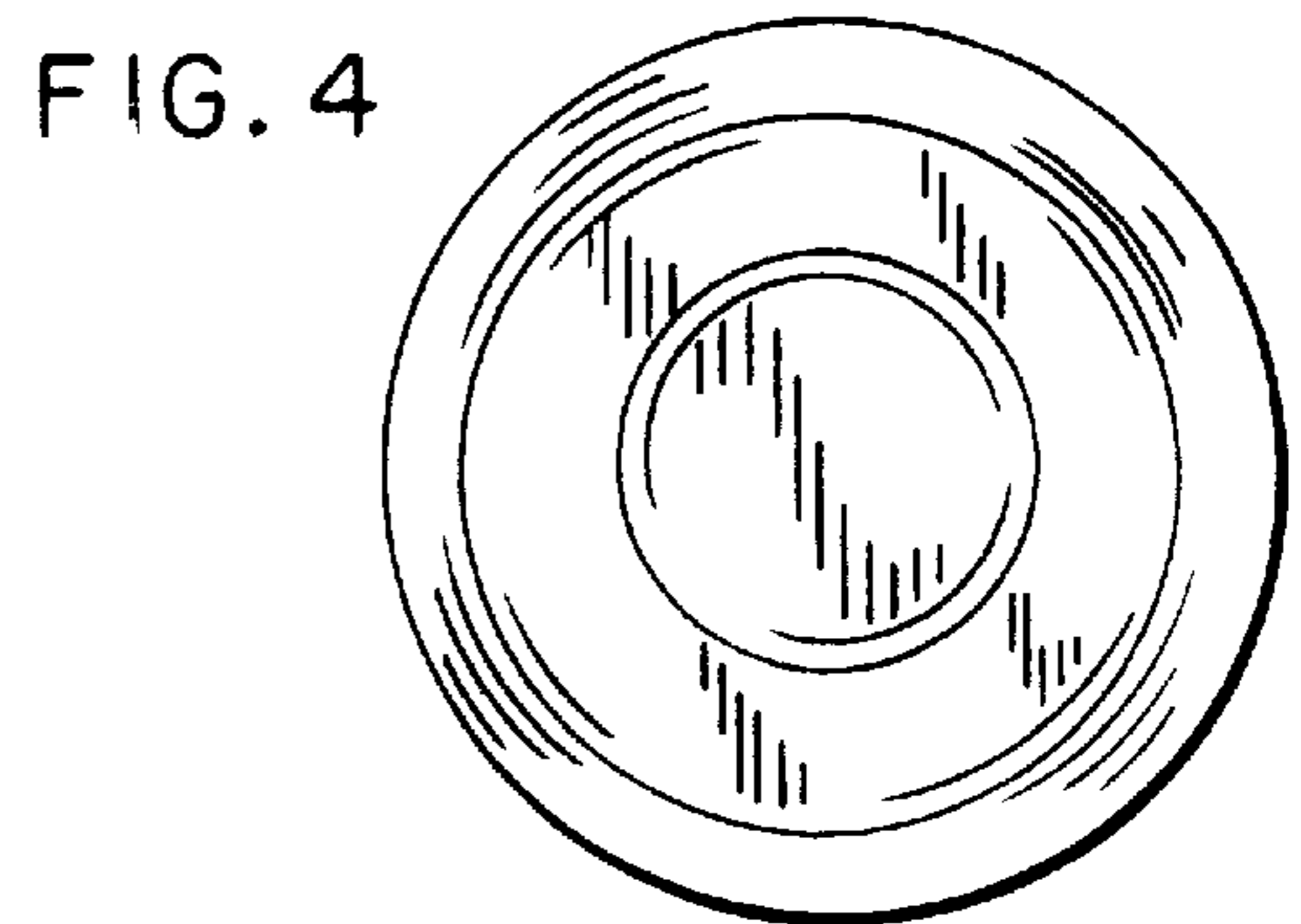


FIG. 4